



US00D740200S

(12) **United States Design Patent**
Doljanu

(10) **Patent No.:** **US D740,200 S**

(45) **Date of Patent:** **** Oct. 6, 2015**

(54) **AMPHIBIOUS WHEEL**

(71) Applicant: **Dan Doljanu**, Quebec (CA)

(72) Inventor: **Dan Doljanu**, Quebec (CA)

(**) Term: **14 Years**

(21) Appl. No.: **29/474,402**

(22) Filed: **Sep. 9, 2014**

(51) **LOC (10) Cl.** **12-06**

(52) **U.S. Cl.**
USPC **D12/317; D12/3; D12/306**

(58) **Field of Classification Search**
USPC D12/3, 300, 306, 317
CPC B63H 1/00; B63H 1/04; B63H 5/00;
B63H 5/02; B63H 5/04; B63H 9/00; B63H
9/04

See application file for complete search history.

(56) **References Cited**

U.S. PATENT DOCUMENTS

D331,563 S * 12/1992 Drake D12/317
5,427,554 A * 6/1995 Foglia 440/26

5,785,564 A * 7/1998 Von Ohain et al. 440/90
6,247,981 B1 * 6/2001 Farley et al. 440/90
D544,429 S * 6/2007 Farber et al. D12/306
D696,179 S * 12/2013 Lepper D12/317
2008/0176465 A1 * 7/2008 Lekhtman 440/90

* cited by examiner

Primary Examiner — Cynthia M Chin

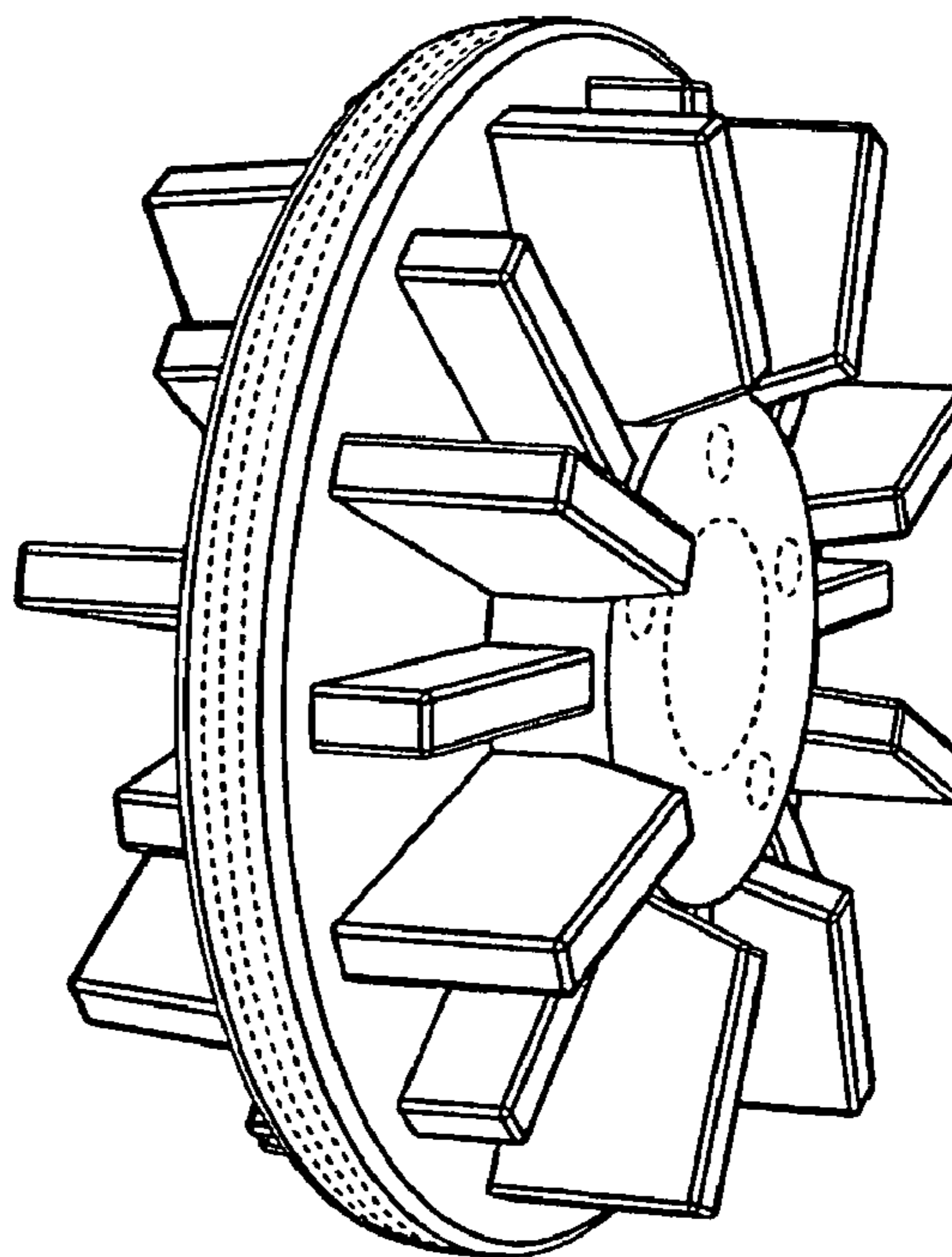
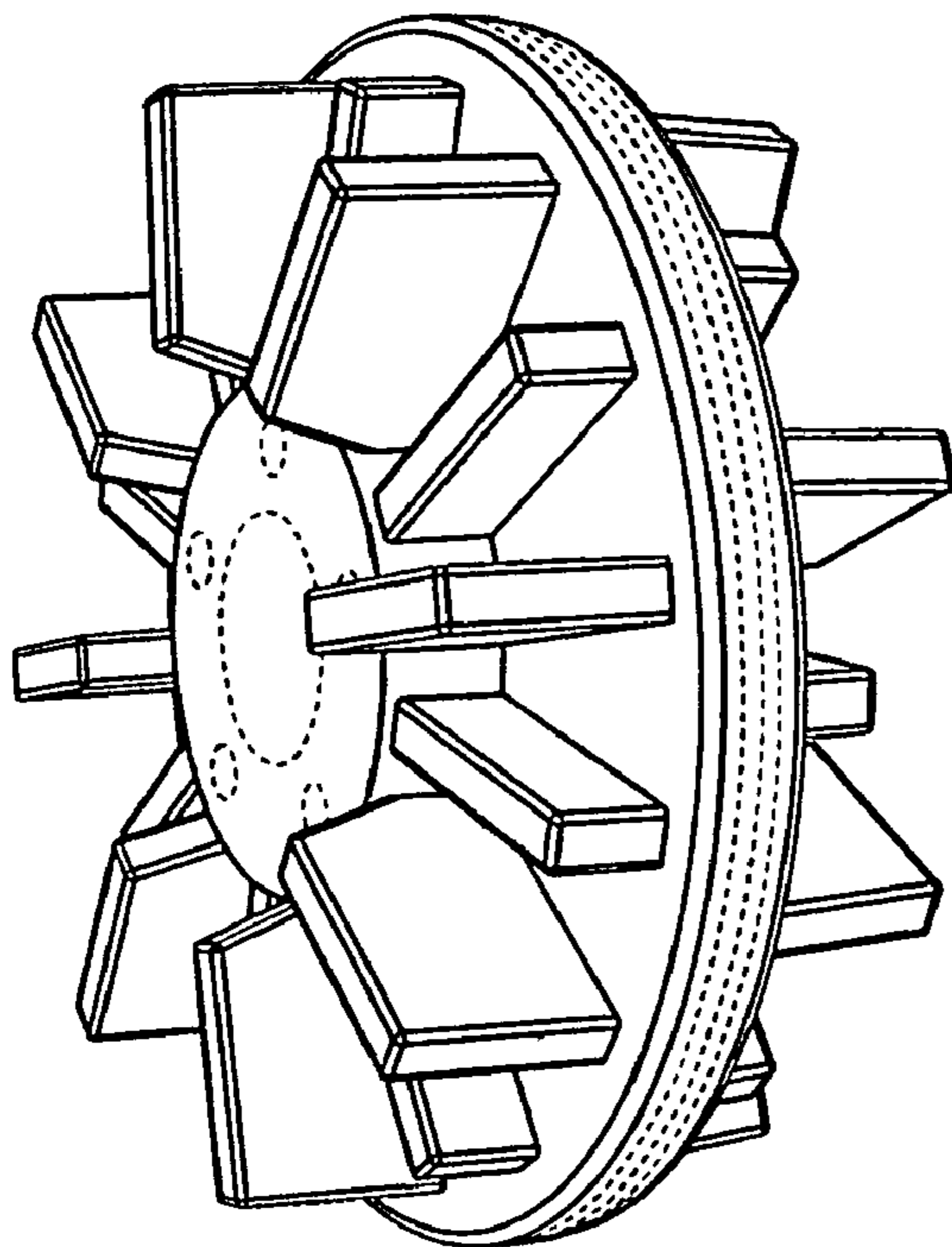
(57) **CLAIM**

The ornamental design for an amphibious wheel, as shown and described.

DESCRIPTION

FIG. 1 is a left side perspective view of the amphibious wheel in accordance with the design;
FIG. 2 is a right side perspective view thereof;
FIG. 3 is a left side view thereof;
FIG. 4 is a right side view thereof;
FIG. 5 is a top plan view thereof; and,
FIG. 6 is a bottom plan view thereof.
The portions shown in stippled lines do not form part of the present design.

1 Claim, 3 Drawing Sheets



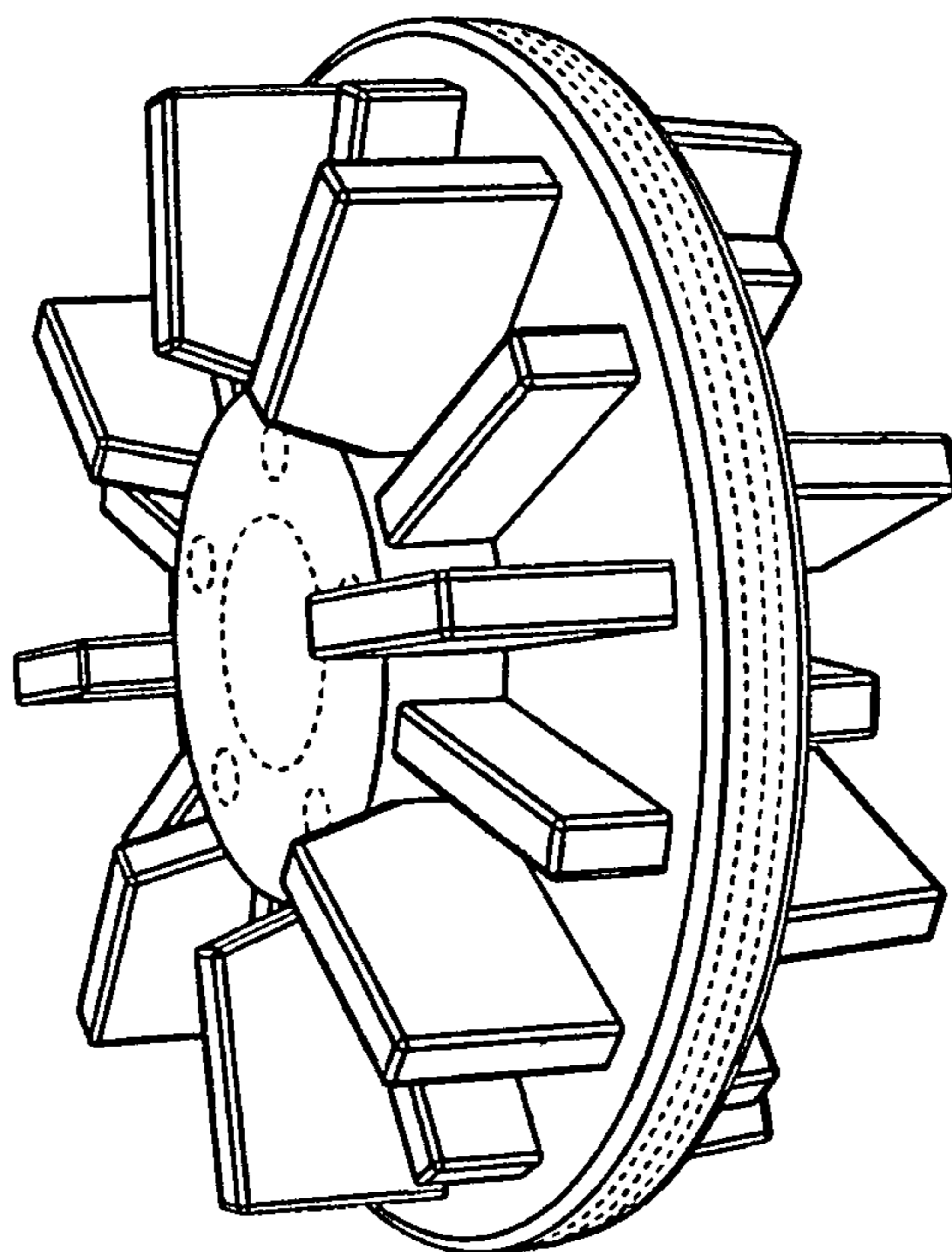


FIG. 1

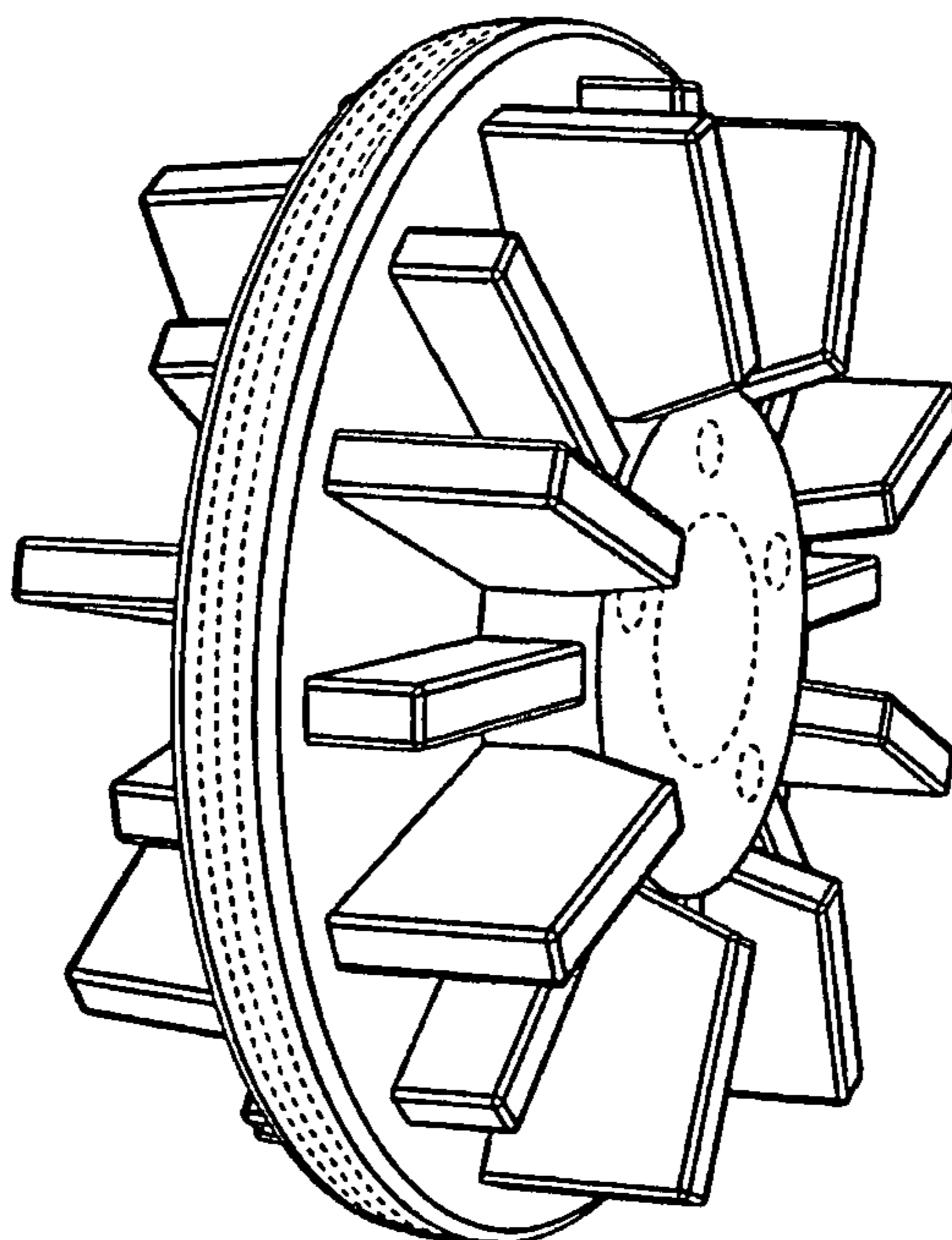


FIG. 2

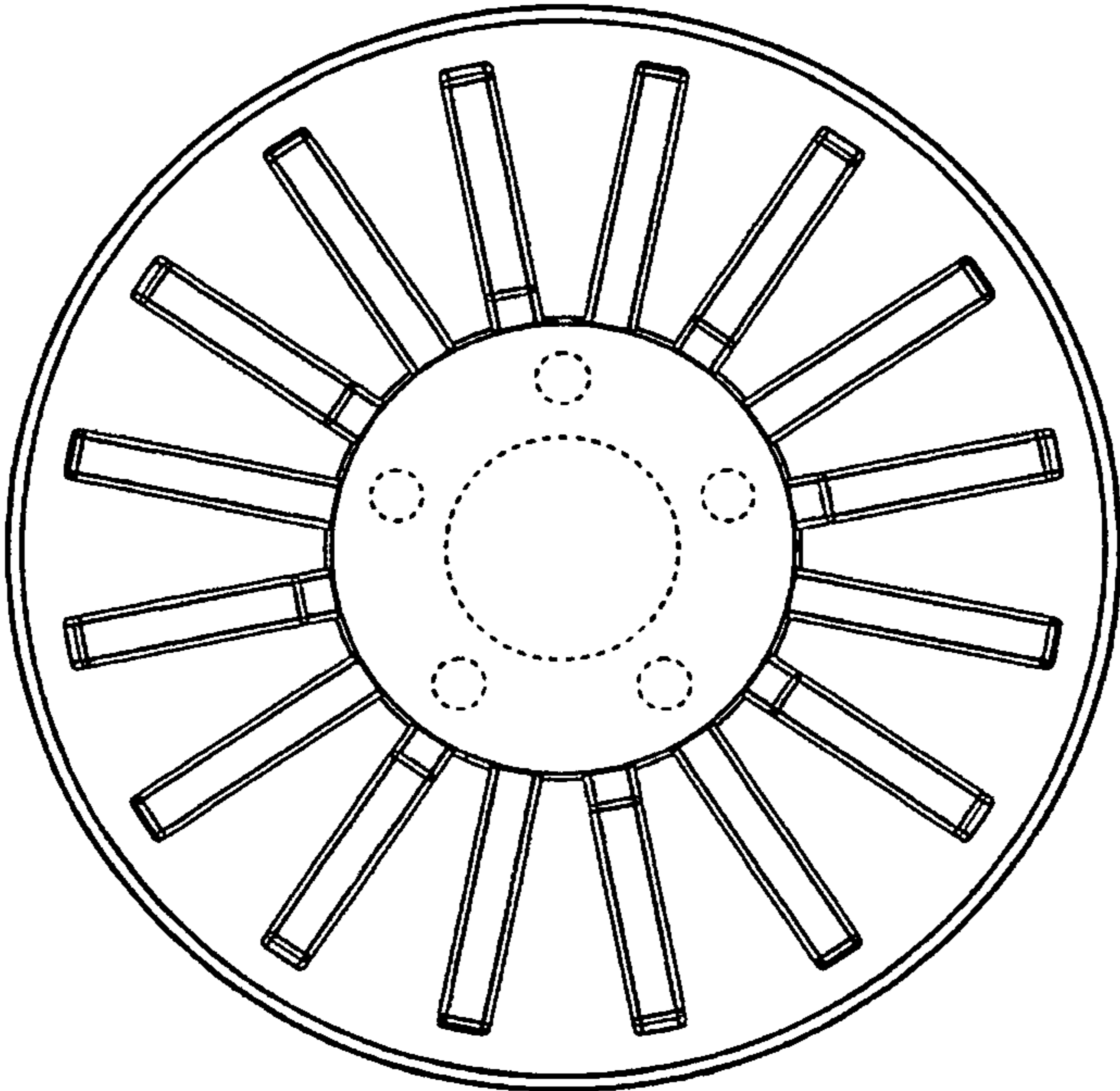


FIG. 3

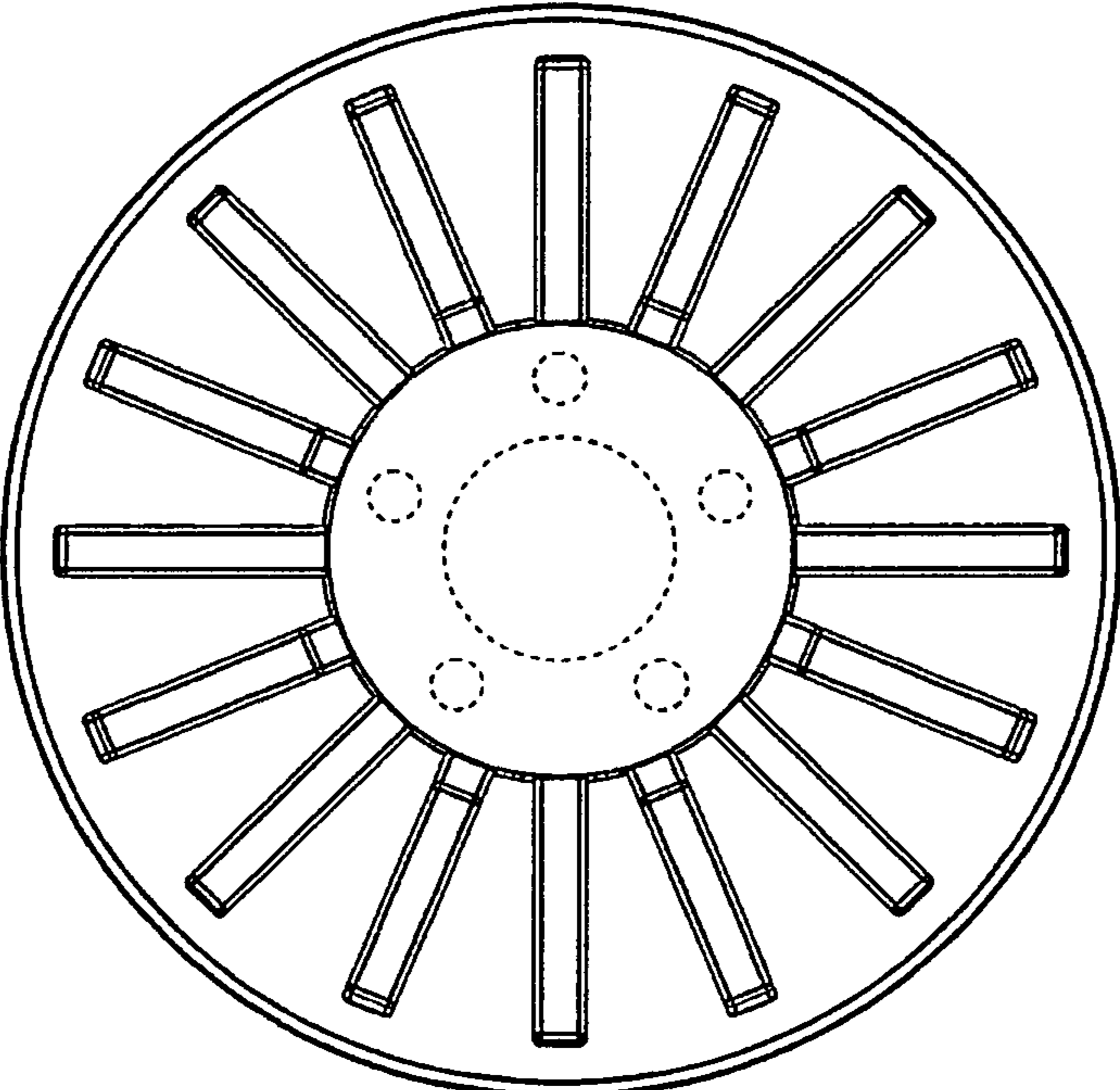


FIG. 4

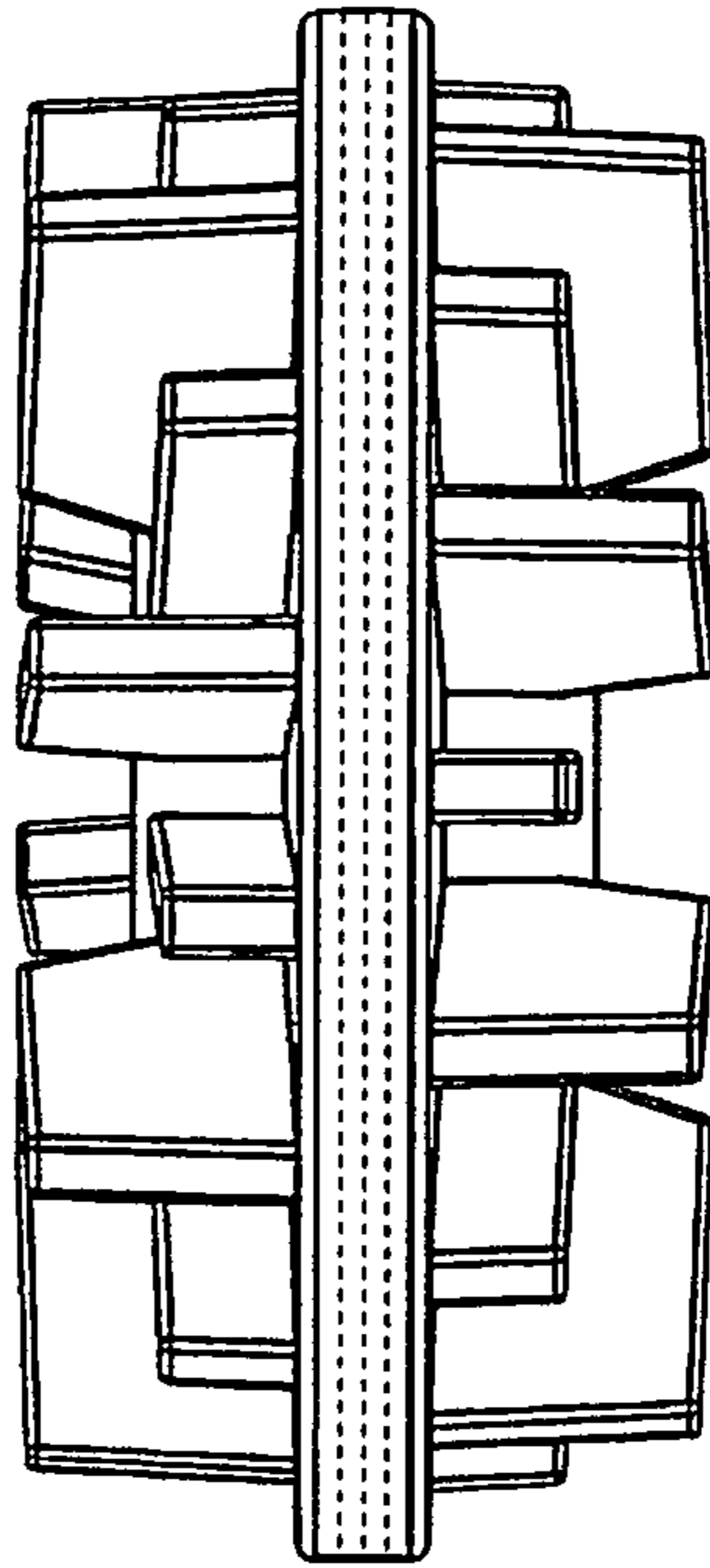


FIG. 5

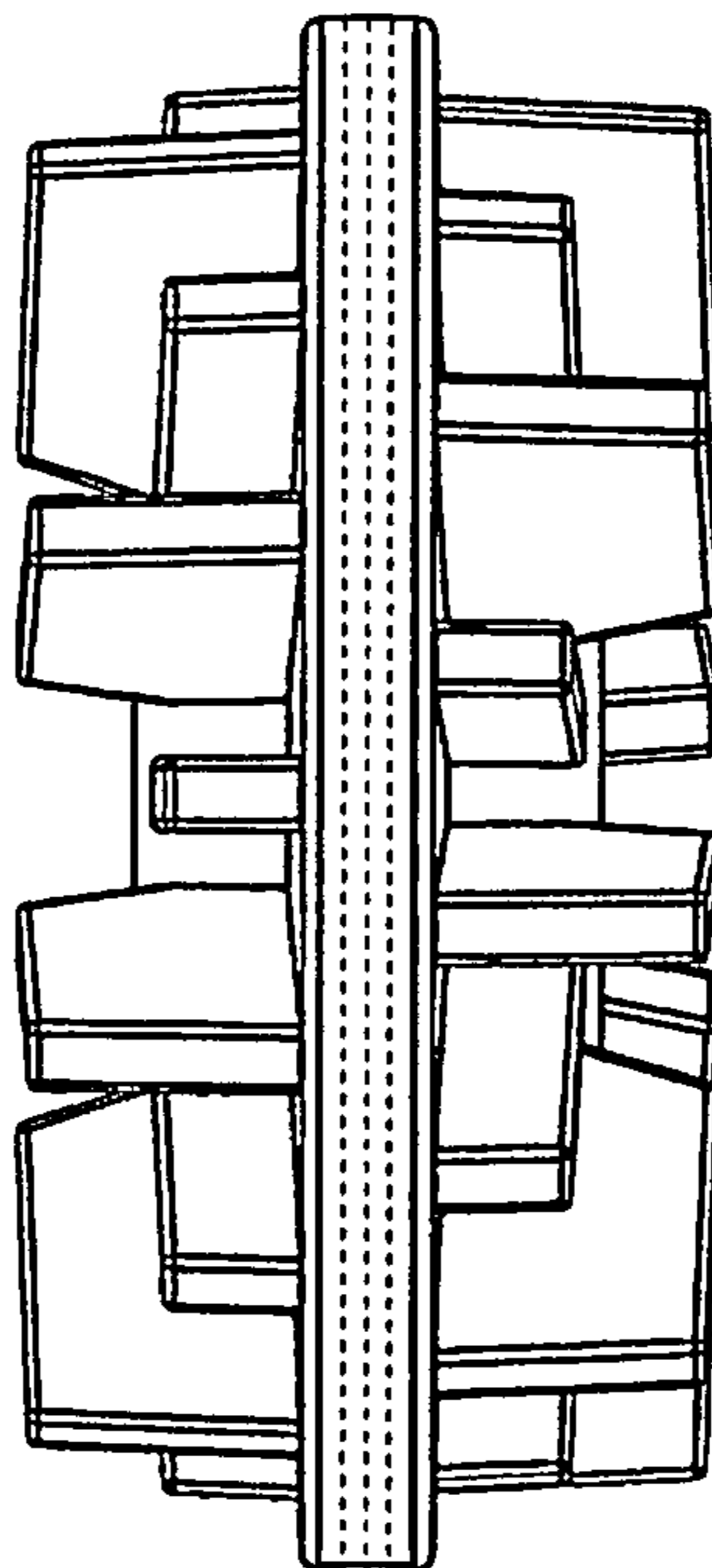


FIG. 6