



US00D740199S

(12) **United States Design Patent**
Akita et al.

(10) **Patent No.:** **US D740,199 S**
(45) **Date of Patent:** **** Oct. 6, 2015**

(54) **SPEAKER UNIT FOR WATERCRAFT**
(71) Applicant: **Kawasaki Jukogyo Kabushiki Kaisha,**
Hyogo (JP)
(72) Inventors: **Kohei Akita,** Akashi (JP); **Norikazu**
Matsumura, Akashi (JP)
(73) Assignee: **KAWASAKI JUKOGYO**
KABUSHIKI KAISHA, Hyogo (JP)

D519,887 S *	5/2006	Files	D12/114
D535,288 S *	1/2007	Files	D14/215
D552,516 S *	10/2007	Files	D12/114
D563,286 S *	3/2008	Files	D12/114
D575,273 S *	8/2008	Cherry, II	D14/216
D584,717 S *	1/2009	Files	D14/216
D591,267 S *	4/2009	Files	D14/216
D603,760 S *	11/2009	Gregory	D12/114
D621,385 S *	8/2010	Baron et al.	D14/216
D644,207 S *	8/2011	Odell	D14/216
D670,676 S *	11/2012	Diedrich et al.	D14/204
D678,248 S *	3/2013	Yu	D14/216

(**) Term: **14 Years**

* cited by examiner

(21) Appl. No.: **29/463,666**

Primary Examiner — Cynthia M Chin

(22) Filed: **Feb. 3, 2014**

(57) **CLAIM**

The ornamental design for a speaker unit for watercraft, as shown and described.

(30) **Foreign Application Priority Data**

DESCRIPTION

Aug. 28, 2013 (JP) 2013-019761

(51) **LOC (10) Cl.** **12-06**

(52) **U.S. Cl.**
USPC **D12/317; D12/307; D14/216**

(58) **Field of Classification Search**
USPC D12/114, 300, 307, 317, 318; D14/215,
D14/216; 114/55.5, 55.51–55.58; 381/86,
381/300, 302, 304, 336, 365, 389
See application file for complete search history.

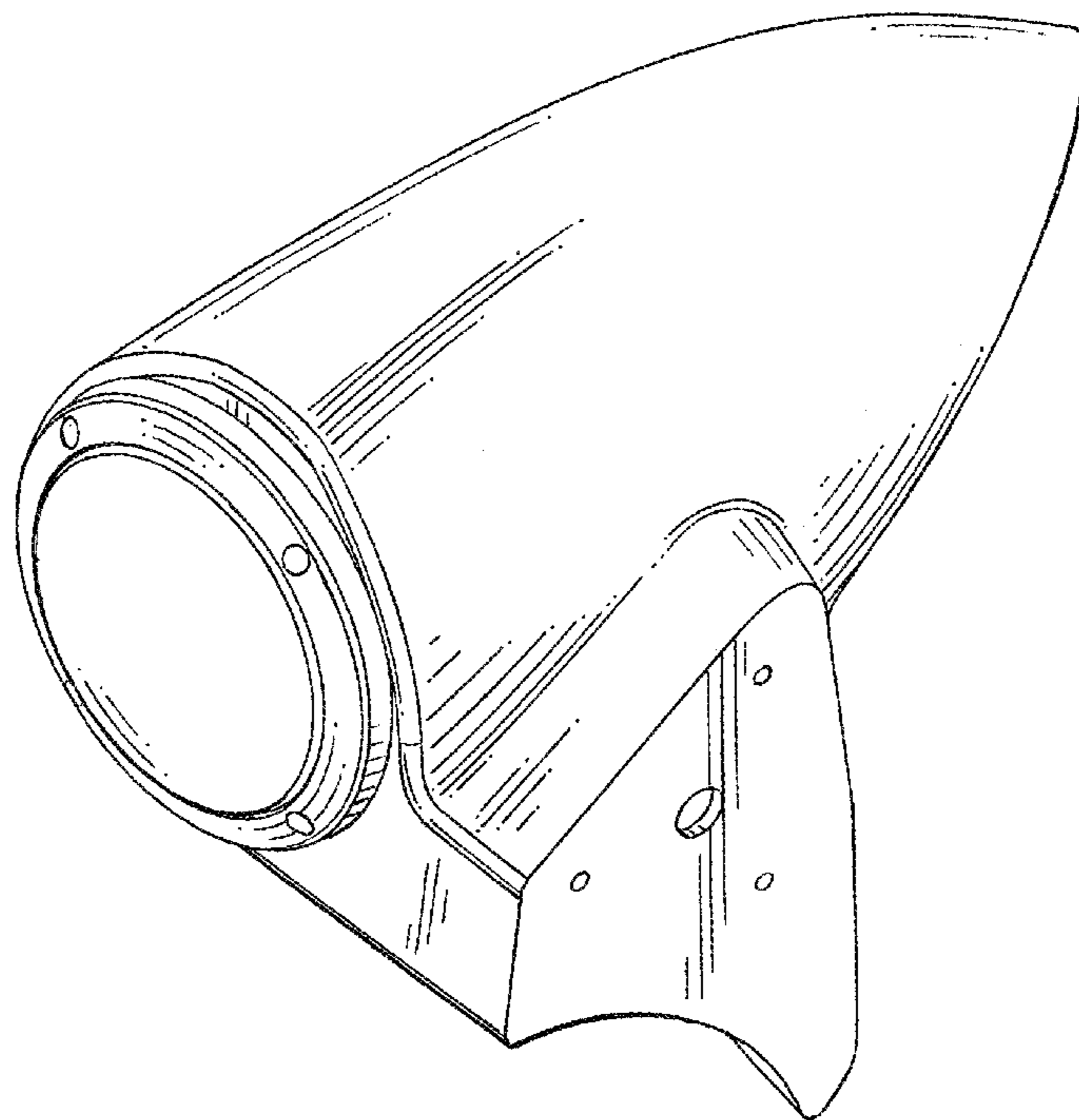
FIG. 1 is a front elevational view of a speaker unit for watercraft showing our new design;
FIG. 2 is a rear elevational view thereof;
FIG. 3 is a left side elevational view thereof;
FIG. 4 is a right side elevational view thereof;
FIG. 5 is a top plan view thereof;
FIG. 6 is a bottom plan view thereof;
FIG. 7 is a rear left perspective view thereof;
FIG. 8 is a front right perspective view thereof; and,
FIG. 9 is a rear right perspective view thereof.
The subject speaker unit is installed onto watercrafts for music appreciation.

(56) **References Cited**

U.S. PATENT DOCUMENTS

D376,150 S *	12/1996	Pesce	D14/216
D464,946 S *	10/2002	Liu	D14/216

1 Claim, 9 Drawing Sheets



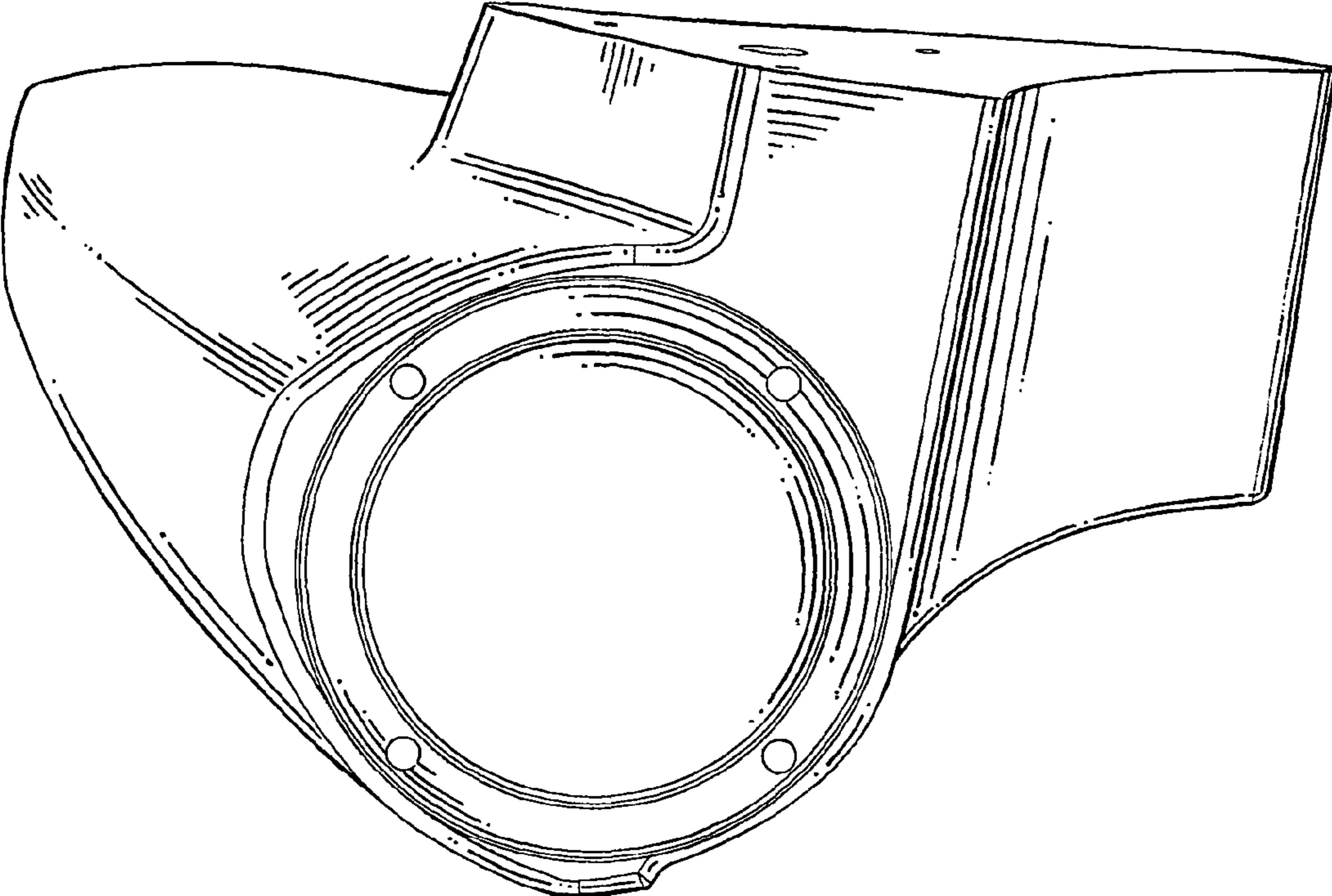


Fig. 1

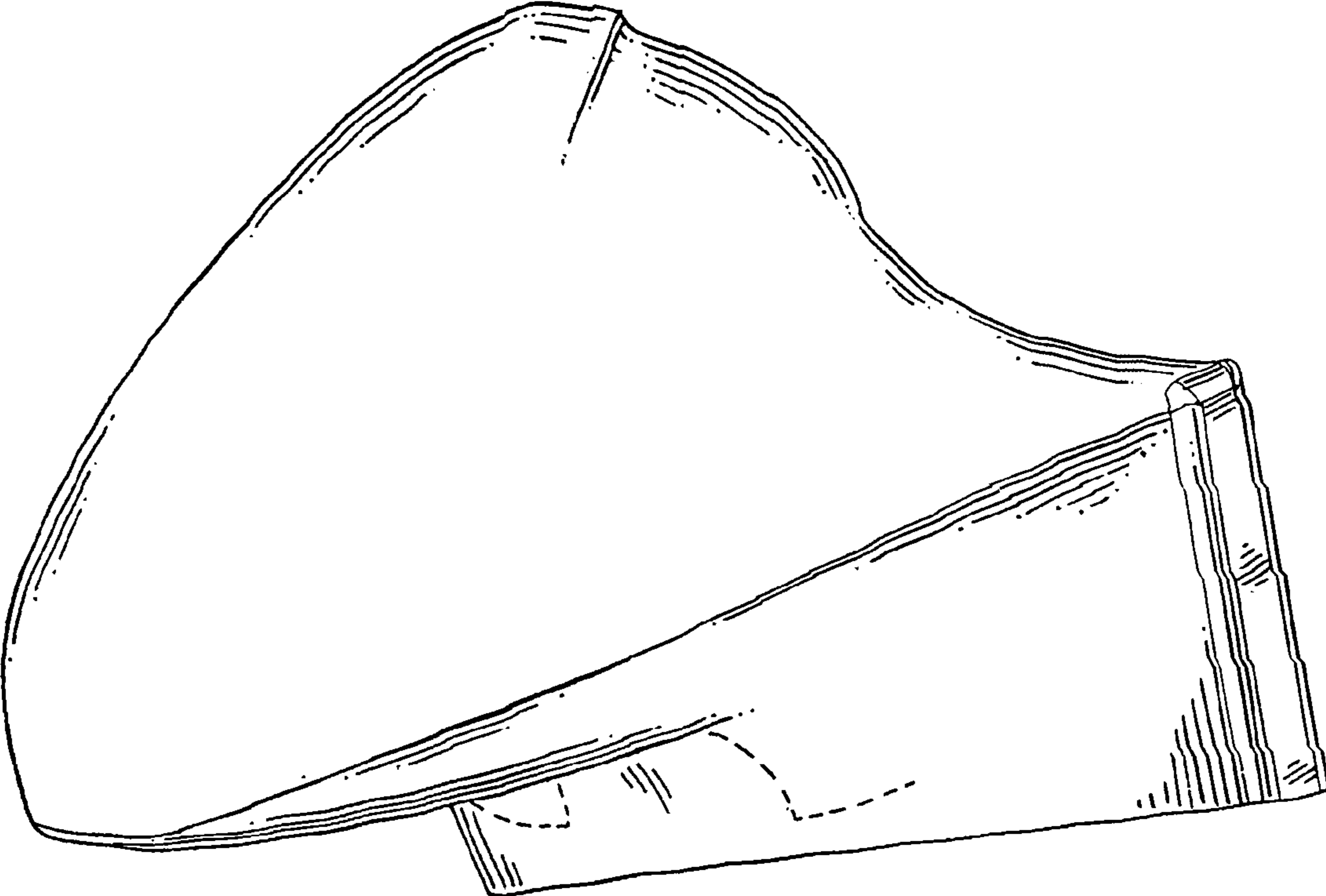


Fig. 2

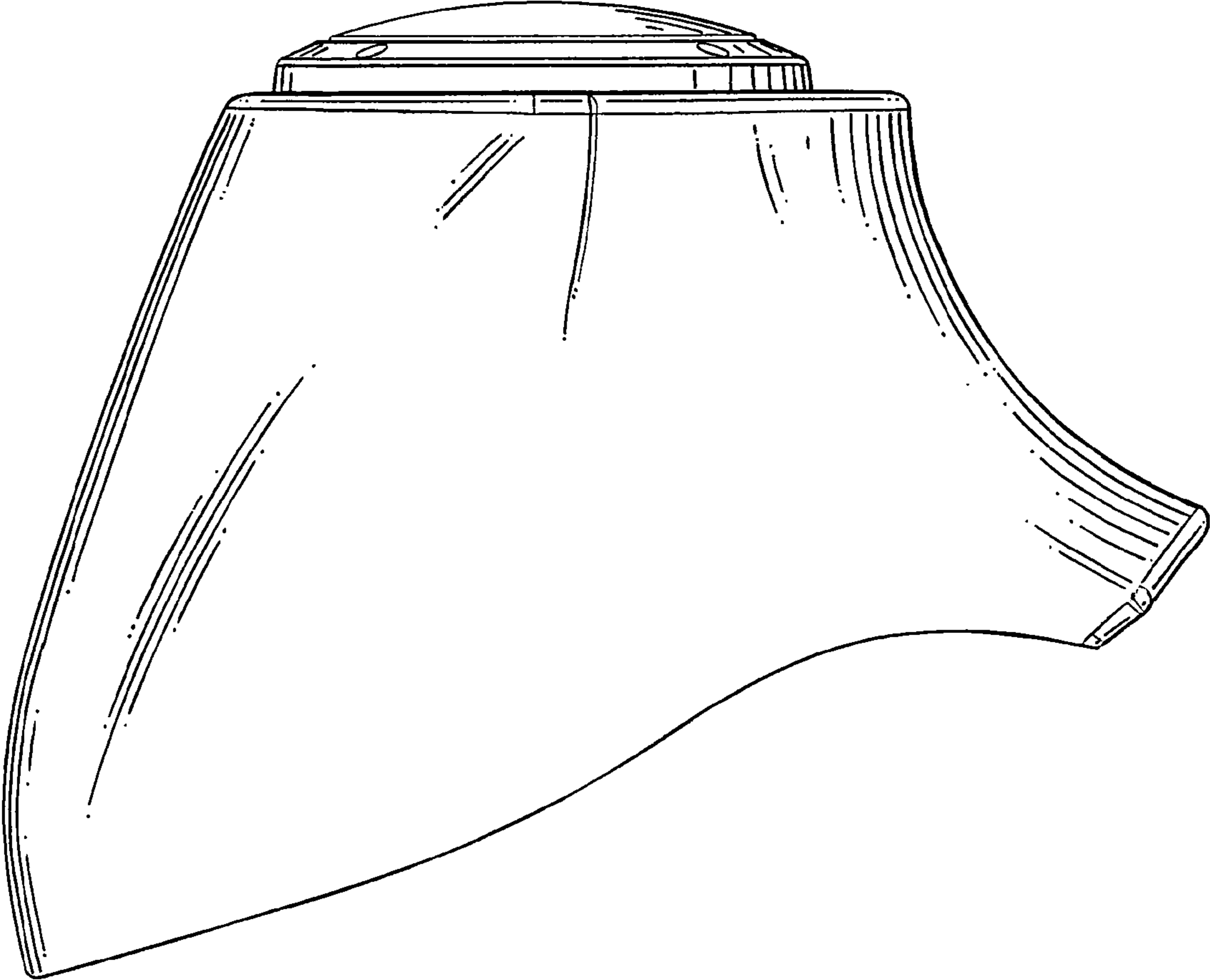


Fig. 3

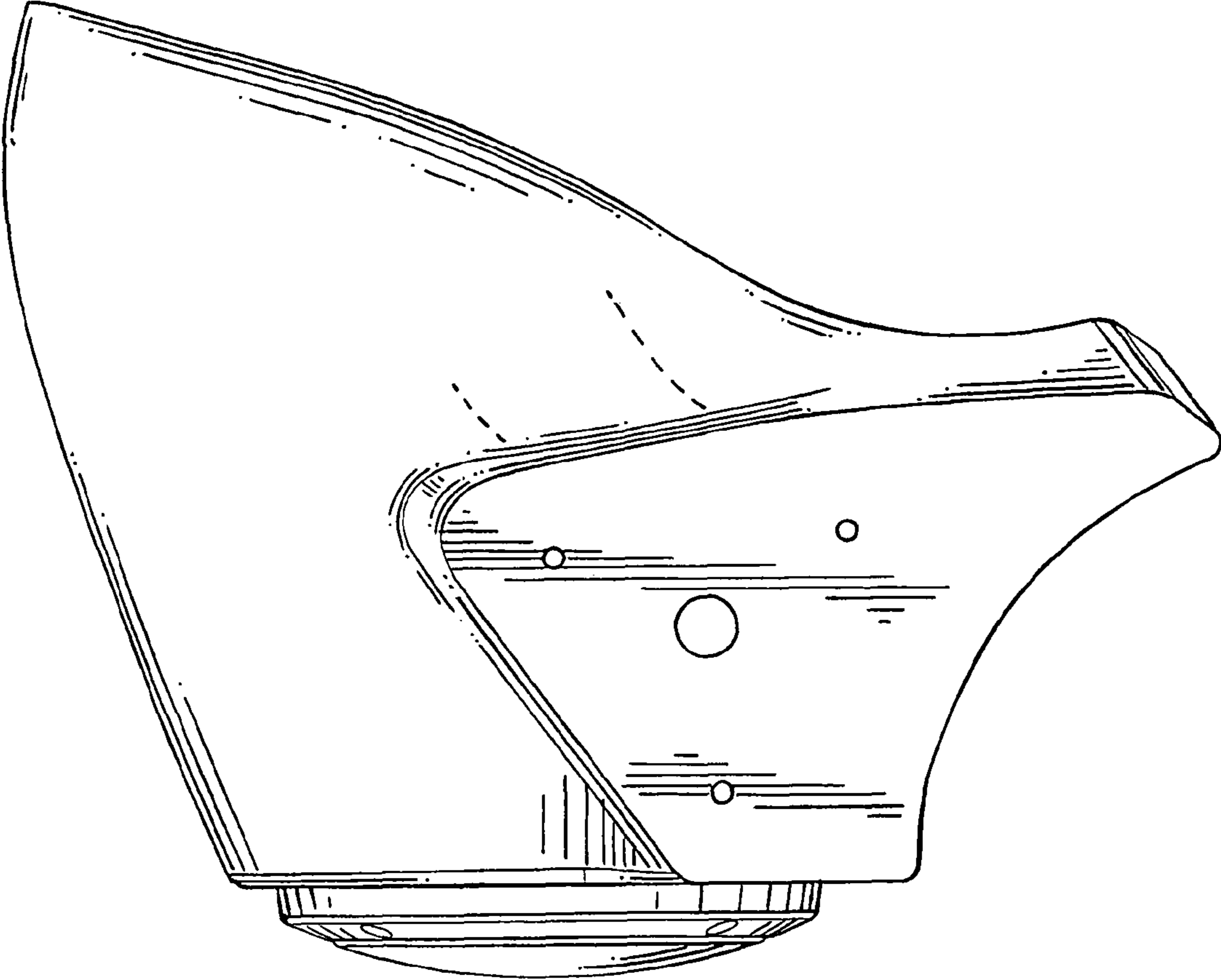


Fig. 4

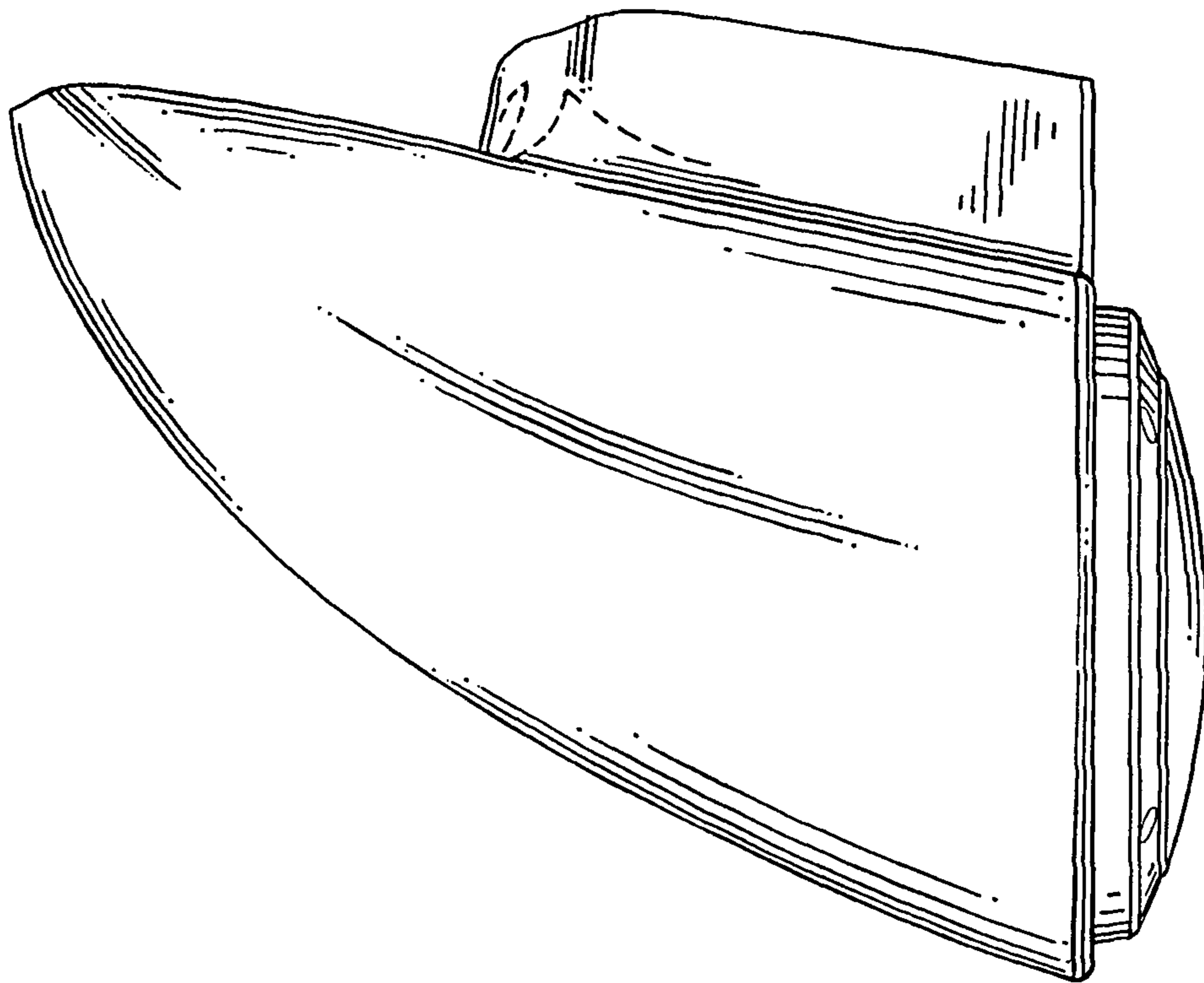


Fig. 5

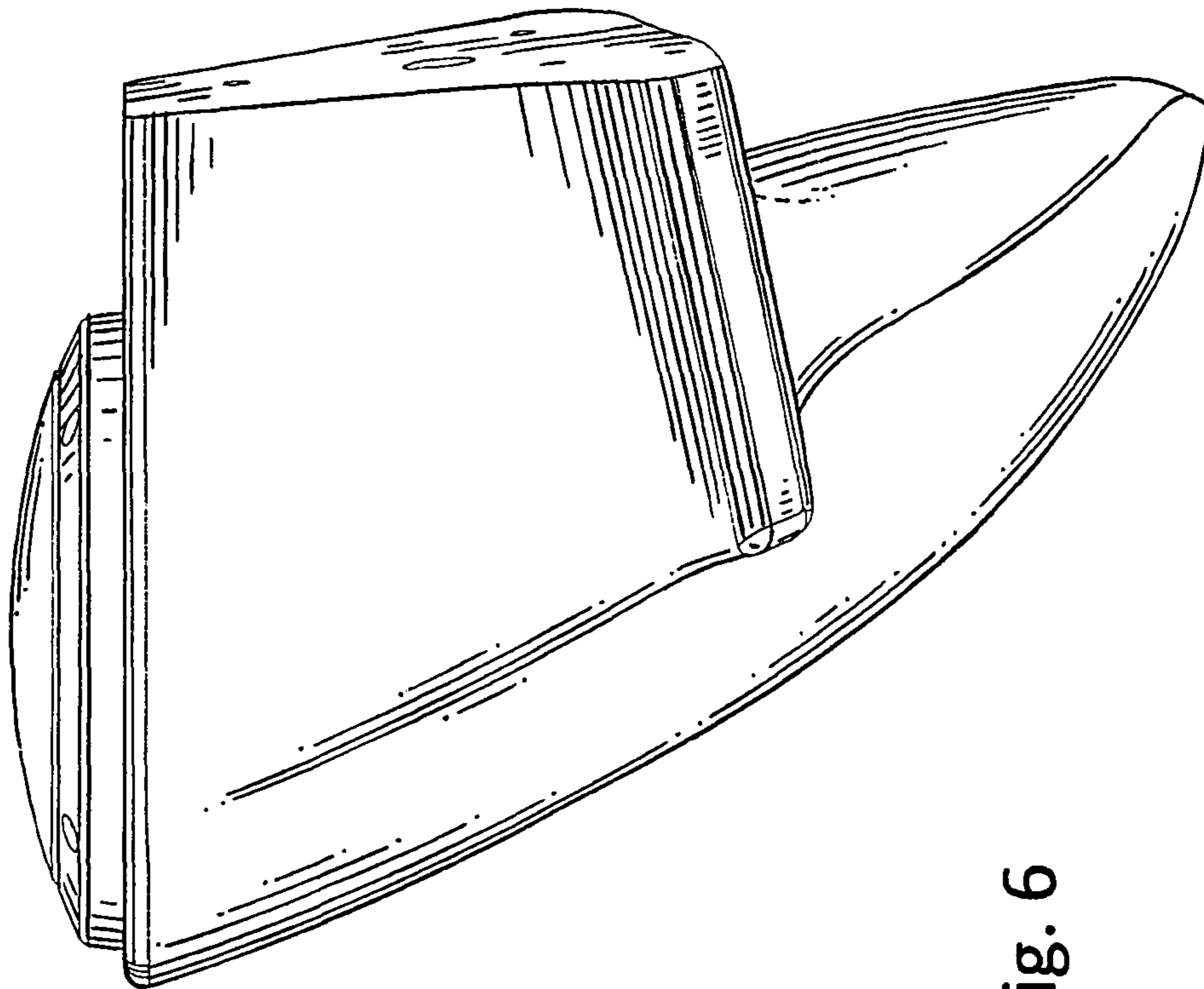


Fig. 6

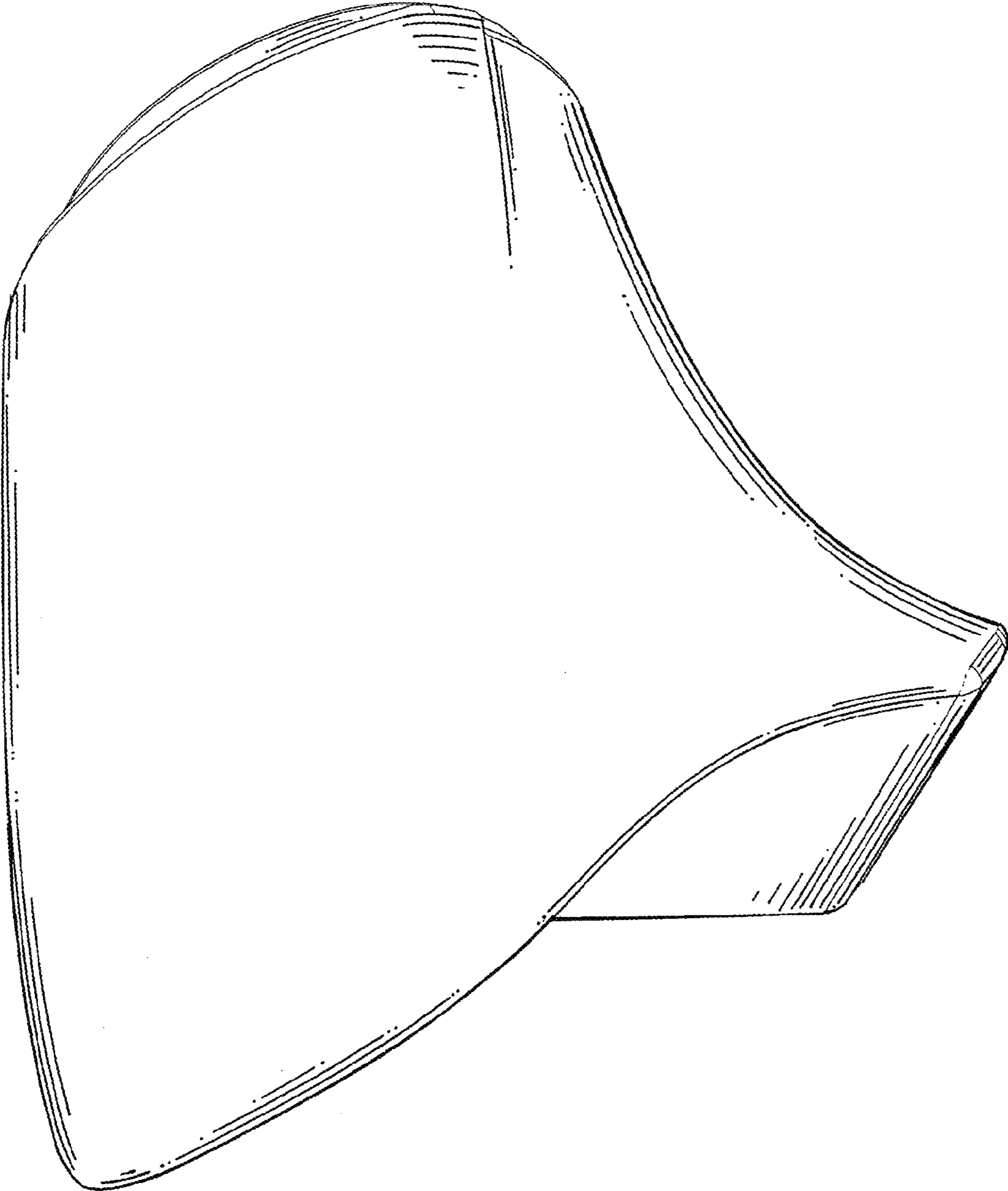


Fig. 7

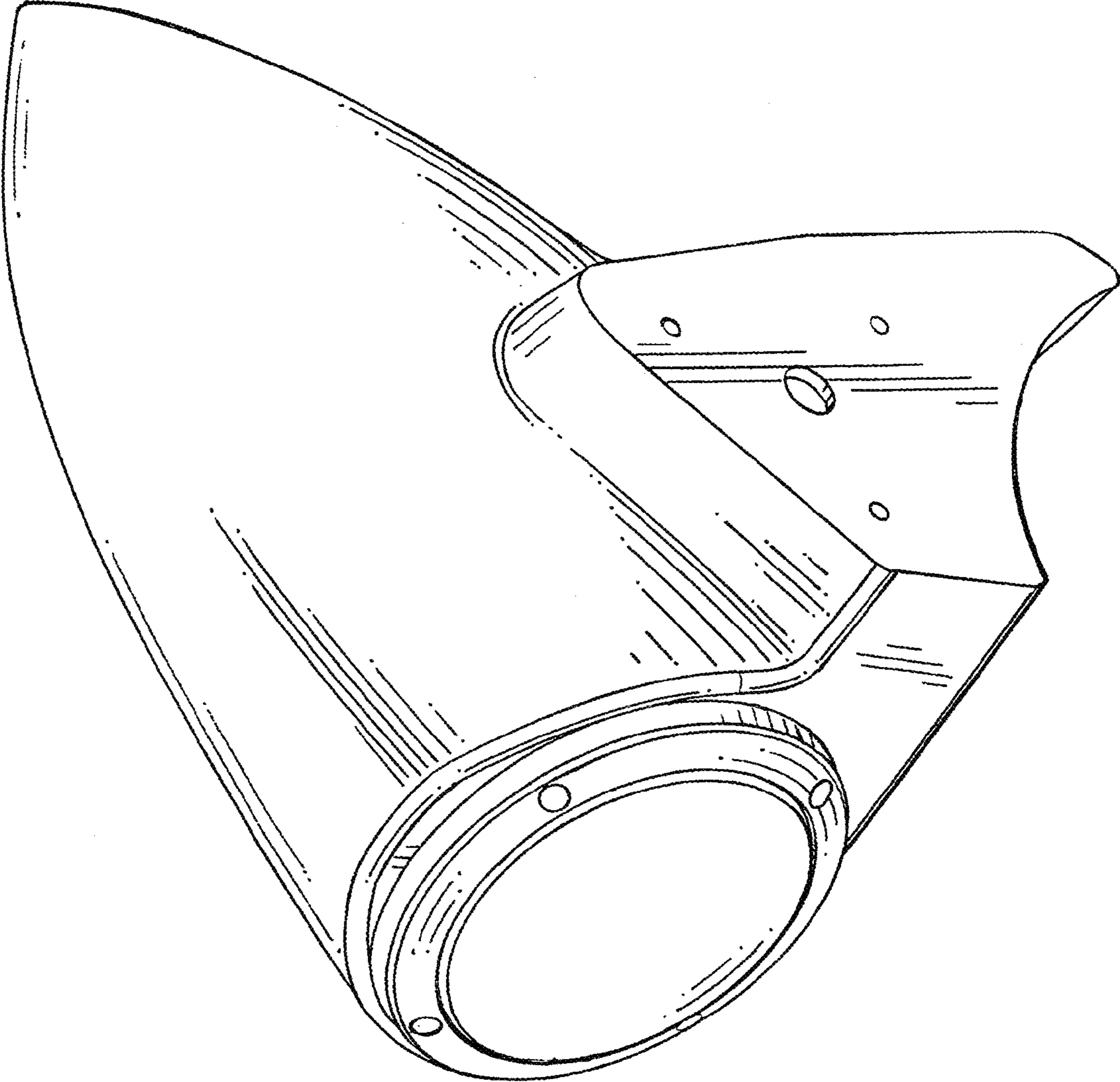


Fig. 8

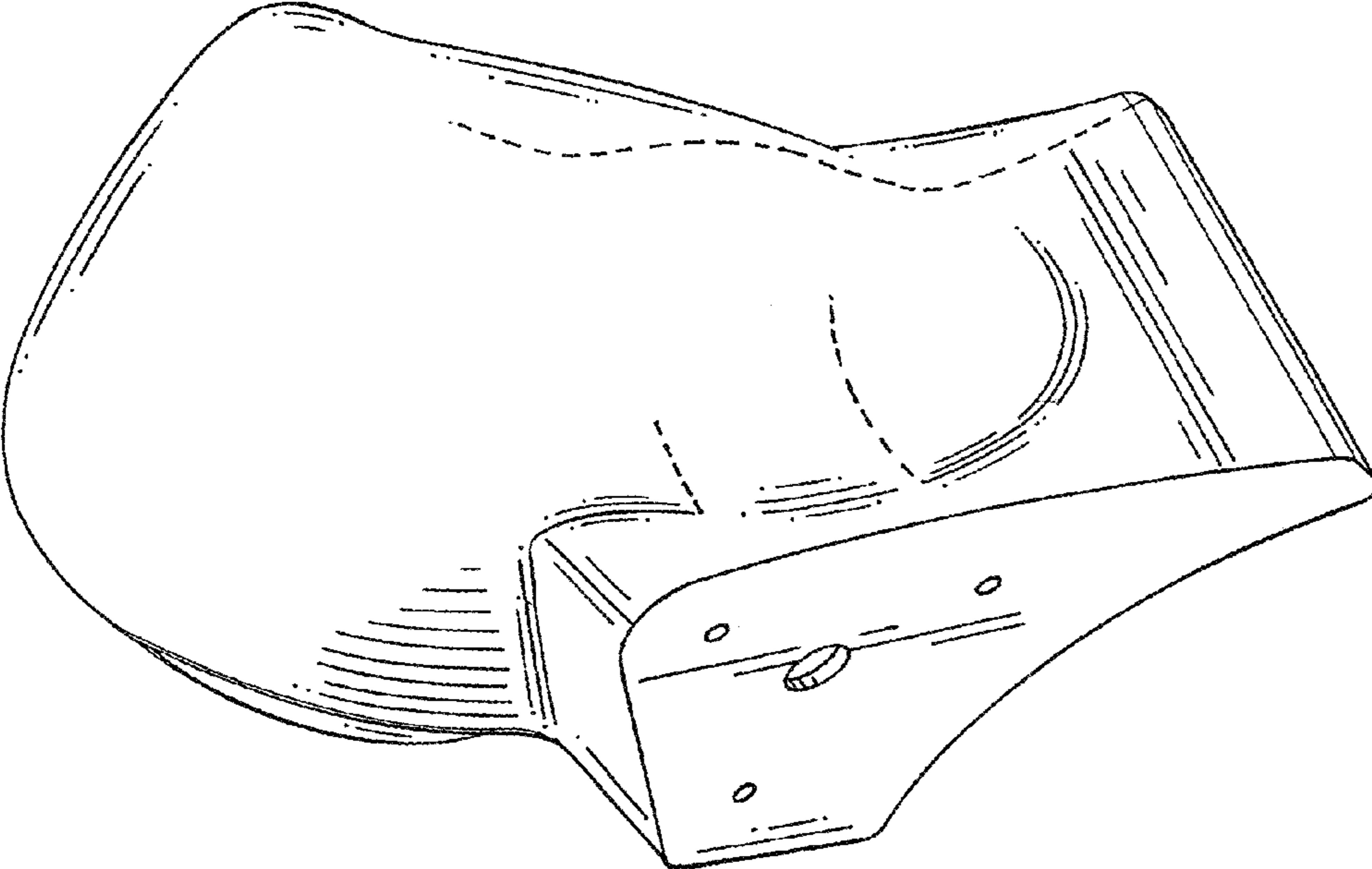


Fig. 9