



US00D740189S

(12) **United States Design Patent**
Lopez-Ross

(10) **Patent No.:** **US D740,189 S**
(45) **Date of Patent:** **** Oct. 6, 2015**

- (54) **AUXILIARY VEHICLE SUN VISOR**
- (71) Applicant: **Gloria Lopez-Ross**, Poteet, TX (US)
- (72) Inventor: **Gloria Lopez-Ross**, Poteet, TX (US)
- (**) Term: **14 Years**
- (21) Appl. No.: **29/482,484**
- (22) Filed: **Feb. 19, 2014**
- (51) **LOC (10) Cl.** **12-16**
- (52) **U.S. Cl.**
USPC **D12/191**
- (58) **Field of Classification Search**
USPC D12/191, 181, 183-185, 106, 417,
D12/311-312; 296/97.1-97.8, 180.1;
160/370.21-370.23
CPC B60J 3/02; B60J 3/0208
See application file for complete search history.

- D558,655 S * 1/2008 Kawamata D12/191
- D594,394 S * 6/2009 Kawamata D12/191
- D658,569 S * 5/2012 Horton D12/191
- D681,525 S * 5/2013 Atwell D12/191
- D683,290 S * 5/2013 Sanchez D12/191
- D691,079 S * 10/2013 Oswald D12/191

* cited by examiner

Primary Examiner — Katrina A Betton
(74) *Attorney, Agent, or Firm* — Crossley Patent Law

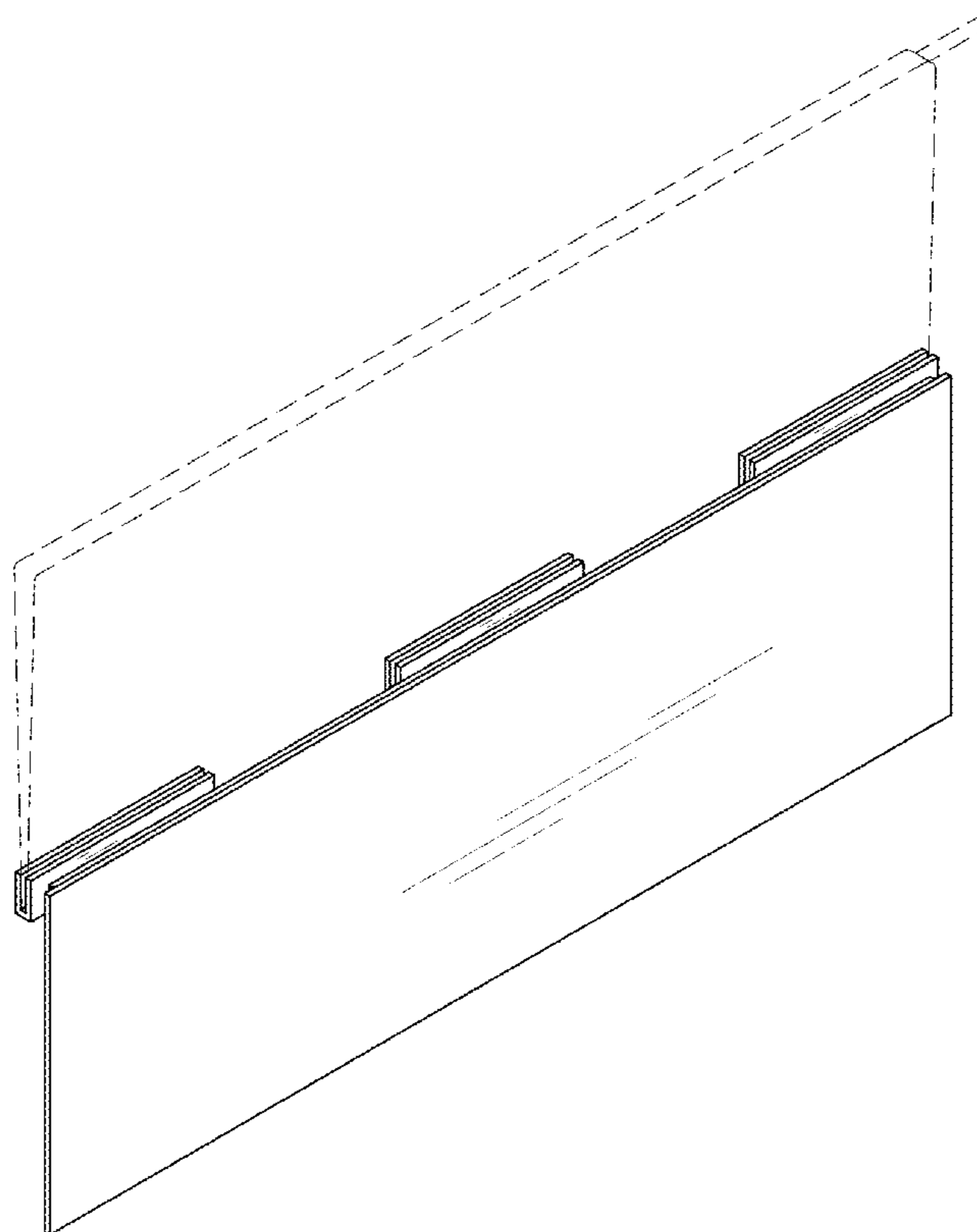
(57) **CLAIM**
The ornamental design for an auxiliary vehicle sun visor, as shown and described.

DESCRIPTION

FIG. 1 is a front elevation view of an auxiliary vehicle sun visor showing my new design with a glare shield and a plurality of clips separated for clarity;
 FIG. 2 is a rear elevation view thereof;
 FIG. 3 is a right side elevation view thereof, the opposite side being a mirror image of the shown;
 FIG. 4 is a top plan view thereof;
 FIG. 5 is bottom plan view thereof;
 FIG. 6 is an isometric view thereof; and,
 FIG. 7 is an in use view.
 The broken lines in FIG. 7 of the drawings depict a vehicle sun visor as environmental subject matter only and form no part of the claimed design.

- (56) **References Cited**
U.S. PATENT DOCUMENTS
- 5,611,591 A 3/1997 Van Devender
- 5,842,748 A 12/1998 Cummins
- 6,325,443 B1 12/2001 Sanchez
- D476,609 S * 7/2003 Gibson D12/191
- D501,655 S * 2/2005 Tuccinardi et al. D14/129
- D524,206 S * 7/2006 Hohney D12/191
- D526,259 S * 8/2006 Votz D12/191
- D546,743 S * 7/2007 Wisco D12/191

1 Claim, 6 Drawing Sheets



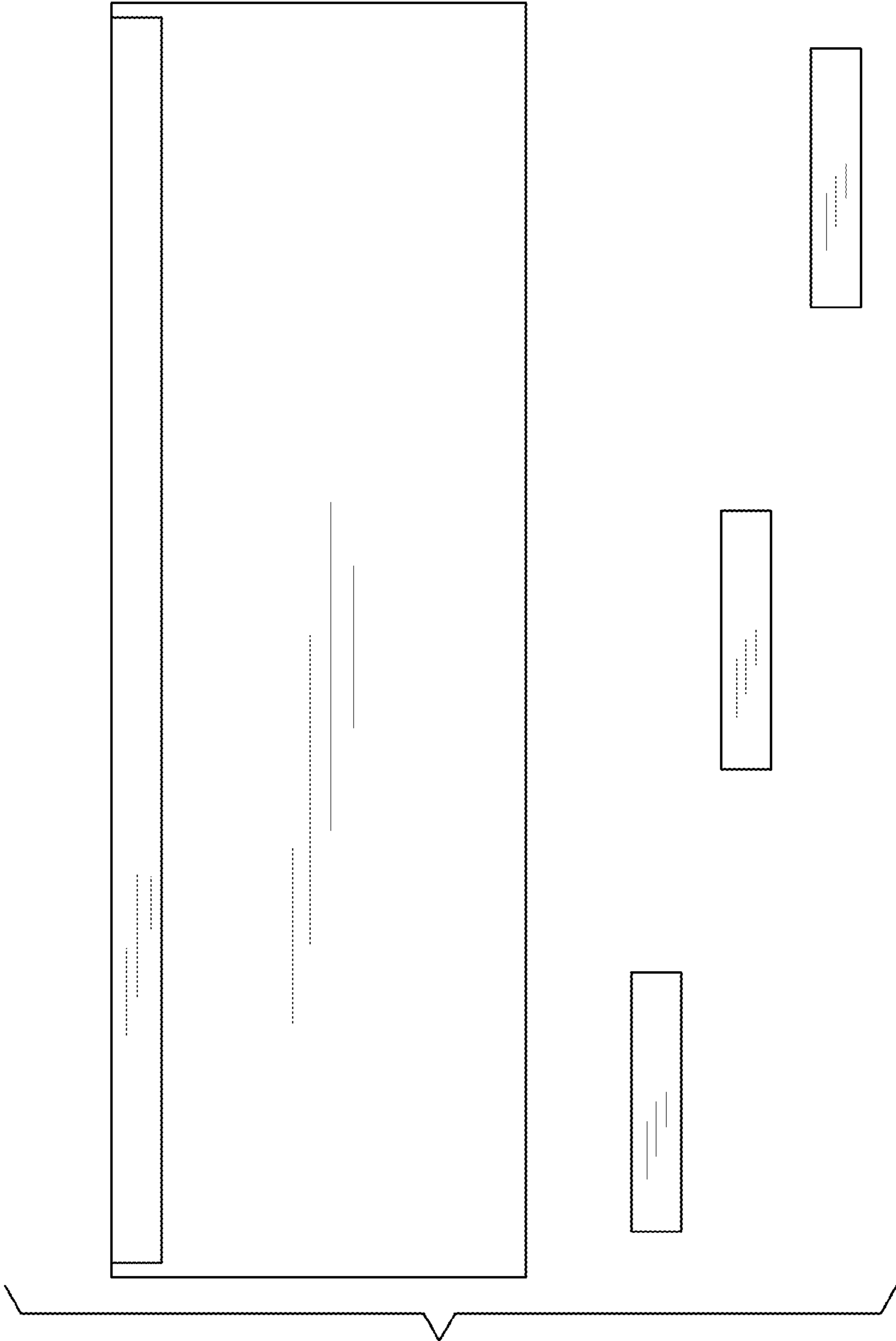


FIG. 1

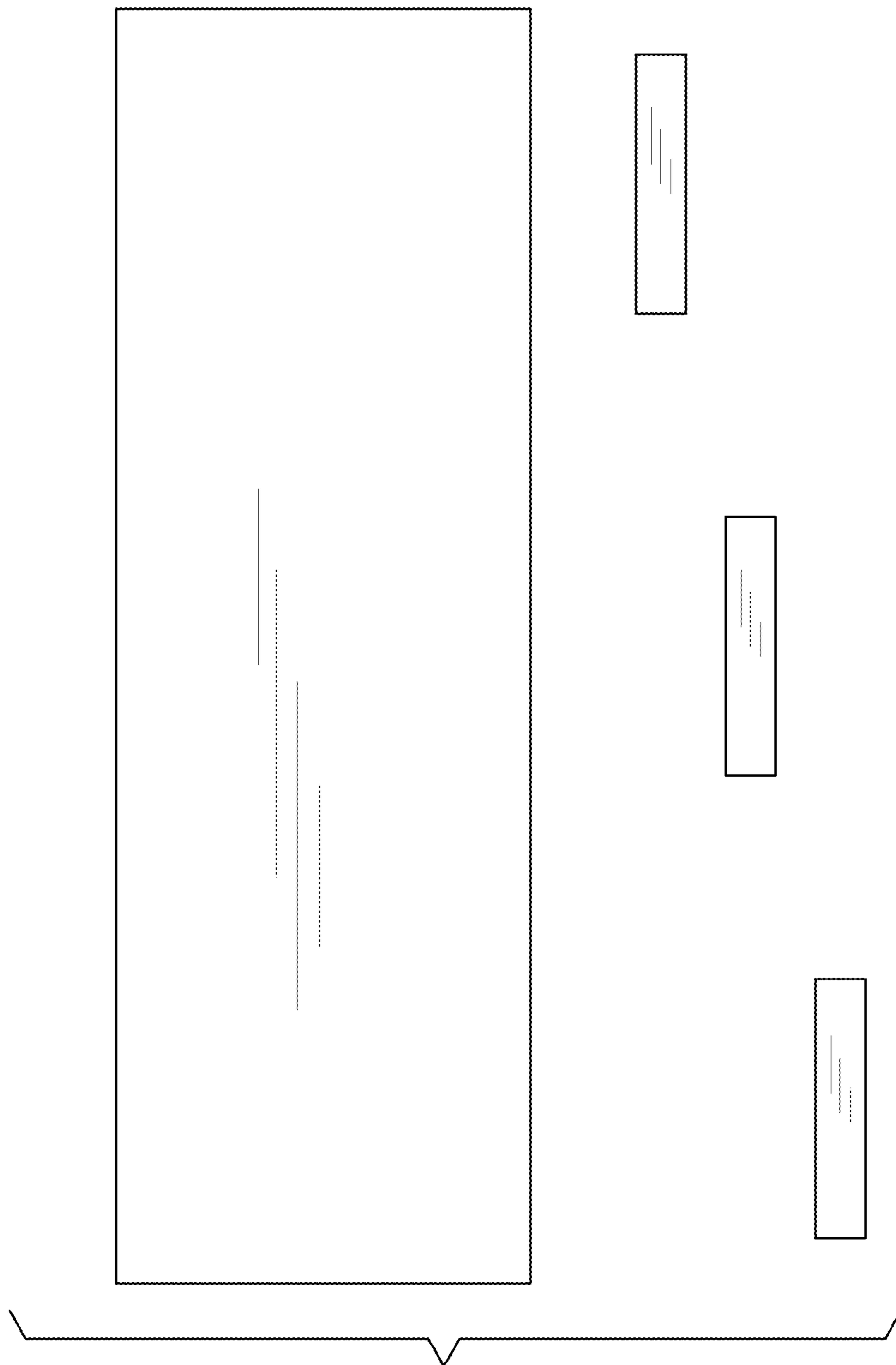


FIG. 2

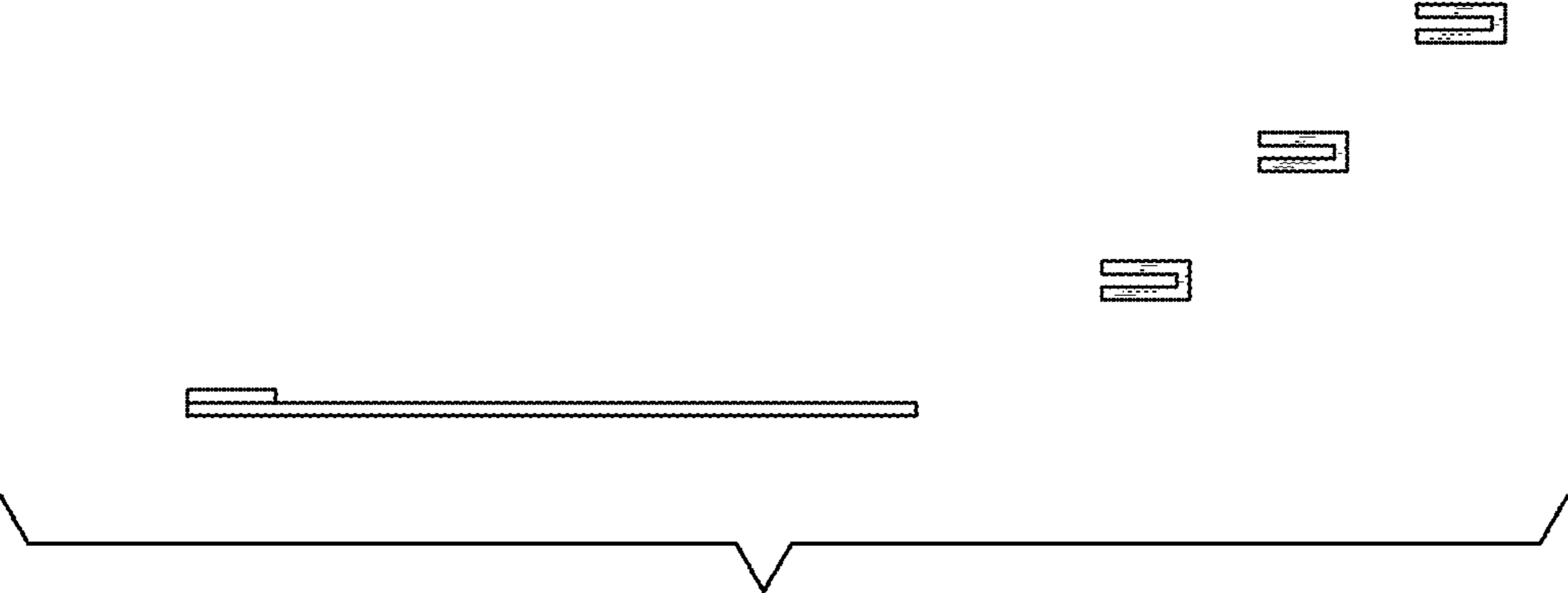


FIG. 3

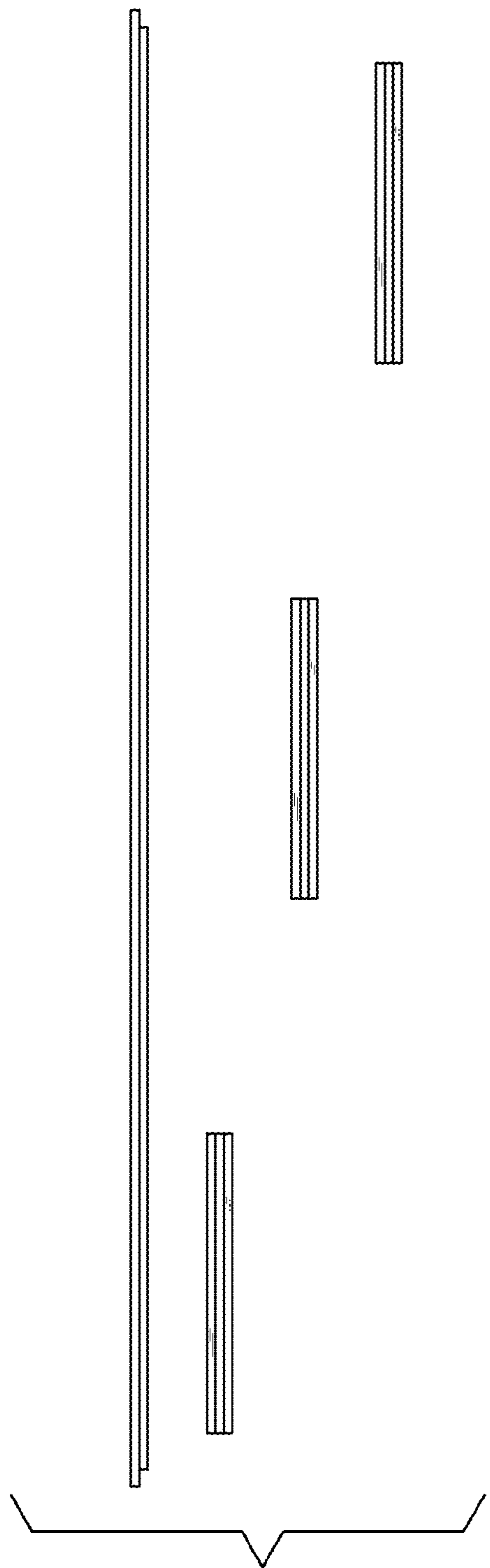


FIG. 4

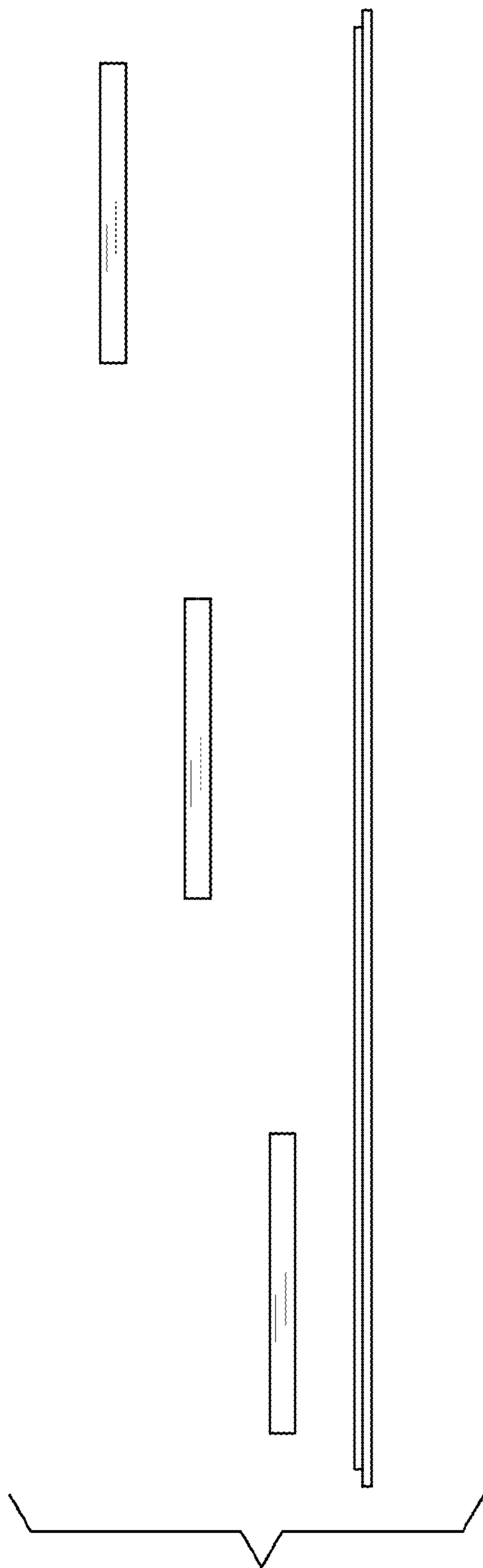


FIG. 5

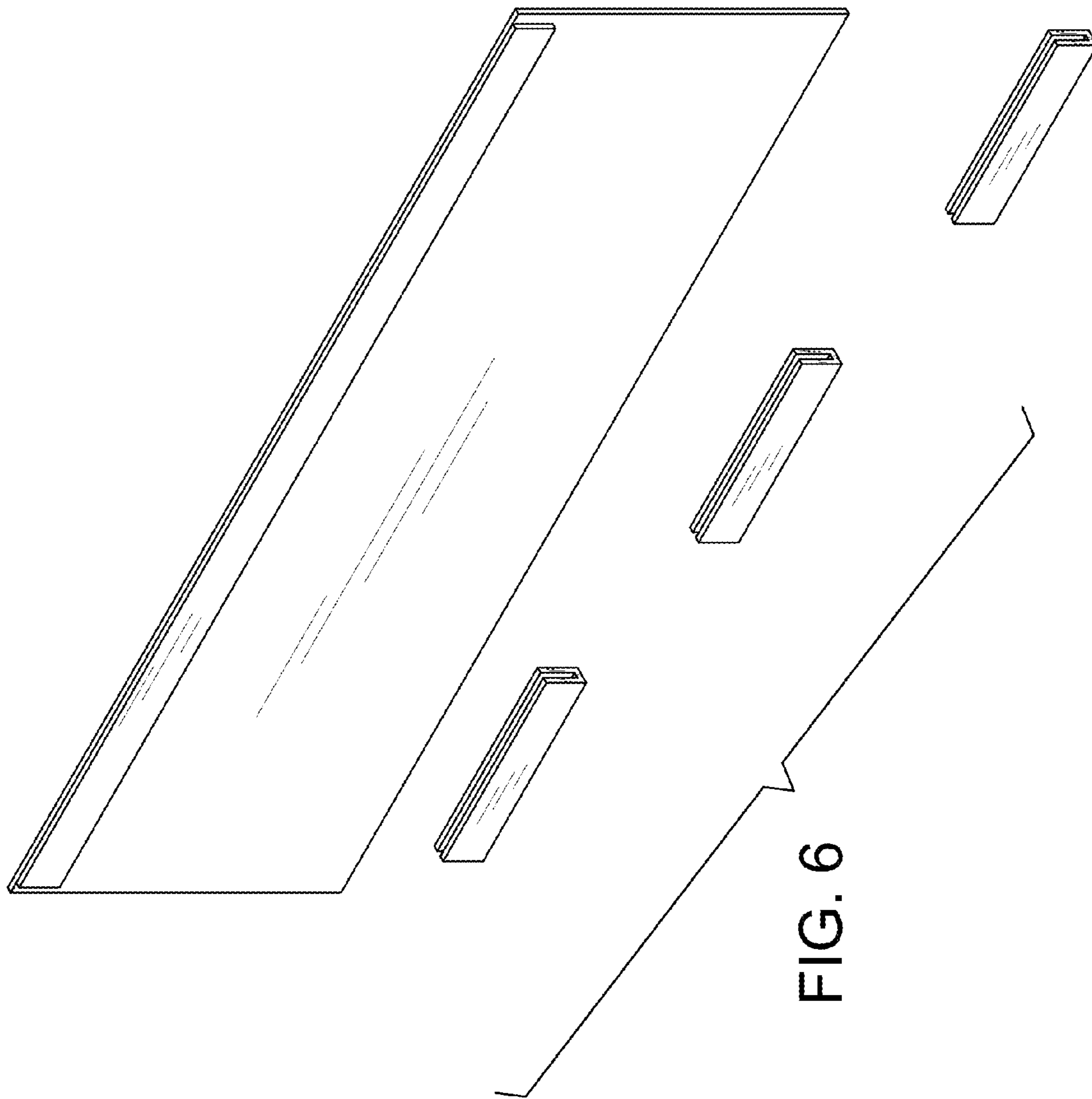


FIG. 6

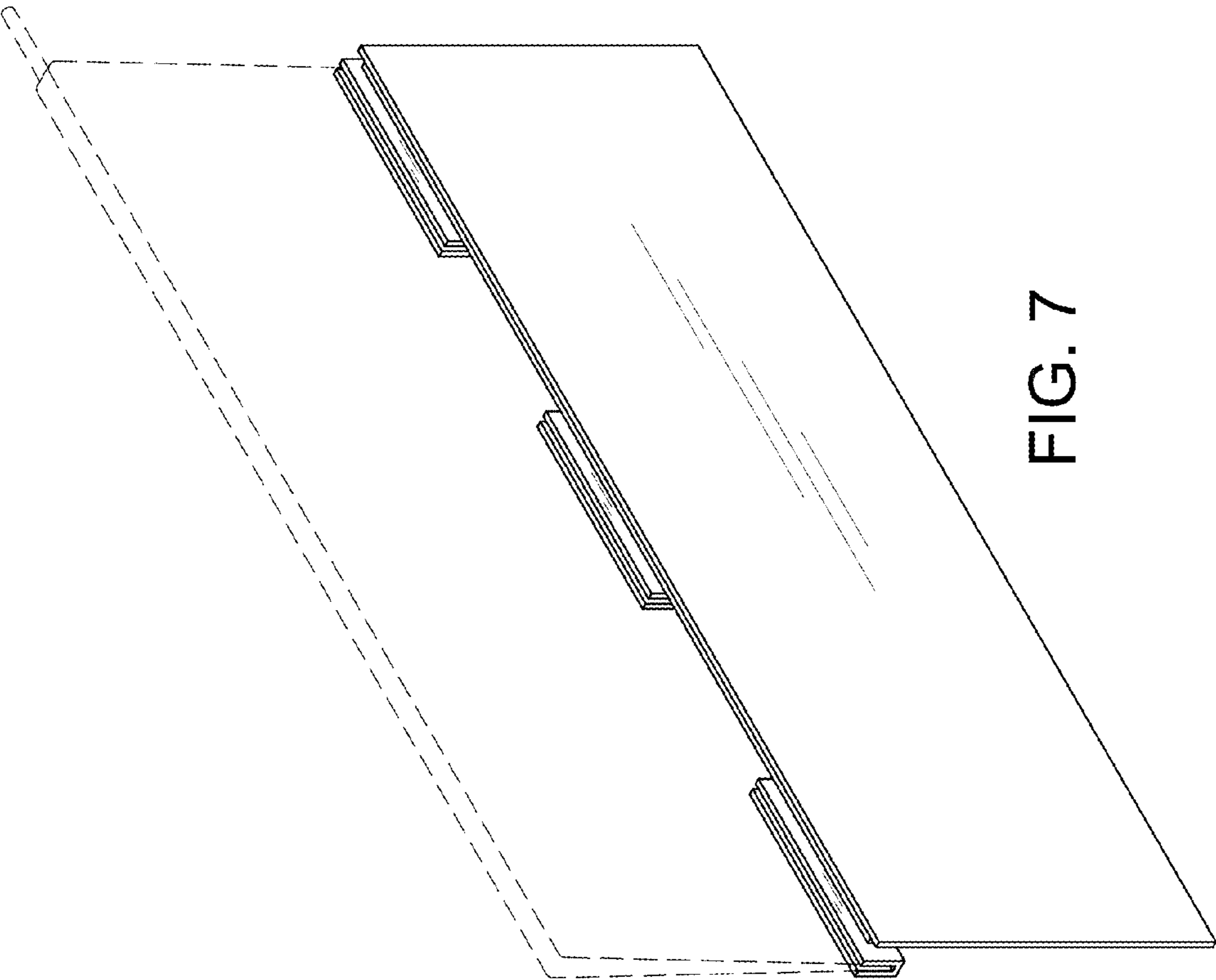


FIG. 7