



US00D740188S

(12) **United States Design Patent**
Blanski et al.

(10) **Patent No.:** **US D740,188 S**

(45) **Date of Patent:** **** Oct. 6, 2015**

- (54) **VEHICLE FENDER**
- (71) Applicant: **Ford Motor Company**, Dearborn, MI (US)
- (72) Inventors: **Dillon R. Blanski**, Ferndale, MI (US);
Murat Gueler, Cologne (DE);
Christopher Hamilton, Cold Norton (GB)
- (73) Assignee: **Ford Motor Company**, Dearborn, MI (US)
- (**) Term: **14 Years**
- (21) Appl. No.: **29/491,416**
- (22) Filed: **May 21, 2014**
- (51) **LOC (10) Cl.** **12-16**
- (52) **U.S. Cl.**
USPC **D12/184**
- (58) **Field of Classification Search**
USPC D12/184, 196, 181, 90-92; 280/152.1,
280/847-849, 851; 296/181.1, 181.5
CPC B62D 25/16; B62D 25/18; B62D 25/161;
B62D 25/168; B62D 25/184; B62D 25/186;
B62D 25/188; B62D 25/182
See application file for complete search history.

- D669,829 S * 10/2012 Iwao et al. D12/184
- D680,045 S * 4/2013 Hamilton et al. D12/184
- D683,679 S * 6/2013 Platto et al. D12/184
- D685,305 S * 7/2013 Tase et al. D12/184
- D691,530 S * 10/2013 Song et al. D12/184
- D699,649 S * 2/2014 Okue et al. D12/184
- D709,010 S * 7/2014 Mays et al. D12/184
- D711,797 S * 8/2014 Tsuchida et al. D12/184
- D716,709 S * 11/2014 Thole et al. D12/184
- D721,314 S * 1/2015 Platto et al. D12/184
- D731,373 S * 6/2015 Howell et al. D12/184

* cited by examiner

Primary Examiner — Melody N Brown

(74) *Attorney, Agent, or Firm* — Damian Porcari

(57) **CLAIM**

The ornamental design for a vehicle fender, as shown and described.

DESCRIPTION

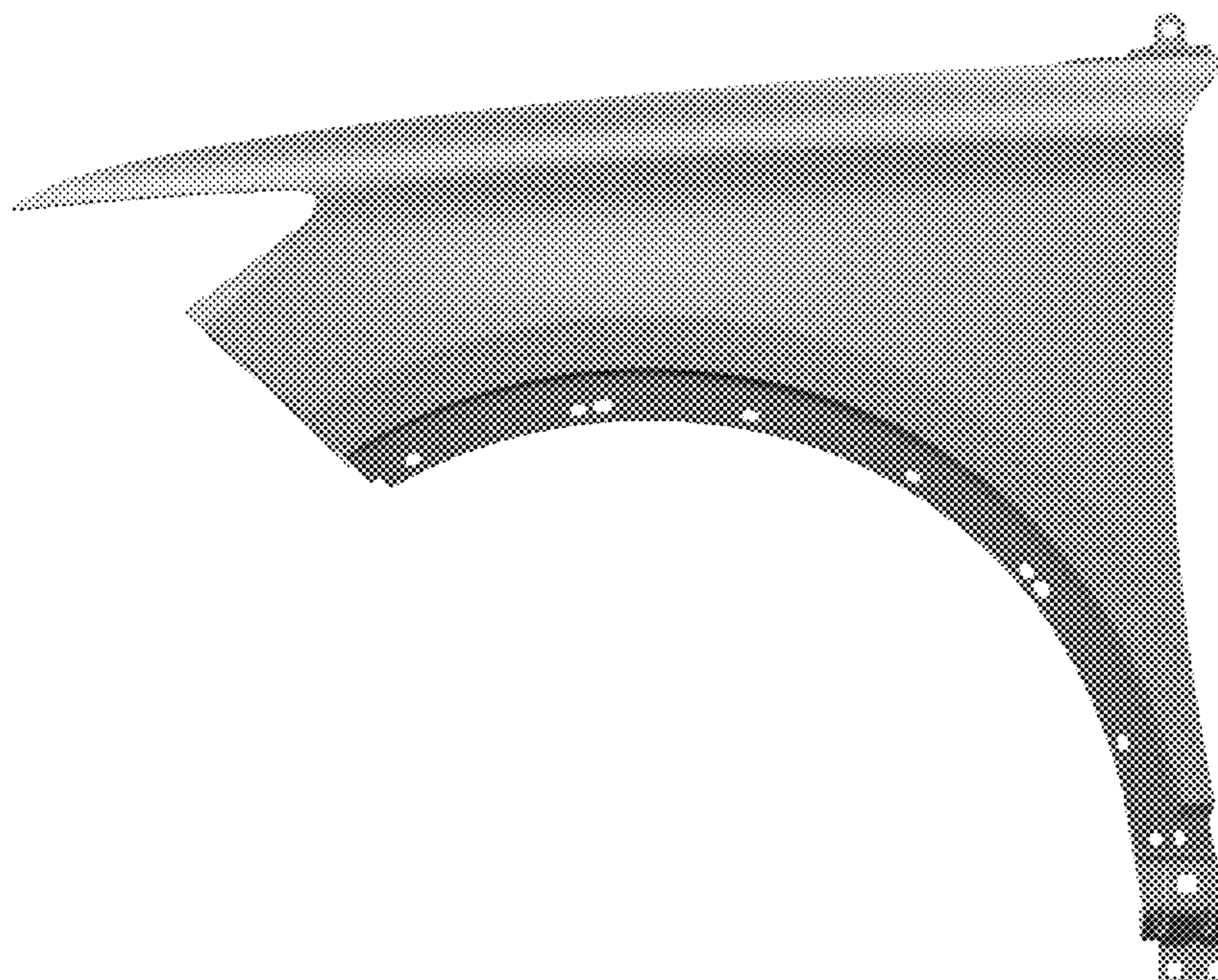
FIG. 1 is a left side perspective view of a vehicle fender showing our new design, the right side being a mirror image and is not shown;
 FIG. 2 is another perspective view thereof;
 FIG. 3 is a front elevational view thereof;
 FIG. 4 is a rear elevational view thereof;
 FIG. 5 is a left side elevational view thereof;
 FIG. 6 is a right side elevational view thereof;
 FIG. 7 is a top plan view thereof; and,
 FIG. 8 is a bottom plan view thereof.

1 Claim, 8 Drawing Sheets

(56) **References Cited**

U.S. PATENT DOCUMENTS

- D620,407 S * 7/2010 Froehlich D12/184
- D659,616 S * 5/2012 Matsumoto et al. D12/184



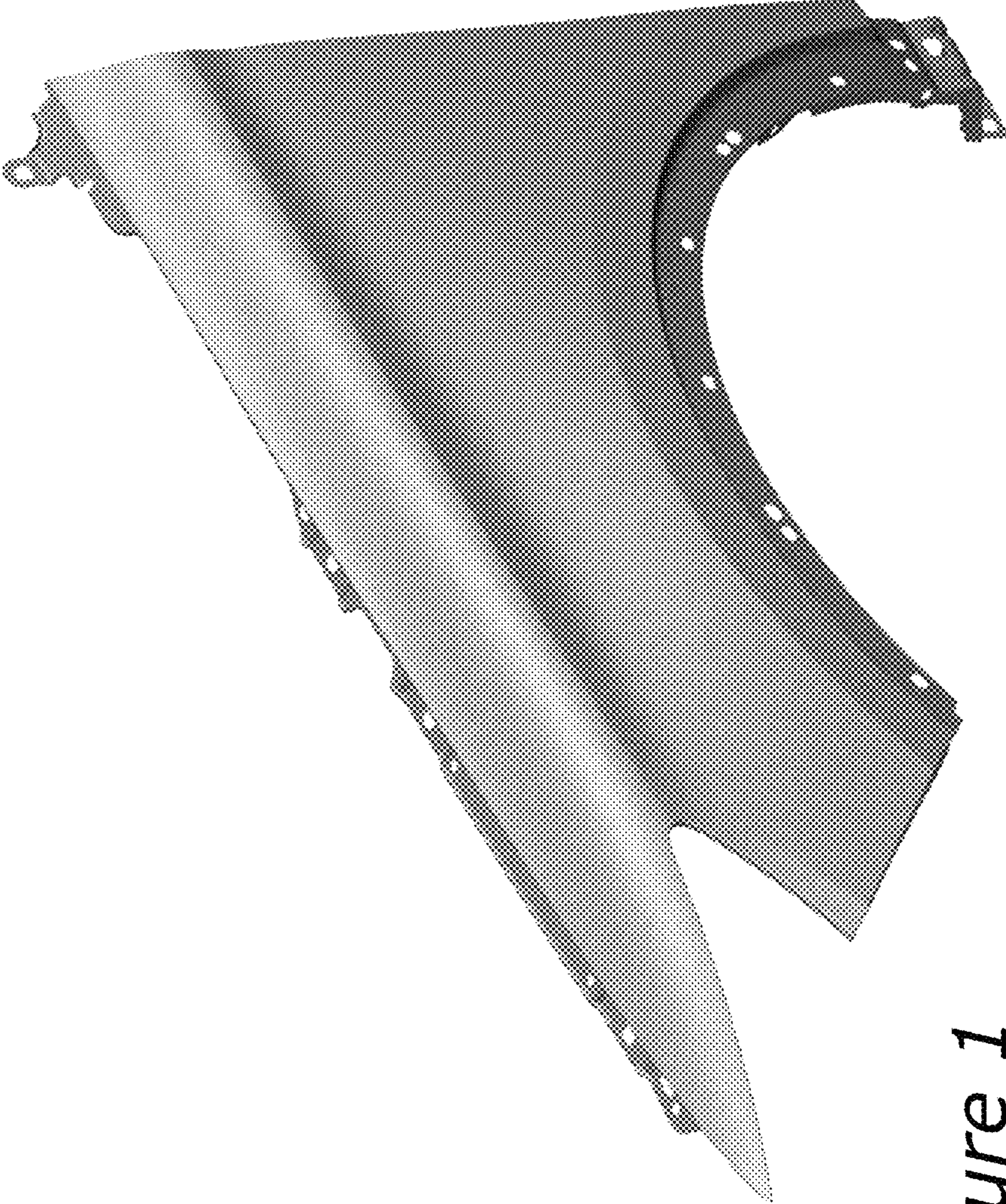


Figure 1

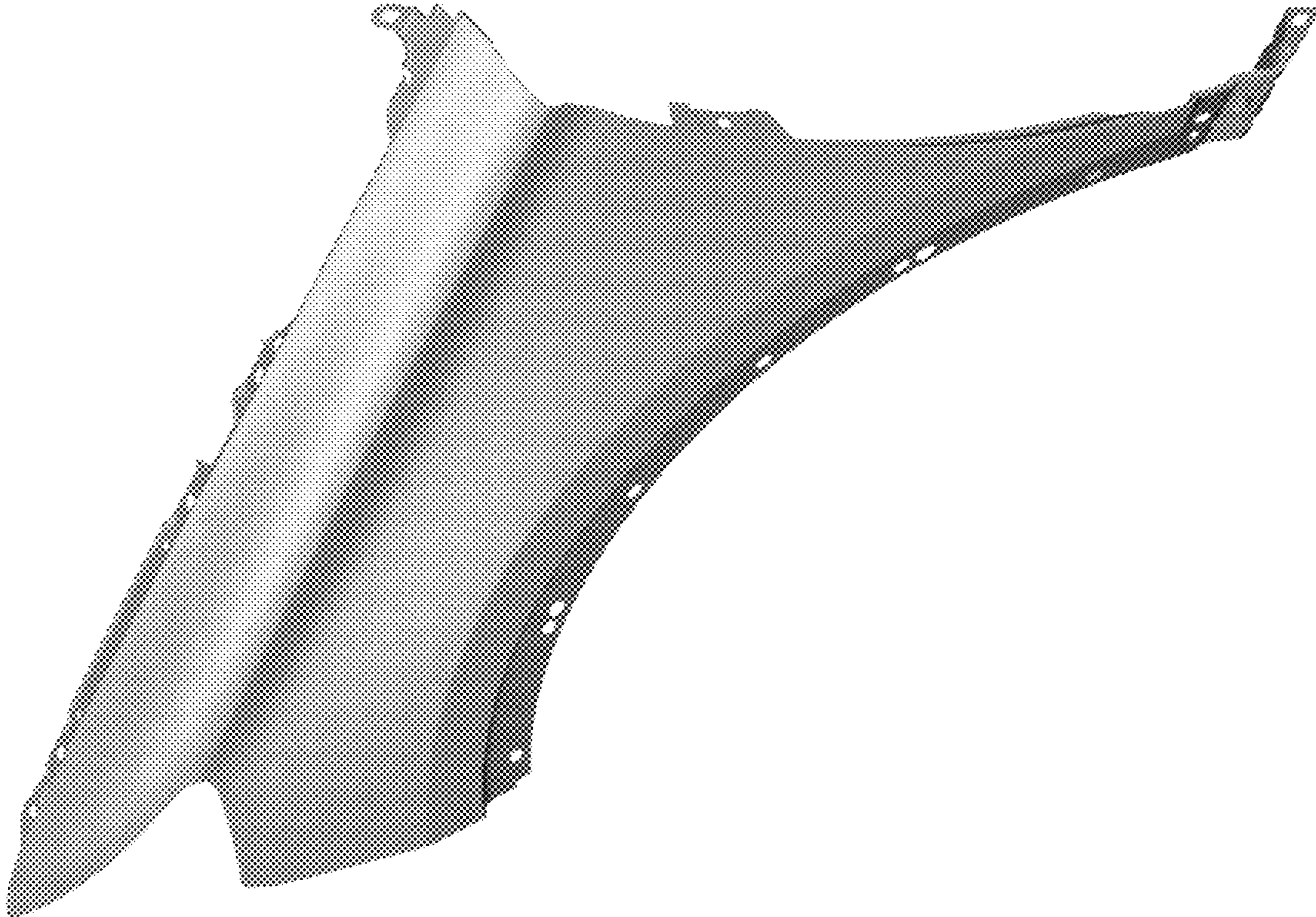
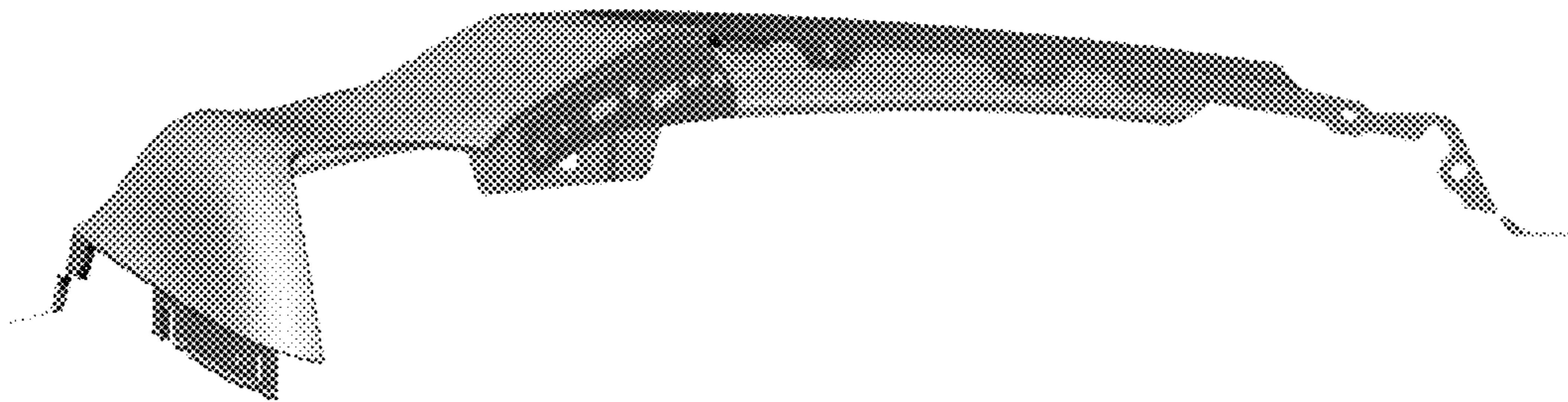


Figure 2

Figure 3



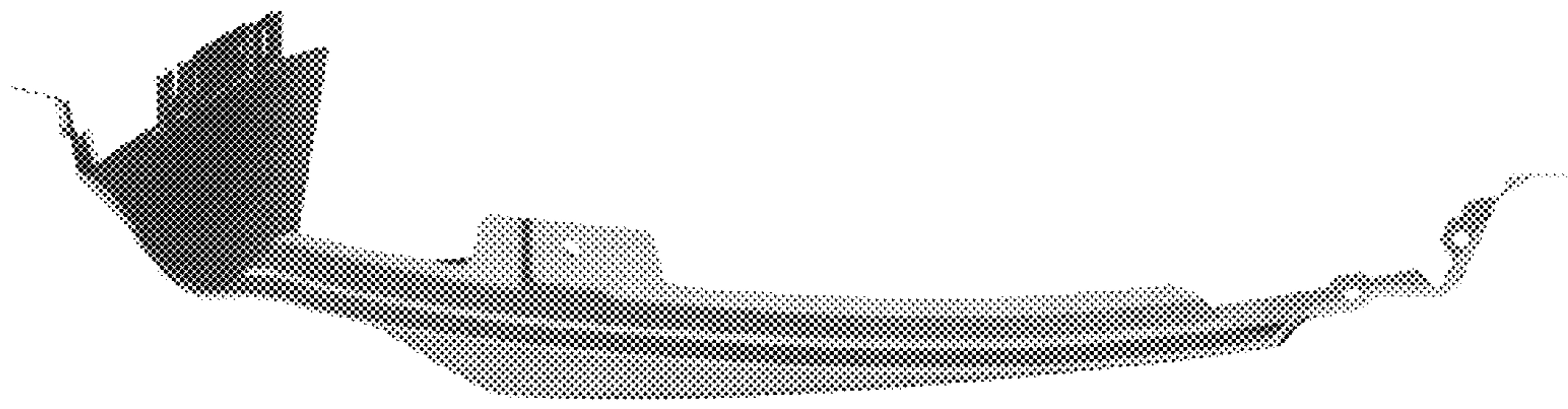


Figure 4



Figure 5



Figure 6

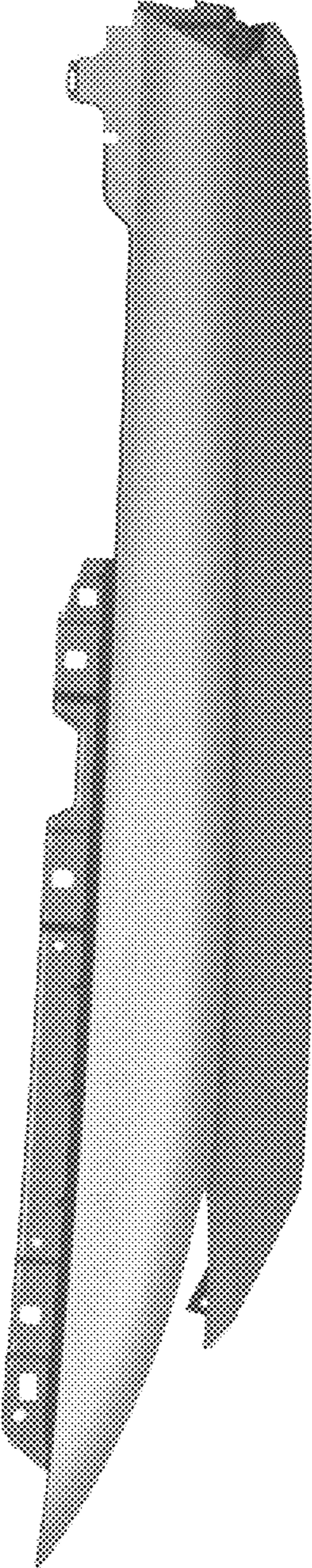


Figure 7

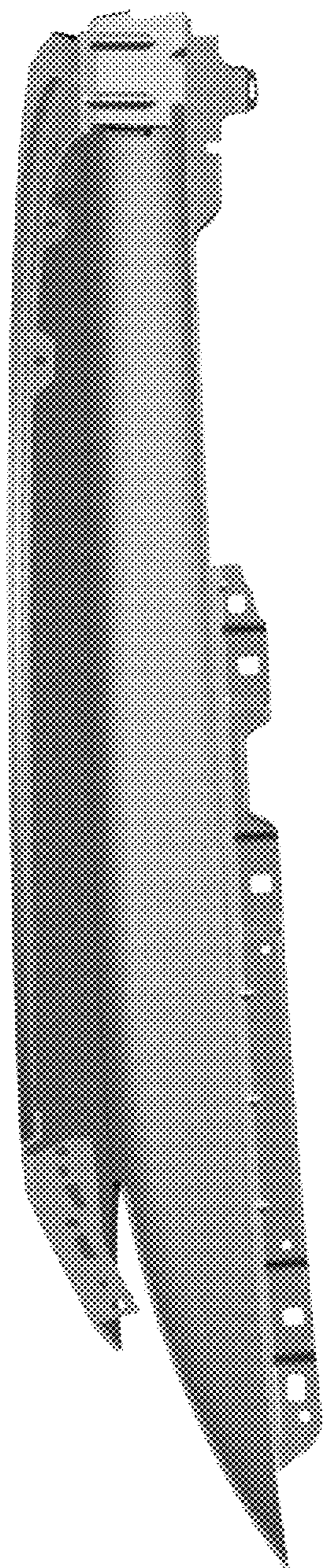


Figure 8