



US00D740187S

(12) **United States Design Patent**
Jamieson

(10) **Patent No.:** **US D740,187 S**
(45) **Date of Patent:** **** Oct. 6, 2015**

(54) **VEHICLE HOOD**

(71) Applicant: **GM GLOBAL TECHNOLOGY OPERATIONS LLC**, Detroit, MI (US)

(72) Inventor: **Stuart Jamieson**, Burbank, CA (US)

(73) Assignee: **GM GLOBAL TECHNOLOGY OPERATIONS LLC**, Detroit, MI (US)

(**) Term: **14 Years**

(21) Appl. No.: **29/482,161**

(22) Filed: **Feb. 14, 2014**

(51) **LOC (10) Cl.** **12-08**

(52) **U.S. Cl.**
USPC **D12/173**

(58) **Field of Classification Search**
USPC D12/173, 90-92, 93, 82, 86, 181, 196;
296/181.1, 181.5, 193.11; 180/69.2,
180/69.21
CPC .. B60R 21/34; B60R 21/38; B60R 2021/343;
B62D 25/10; B62D 25/105
See application file for complete search history.

(56) **References Cited**

U.S. PATENT DOCUMENTS

D579,832 S	*	11/2008	Opfer et al.	D12/173
D597,454 S	*	8/2009	Wagner et al.	D12/173
D630,971 S	*	1/2011	Jung et al.	D12/91
D641,669 S	*	7/2011	Vardis	D12/173
D669,403 S	*	10/2012	Gifford	D12/173
D679,227 S	*	4/2013	Schmeckpeper	D12/173

D683,675 S	*	6/2013	Munson et al.	D12/173
D700,549 S	*	3/2014	Capristo	D12/173
D700,550 S	*	3/2014	Capristo	D12/173
D706,185 S	*	6/2014	Mackay	D12/173
D707,595 S	*	6/2014	Kavaja	D12/173
D709,003 S	*	7/2014	Jung	D12/173
D709,004 S	*	7/2014	Jung	D12/173
D710,269 S	*	8/2014	O'Donnell et al.	D12/173
D710,768 S	*	8/2014	Ishizuka et al.	D12/173
D712,323 S	*	9/2014	Mays et al.	D12/173
D718,683 S	*	12/2014	Thole et al.	D12/173
D718,684 S	*	12/2014	Thole et al.	D12/173
D718,686 S	*	12/2014	Hammoud et al.	D12/173
D721,307 S	*	1/2015	Platto et al.	D12/173

* cited by examiner

Primary Examiner — Barbara Fox

Assistant Examiner — Clese Moore, Jr.

(74) *Attorney, Agent, or Firm* — Parks Wood LLC; Mickki D. Murray

(57) **CLAIM**

The ornamental design for a vehicle hood, as shown and described.

DESCRIPTION

FIG. 1 is a perspective view of a vehicle hood showing the new design;

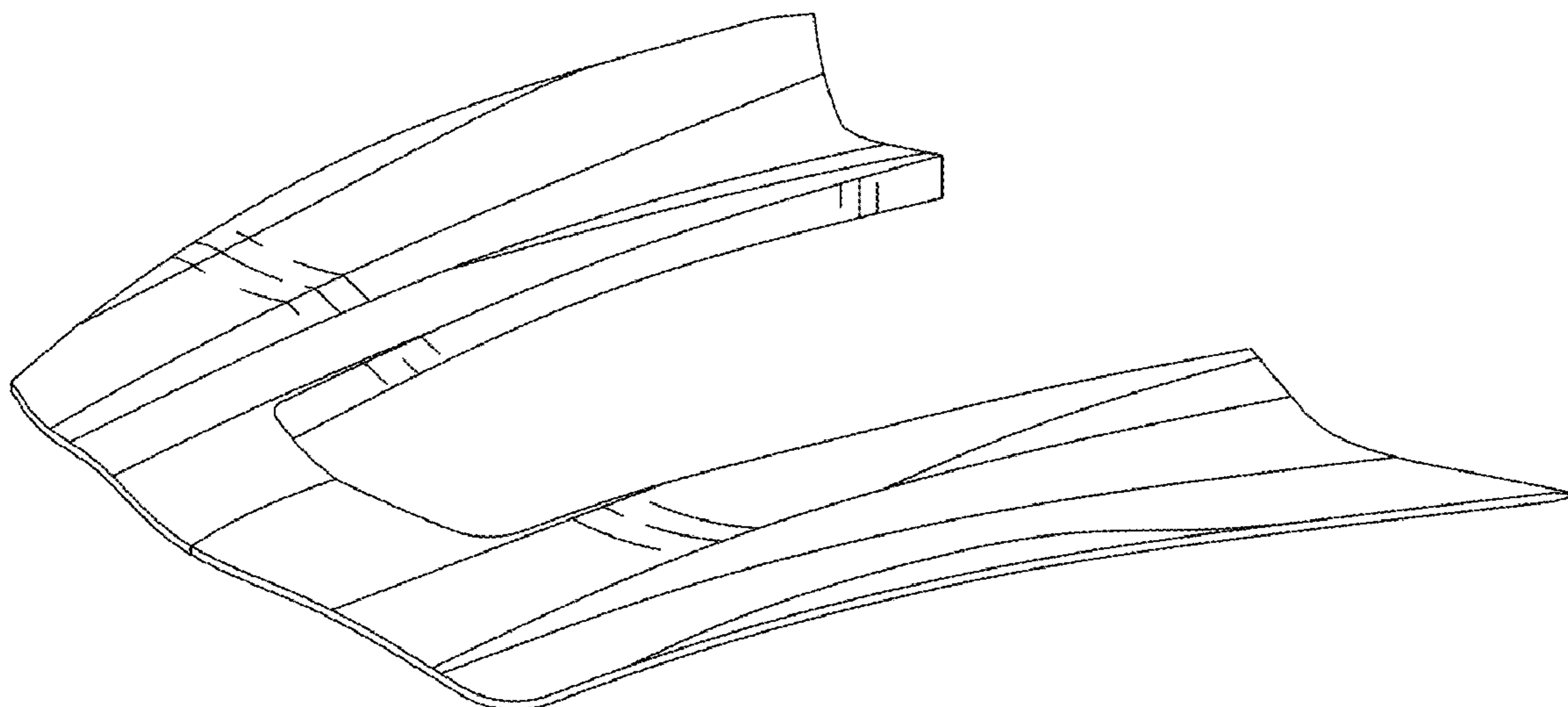
FIG. 2 is a top view, thereof;

FIG. 3 is a front view thereof; and,

FIG. 4 is a side plan view thereof.

The broken lines shown illustrate portions of the vehicle hood that form no part of the claimed design.

1 Claim, 2 Drawing Sheets



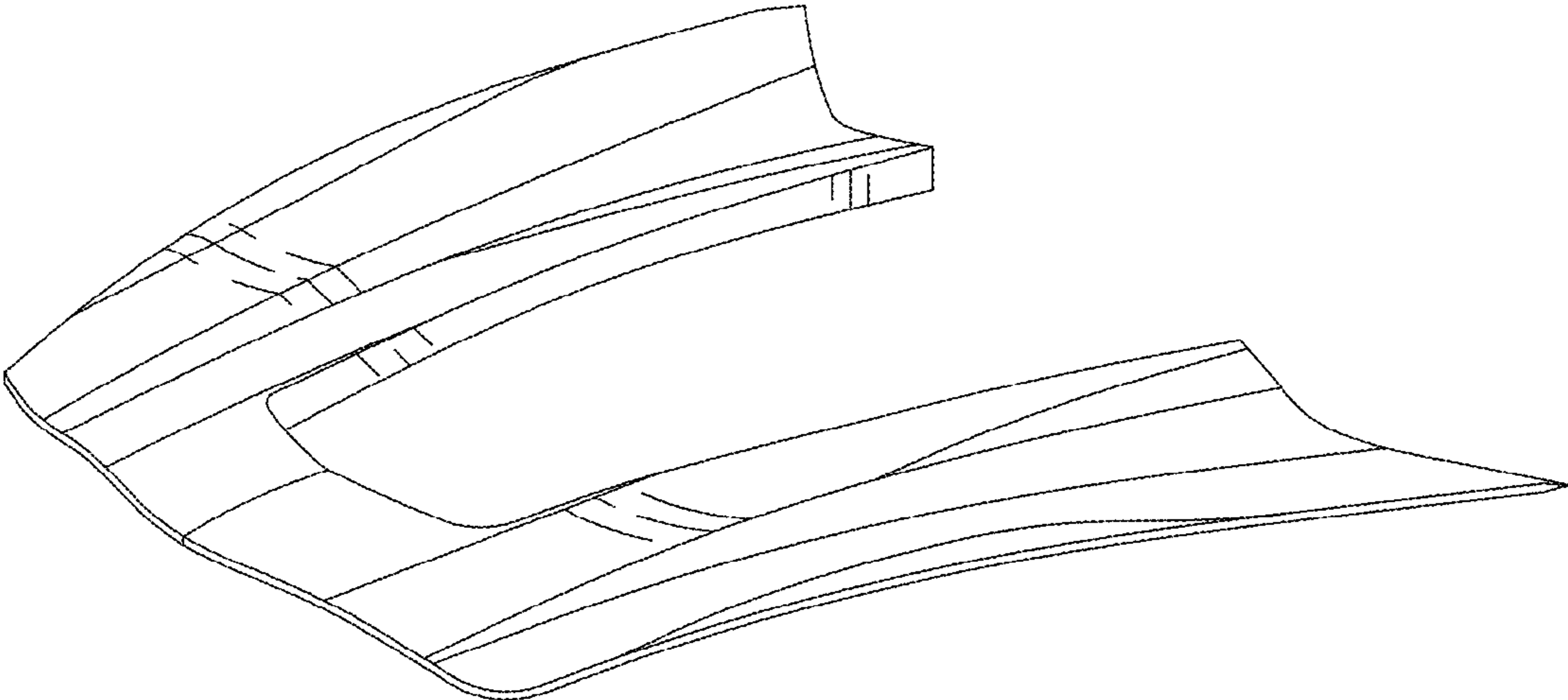


Fig-1

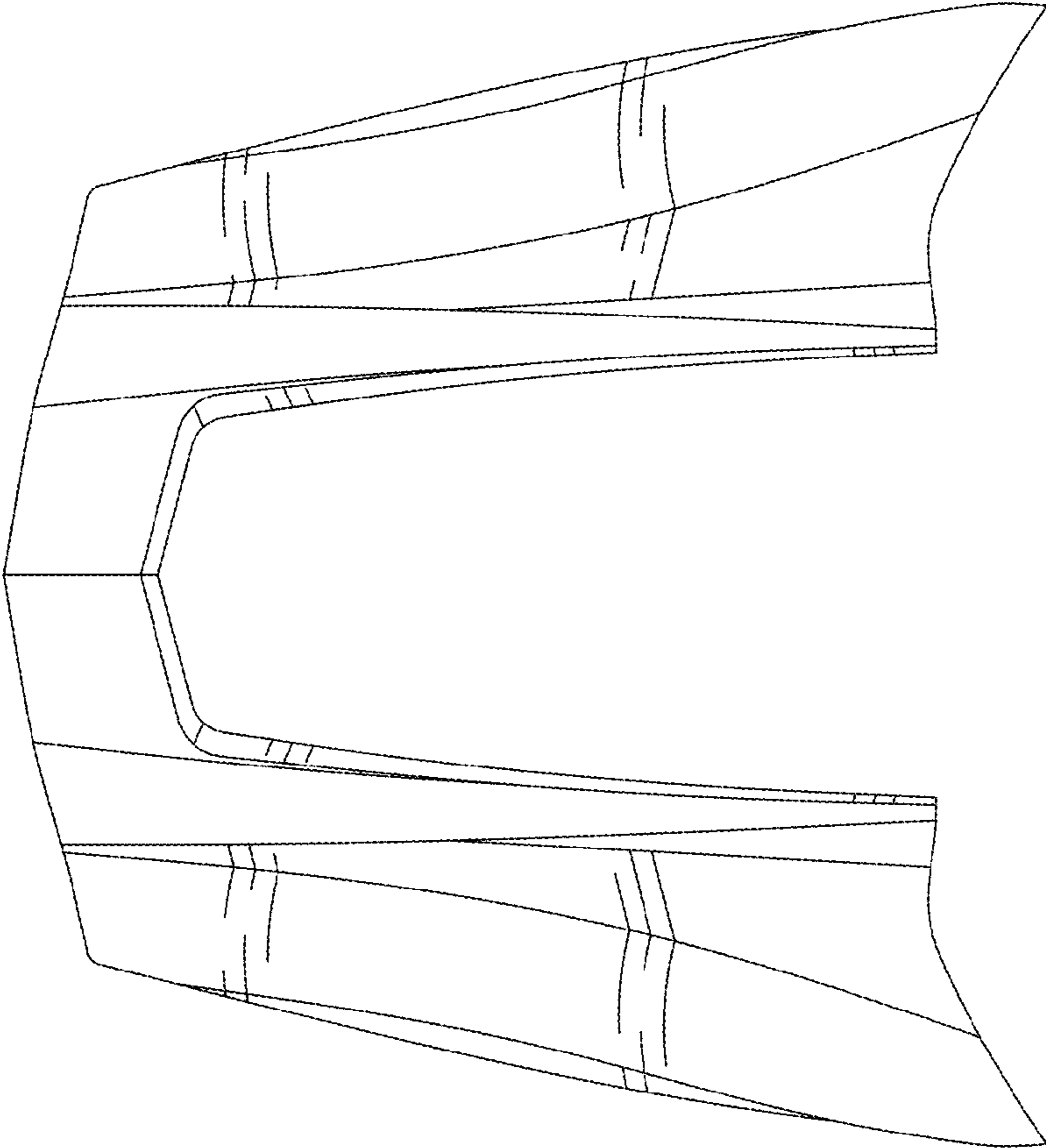


Fig-2

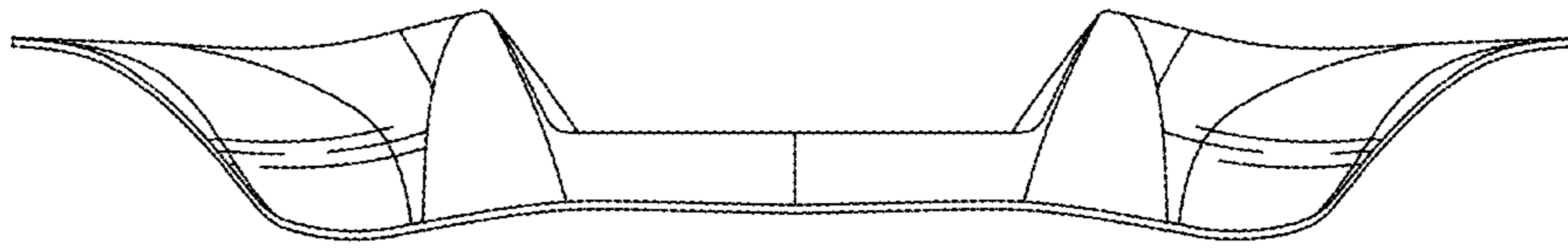


Fig-3

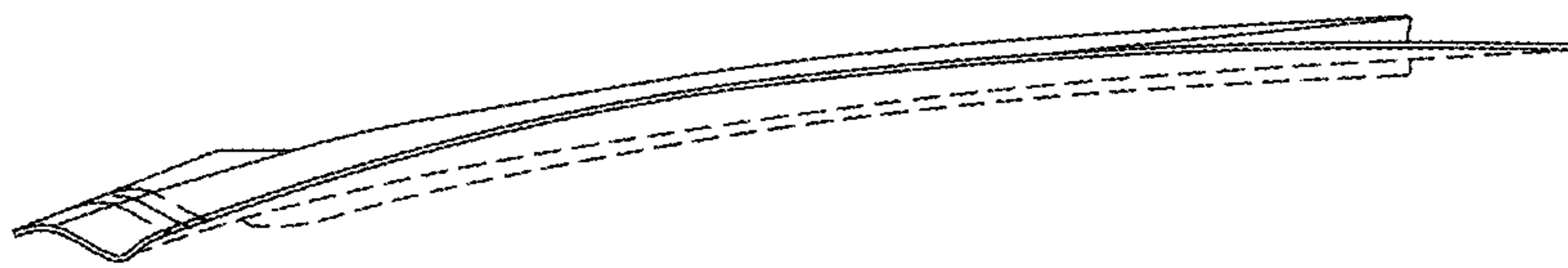


Fig-4