



US00D740186S

(12) **United States Design Patent**
Gunnarson

(10) **Patent No.:** **US D740,186 S**

(45) **Date of Patent:** **** Oct. 6, 2015**

(54) **BUMPER**

(71) Applicant: **Volvo Car Corporation**, Göteborg (SE)

(72) Inventor: **Anders Gunnarson**, Kullavik (SE)

(73) Assignee: **Volvo Car Corporation**, Gothenburg (SE)

(**) Term: **14 Years**

(21) Appl. No.: **29/496,461**

(22) Filed: **Jul. 14, 2014**

(30) **Foreign Application Priority Data**

Jan. 28, 2014 (EM) 001405690

(51) **LOC (10) Cl.** **12-16**

(52) **U.S. Cl.**
USPC **D12/169**

(58) **Field of Classification Search**
USPC D12/169, 216, 90-92, 86, 171, 196,
D12/163; 293/102, 113, 115, 117, 120;
296/180.1, 180.2

CPC . B60R 19/52; B60R 2019/25; B62D 25/0845
See application file for complete search history.

(56) **References Cited**

U.S. PATENT DOCUMENTS

D522,937 S *	6/2006	Tada	D12/169
D576,928 S *	9/2008	Miyazaki	D12/169
D578,447 S *	10/2008	Sawai	D12/169
D583,723 S *	12/2008	Murakami	D12/169
D583,730 S *	12/2008	Tonello	D12/169
D584,202 S *	1/2009	Sonoda et al.	D12/169
D585,797 S *	2/2009	Suzuki et al.	D12/169
D586,271 S *	2/2009	Futschik et al.	D12/169
D610,500 S *	2/2010	Kulla et al.	D12/169
D620,404 S *	7/2010	Ward	D12/169
D627,275 S *	11/2010	Sakae et al.	D12/169
D647,437 S *	10/2011	Varga	D12/169

D666,130 S *	8/2012	Varga	D12/169
D670,626 S *	11/2012	Goto	D12/169
D682,754 S *	5/2013	Robinson	D12/169
D689,119 S *	9/2013	Lochen	D17/10
D700,114 S *	2/2014	Wada	D12/169
D701,152 S *	3/2014	Saracoglu	D12/169
D703,117 S *	4/2014	Osborne et al.	D12/169
D708,995 S *	7/2014	Chen et al.	D12/169
D712,801 S *	9/2014	Kobayashi	D12/169
D719,072 S *	12/2014	Robinson	D12/169

FOREIGN PATENT DOCUMENTS

DE 402013100323-0001 4/2015

OTHER PUBLICATIONS

Volvo Concept Coupe photo—first public showing Aug. 2013 (1 page).

Volvo V526 photos (10 pages).

Official Action dated Mar. 13, 2015 in counterpart Russian Application No. 2014502804, filed Jul. 22, 2014 with English translation.

* cited by examiner

Primary Examiner — Melody N Brown

(74) *Attorney, Agent, or Firm* — Renner, Otto, Boisselle & Sklar, LLP

(57) **CLAIM**

The ornamental design for a bumper, as shown and described.

DESCRIPTION

FIG. 1 is a perspective view of a bumper showing my new design.

FIG. 2 is another perspective view thereof.

FIG. 3 is a front view thereof.

FIG. 4 is a rear view thereof.

FIG. 5 is a top view thereof.

FIG. 6 is a bottom view thereof; and,

FIG. 7 is a left side view thereof, a right side view being a mirror image of the left side view.

1 Claim, 3 Drawing Sheets

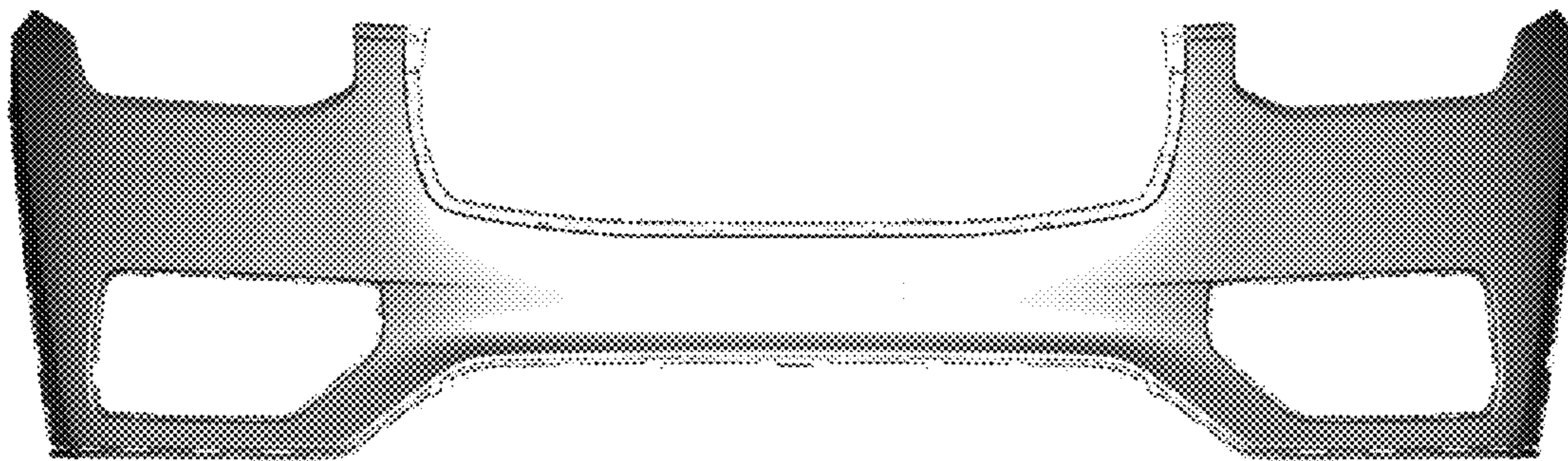


FIG. 1

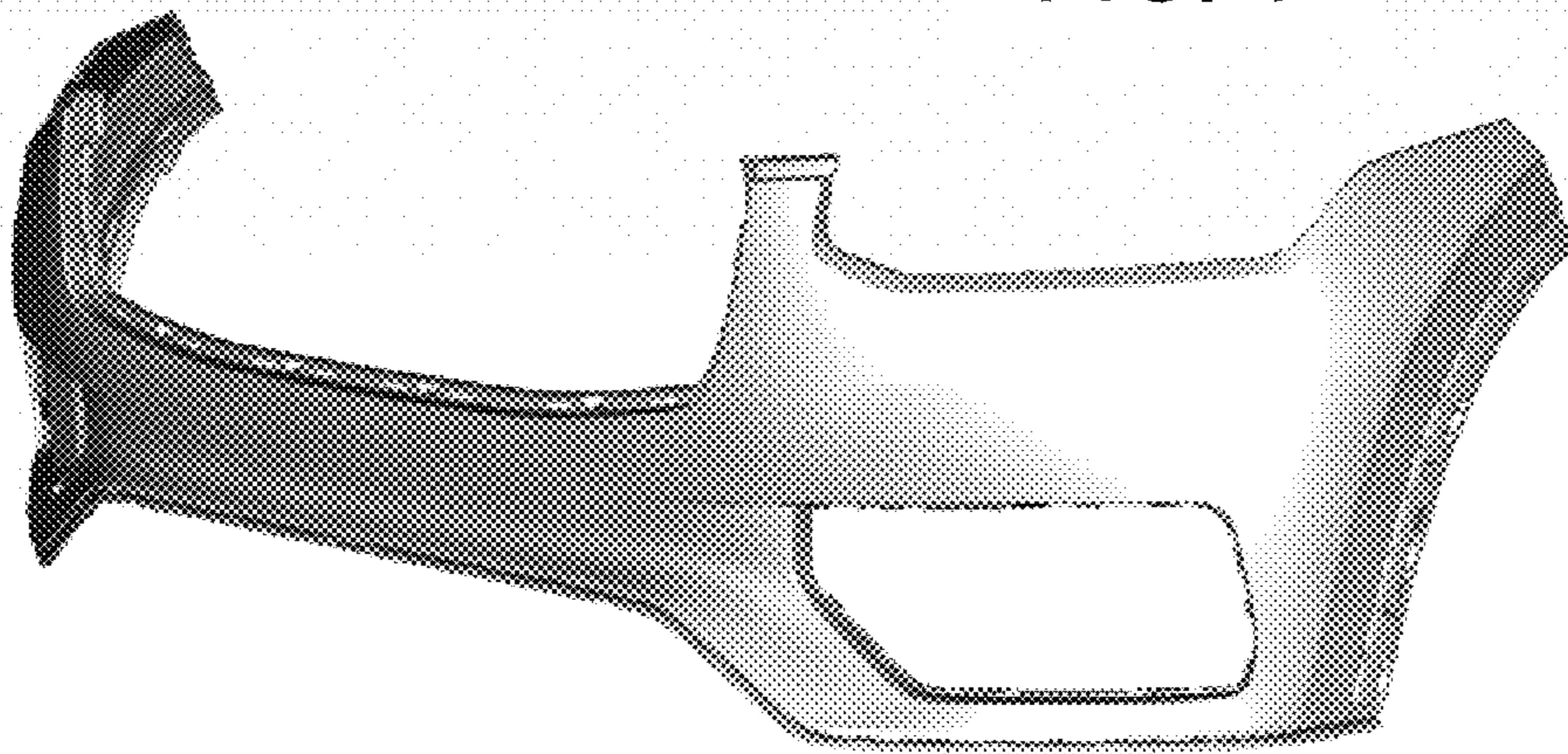
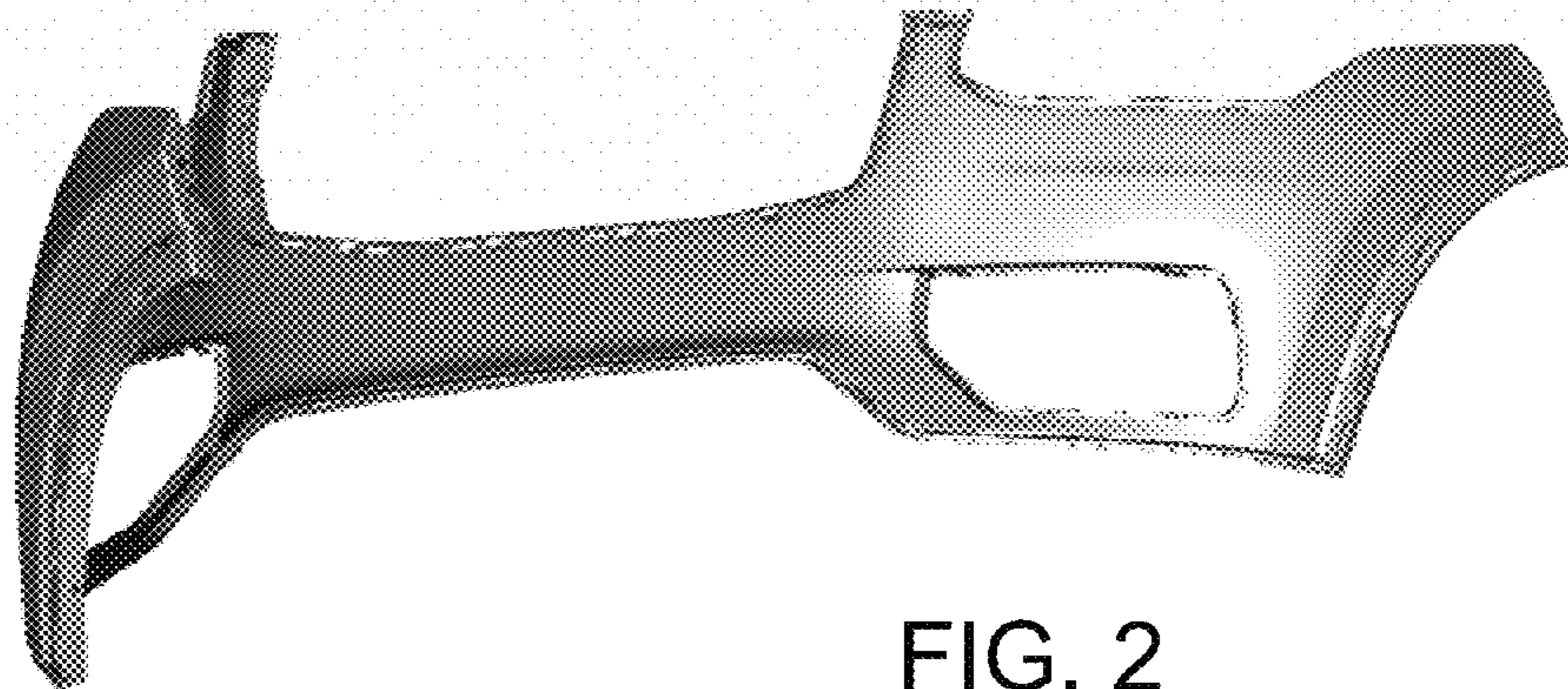


FIG. 2



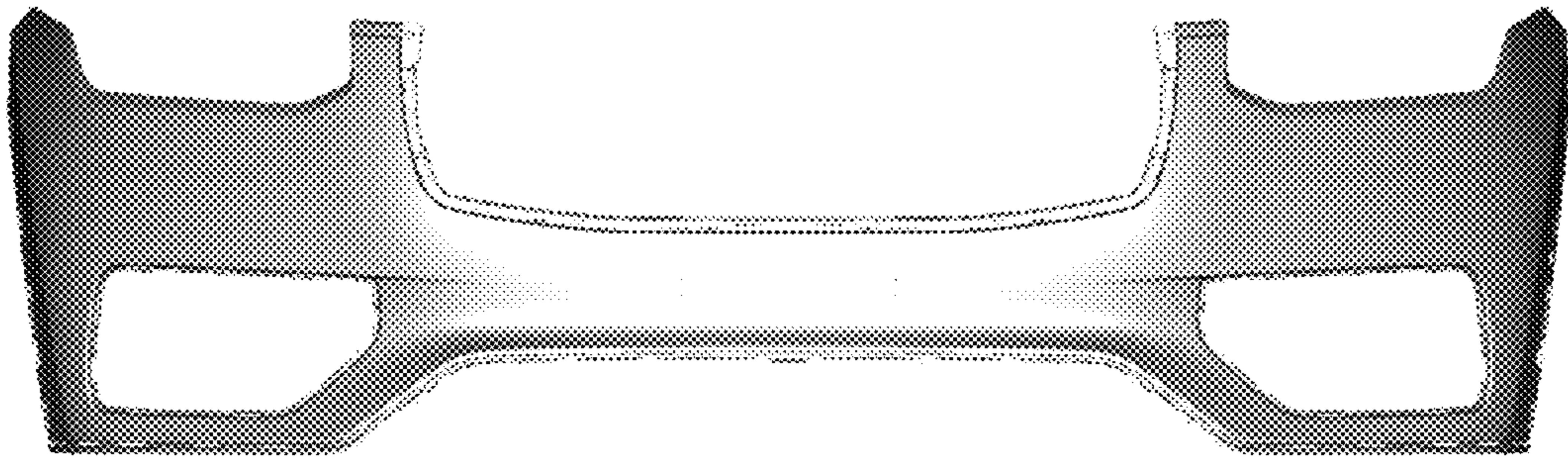


FIG. 3

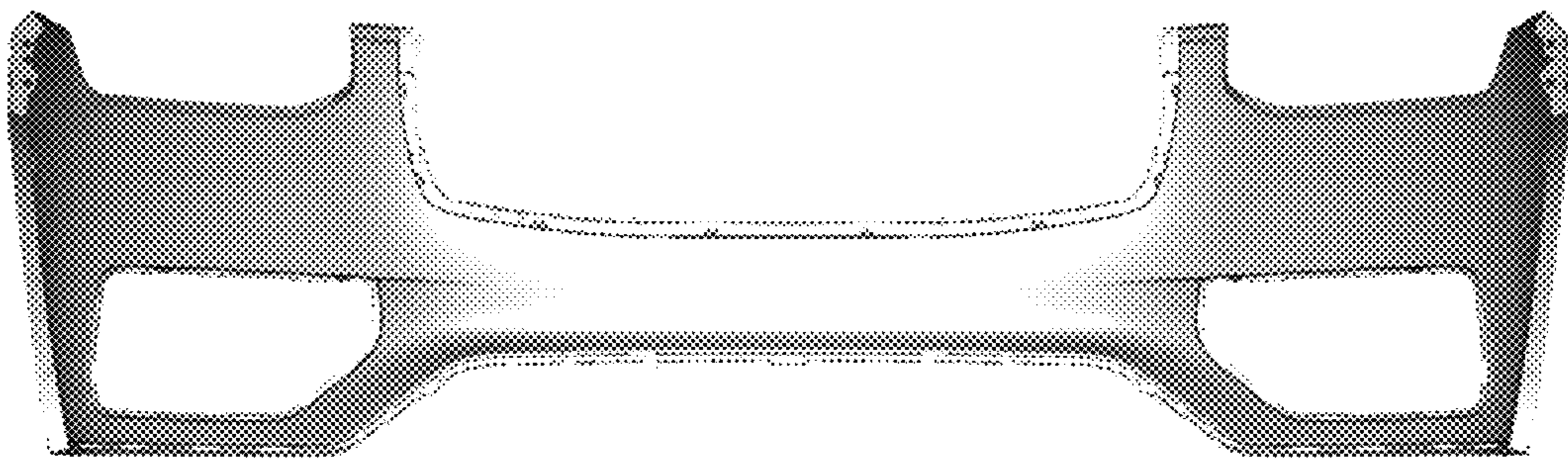


FIG. 4

