



US00D740185S

(12) **United States Design Patent**
Blanski et al.

(10) **Patent No.:** **US D740,185 S**

(45) **Date of Patent:** **** Oct. 6, 2015**

(54) **VEHICLE FRONT UPPER GRILLE**

(71) Applicant: **Ford Motor Company**, Dearborn, MI (US)

(72) Inventors: **Dillon R. Blanski**, Ferndale, MI (US);
Murat Gueler, Cologne (DE);
Christopher Hamilton, Cold Norton (GB)

(73) Assignee: **Ford Motor Company**, Dearborn, MI (US)

(**) Term: **14 Years**

(21) Appl. No.: **29/491,423**

(22) Filed: **May 21, 2014**

(51) **LOC (10) Cl.** **12-16**

(52) **U.S. Cl.**
USPC **D12/163**

(58) **Field of Classification Search**
USPC D12/163, 196, 86, 90-92, 171, 169,
D12/216; 180/68.1, 68.6; 293/193.11
CPC B62D 25/08; B62B 9/16; B60K 11/08;
B60R 19/52
See application file for complete search history.

(56) **References Cited**

U.S. PATENT DOCUMENTS

D545,729 S * 7/2007 Lee et al. D12/163
D561,653 S * 2/2008 Platto et al. D12/163
D562,193 S * 2/2008 Platto et al. D12/163
D568,213 S * 5/2008 Platto et al. D12/92

D578,938 S * 10/2008 Walter et al. D12/163
D579,385 S * 10/2008 Schiavone et al. D12/163
7,455,351 B2 * 11/2008 Nakayama et al. 296/193.1
D596,089 S * 7/2009 Platto et al. D12/163
D596,540 S * 7/2009 Hayashi et al. D12/163
D605,989 S * 12/2009 Leng et al. D12/163
D627,272 S * 11/2010 Fisker et al. D12/163
7,887,125 B2 * 2/2011 Tazaki et al. 296/193.1
D640,956 S * 7/2011 Leahy et al. D12/163
D676,789 S * 2/2013 Song et al. D12/92
D681,515 S * 5/2013 Platto et al. D12/163
D685,694 S * 7/2013 Platto et al. D12/163
D691,930 S * 10/2013 Song et al. D12/163
D703,110 S * 4/2014 Gueler et al. D12/163
D705,137 S * 5/2014 Kawasaki D12/163
D725,555 S * 3/2015 Wolff et al. D12/163

* cited by examiner

Primary Examiner — Melody N Brown

(74) *Attorney, Agent, or Firm* — Damian Porcari

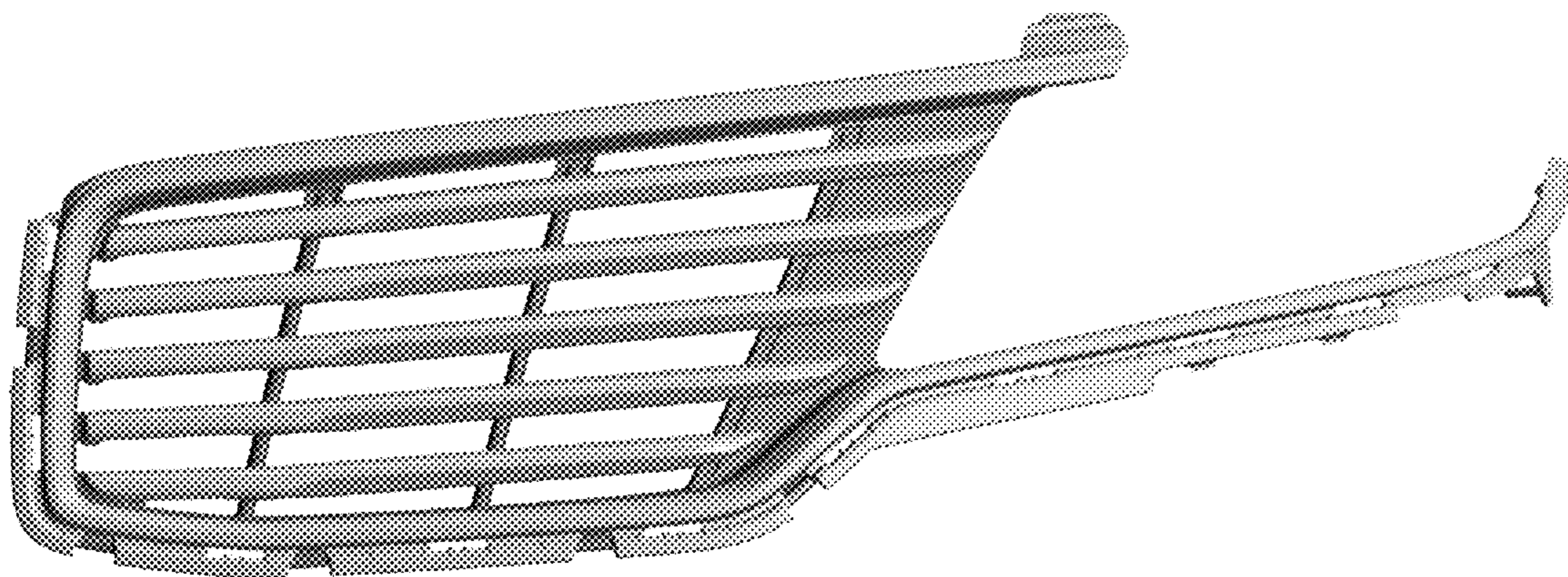
(57) **CLAIM**

The ornamental design for a vehicle front upper grille, as shown and described.

DESCRIPTION

FIG. 1 is a left side perspective view of a vehicle front upper grille showing our new design, the right side being a mirror image and is not shown;
FIG. 2 is another perspective view thereof;
FIG. 3 is a front elevational view thereof;
FIG. 4 is a left side elevational view thereof;
FIG. 5 is a right side elevational view thereof;
FIG. 6 is a top plan view thereof; and,
FIG. 7 is a bottom plan view thereof.

1 Claim, 7 Drawing Sheets



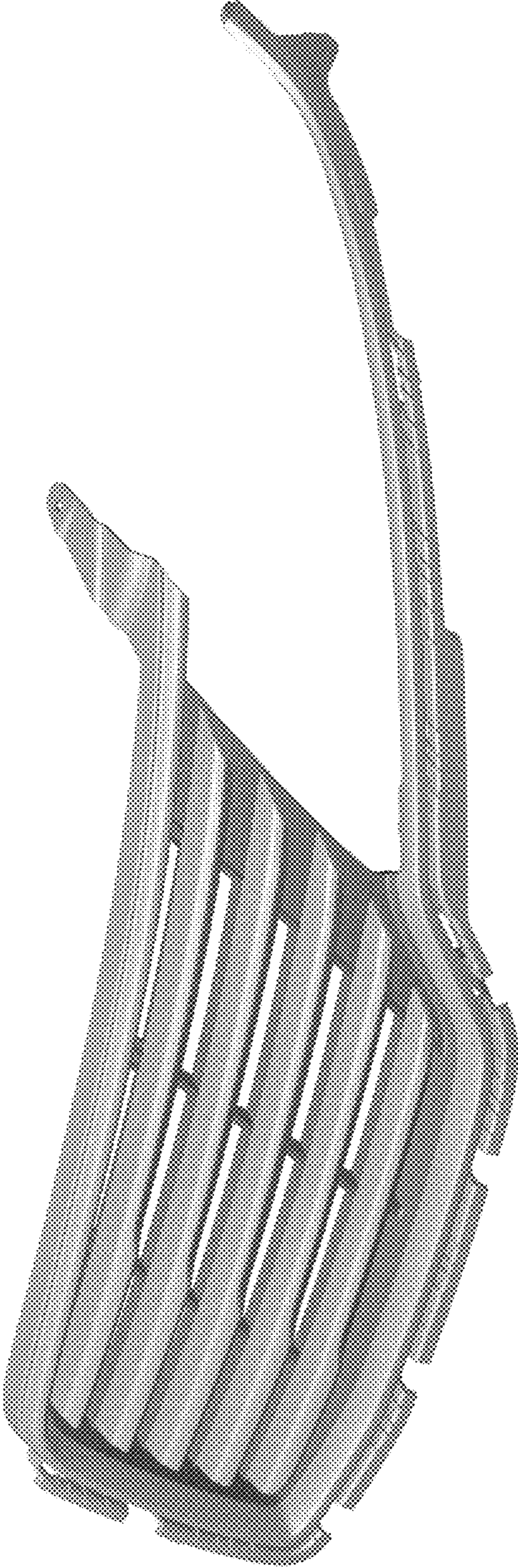


Figure 1

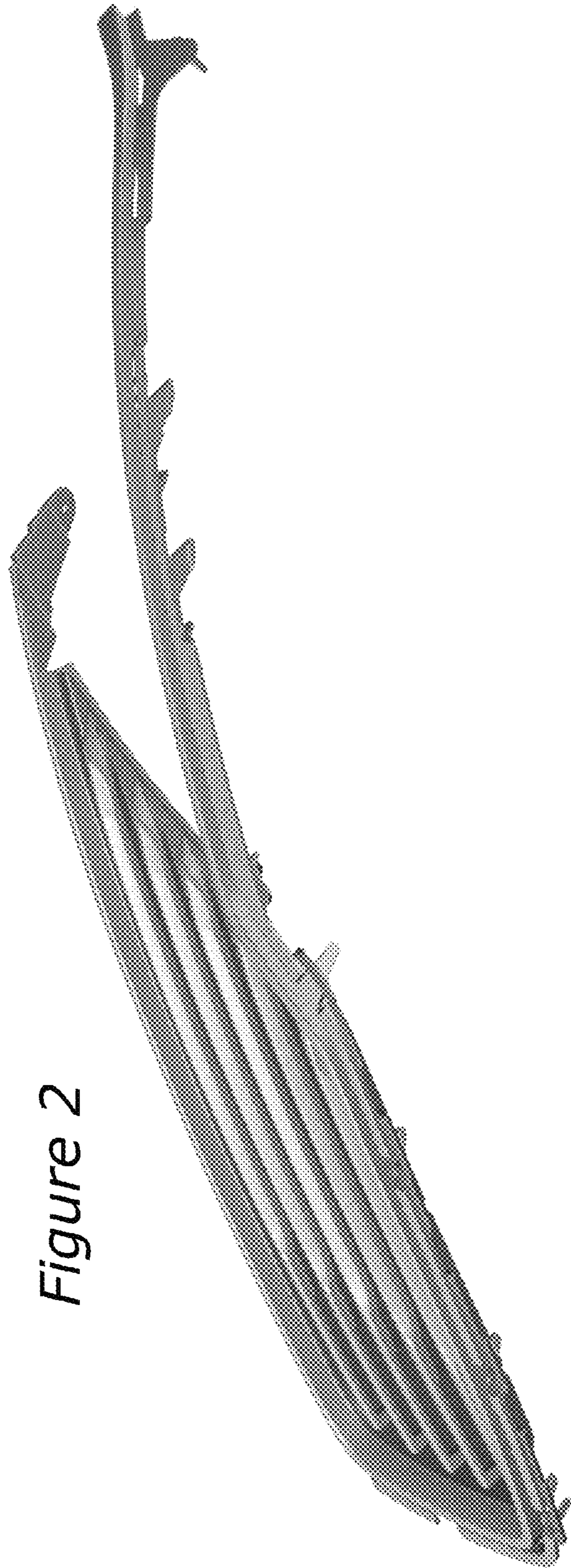


Figure 2

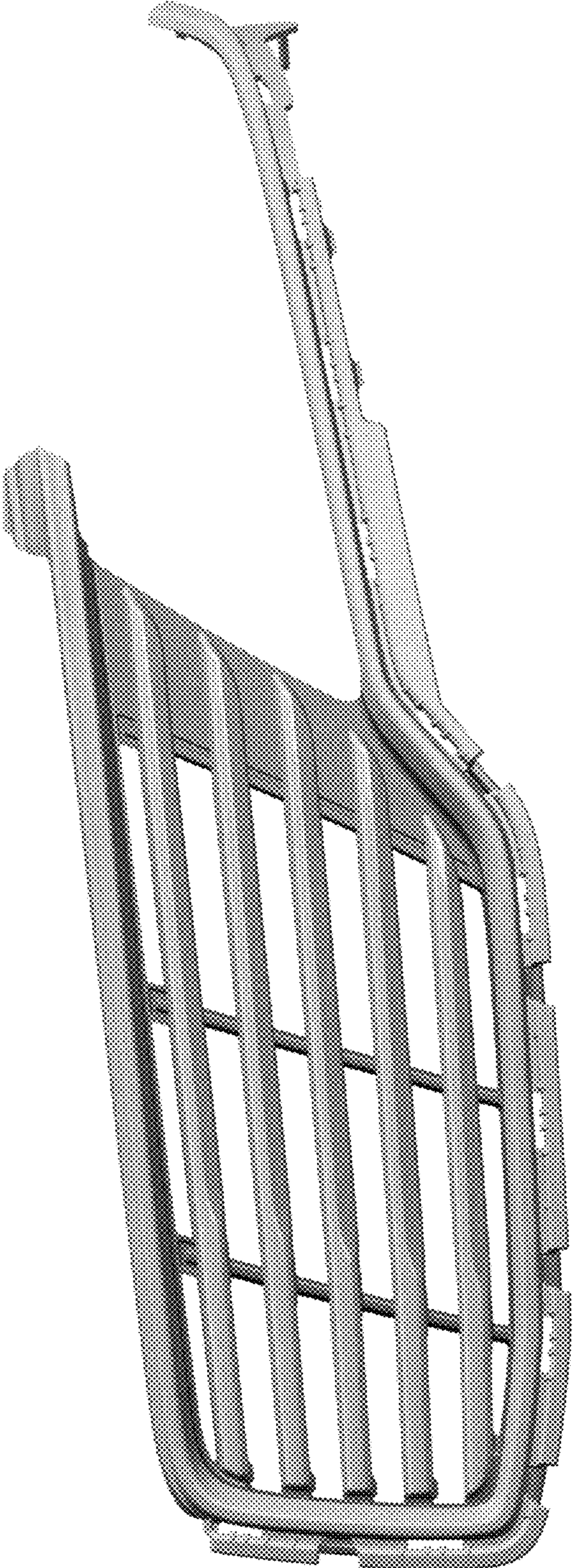


Figure 3

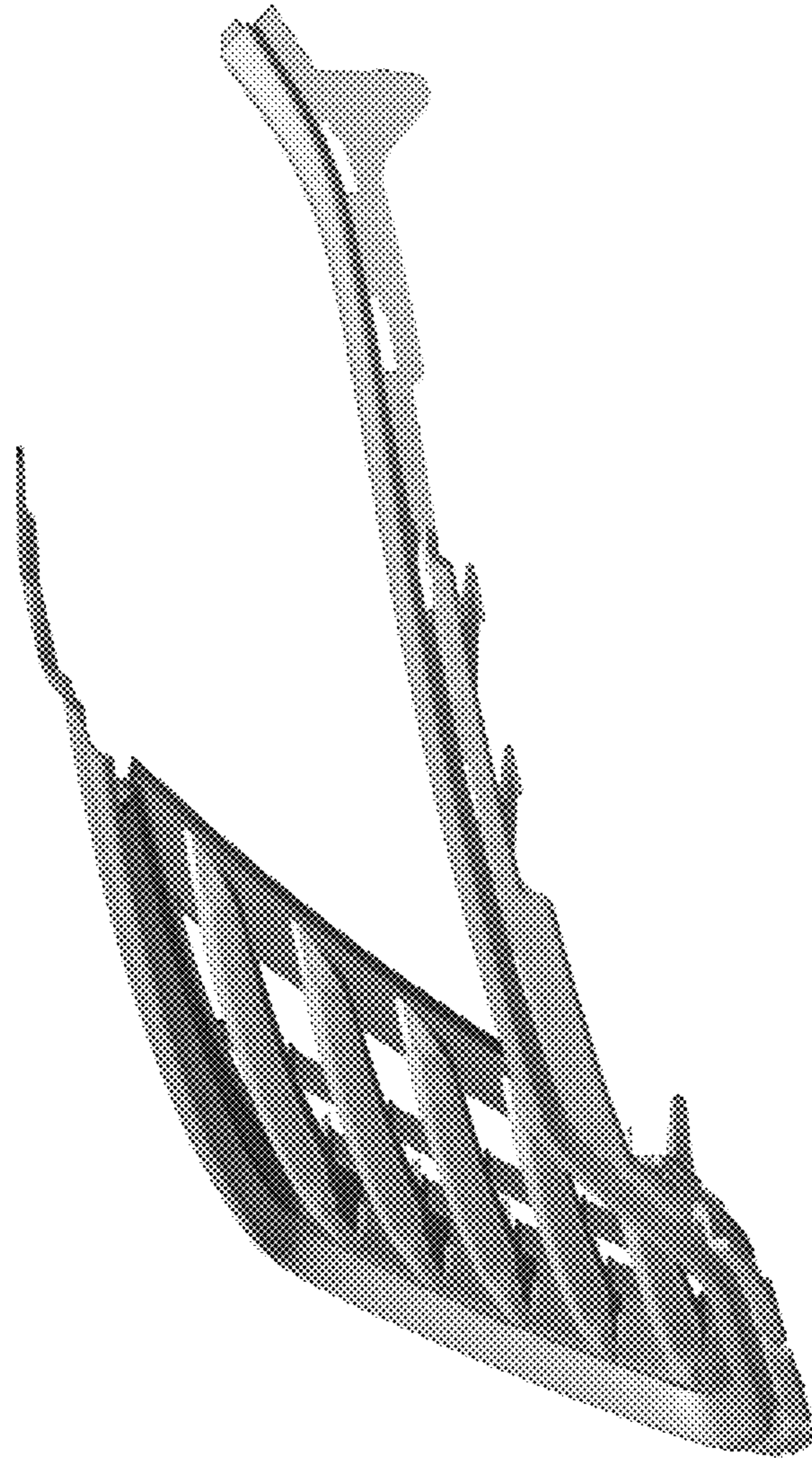


Figure 4

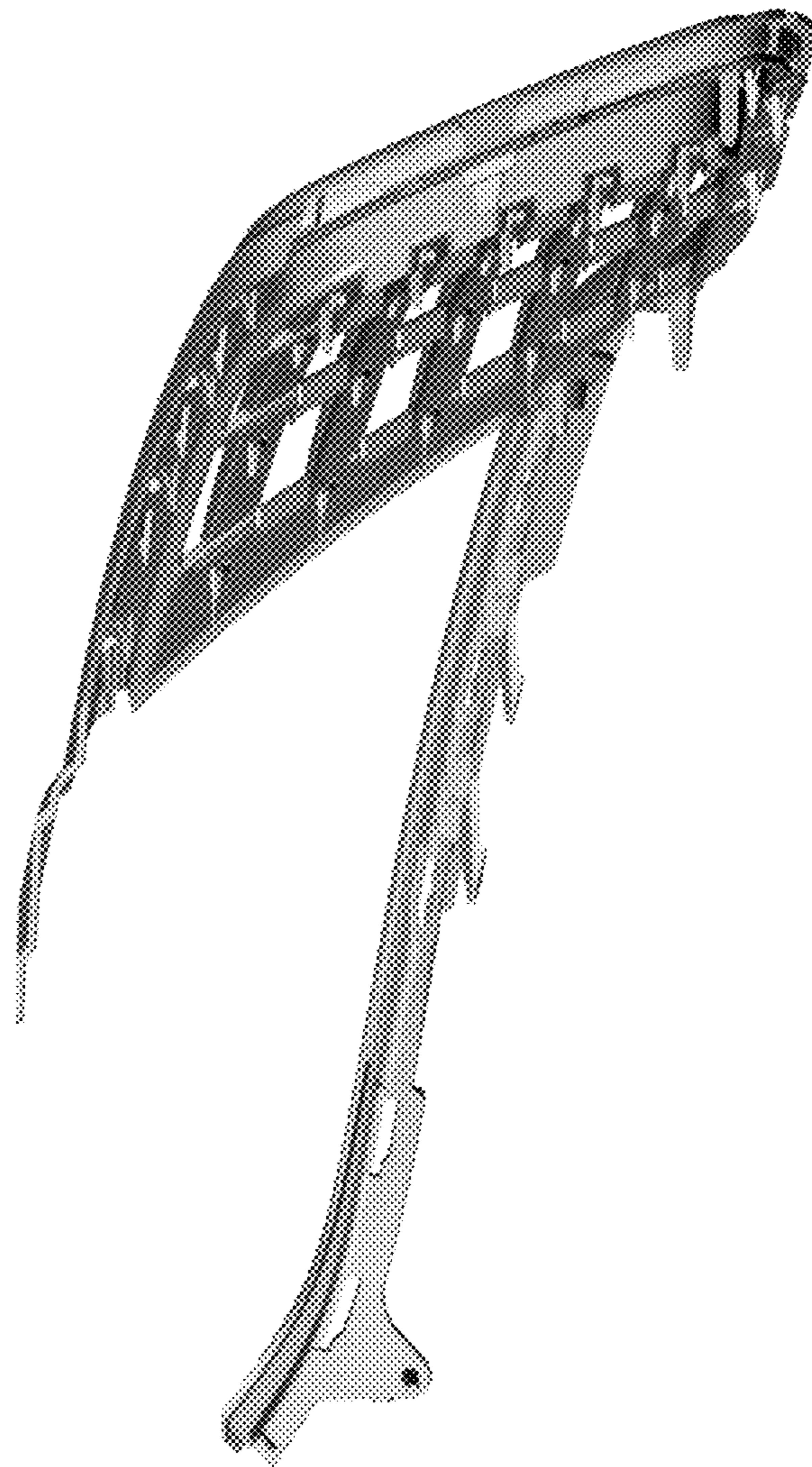


Figure 5

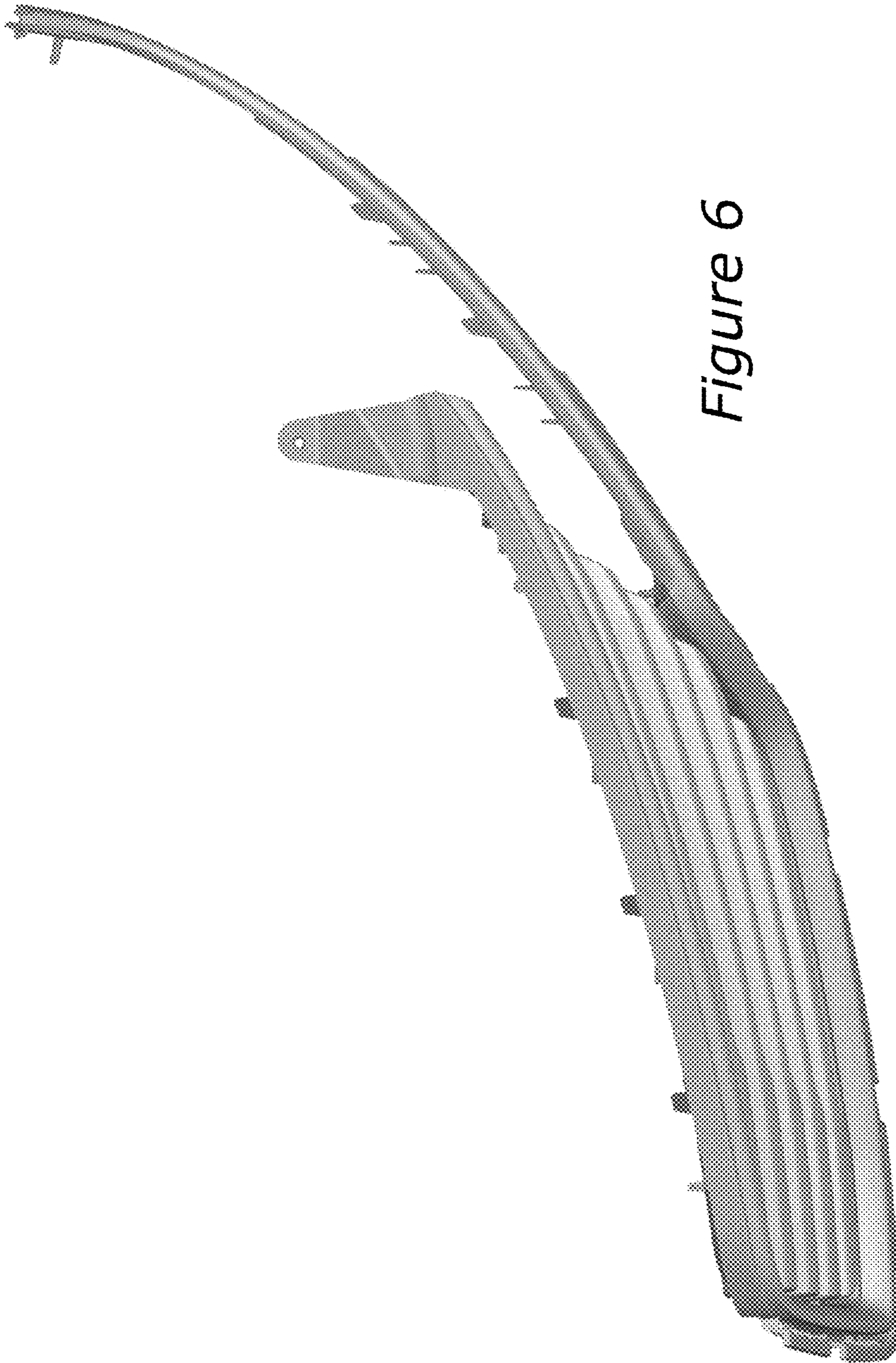


Figure 6

Figure 7

