



US00D740183S

(12) **United States Design Patent**
Troutman

(10) **Patent No.:** **US D740,183 S**
(45) **Date of Patent:** **** Oct. 6, 2015**

- (54) **BALL HITCH SAFETY DEVICE**
- (71) Applicant: **TowSafe, Inc.**, Cullman, AL (US)
- (72) Inventor: **William G. Troutman**, Cullman, AL (US)
- (73) Assignee: **TOWSAFE, INC.**, Culman, AL (US)
- (**) Term: **14 Years**
- (21) Appl. No.: **29/502,678**
- (22) Filed: **Sep. 18, 2014**
- (51) **LOC (10) Cl.** **12-16**
- (52) **U.S. Cl.**
USPC **D12/162**
- (58) **Field of Classification Search**
USPC D12/162, 159–161; 56/DIG. 14; 37/399;
280/406.2, 407, 407.1, 408, 411.1,
280/416.1, 416.2, 416.3, 418, 418.1, 433,
280/434, 435, 441.1, 441.2, 455.1, 456.1,
280/480, 493, 504, 507, 508; 224/42.11,
224/42.12, 42.14, 42.26, 400, 401, 412,
224/413, 488, 494, 500–501, 519, 537;
135/88.05; 150/166
See application file for complete search history.

5,975,553	A	11/1999	Van Vleet	
6,077,004	A	6/2000	Denman, Jr.	
6,155,587	A	12/2000	Milazzo	
6,199,891	B1	3/2001	Bell et al.	
6,312,004	B1	11/2001	Kiss	
6,382,657	B1	5/2002	Lynn et al.	
6,904,835	B2 *	6/2005	Dugan et al.	81/446
7,258,359	B2	8/2007	Wooten	
7,559,570	B2	7/2009	Cearns	
D599,823	S *	9/2009	Tapper	D15/5
7,694,834	B2 *	4/2010	Wolf et al.	213/75 TC
7,753,394	B2	7/2010	Monostori et al.	
7,775,385	B2 *	8/2010	Dudley	213/75 TC
7,810,660	B1 *	10/2010	Dunham	213/75 TC
7,815,211	B2	10/2010	Witchey	
D644,249	S *	8/2011	Tapper	D15/5
8,366,136	B2	2/2013	Svihla	
8,393,629	B2	3/2013	Wotherspoon	
8,469,210	B2 *	6/2013	MacBain et al.	213/75 TC
2007/0096428	A1	5/2007	Miles et al.	
2009/0014402	A1 *	1/2009	Wolf et al.	213/75 TC

FOREIGN PATENT DOCUMENTS

EP 0 282 688 A1 9/1988

* cited by examiner

Primary Examiner — Katrina A Betton
(74) *Attorney, Agent, or Firm* — Angela Holt; Bradley Arant
Boult Cummings LLP

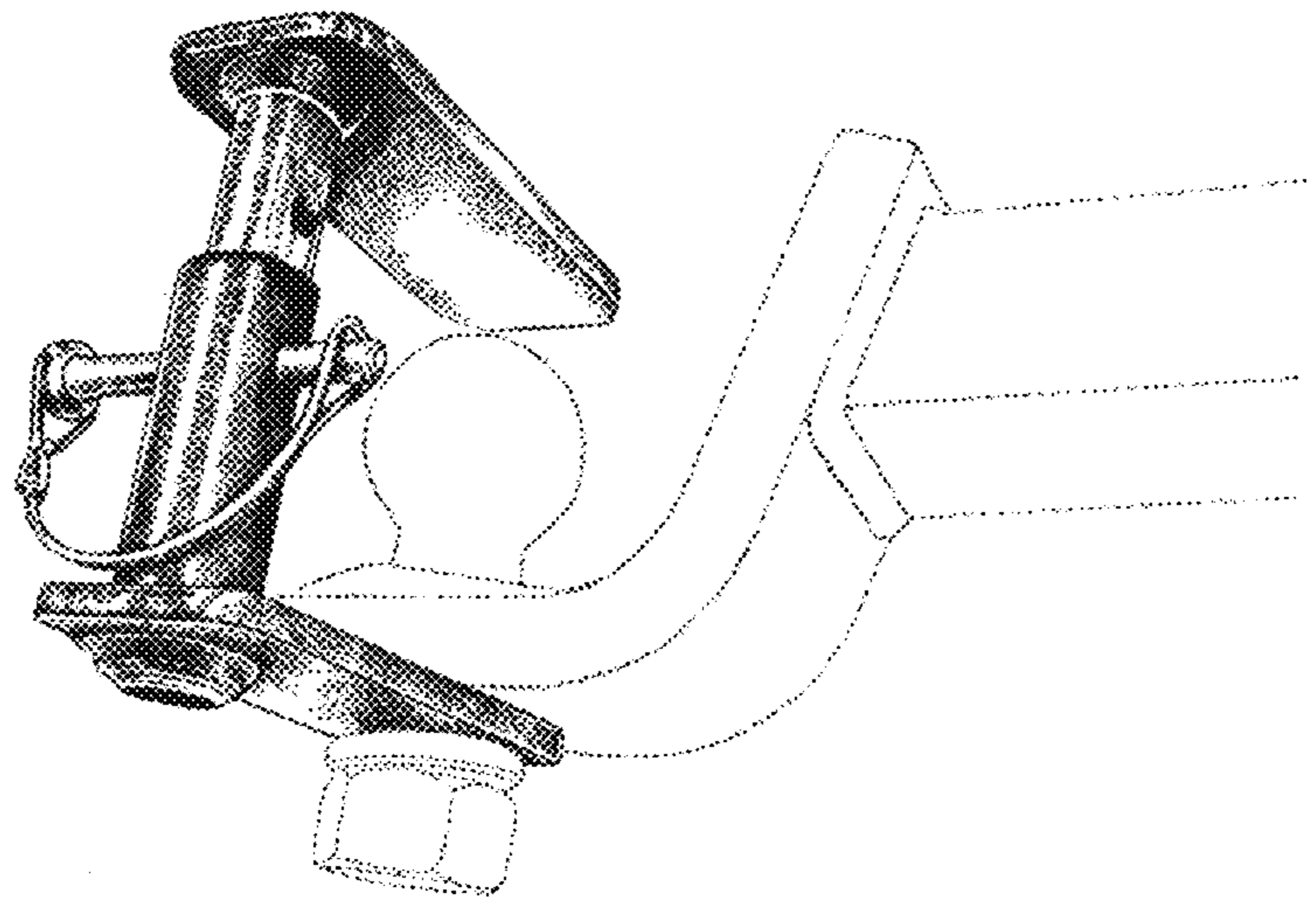
- (56) **References Cited**
U.S. PATENT DOCUMENTS
- 2,208,579 A 7/1940 Haggerty
- 2,677,916 A * 5/1954 Hannapel 213/212
- 2,998,982 A 9/1961 Brazil
- 3,393,924 A 7/1968 Silver
- 3,479,056 A 11/1969 Peters et al.
- 3,549,173 A 12/1970 Stanfield
- 3,664,686 A 5/1972 Anderson
- 4,211,428 A 7/1980 Barcus
- 4,428,596 A 1/1984 Bell et al.
- 5,358,269 A 10/1994 Jakeman et al.
- 5,406,418 A * 4/1995 Deary 359/827

(57) **CLAIM**
The ornamental design for a ball hitch safety device, as shown and described.

DESCRIPTION

FIG. 1 is a side perspective view of the device.
FIG. 2 is a side perspective view of the device of FIG. 1.
FIG. 3 is a rear perspective of the device of FIG. 1.
FIG. 4 is a bottom view of the device of FIG. 1; and,
FIG. 5 is a top view of the device of FIG. 1.

1 Claim, 2 Drawing Sheets



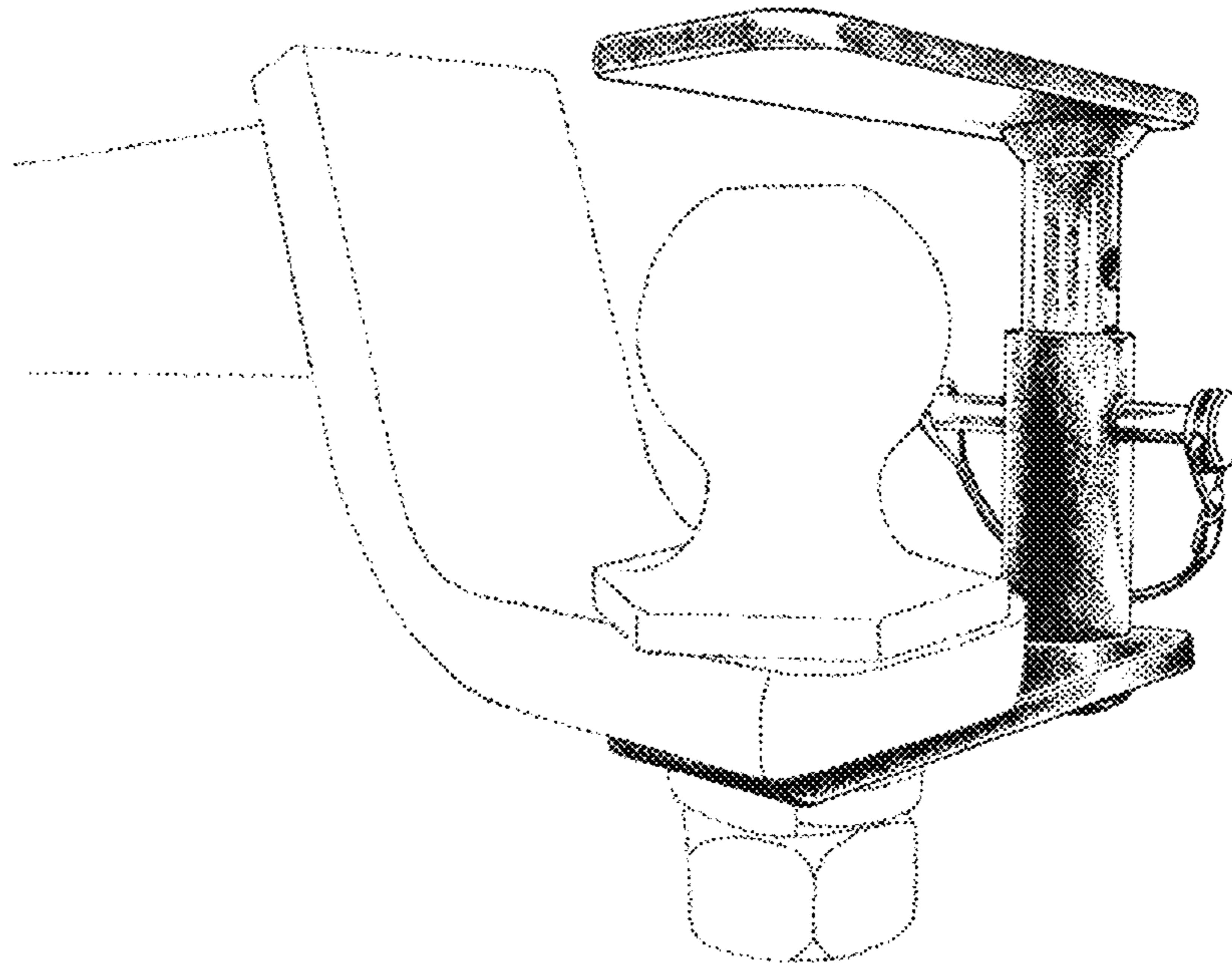


Fig. 1

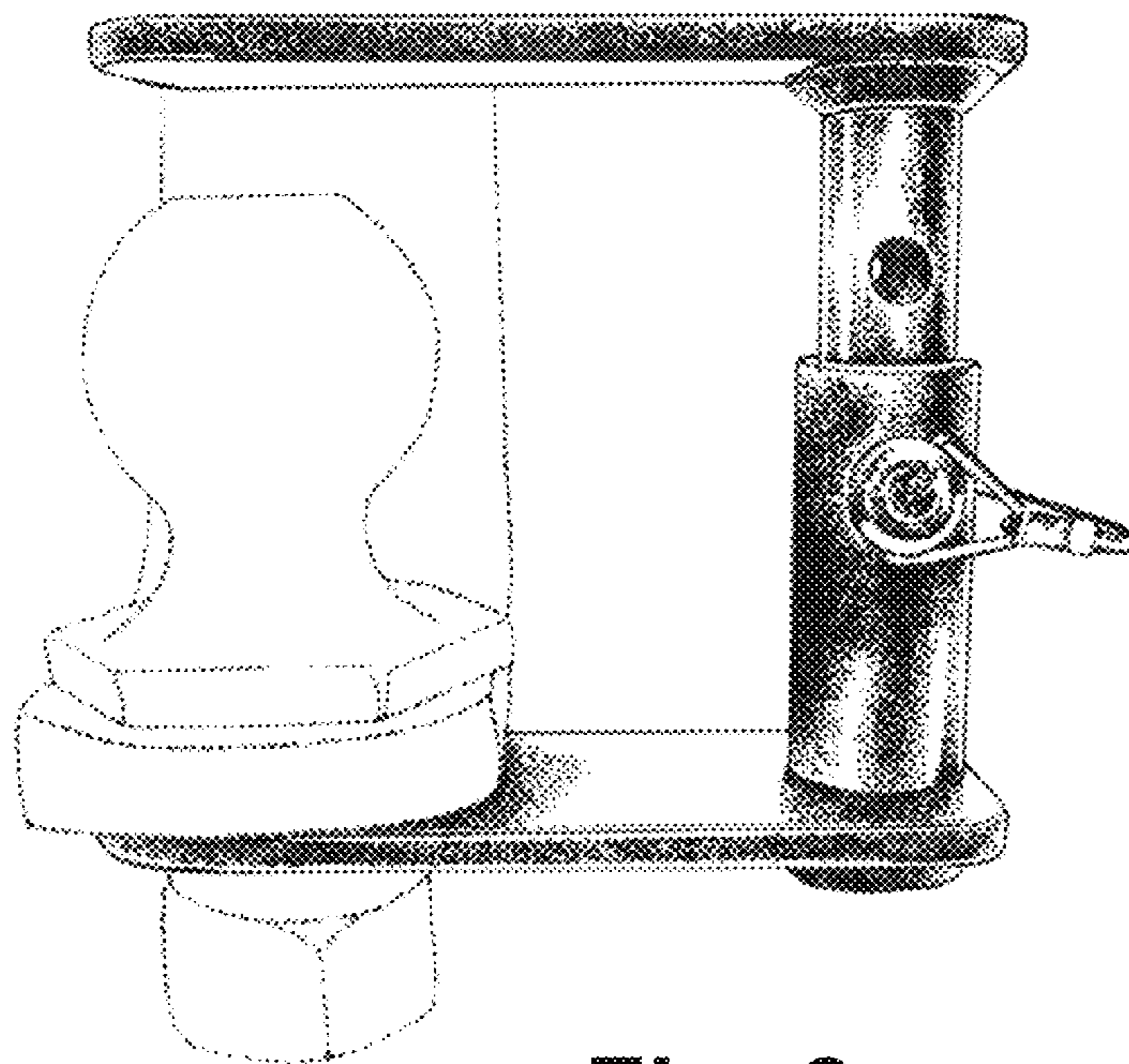


Fig. 2

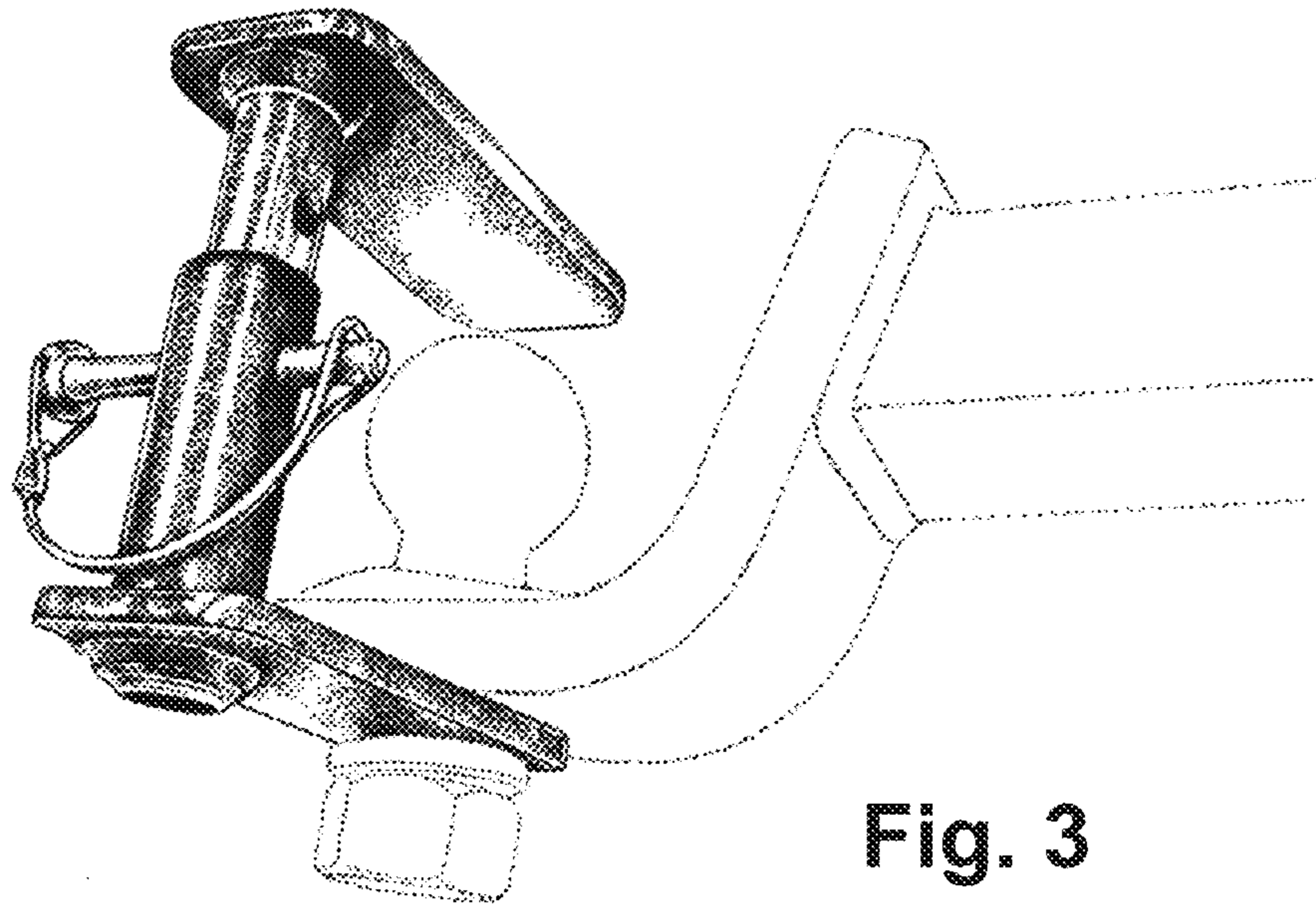


Fig. 3

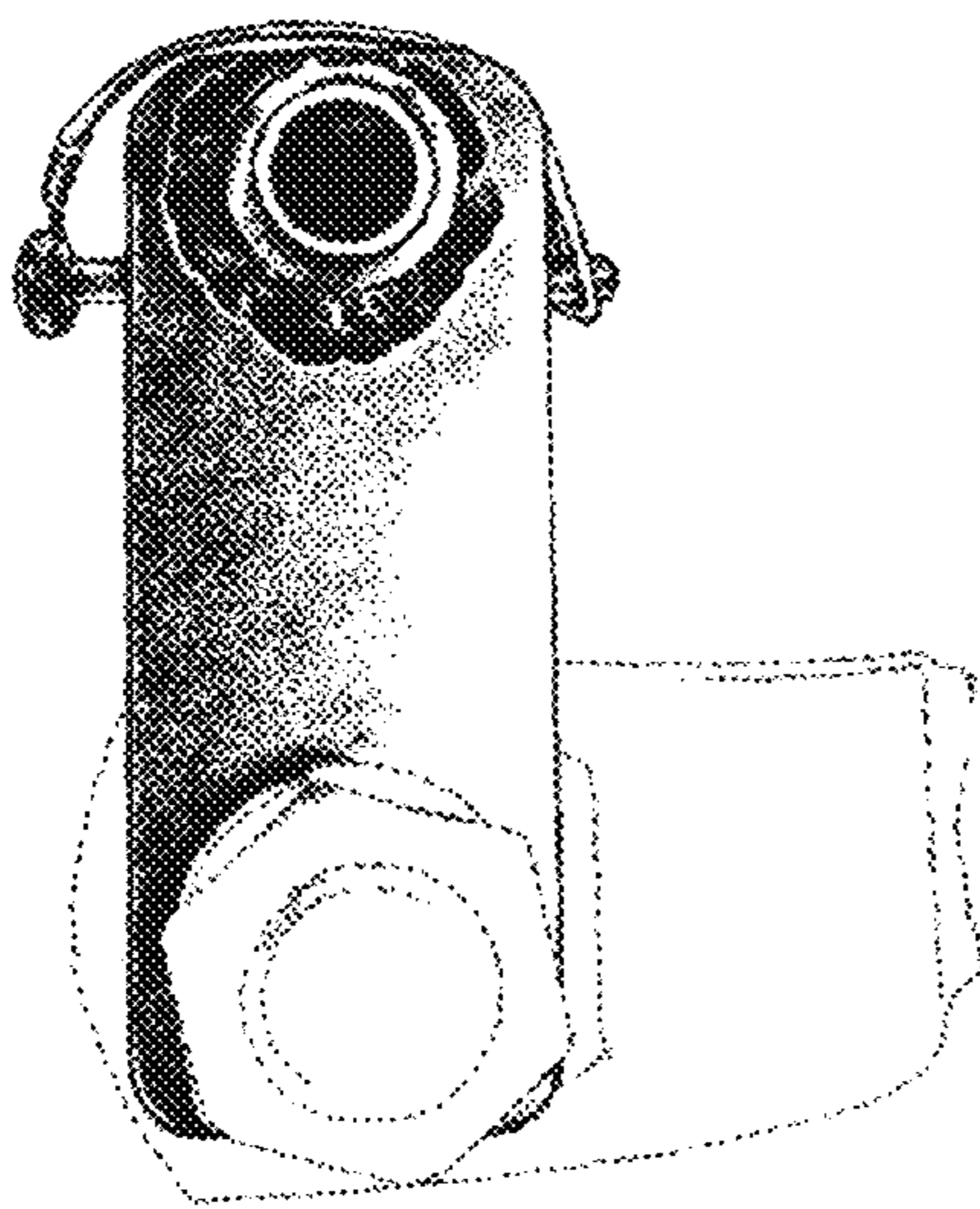


Fig. 4

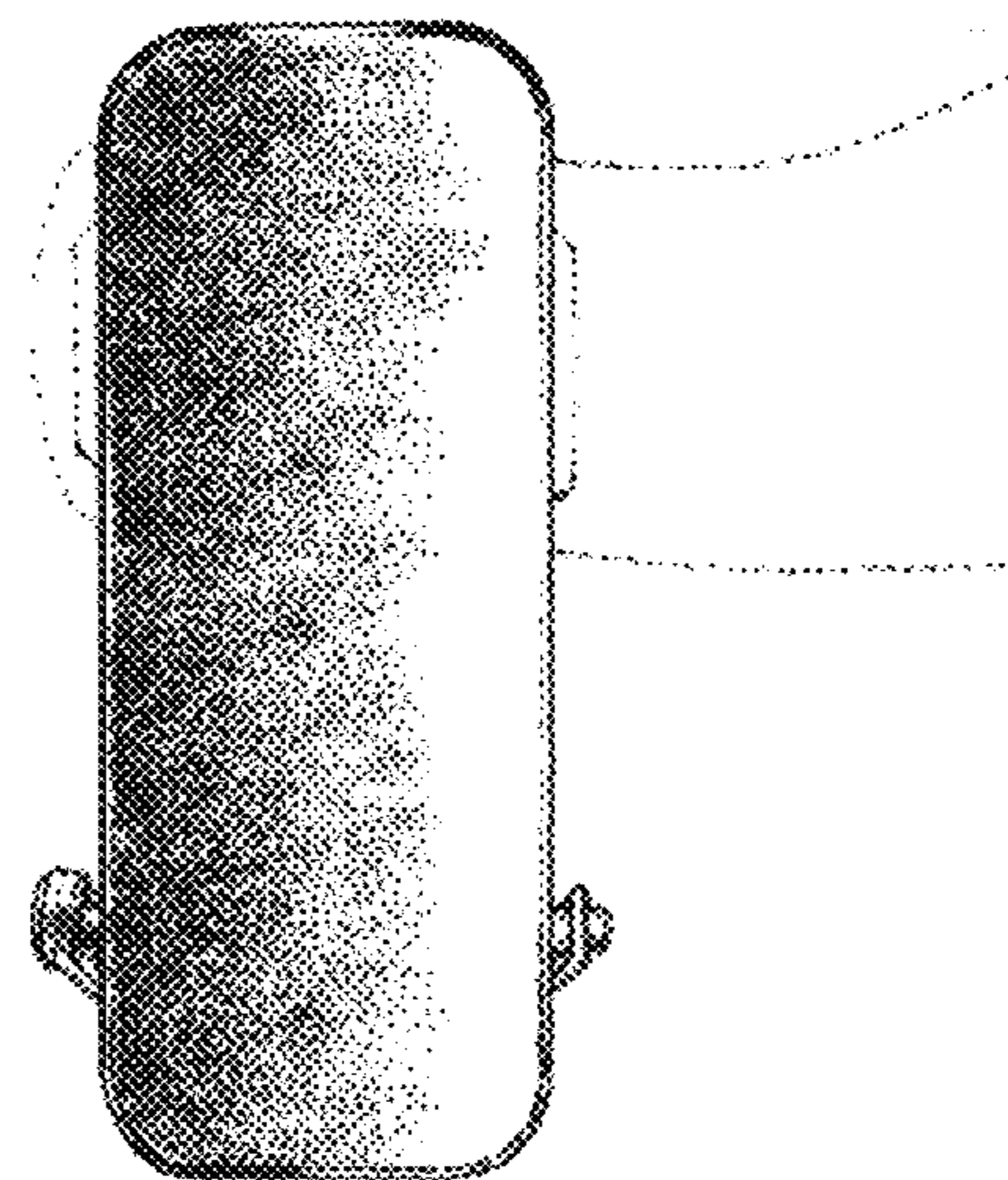


Fig. 5