



US00D740181S

(12) **United States Design Patent**
Agnew et al.

(10) **Patent No.:** **US D740,181 S**

(45) **Date of Patent:** **** Oct. 6, 2015**

(54) **LIGHT TRUCK BODY**

(71) Applicant: **Squaw-Fleet, LLC**, Salt Lake City, UT (US)

(72) Inventors: **Brooks Alexander Agnew**, Concord, NC (US); **Antonio Carvajal**, Gualala, CA (US)

(73) Assignee: **Squaw-Fleet, LLC**, Salt Lake City, UT (US)

(**) Term: **14 Years**

(21) Appl. No.: **29/487,273**

(22) Filed: **Apr. 7, 2014**

(51) **LOC (10) Cl.** **12-08**

(52) **U.S. Cl.**
USPC **D12/98**

(58) **Field of Classification Search**
USPC D12/86, 90-92, 88, 98; D21/424, 433, D21/434; 296/181.1, 181.5, 181.3, 183.1
CPC B60R 9/06; B62D 35/00
See application file for complete search history.

(56) **References Cited**

U.S. PATENT DOCUMENTS

D553,053	S	*	10/2007	McChesney et al.	D12/98
D570,253	S	*	6/2008	Cunagin et al.	D12/96
D596,532	S	*	7/2009	Opfer et al.	D12/98
D659,052	S	*	5/2012	Ware et al.	D12/98
D659,053	S	*	5/2012	Ware et al.	D12/98
D712,787	S	*	9/2014	Mogami et al.	D12/98

* cited by examiner

Primary Examiner — Melody Brown

(74) *Attorney, Agent, or Firm* — Austin Rapp & Hardman

(57) **CLAIM**

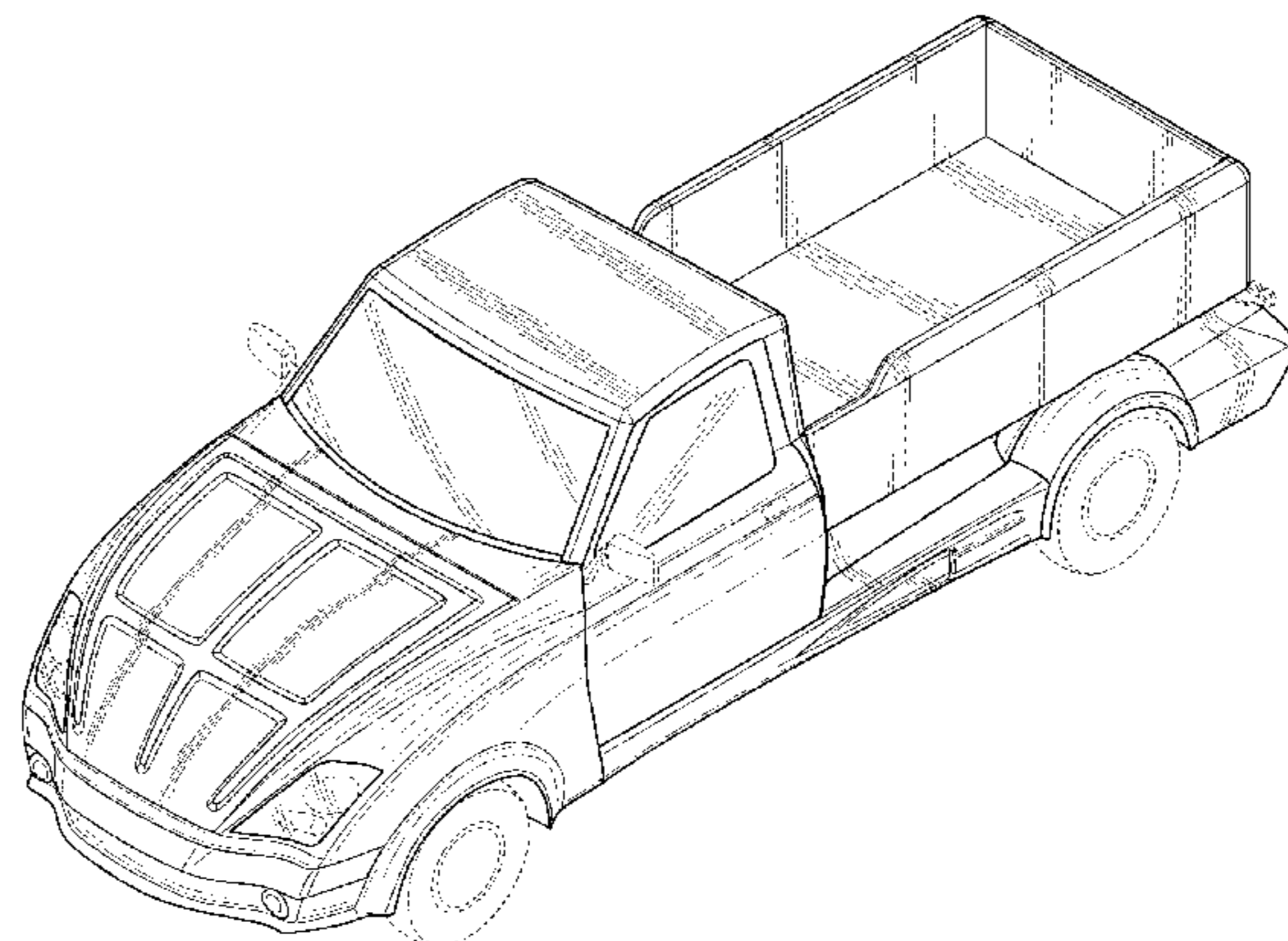
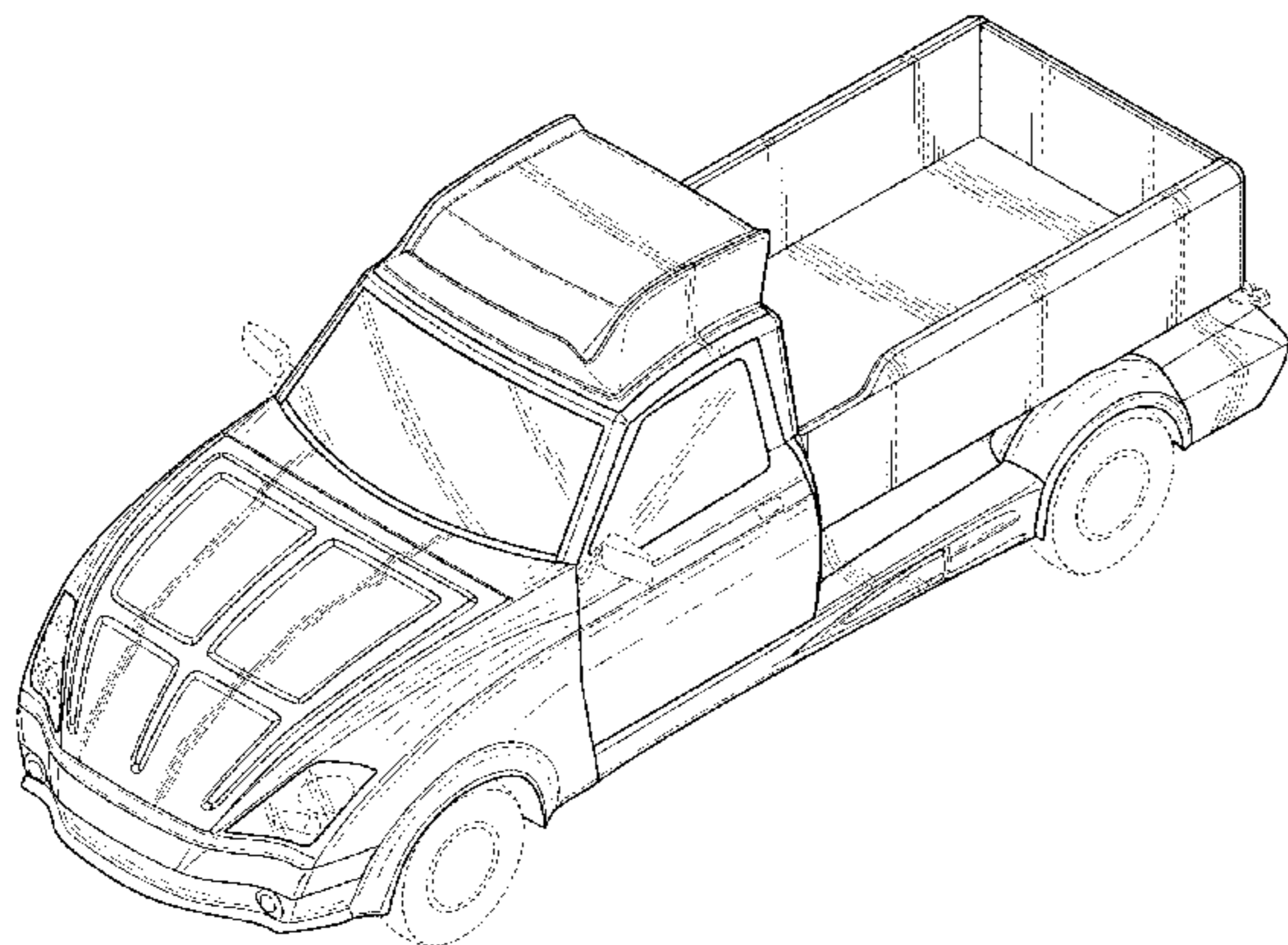
The ornamental design for a light truck body, as shown and described.

DESCRIPTION

FIG. 1 is a front perspective view of a light truck body showing our new design;
 FIG. 2 is a rear perspective view thereof;
 FIG. 3 is a left side view thereof, which is a mirror image of the right side view;
 FIG. 4 is a top view thereof;
 FIG. 5 is a bottom view thereof;
 FIG. 6 is a front view thereof;
 FIG. 7 is a rear view thereof;
 FIG. 8 is a front perspective view of a second embodiment of a light truck body showing our new design;
 FIG. 9 is a rear perspective view thereof;
 FIG. 10 is a left side view thereof, which is a mirror image of the right side view;
 FIG. 11 is a top view thereof;
 FIG. 12 is a bottom view thereof;
 FIG. 13 is a front view thereof; and,
 FIG. 14 is a rear view thereof.

The portions of the drawings appearing in broken lines are for environment only and do not form a part of the claimed design.

1 Claim, 12 Drawing Sheets



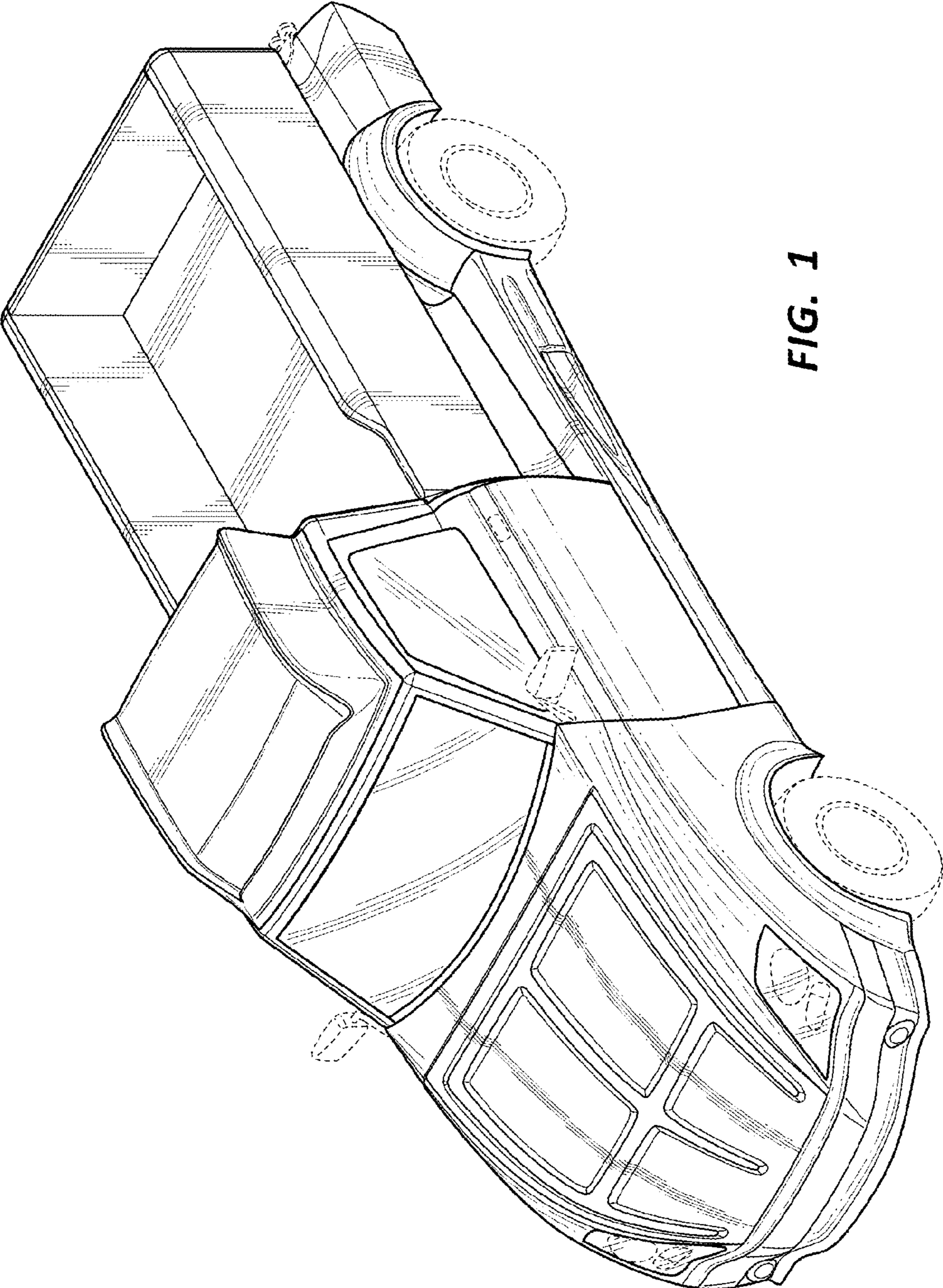


FIG. 1

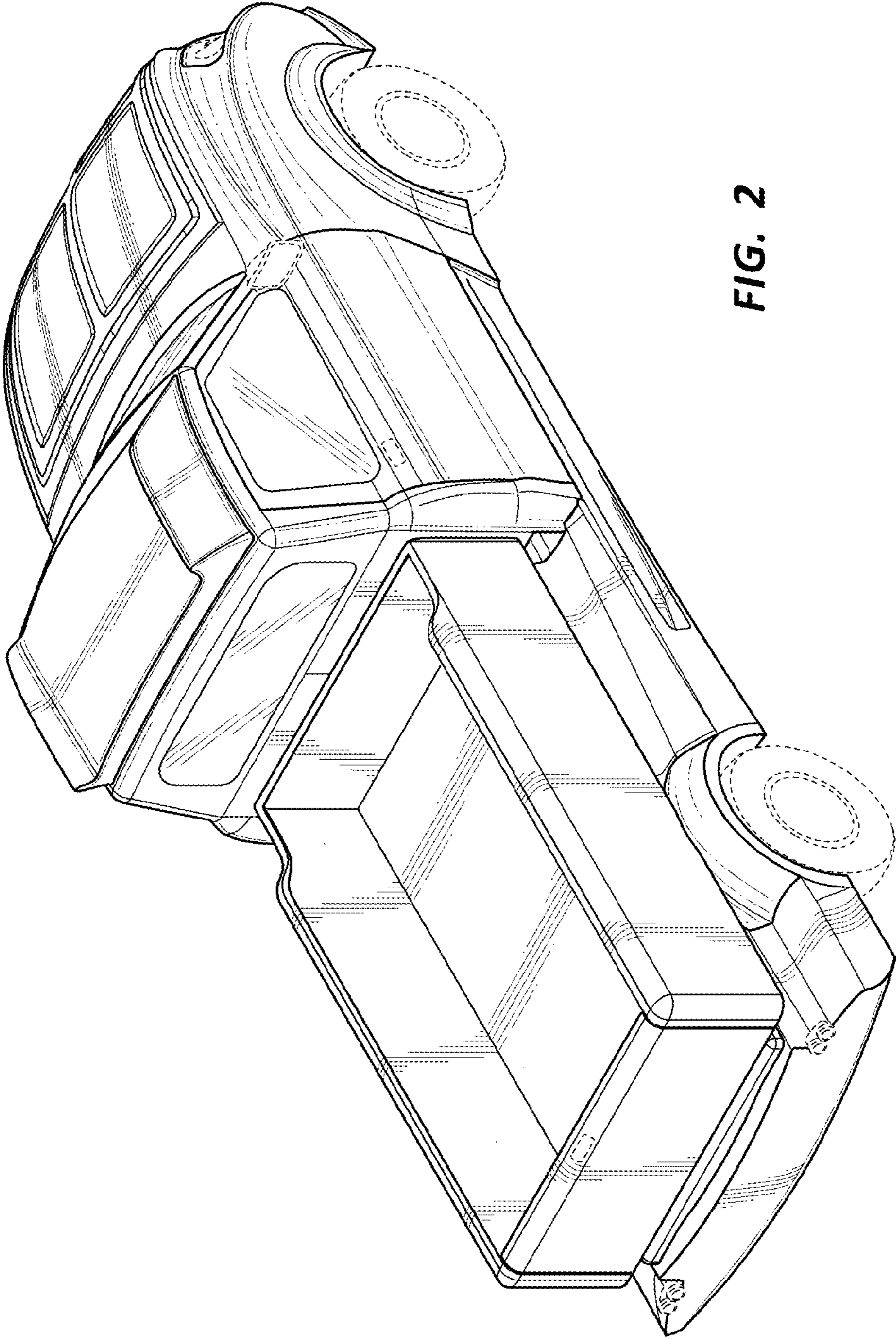


FIG. 2

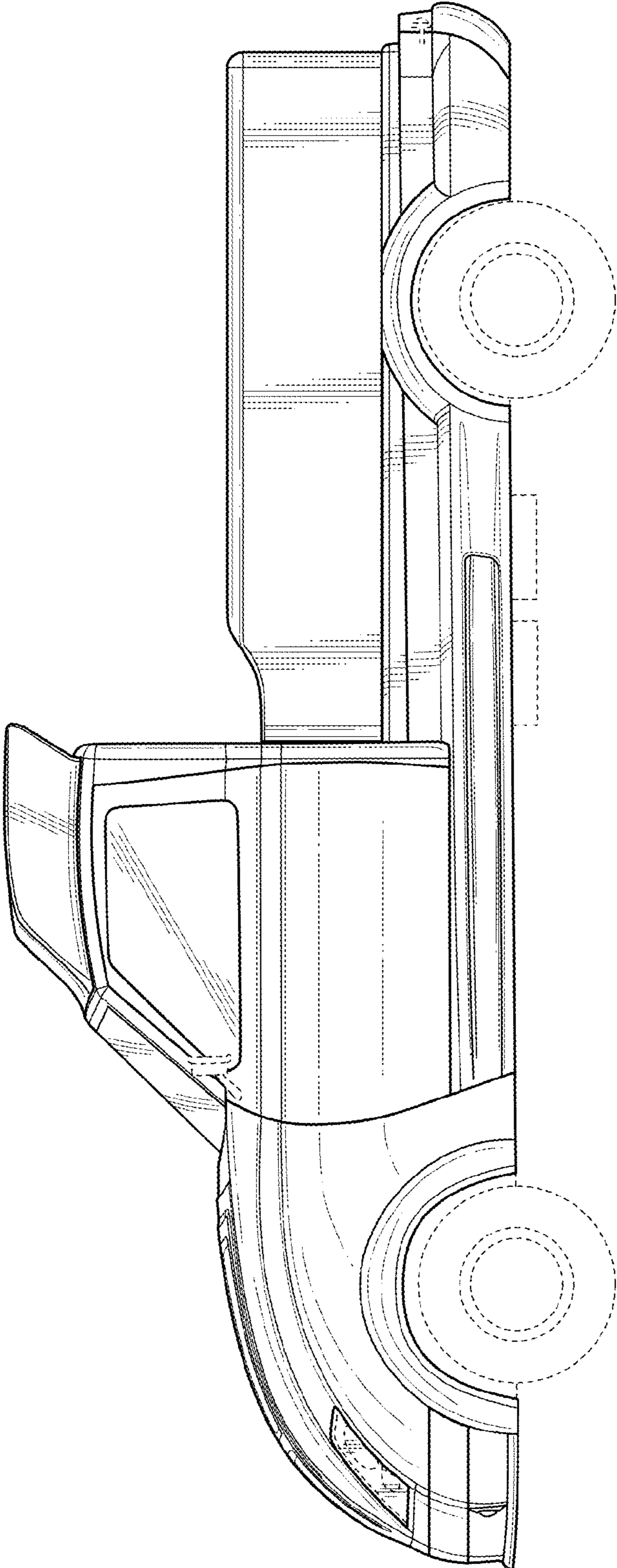


FIG. 3

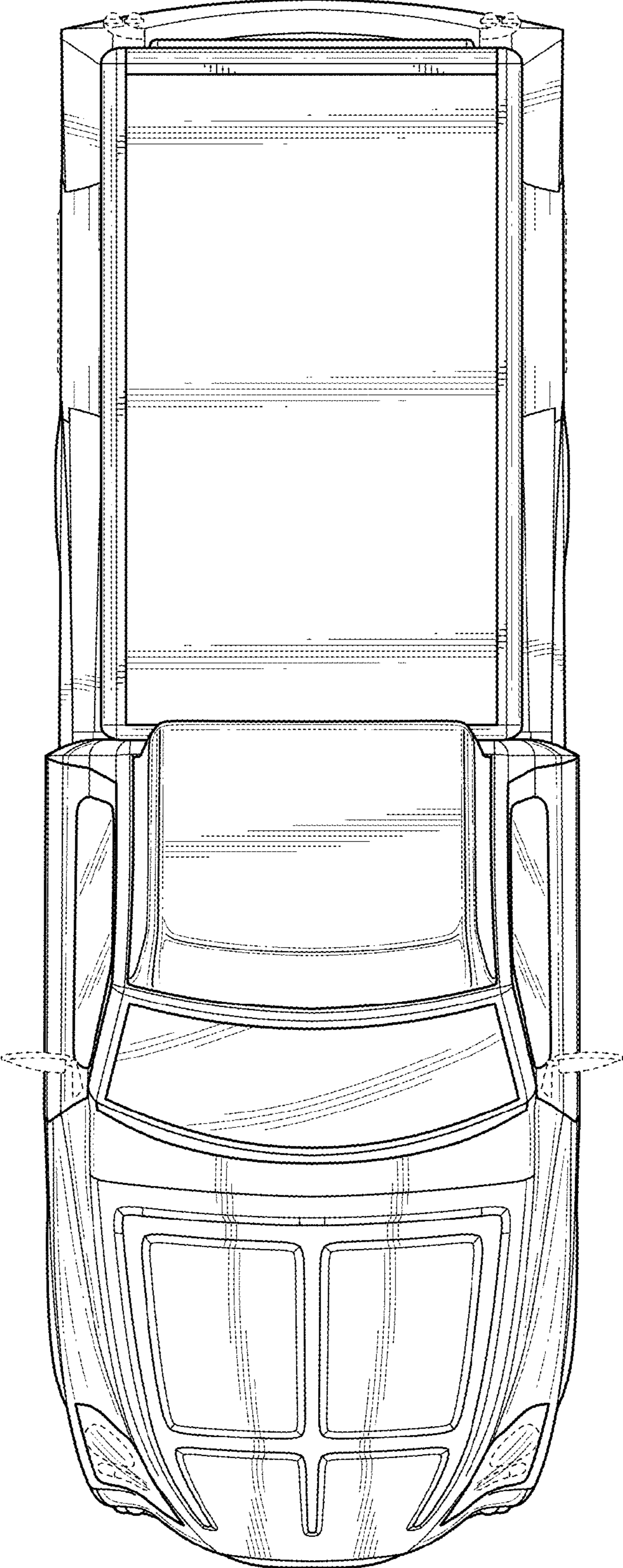


FIG. 4

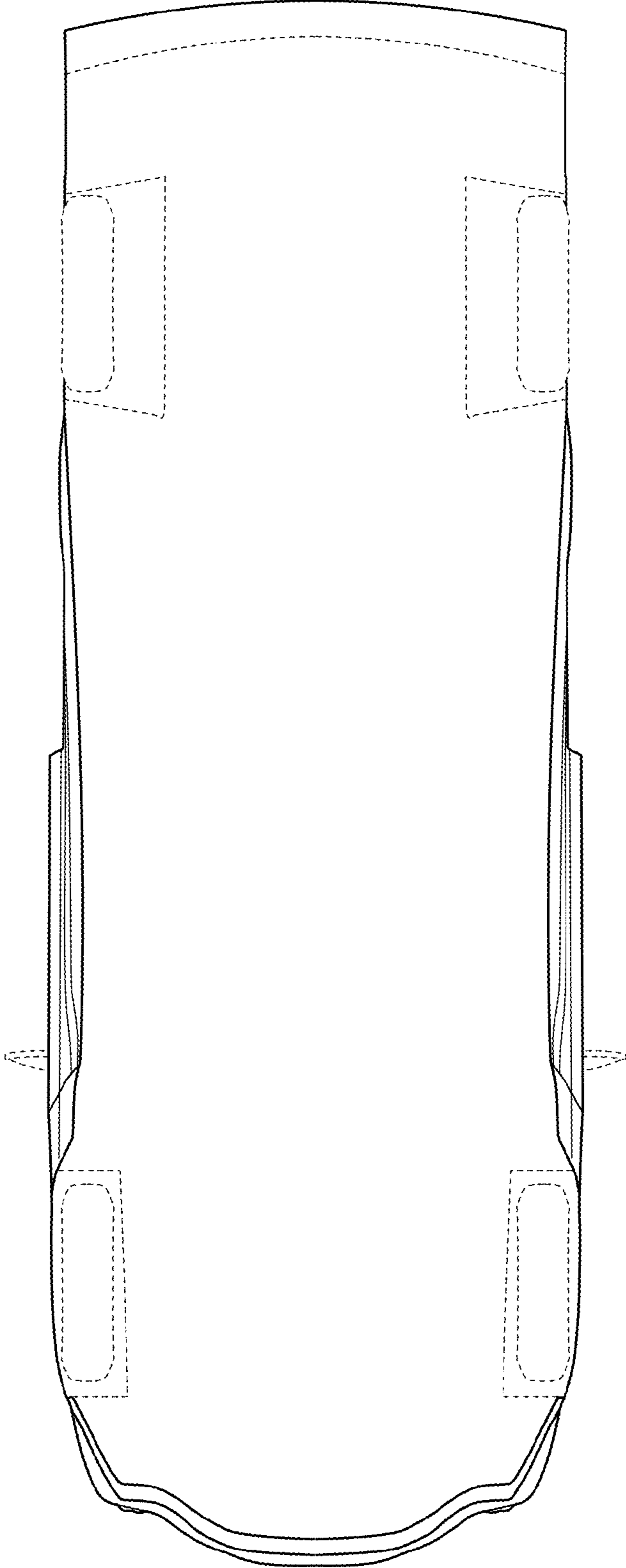


FIG. 5

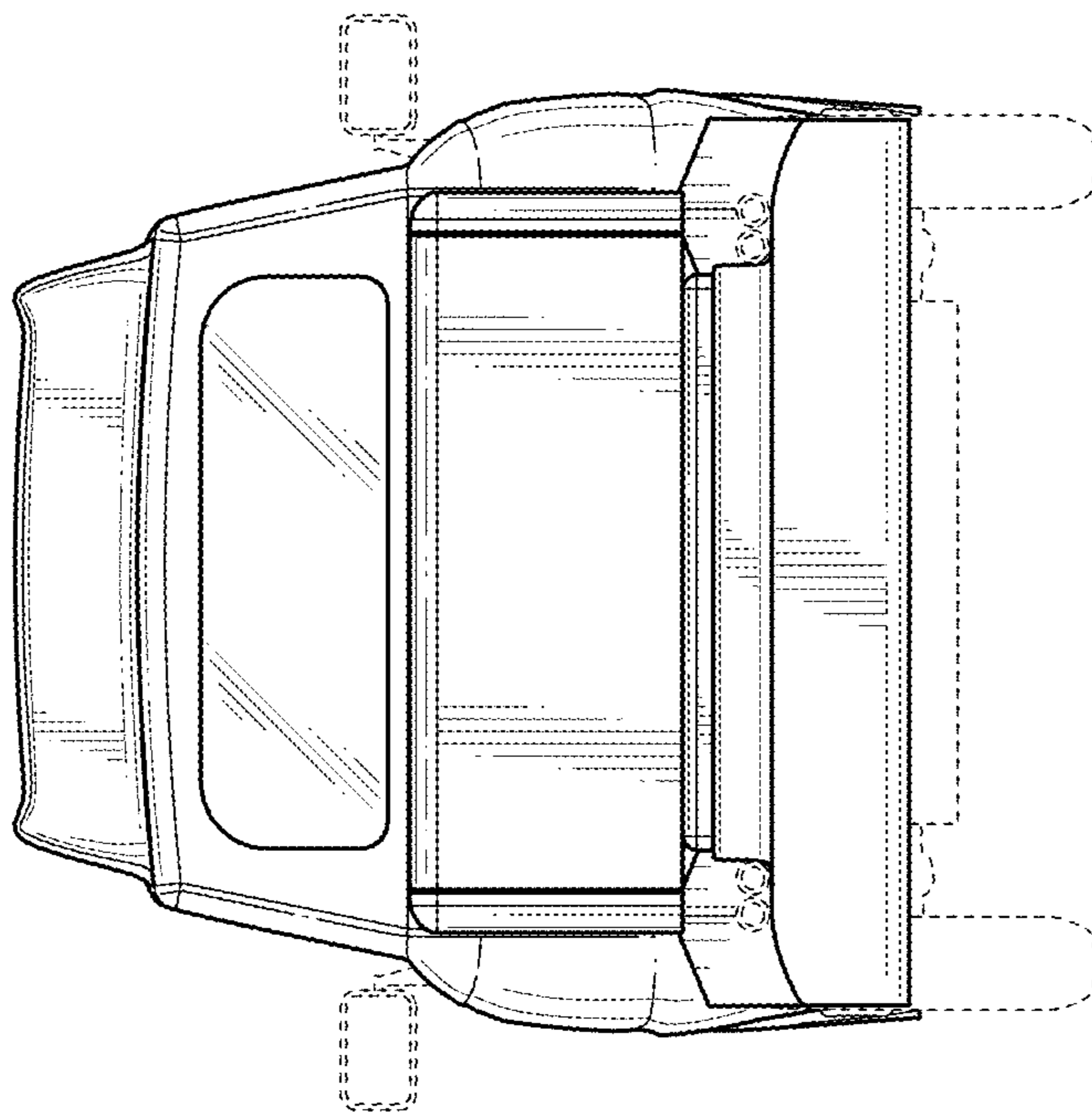


FIG. 7

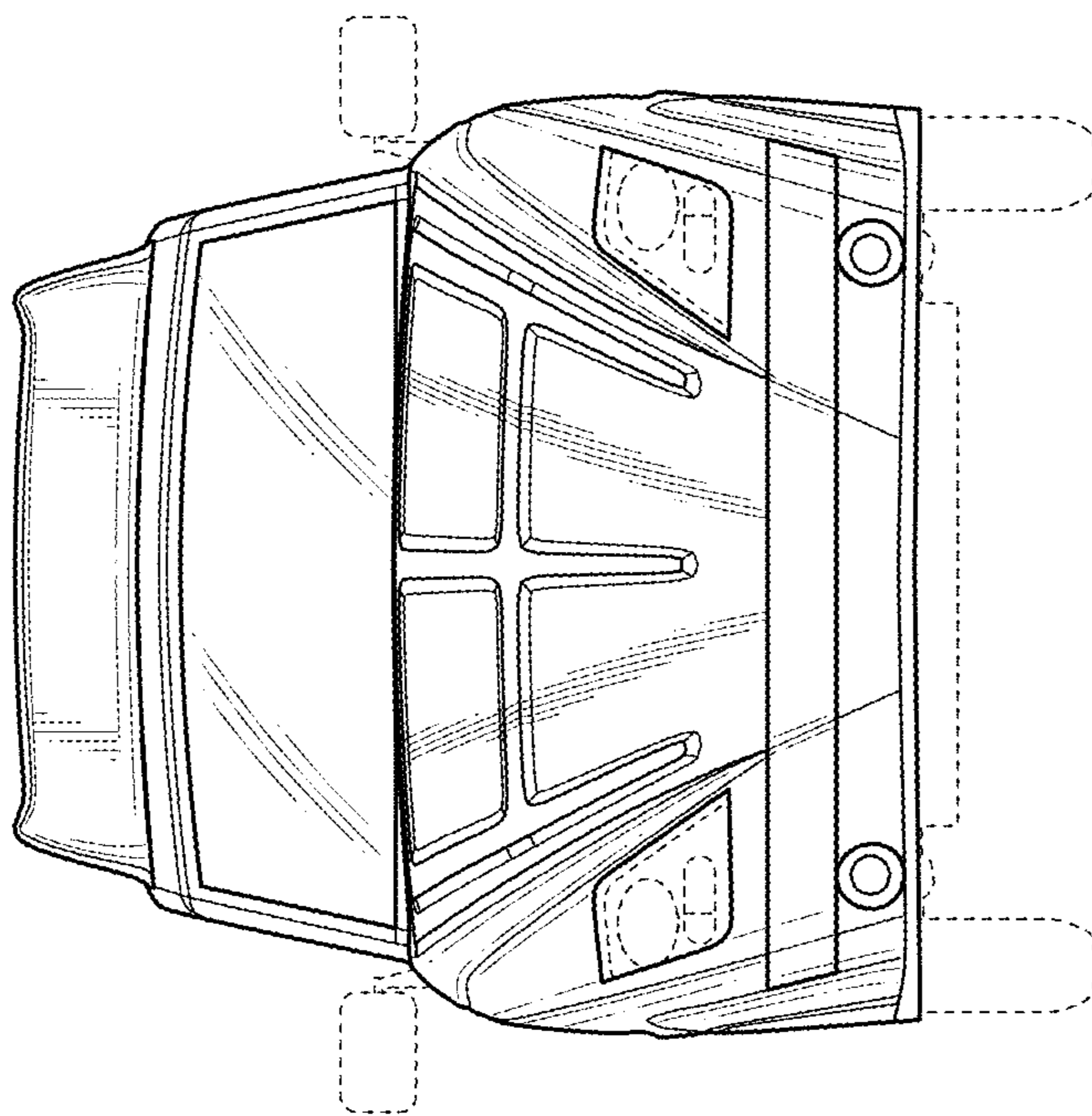


FIG. 6

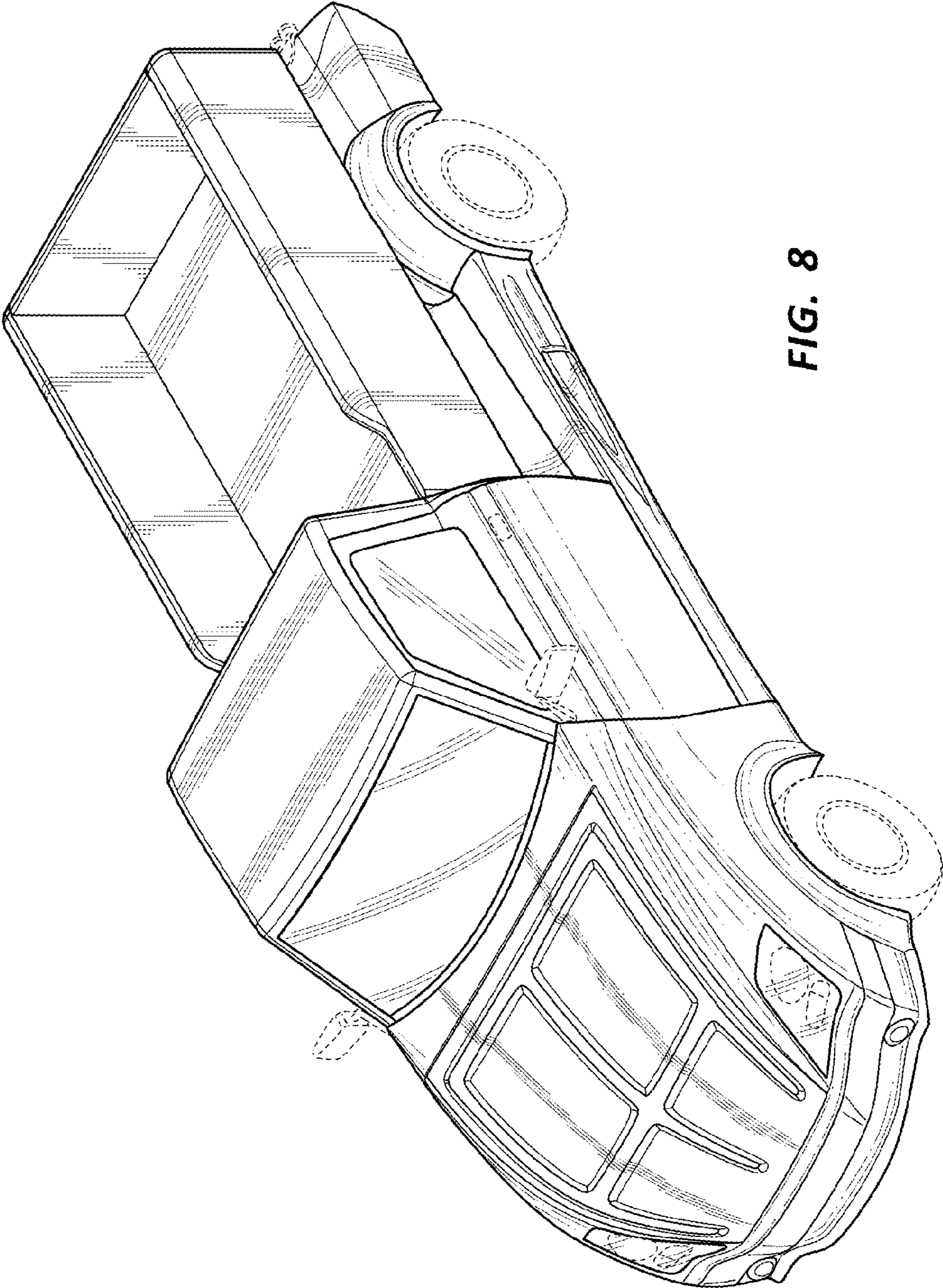


FIG. 8

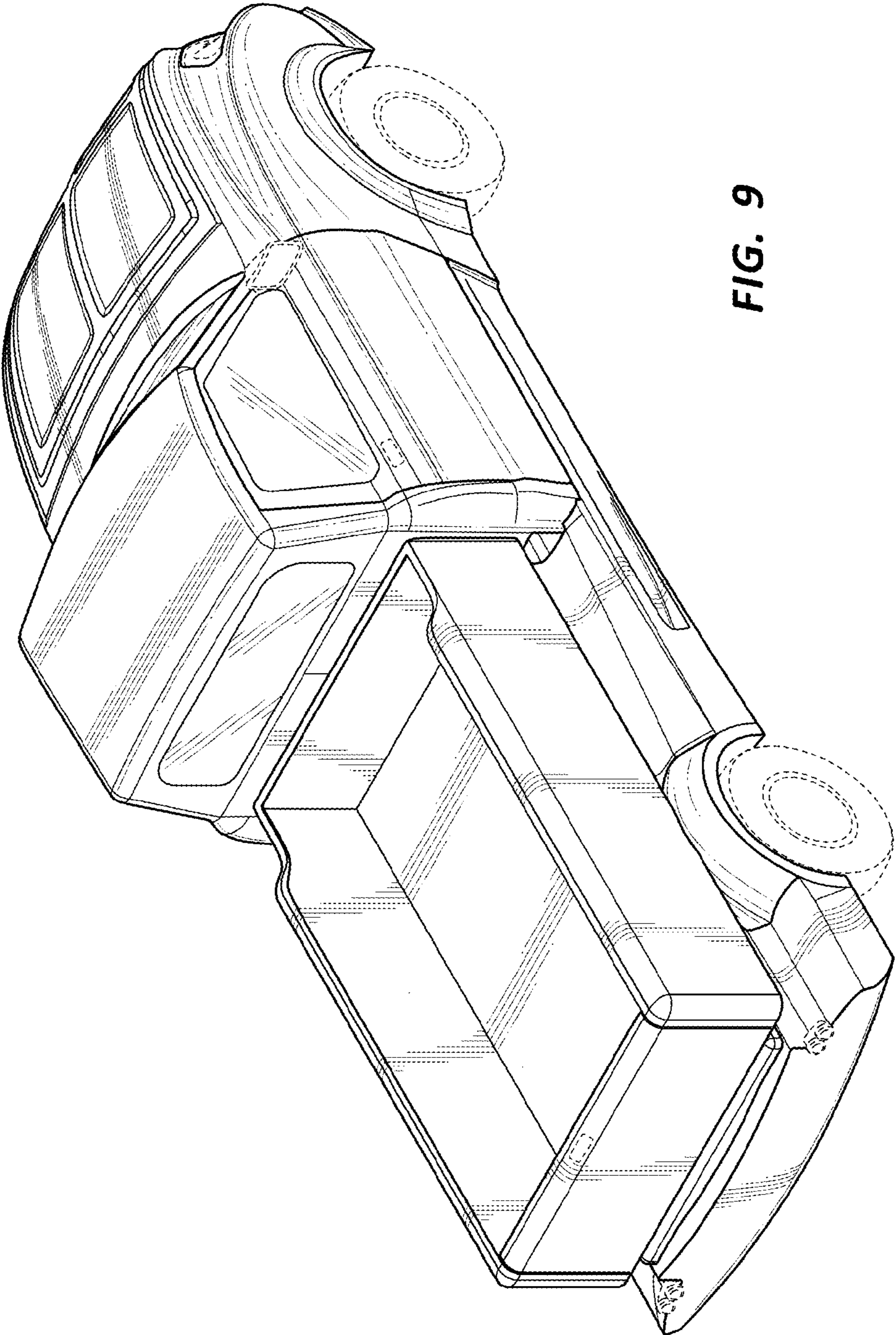


FIG. 9

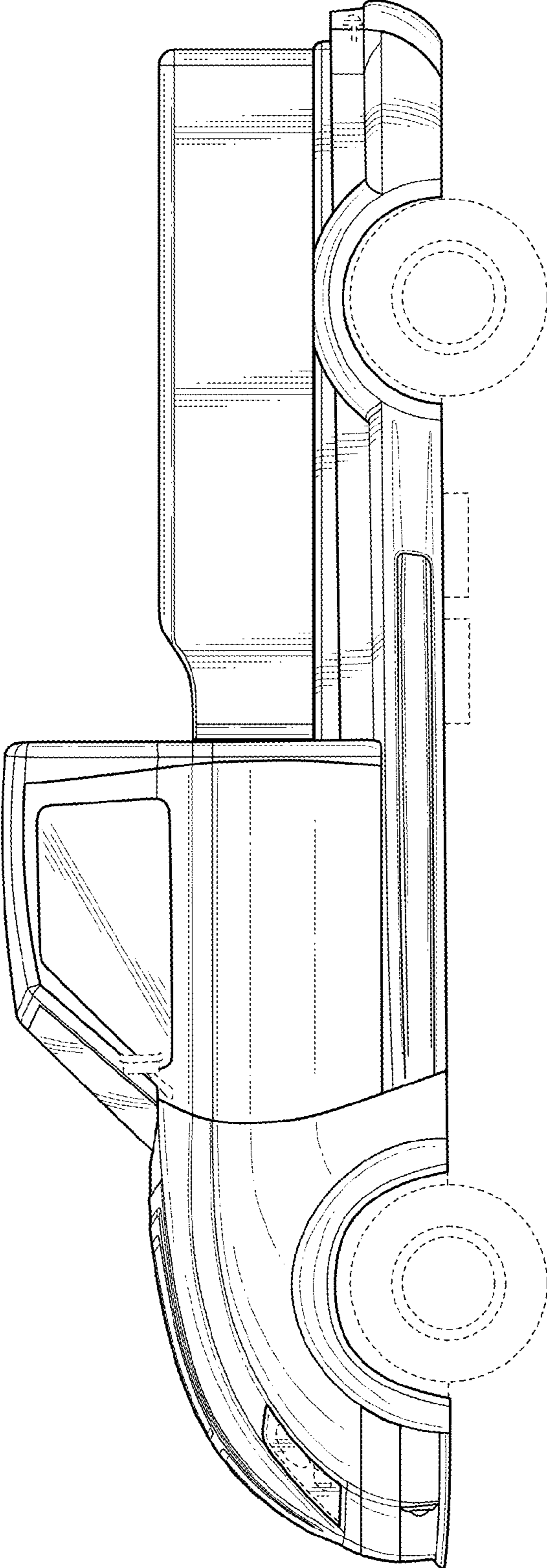


FIG. 10

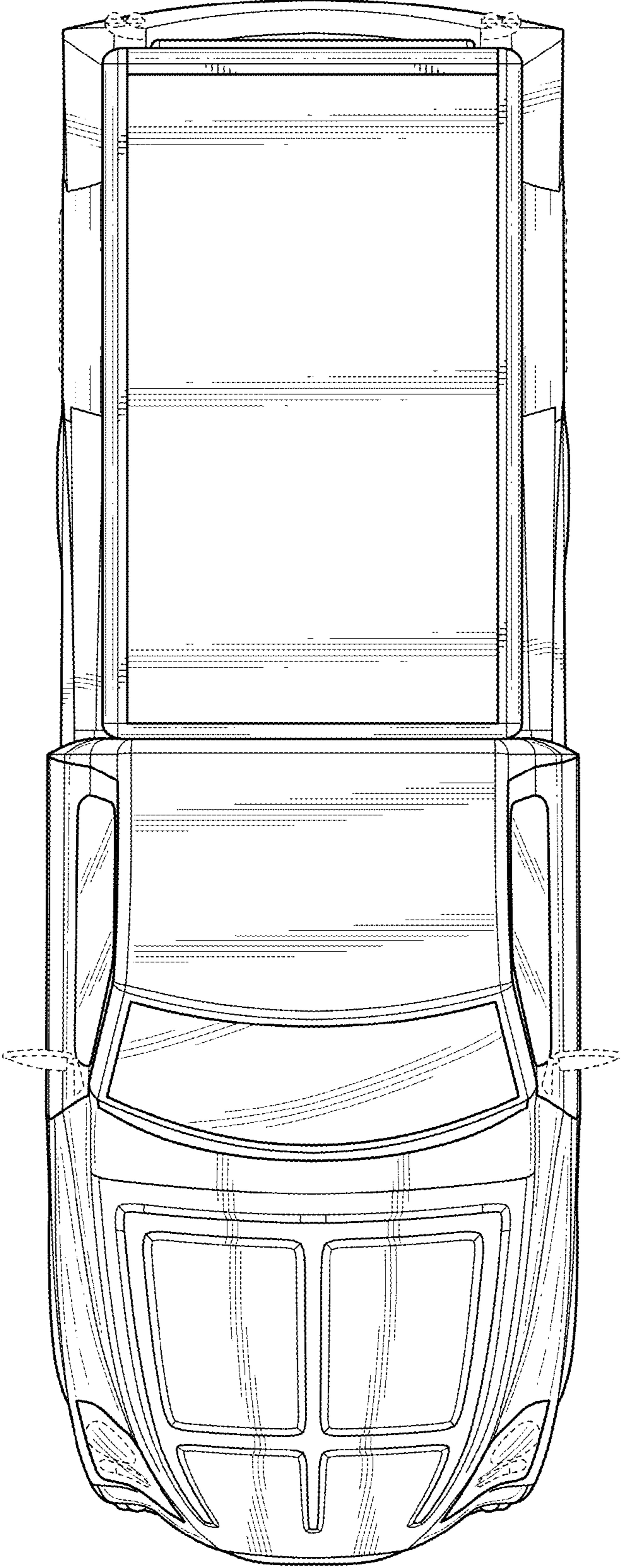


FIG. 11

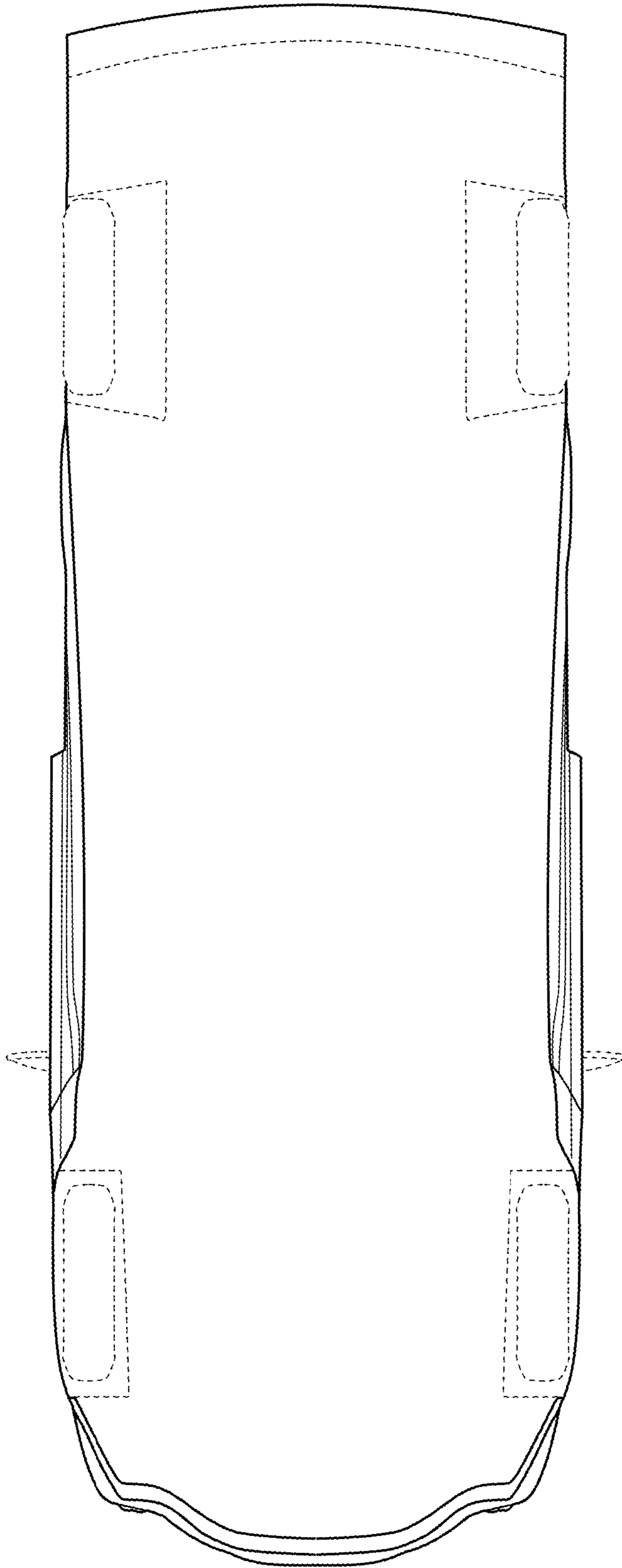


FIG. 12

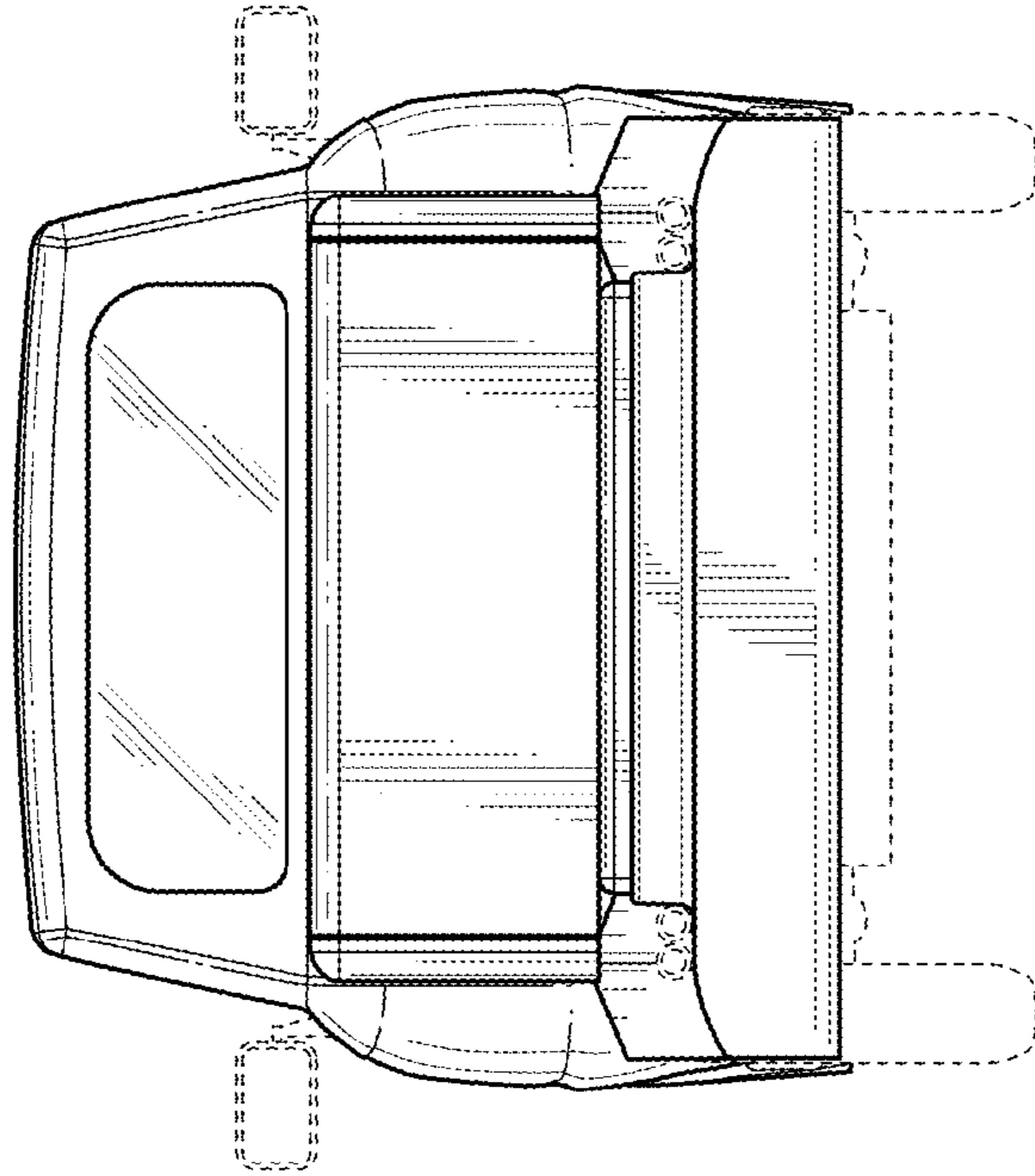


FIG. 14

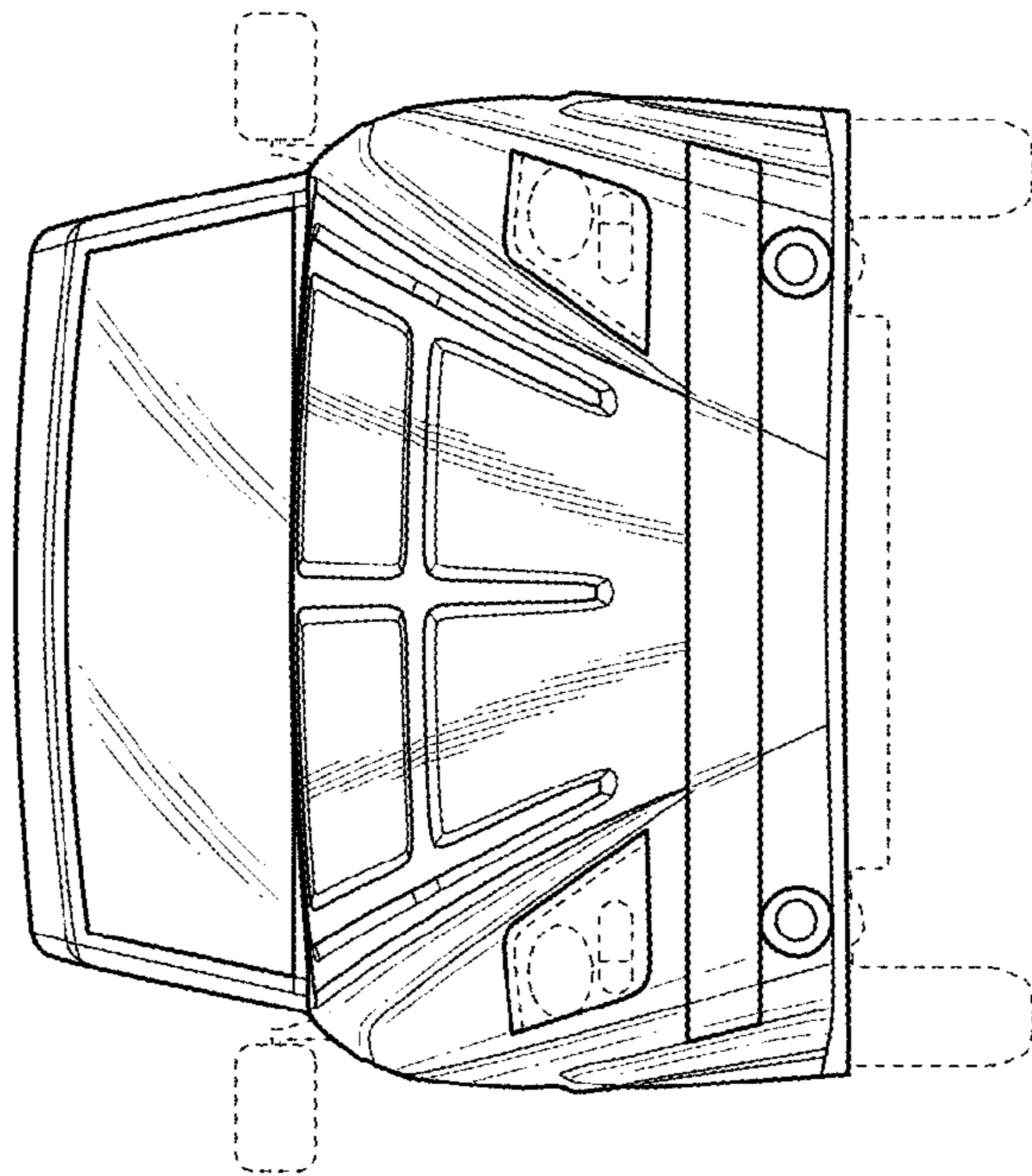


FIG. 13