



US00D740178S

(12) **United States Design Patent**
Bischoff et al.

(10) **Patent No.:** **US D740,178 S**
(45) **Date of Patent:** **** Oct. 6, 2015**

(54) **MOTOR VEHICLE**

(56) **References Cited**

(71) Applicant: **VOLKSWAGEN**
AKTIENGESELLSCHAFT, Wolfsburg
(DE)

(72) Inventors: **Klaus Bischoff**, Wolfsburg (DE); **Oliver Stefani**, Wolfsburg (DE); **Marco Antonio Pavone**, Wolfsburg (DE)

(73) Assignee: **VOLKSWAGEN**
AKTIENGESELLSCHAFT, Wolfsburg
(DE)

(**) Term: **14 Years**

(21) Appl. No.: **29/491,603**

(22) Filed: **May 22, 2014**

(30) **Foreign Application Priority Data**

Dec. 4, 2013 (EM) 001 391 858

(51) **LOC (10) Cl.** **12-08**

(52) **U.S. Cl.**
USPC **D12/92**

(58) **Field of Classification Search**
USPC D12/86, 90-92; D21/421, 433, 434;
296/181.1, 181.5

CPC B62D 35/00; B62D 25/00; B62D 25/06;
B62D 25/08; B62D 33/00

See application file for complete search history.

U.S. PATENT DOCUMENTS

D620,840 S *	8/2010	Bischoff et al.	D12/91
D626,885 S *	11/2010	Bischoff et al.	D12/91
D637,943 S *	5/2011	Bischoff et al.	D12/92
D671,034 S *	11/2012	Bischoff et al.	D12/91
D671,035 S *	11/2012	Bischoff et al.	D12/91
D683,656 S *	6/2013	Bischoff et al.	D12/91
D690,231 S *	9/2013	Bischoff et al.	D12/91
D691,067 S *	10/2013	Bischoff et al.	D12/91
D691,068 S *	10/2013	Bischoff et al.	D12/92
D699,157 S *	2/2014	Bischoff et al.	D12/92
D701,145 S *	3/2014	Bischoff et al.	D12/91
D712,788 S *	9/2014	Bischoff et al.	D12/91
D714,689 S *	10/2014	Bischoff et al.	D12/92

* cited by examiner

Primary Examiner — Melody N Brown

(74) *Attorney, Agent, or Firm* — Lucas & Mercanti, LLP;
Klaus P. Stoffel

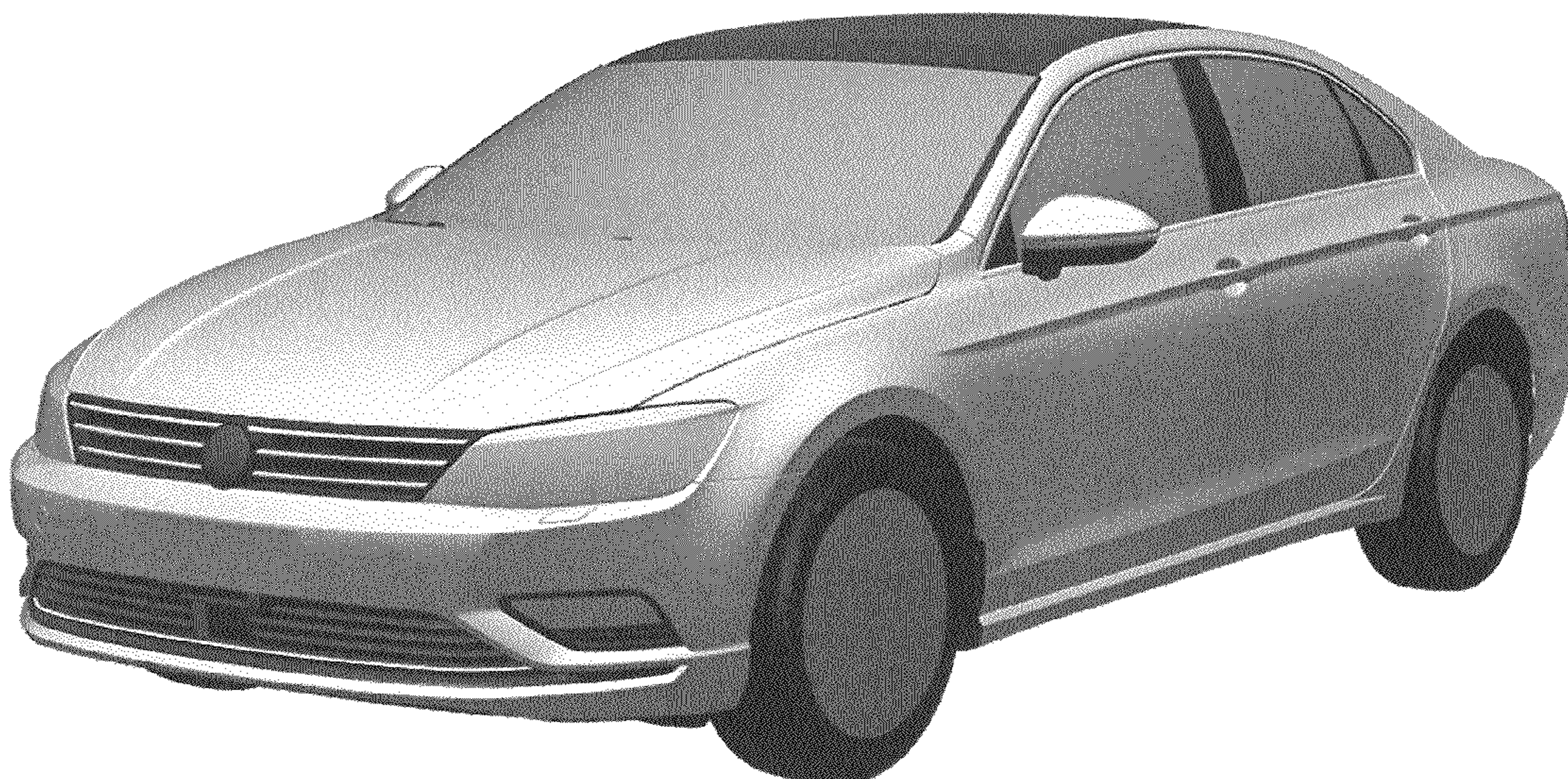
(57) **CLAIM**

The ornamental design for a motor vehicle, as shown and described.

DESCRIPTION

FIG. 1 is a front, right side perspective view of the motor vehicle of the present invention;
FIG. 2 is a rear, left side perspective view thereof;
FIG. 3 is a right side view thereof;
FIG. 4 is a left side view thereof;
FIG. 5 is a front view thereof;
FIG. 6 is a rear view thereof; and,
FIG. 7 is a top view thereof.

1 Claim, 4 Drawing Sheets



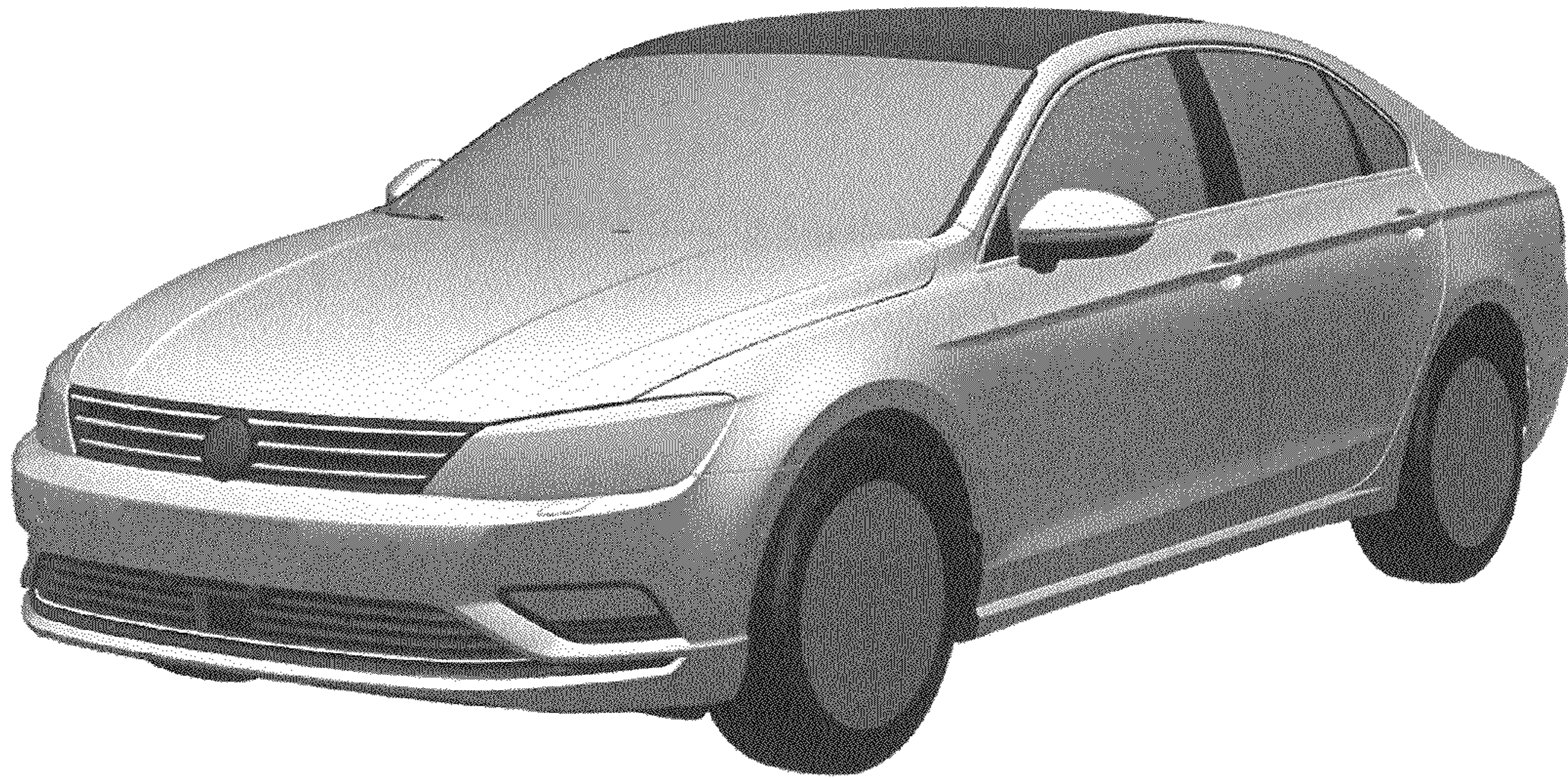


Fig. 1

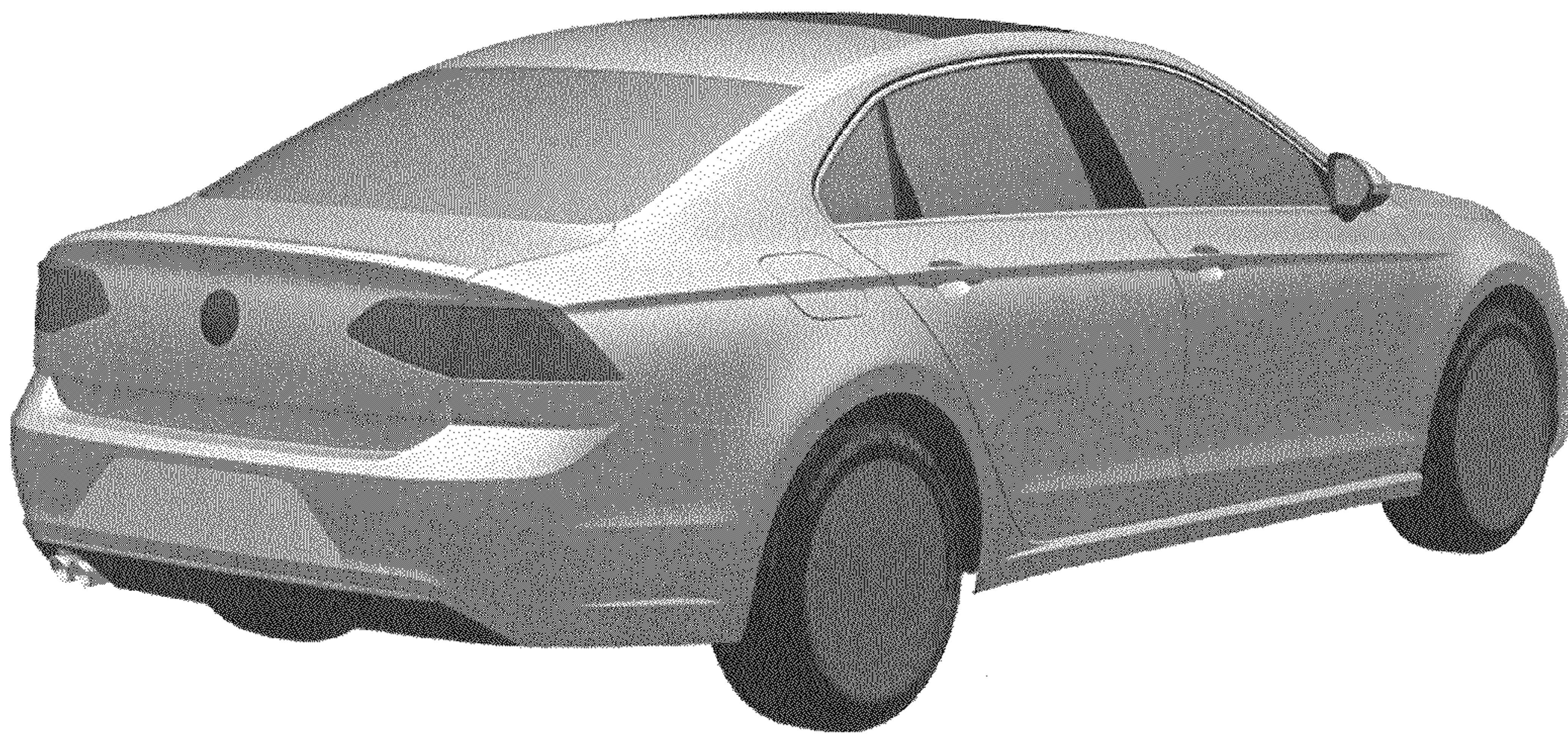


Fig. 2

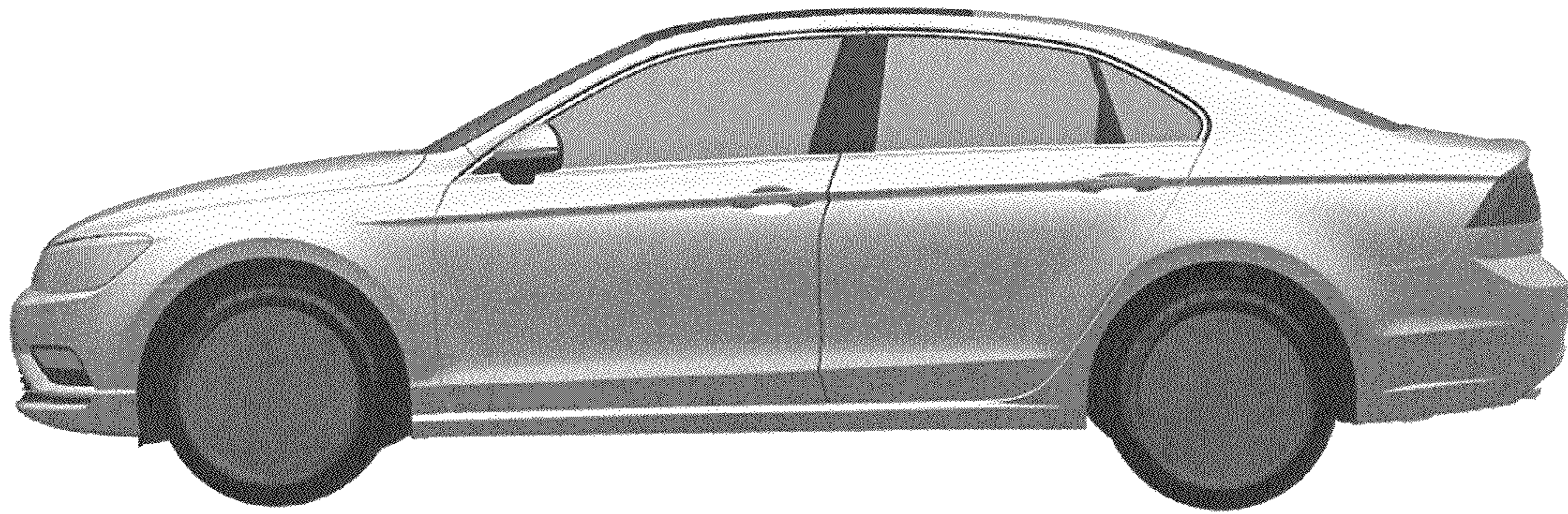


Fig. 3

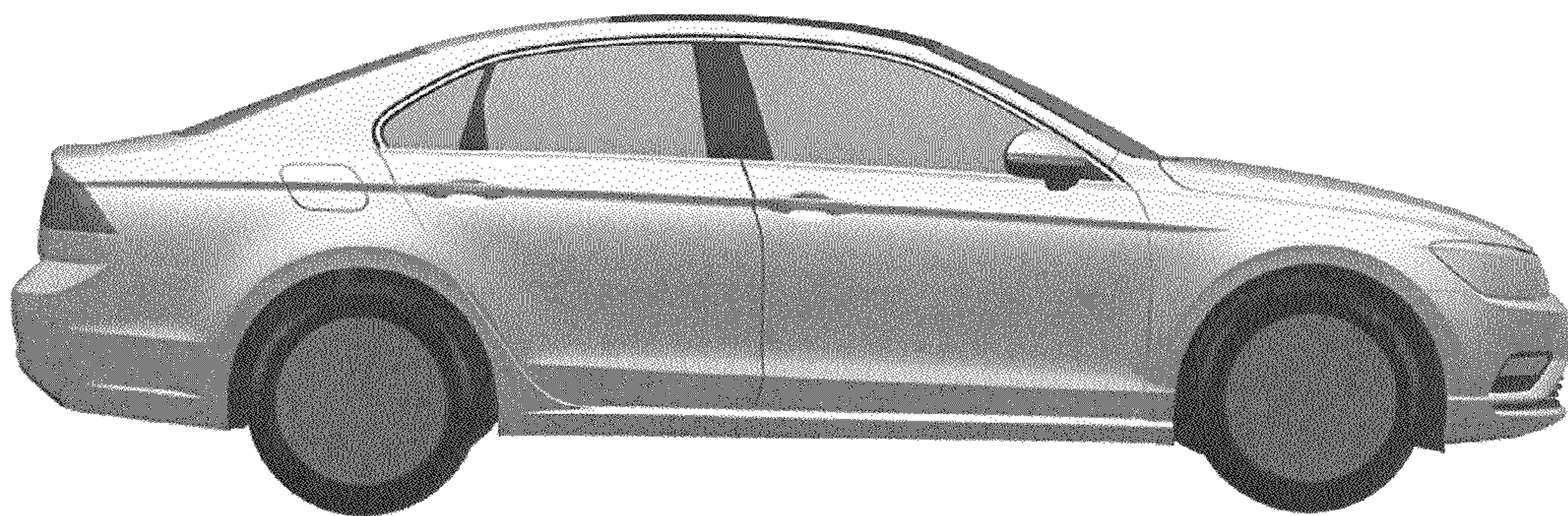


Fig. 4

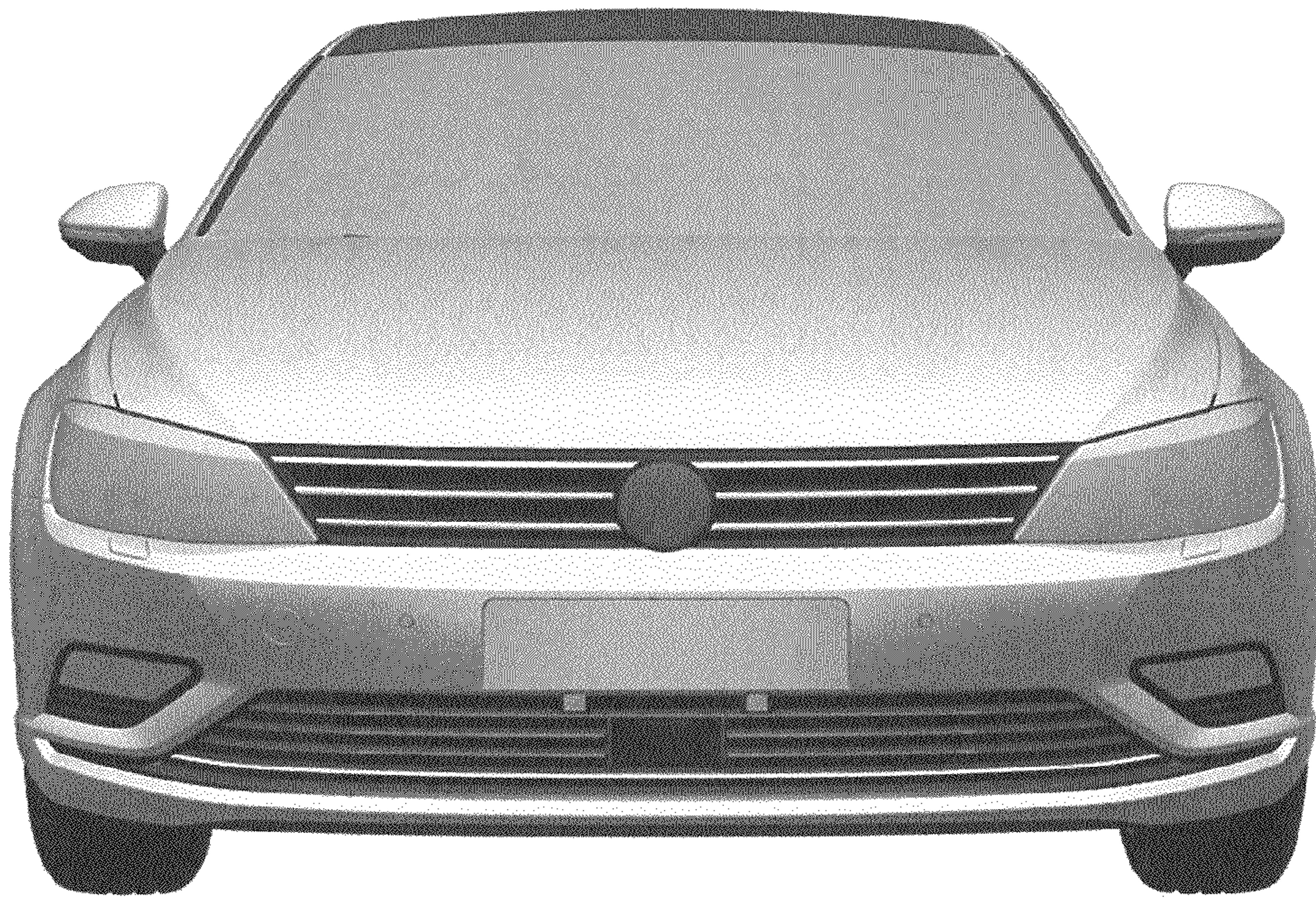


Fig. 5

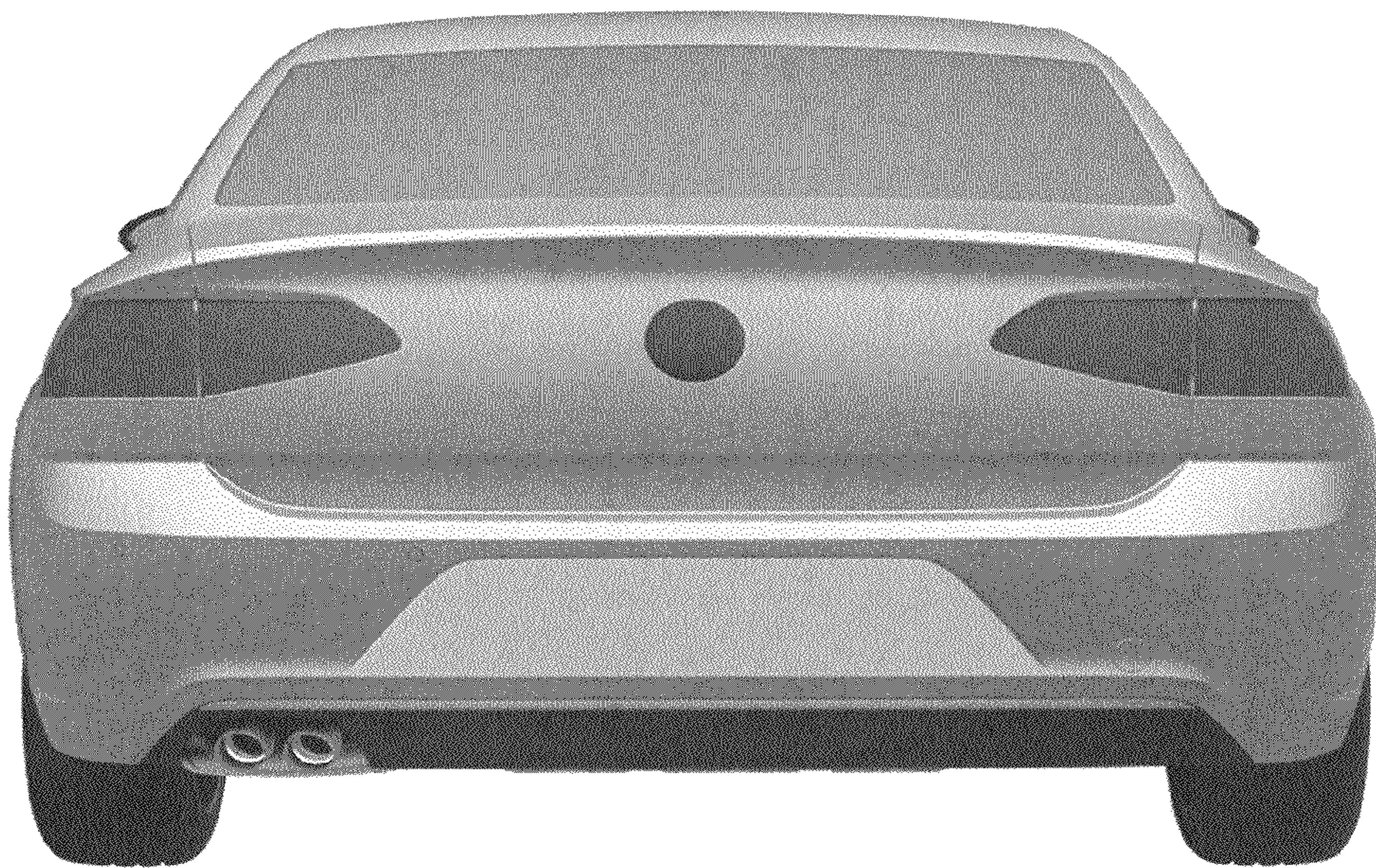


Fig. 6

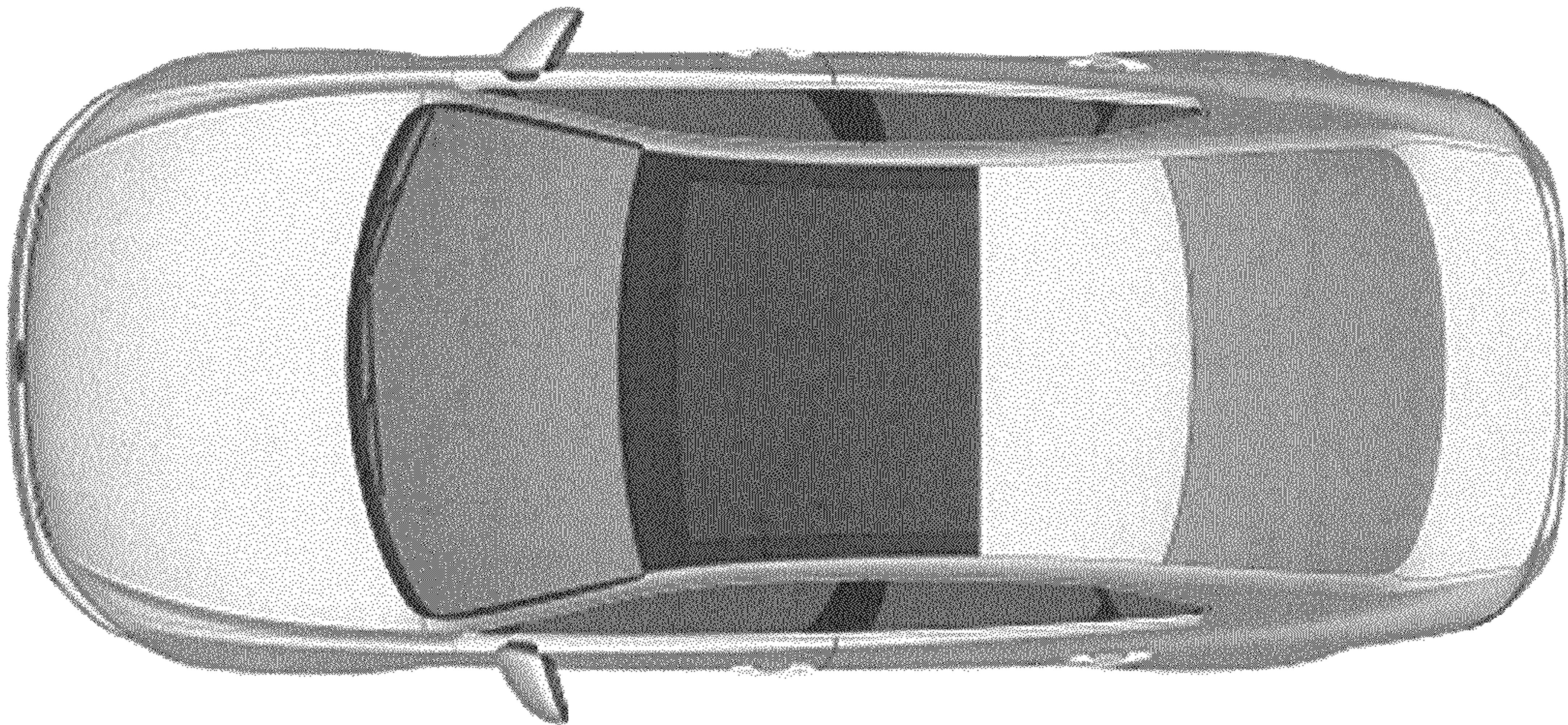


Fig. 7