



US00D740174S

(12) **United States Design Patent**
Brown, Jr.

(10) **Patent No.:** **US D740,174 S**
(45) **Date of Patent:** **** Oct. 6, 2015**

(54) **GOLF CART ENCLOSURE**

(71) Applicant: **Arlen F. Brown, Jr.**, King George, VA
(US)

(72) Inventor: **Arlen F. Brown, Jr.**, King George, VA
(US)

(**) Term: **14 Years**

(21) Appl. No.: **29/447,865**

(22) Filed: **Mar. 7, 2013**

(51) **LOC (10) Cl.** **12-02**

(52) **U.S. Cl.**
USPC **D12/16**

(58) **Field of Classification Search**
USPC D12/16, 196, 90, 91, 92, 96, 99, 1, 14;
296/77.1, 79, 83, 146.1, 152, 181.1,
296/190.01, 202; 180/89.1, 89.11, 89.12;
49/349, 502, 503
CPC B60J 9/00; B60J 11/00; B60J 5/04;
B60J 15/06; B62D 25/04; B62D 31/00
See application file for complete search history.

(56) **References Cited**

U.S. PATENT DOCUMENTS

4,621,859	A *	11/1986	Spicher	296/77.1
D291,878	S *	9/1987	Cook	D12/405
D315,329	S *	3/1991	Tisten et al.	D12/196
D348,553	S *	7/1994	Martin, Jr.	D34/37
D394,026	S *	5/1998	Hellhake et al.	D12/96
D416,221	S *	11/1999	Sutton et al.	D12/196
D427,612	S *	7/2000	Shim	D15/23
7,216,926	B2 *	5/2007	Hampel	296/190.08
D555,058	S *	11/2007	Curtis et al.	D12/196
7,597,385	B2 *	10/2009	Shibata et al.	296/190.11
D682,172	S *	5/2013	Peltola et al.	D12/196

D691,924	S *	10/2013	Smith	D12/96
D718,202	S *	11/2014	Brown, Jr.	D12/196
2005/0093331	A1 *	5/2005	Moskos et al.	296/102
2006/0087150	A1 *	4/2006	Curtis et al.	296/146.1
2013/0234467	A1 *	9/2013	Brown, Jr.	296/181.1
2014/0035313	A1 *	2/2014	Sobik	296/135

* cited by examiner

Primary Examiner — Barbara Fox

Assistant Examiner — Clese Moore, Jr.

(74) *Attorney, Agent, or Firm* — Millen, White, Zelano & Branigan, P.C.

(57) **CLAIM**

The ornamental design for a golf cart enclosure, as shown and described.

DESCRIPTION

FIG. 1 is a front view of the golf cart enclosure showing my new design.

FIG. 2 is a back view thereof.

FIG. 3 is a side view thereof.

FIG. 4 is another side view thereof.

FIG. 5 is top view thereof.

FIG. 6 is bottom view thereof; and,

FIG. 7 is a perspective view of the golf cart enclosure in an environment of use.

The broken lines shown around the claimed design in the drawing view of FIG. 7 represent an environment of use and the broken lines shown in all of the figures form no part of the claimed design.

The graphical cross hatch pattern is a symbolic representation of a cloth fabric material that exists uniformly across all surfaces on which it is shown.

1 Claim, 5 Drawing Sheets

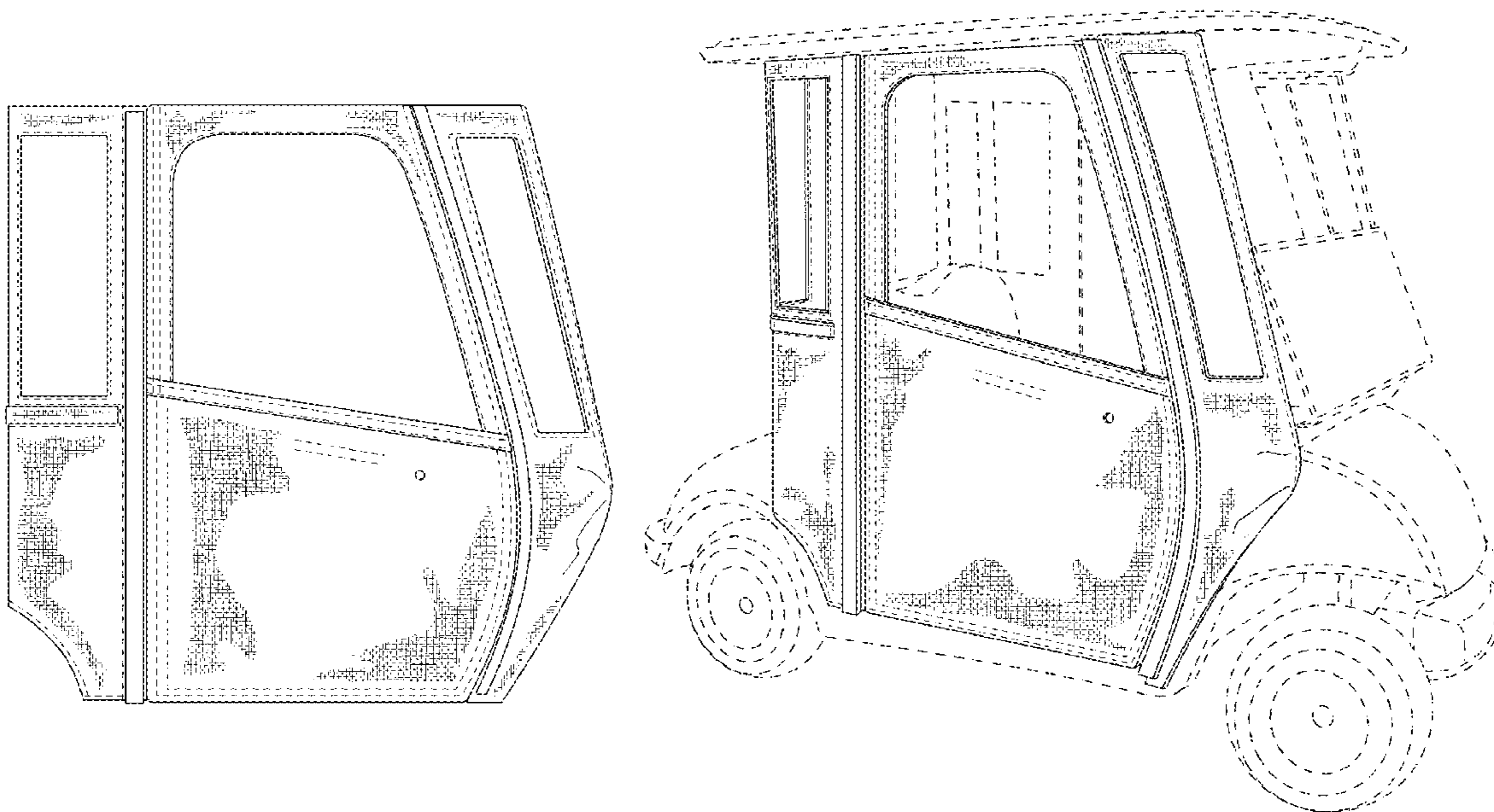


Fig. 1

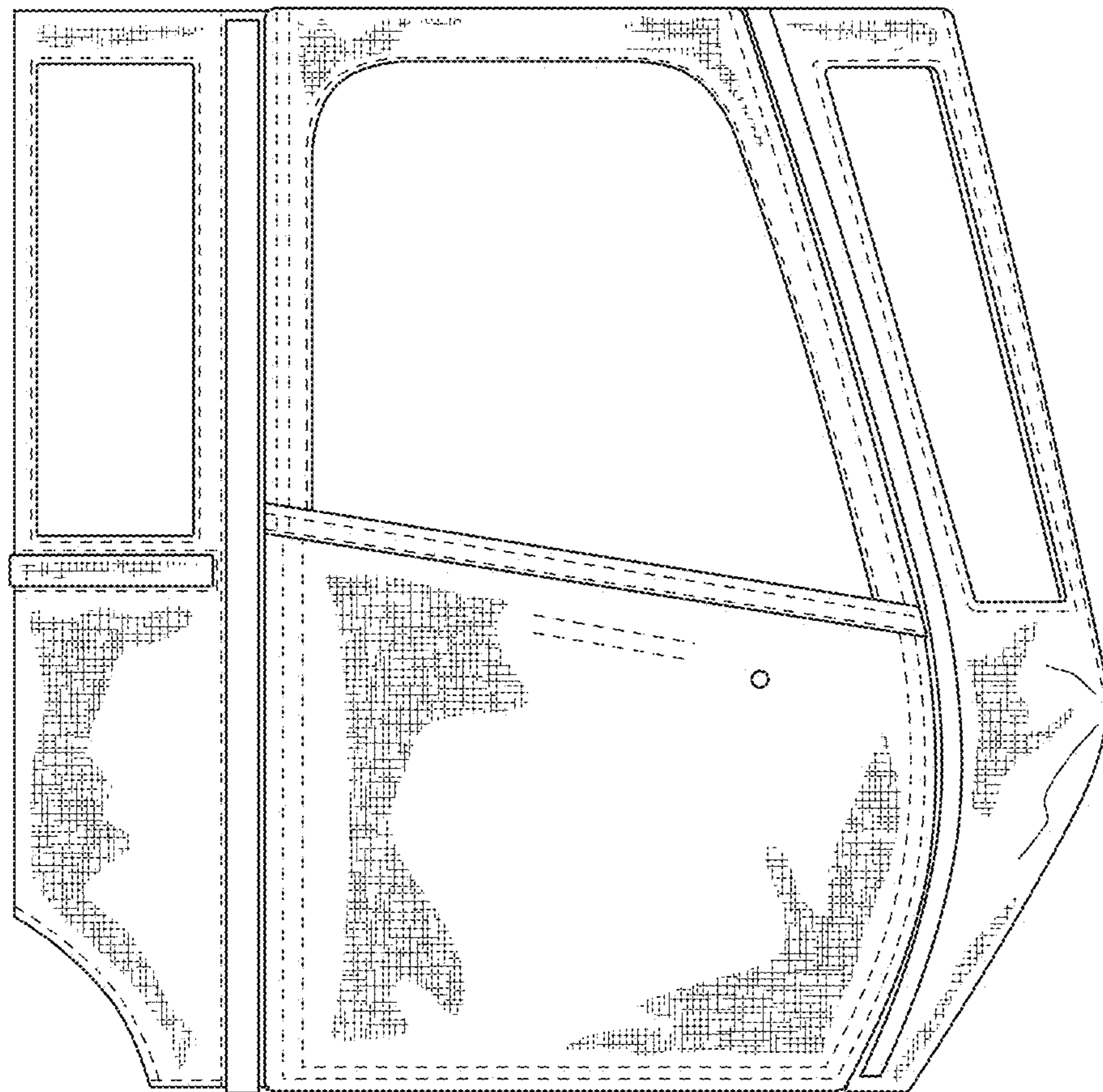
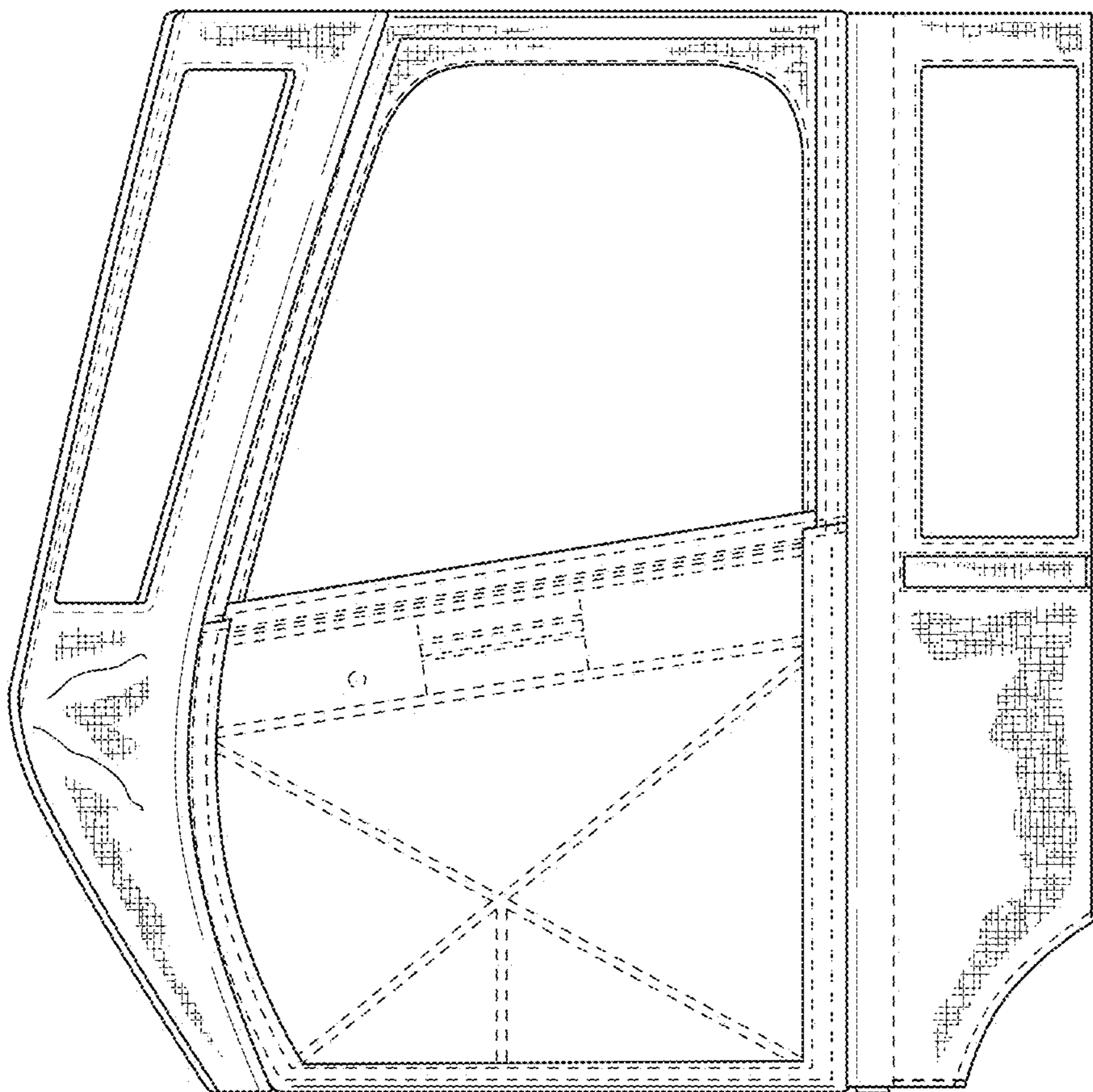


Fig. 2



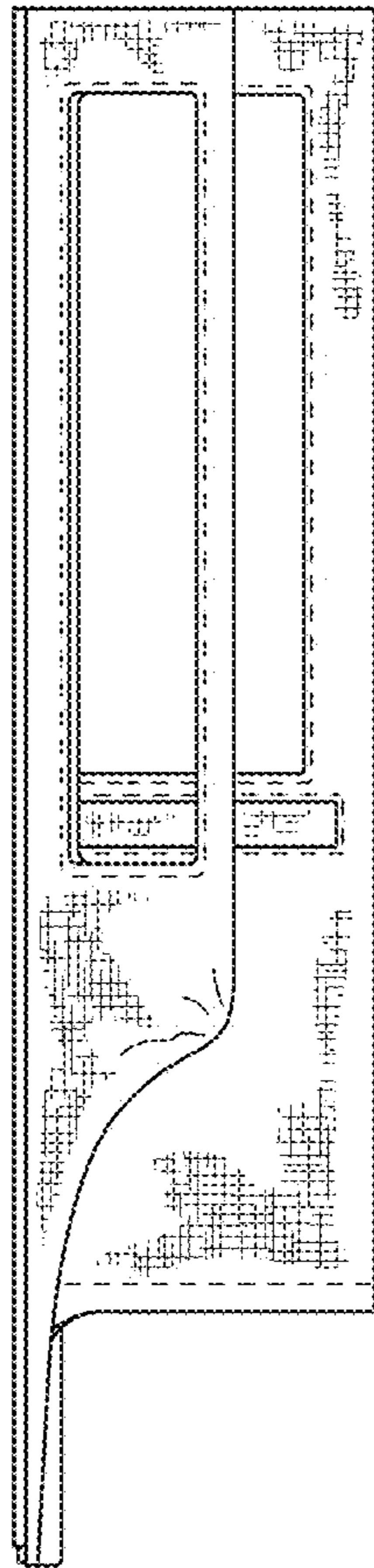


Fig. 3

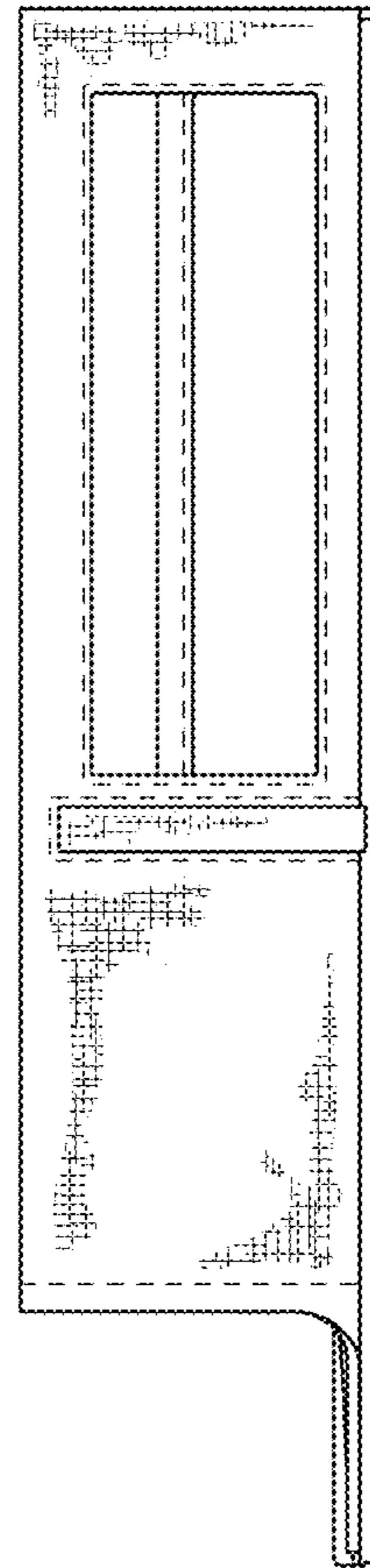
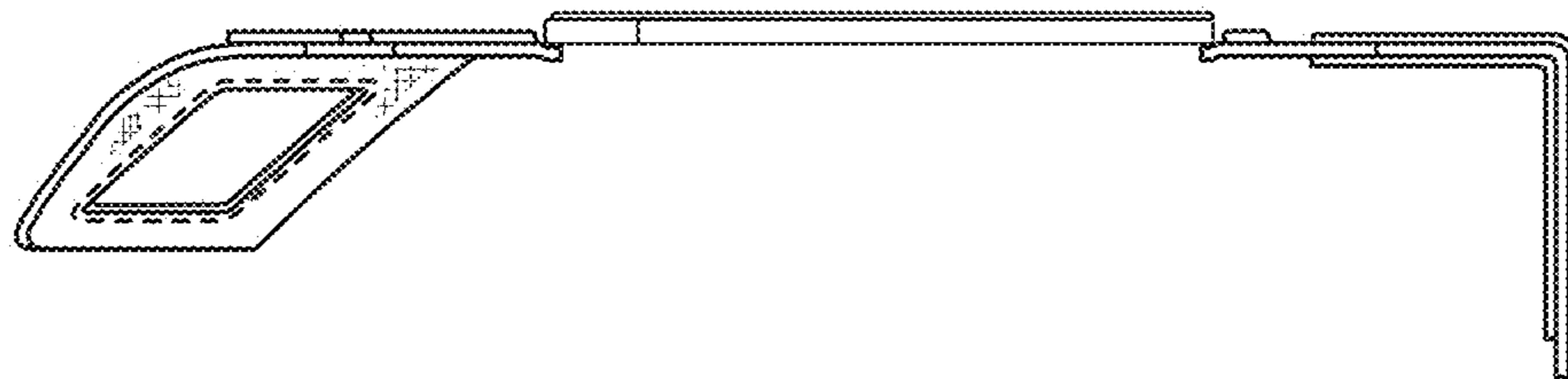


Fig. 4

Fig. 5



Fig. 6



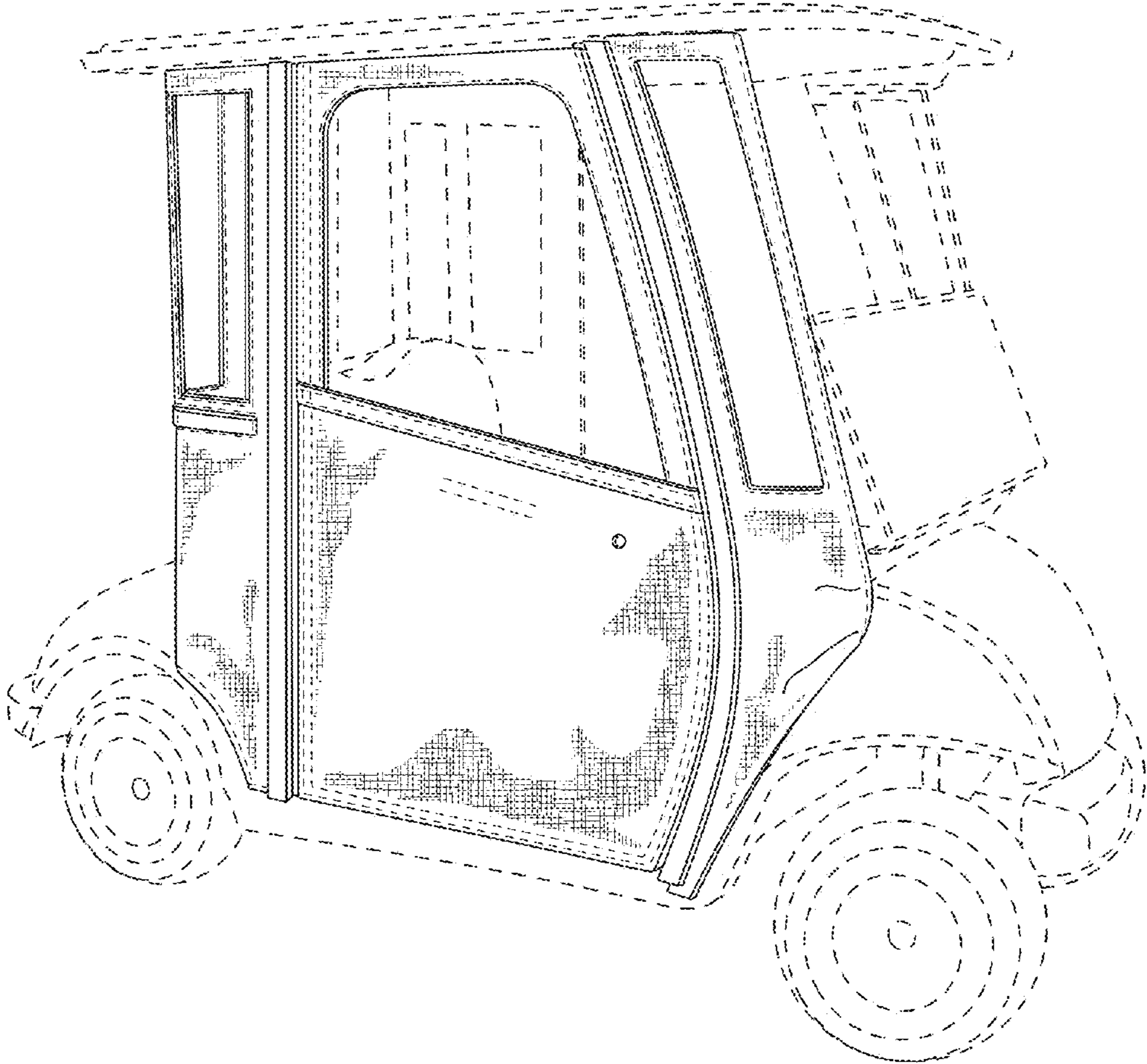


Fig. 7