



US00D740173S

(12) **United States Design Patent**  
**Treadway et al.**

(10) **Patent No.:** **US D740,173 S**  
(45) **Date of Patent:** **\*\* Oct. 6, 2015**

(54) **FOLDING MOTORIZED MOBILITY DEVICE**

(71) Applicant: **Acton, Inc.**, Altadena, CA (US)

(72) Inventors: **Peter Acton Treadway**, Arcadia, TX (US); **Enoch Morishima**, Pasadena, CA (US); **Jason Hill**, Long Beach, CA (US); **Janelle Wang Treadway**, Arcadia, CA (US)

(73) Assignee: **ACTON, INC.**, Altadena, CA (US)

(\*\*) Term: **14 Years**

(21) Appl. No.: **29/421,871**

(22) Filed: **Oct. 4, 2012**

(51) **LOC (10) Cl.** ..... **12-14**

(52) **U.S. Cl.**  
USPC ..... **D12/1**

(58) **Field of Classification Search**  
USPC ..... D12/1, 8, 10, 107, 14, 112, 85, 108, D12/113, 128, 130, 110; D21/419, 421, D21/423, 424, 435, 763, 760, 765, 432; 180/65.51, 65.1, 68.5, 180, 181, 227, 180/228; 280/651, 11.226, 11.231, 282, 280/11.16, 11.19, 14.25, 14.26, 239, 8, 29, 280/200, 220, 221, 288.1, 288.2, 288.4; 296/78.1

See application file for complete search history.

(56) **References Cited**

**U.S. PATENT DOCUMENTS**

D280,089	S	*	8/1985	Blower	.....	D12/128
D430,063	S	*	8/2000	Rutberg	.....	D12/85
D434,350	S	*	11/2000	Van Der Linden	.....	D12/112
6,390,216	B1	*	5/2002	Sueshige et al.	.....	180/65.51
D498,439	S	*	11/2004	Kirkpatrick et al.	.....	D12/112
D507,206	S	*	7/2005	Wang	.....	D12/1
D533,601	S	*	12/2006	Moreira	.....	D21/423
D540,400	S	*	4/2007	Starr	.....	D21/423
7,303,032	B2	*	12/2007	Kahlert et al.	.....	180/65.1

D566,787	S	*	4/2008	Lo	.....	D21/423
D579,987	S	*	11/2008	Hong	.....	D21/423
D603,463	S	*	11/2009	Jessie, Jr.	.....	D21/423
D626,031	S	*	10/2010	Doran	.....	D12/1
D687,741	S	*	8/2013	Zhang	.....	D12/110
D699,626	S	*	2/2014	Nam	.....	D12/1
D710,948	S	*	8/2014	Kieser et al.	.....	D21/423
2005/0134014	A1	*	6/2005	Xie	.....	280/93.502
2009/0115149	A1	*	5/2009	Wallis et al.	.....	280/6.159
2014/0090910	A1	*	4/2014	Treadway et al.	.....	180/65.51

\* cited by examiner

*Primary Examiner* — Barbara Fox

*Assistant Examiner* — Clese Moore, Jr.

(74) *Attorney, Agent, or Firm* — Finnegan, Henderson, Farabow, Garrett & Dunner, LLP

(57) **CLAIM**

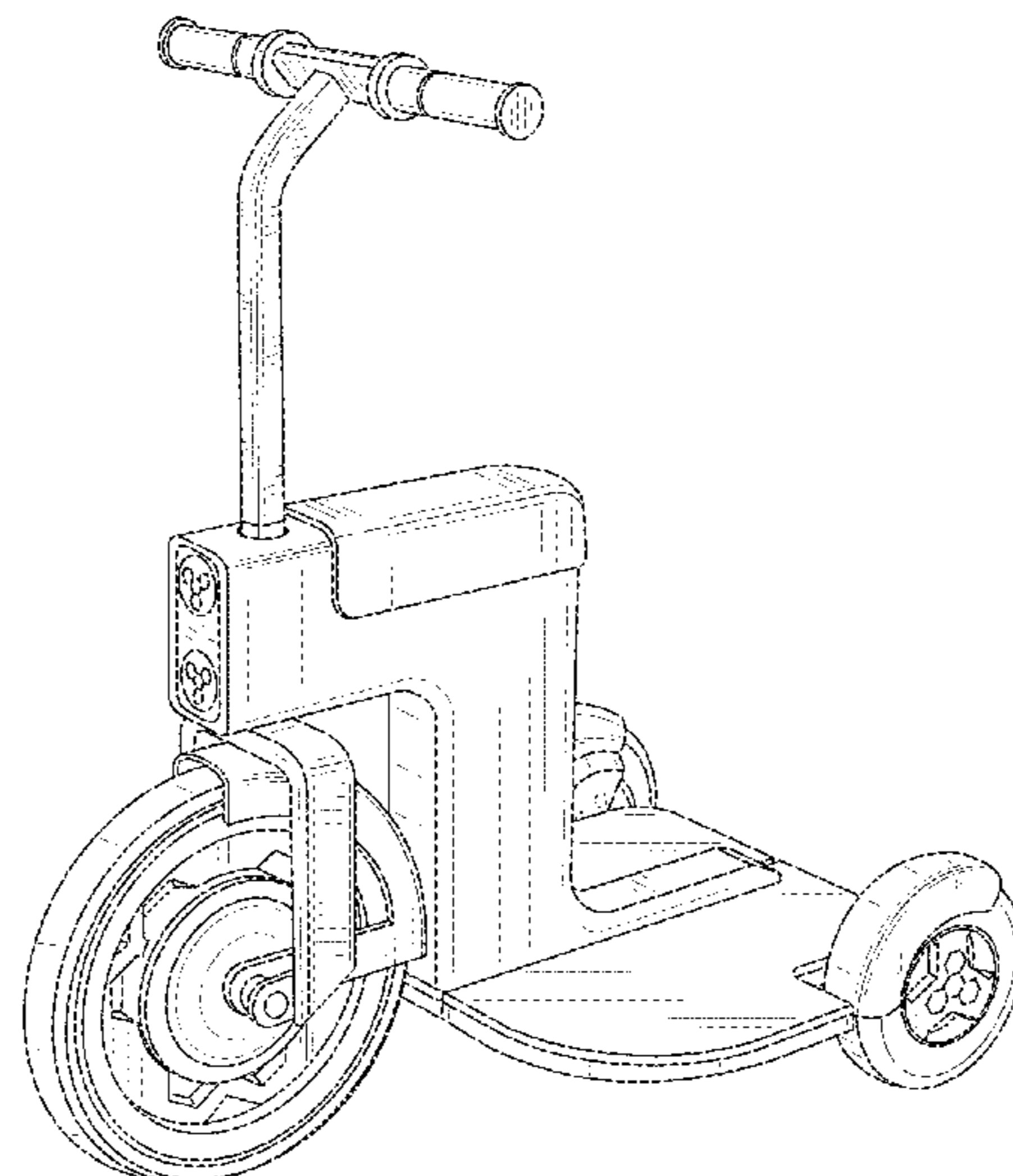
The ornamental design for a folding motorized mobility device, as shown and described.

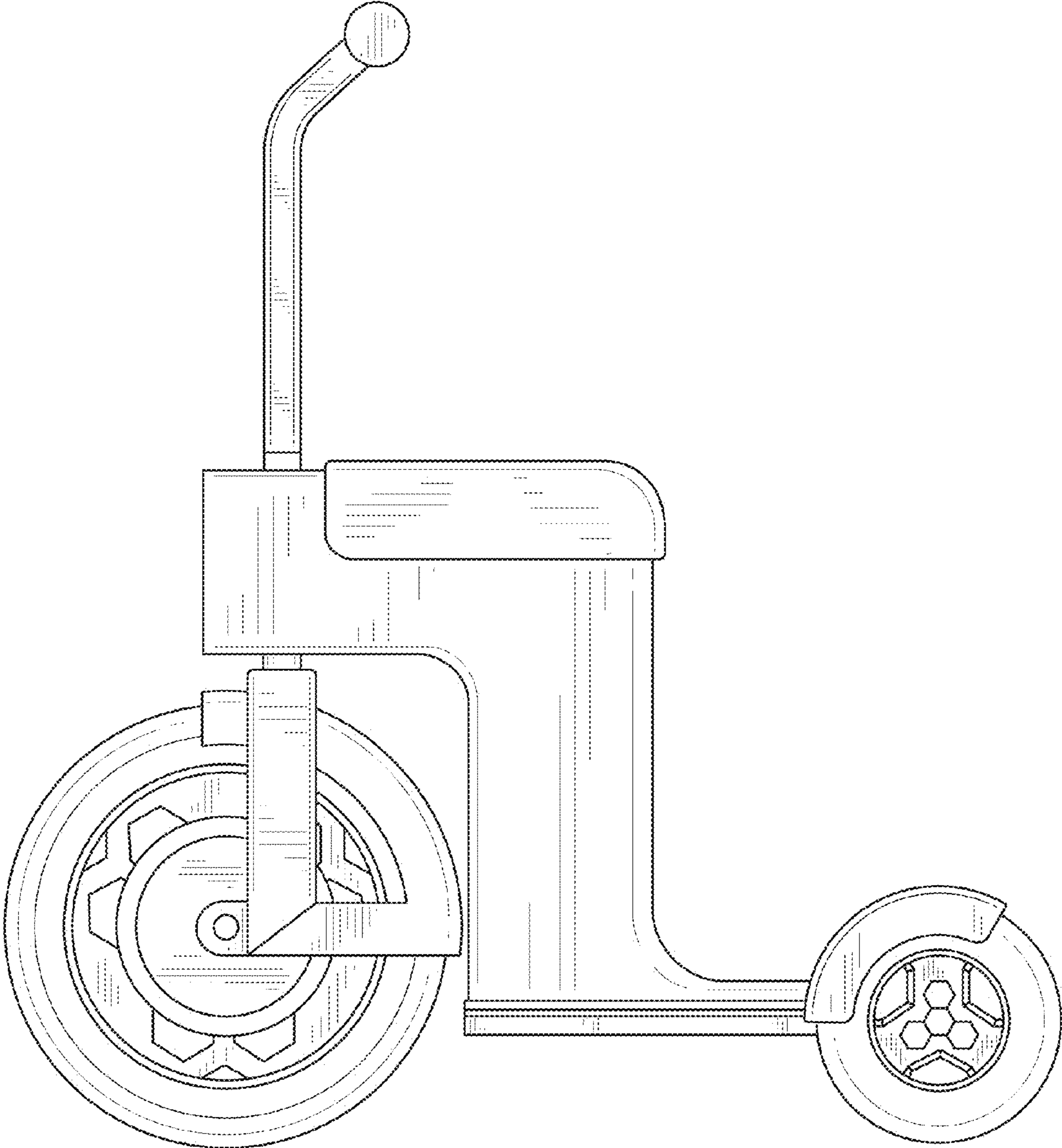
**DESCRIPTION**

FIG. 1 is a right side elevation view of a folding motorized mobility device showing our new design;  
 FIG. 2 is a right side elevation view thereof, with the seat deployed;  
 FIG. 3 is a right elevation view of FIG. 1;  
 FIG. 4 is a top plan view thereof;  
 FIG. 5 is a top plan view thereof, with the seat deployed;  
 FIG. 6 is a front right perspective view of FIG. 1;  
 FIG. 7 is a front right perspective view thereof in a completely folded position;  
 FIG. 8 is a front right perspective view thereof with the seat deployed;  
 FIG. 9 is a rear right perspective view of FIG. 1; and  
 FIG. 10 is a rear right perspective view thereof with the seat deployed.

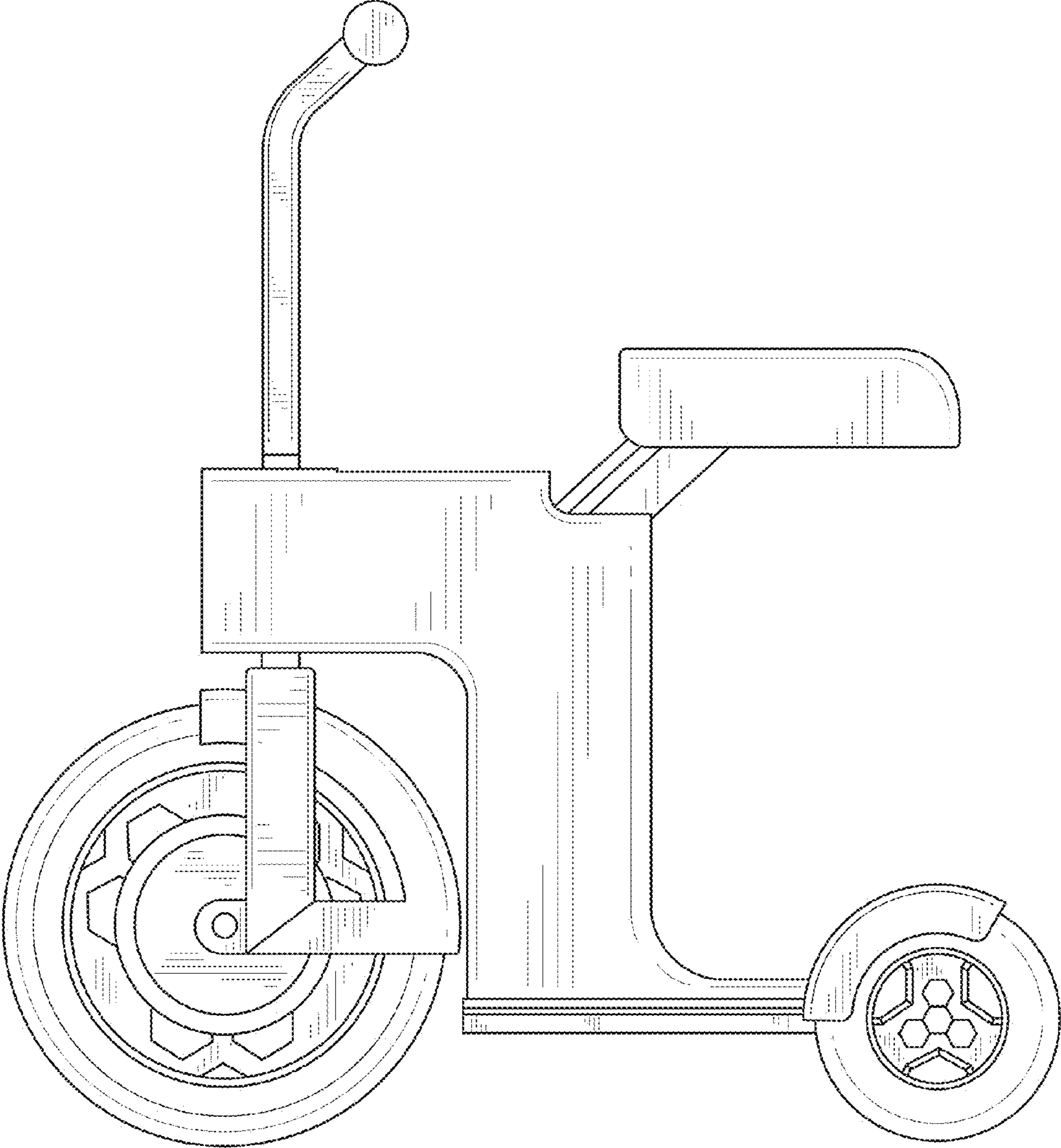
The broken lines shown in the drawings illustrate portions of the folding motorized mobility device that form no part of the claimed design.

**1 Claim, 10 Drawing Sheets**

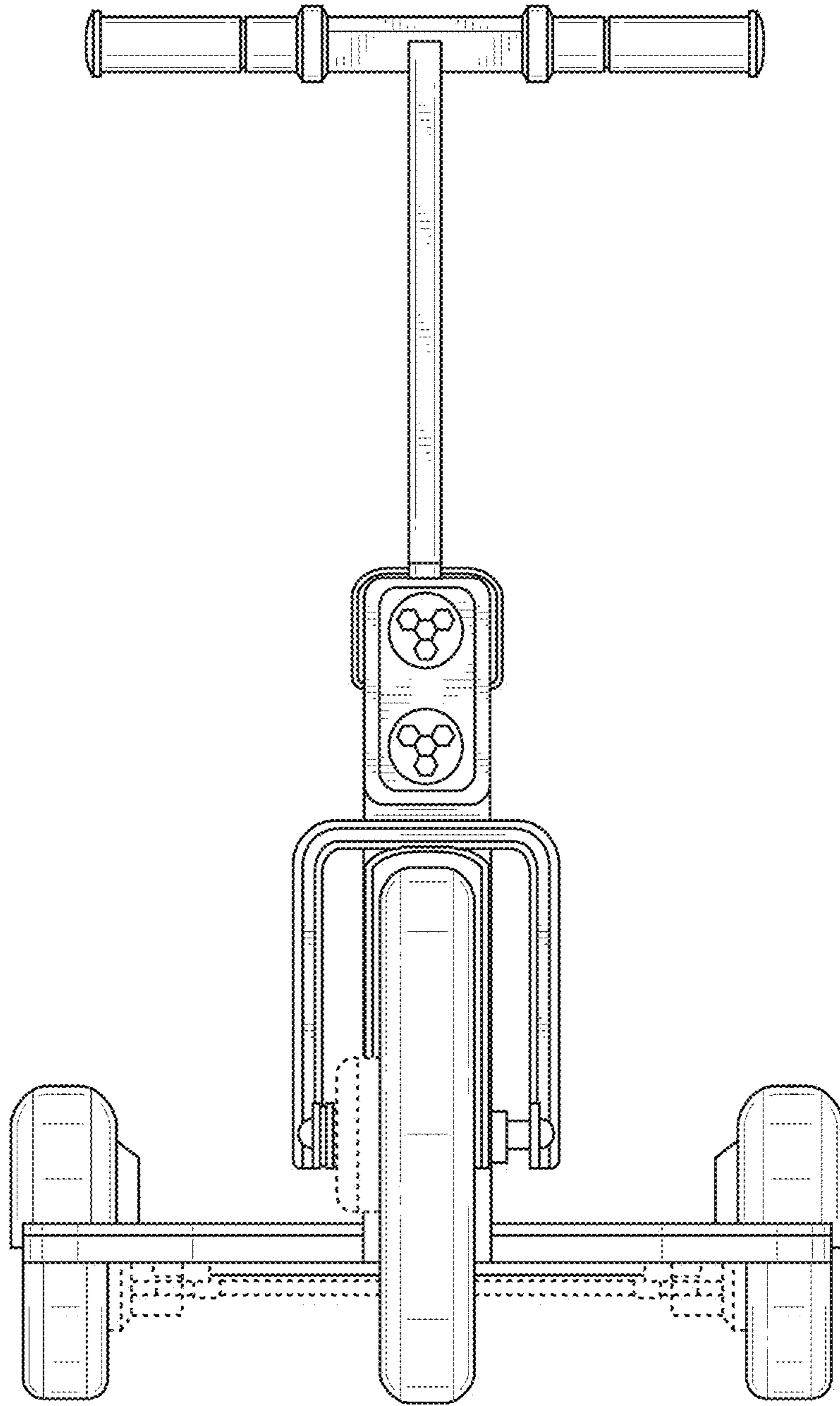




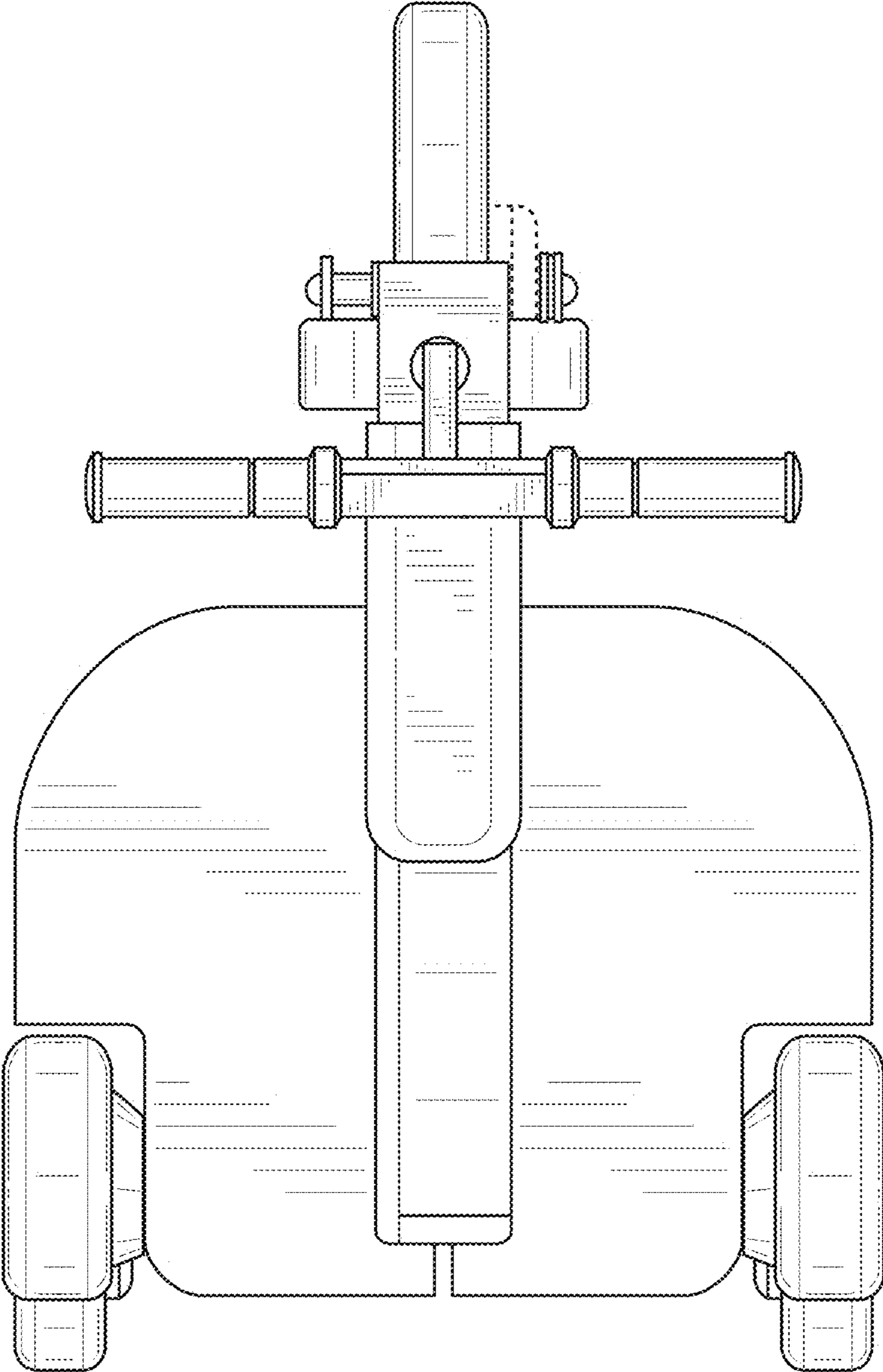
**FIG. 1**



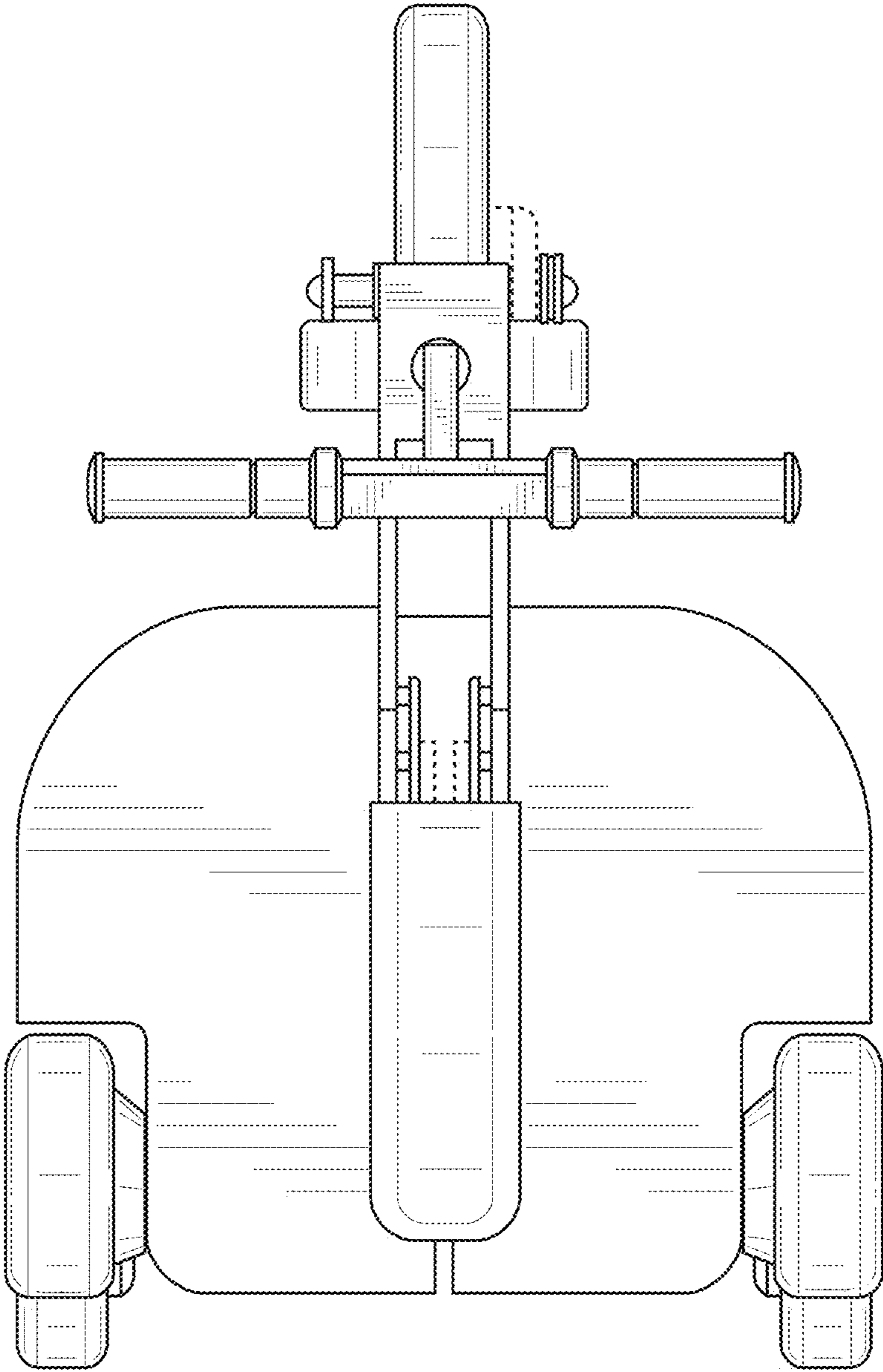
**FIG. 2**



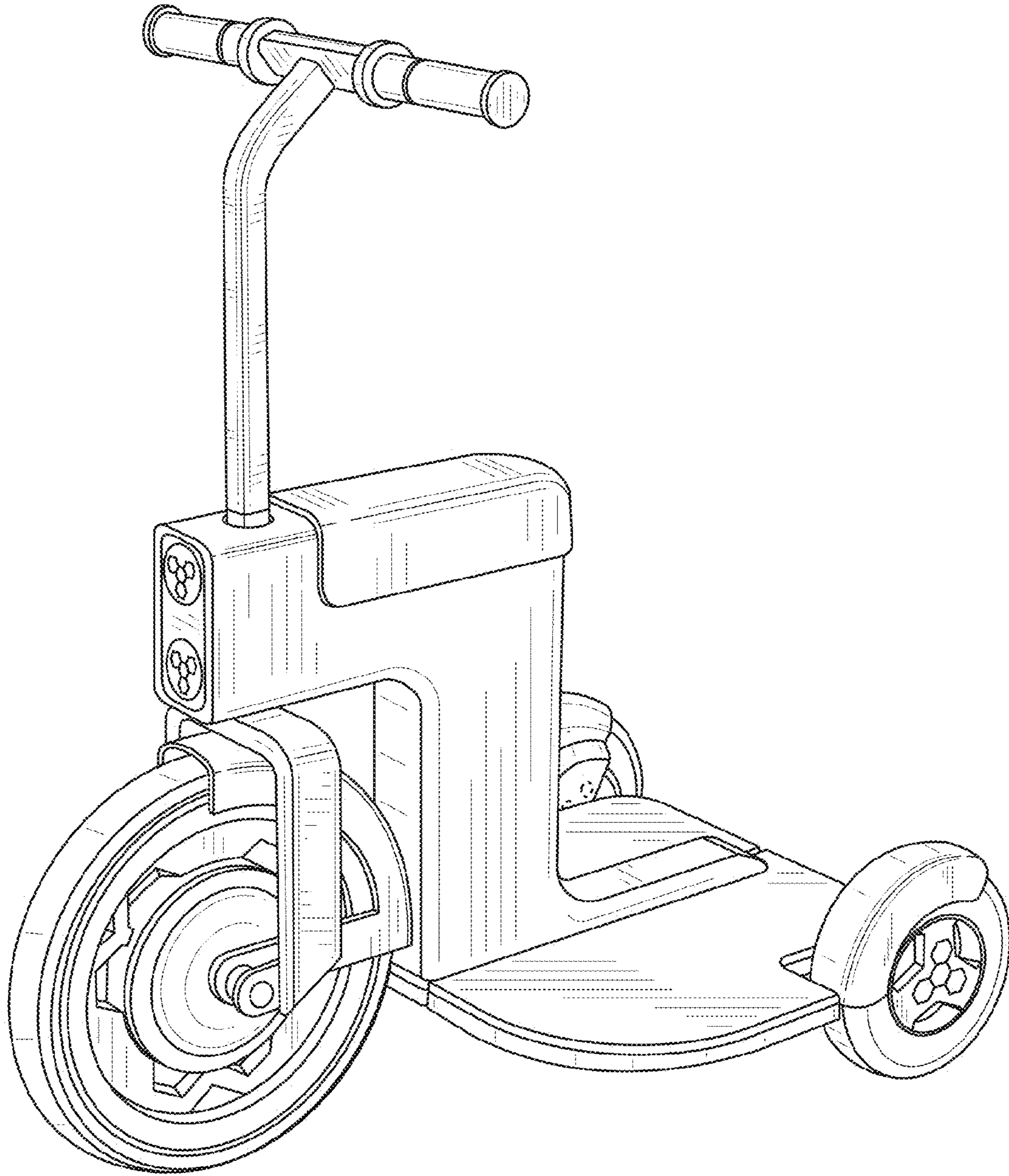
**FIG. 3**



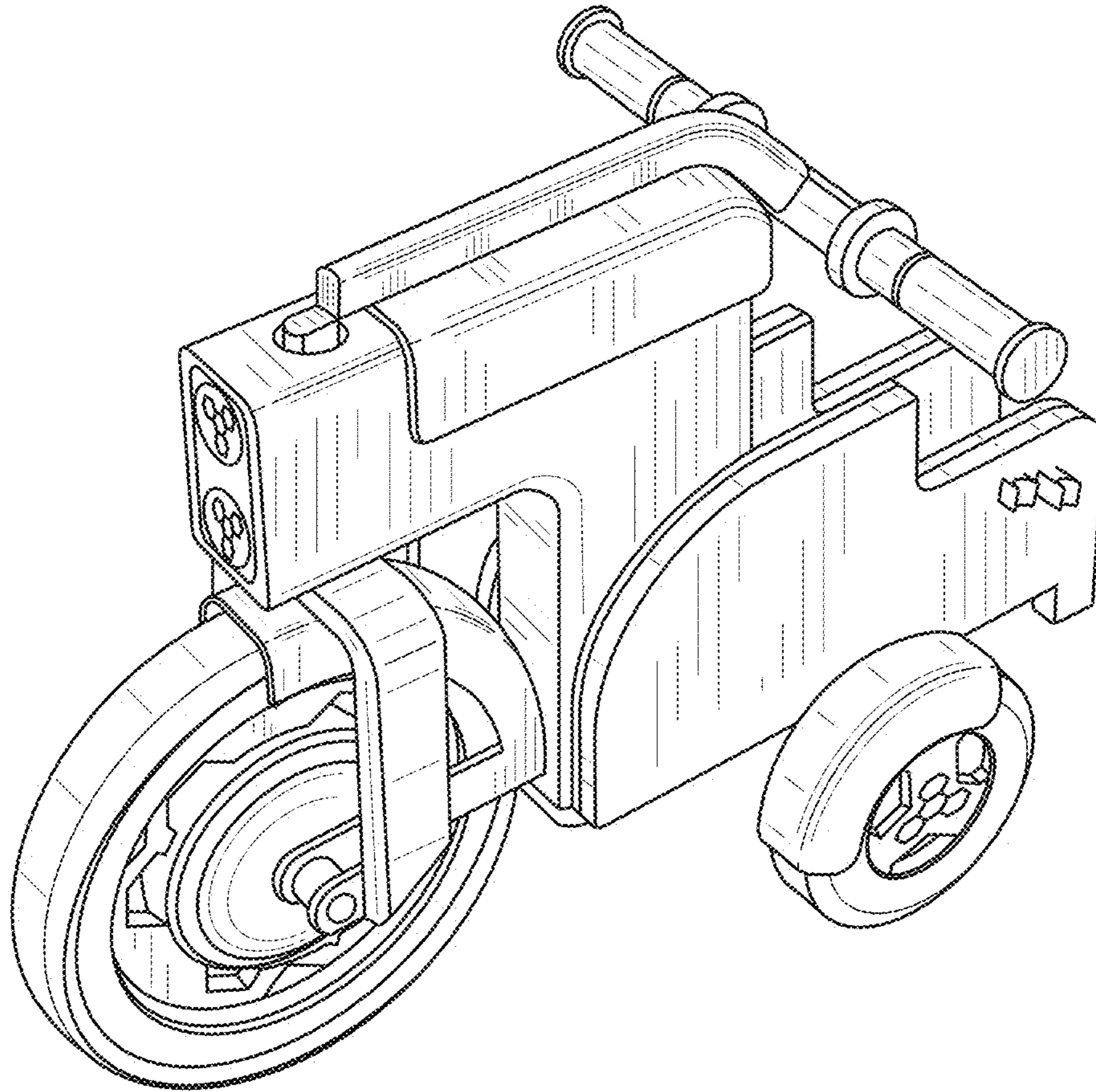
**FIG. 4**



**FIG. 5**

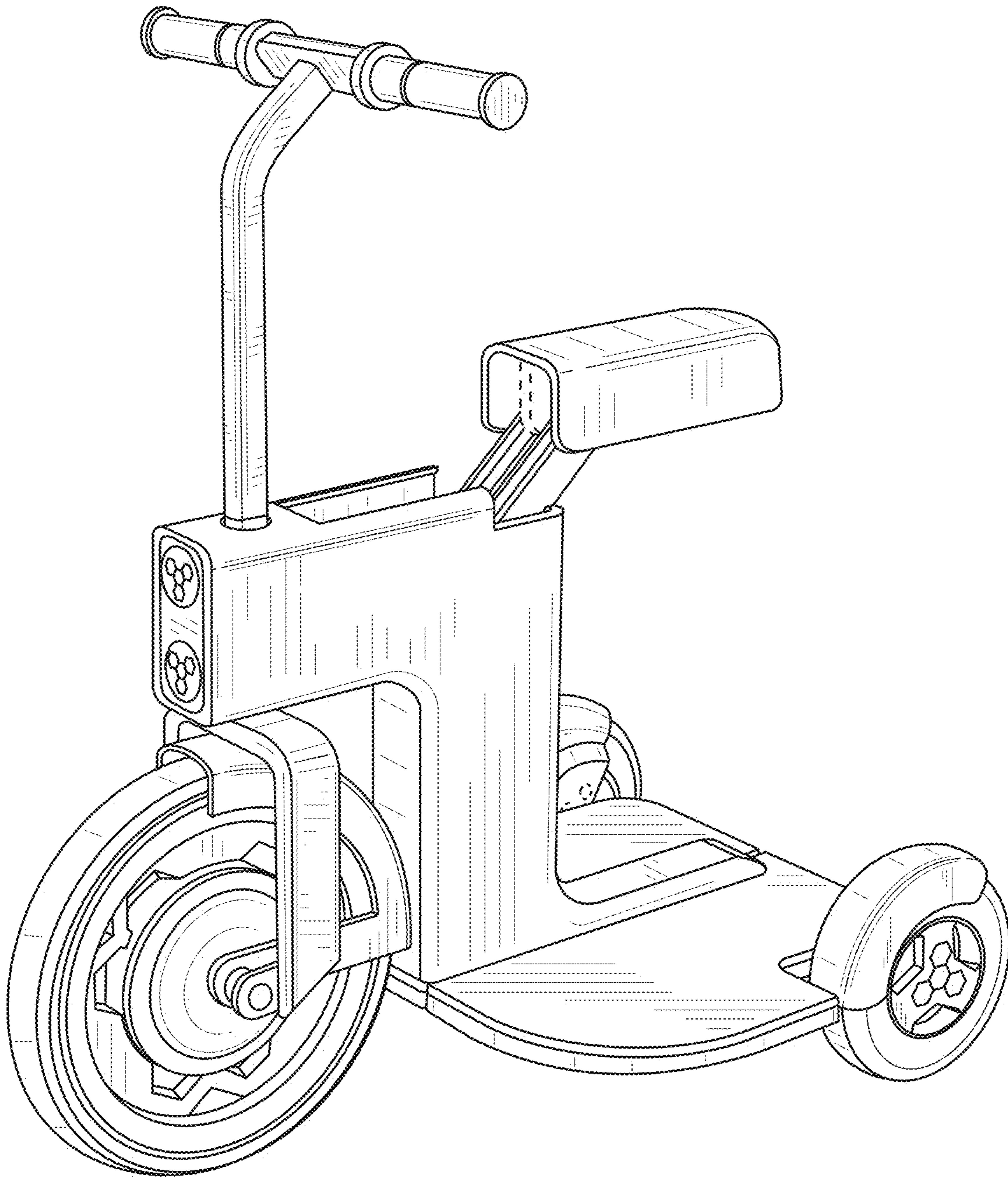


**FIG. 6**

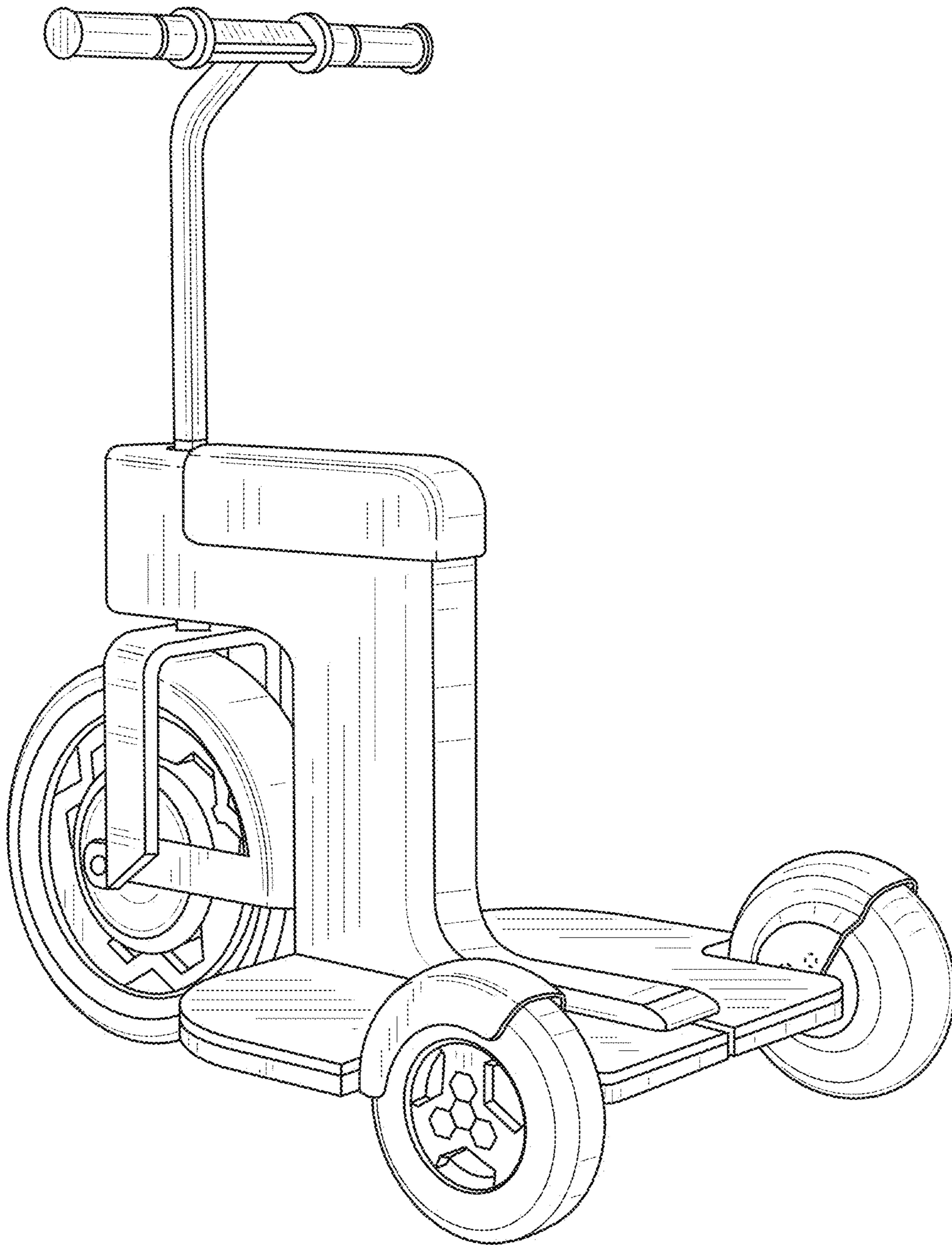


**FIG. 7**

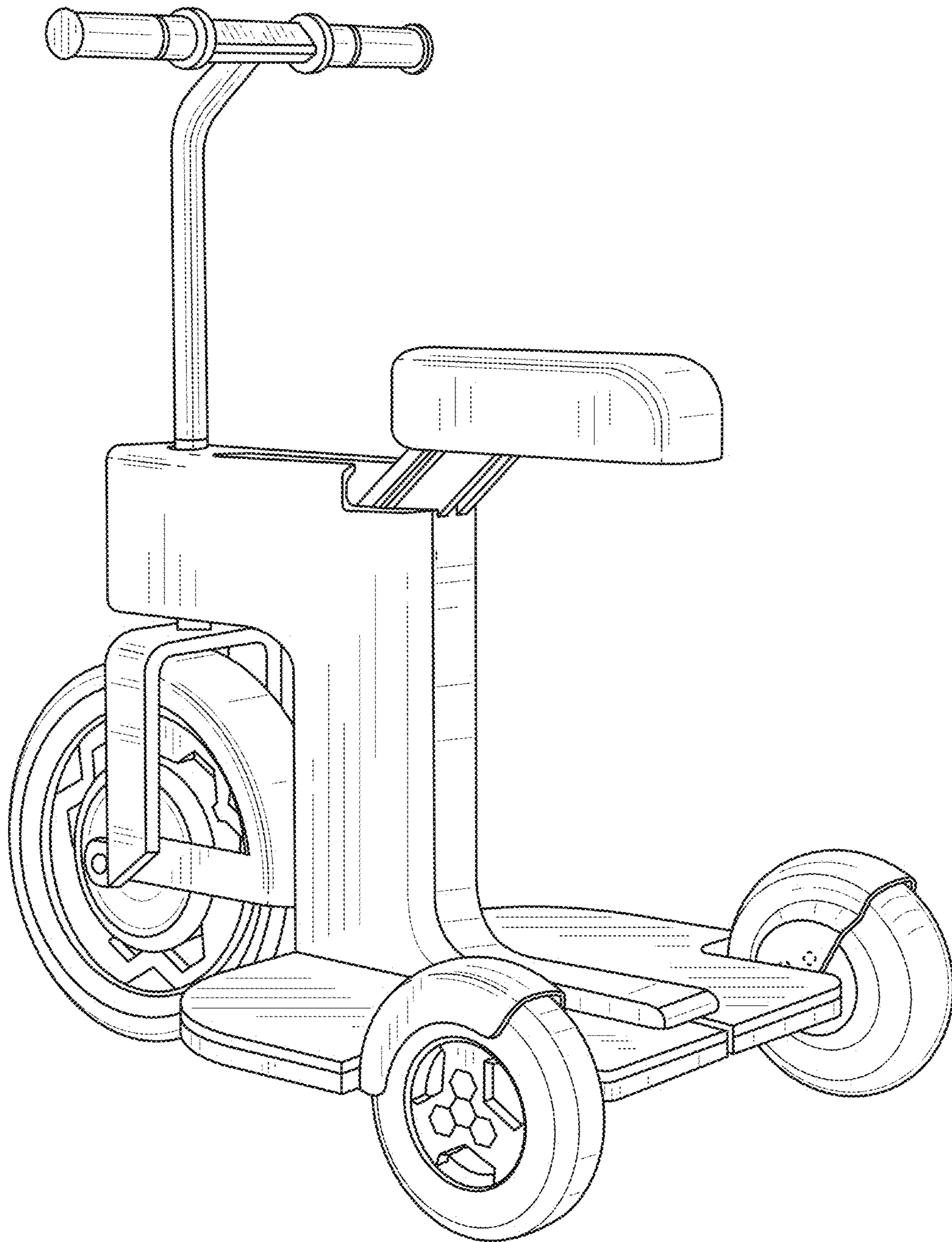




**FIG. 8**



**FIG. 9**



**FIG. 10**