



US00D740172S

(12) **United States Design Patent**  
**Tang**

(10) **Patent No.:** **US D740,172 S**  
(45) **Date of Patent:** **\*\* Oct. 6, 2015**

(54) **BUTTON COVER**

(71) Applicant: **Danny Tang**, Rowland Heights, CA  
(US)

(72) Inventor: **Danny Tang**, Rowland Heights, CA  
(US)

(\*\*) Term: **14 Years**

(21) Appl. No.: **29/523,049**

(22) Filed: **Apr. 6, 2015**

**Related U.S. Application Data**

(63) Continuation of application No. 14/455,641, filed on Aug. 8, 2014, and a continuation of application No. 14/491,138, filed on Sep. 19, 2014.

(51) **LOC (10) CI.** ..... **02-07**

(52) **U.S. CI.**  
USPC ..... **D11/222**

(58) **Field of Classification Search**

USPC ..... D11/220, 222-241, 200, 40, 95;  
24/90.5, 113 MP, 113 R, 102 SL, 562,  
24/487, 543, 662, 102 R; 63/1.17, 1.18, 33,  
63/14.1, 14.7; 40/1.5, 315; 223/1, 96;  
251/4; D32/61; D8/395; D6/315  
CPC ..... A44B 5/00; A44B 5/02; A44B 5/002;  
A44B 1/04; A44B 1/12; A44B 1/14; A44B  
17/0011; D06F 55/00; A41F 11/04; A41F  
15/02; A44C 1/00; A44C 15/00; A44C 7/00;  
A44C 3/001; G09F 3/04  
See application file for complete search history.

(56) **References Cited**

**U.S. PATENT DOCUMENTS**

581,111 A \* 4/1897 Goodwin ..... 40/315  
834,943 A \* 11/1906 Steinberg ..... 24/90.5  
1,747,322 A 2/1930 Riker  
2,751,654 A \* 6/1956 Armbruster ..... 24/113 MP

2,880,487 A \* 4/1959 Ryan ..... 24/113 MP  
3,316,601 A 5/1967 Ryan  
3,343,230 A 9/1967 Darvie  
3,923,213 A \* 12/1975 George et al. .... 223/96  
3,934,313 A 1/1976 Hocq  
3,942,228 A \* 3/1976 Buckman et al. .... 251/4  
3,962,758 A \* 6/1976 Knappe et al. .... 24/562  
4,539,731 A 9/1985 Torrini  
4,807,334 A \* 2/1989 Blanchard ..... 24/487  
4,817,249 A 4/1989 Astier

(Continued)

**FOREIGN PATENT DOCUMENTS**

WO 2007061261 A1 5/2007

*Primary Examiner* — T. Chase Nelson

*Assistant Examiner* — Mark Cavanna

(74) *Attorney, Agent, or Firm* — Pacifica IP

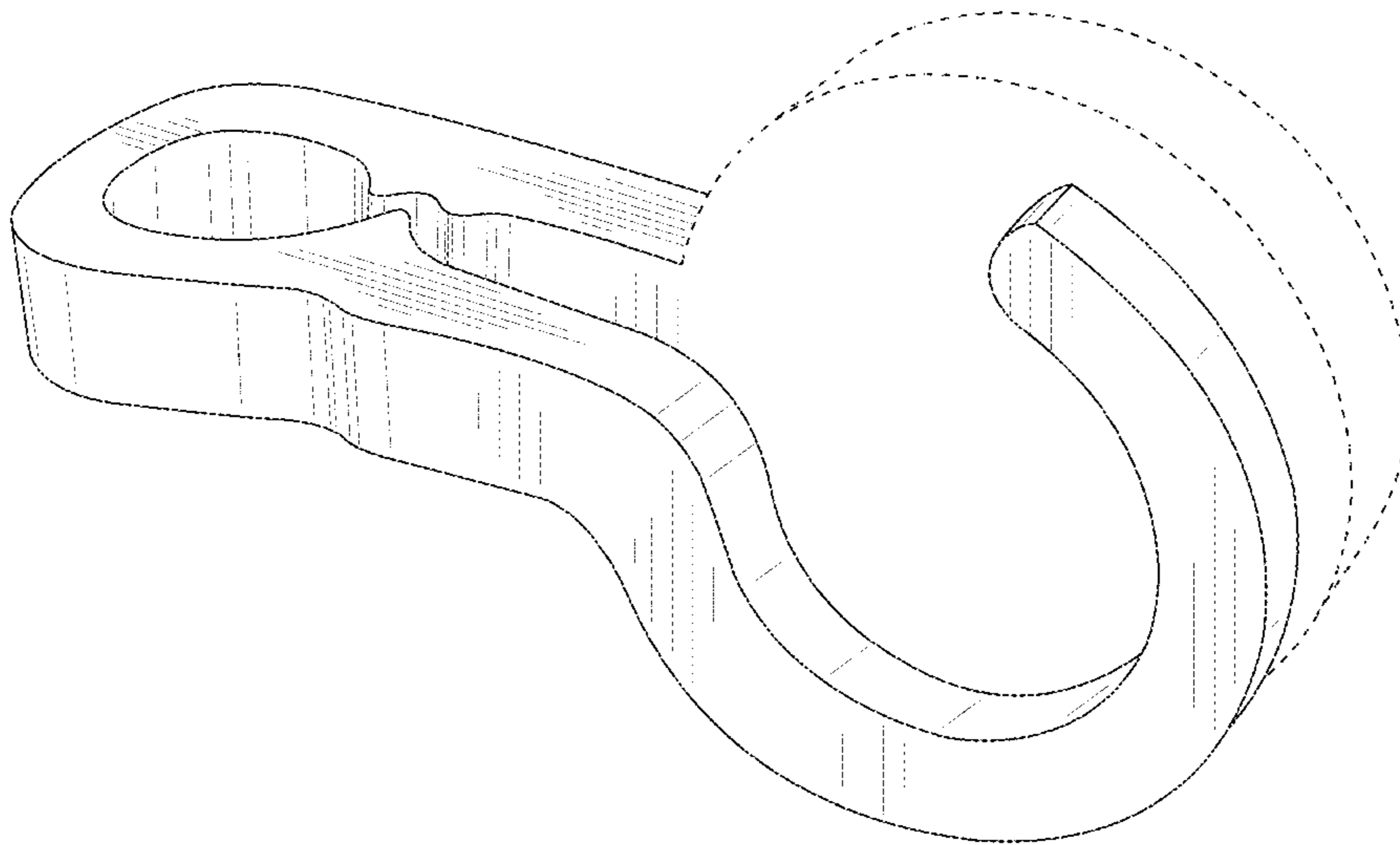
(57) **CLAIM**

The ornamental design for a button cover, as shown and described.

**DESCRIPTION**

FIG. 1 shows a rear perspective view of a button cover;  
FIG. 2 shows a right side elevational view of the button cover  
FIG. 1;  
FIG. 3 shows a left side elevational view of the button cover  
of FIG. 1;  
FIG. 4 shows a rear elevational view of the button cover of  
FIG. 1;  
FIG. 5 shows a front elevational view of the button cover of  
FIG. 1;  
FIG. 6 shows a bottom plan view of the button cover of FIG.  
1; and,  
FIG. 7 shows a top plan view of button cover of FIG. 1.  
The broken lines are included for the purpose of illustrating  
portions of the button cover that form no part of the claimed  
design.

**1 Claim, 6 Drawing Sheets**



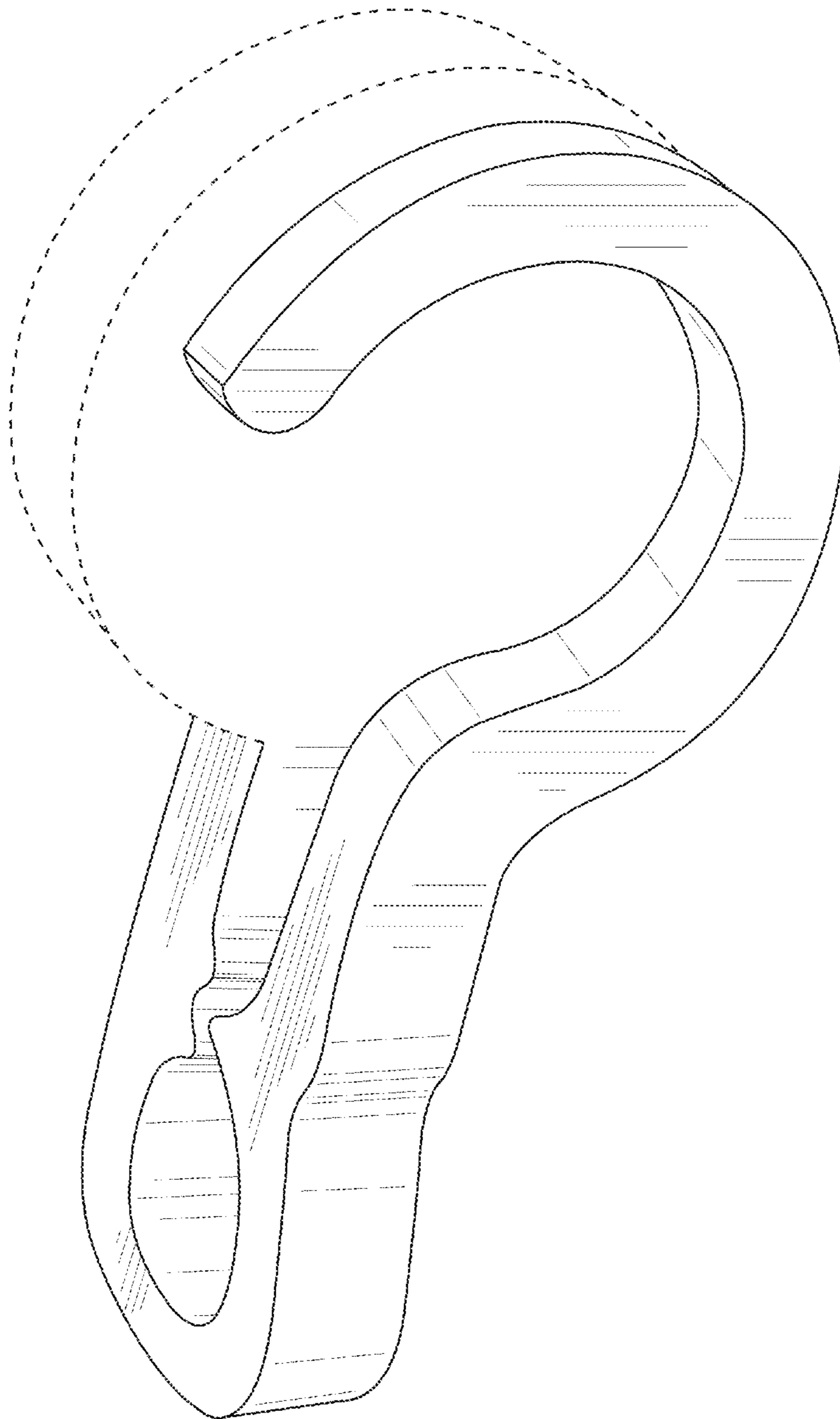
(56)

References Cited

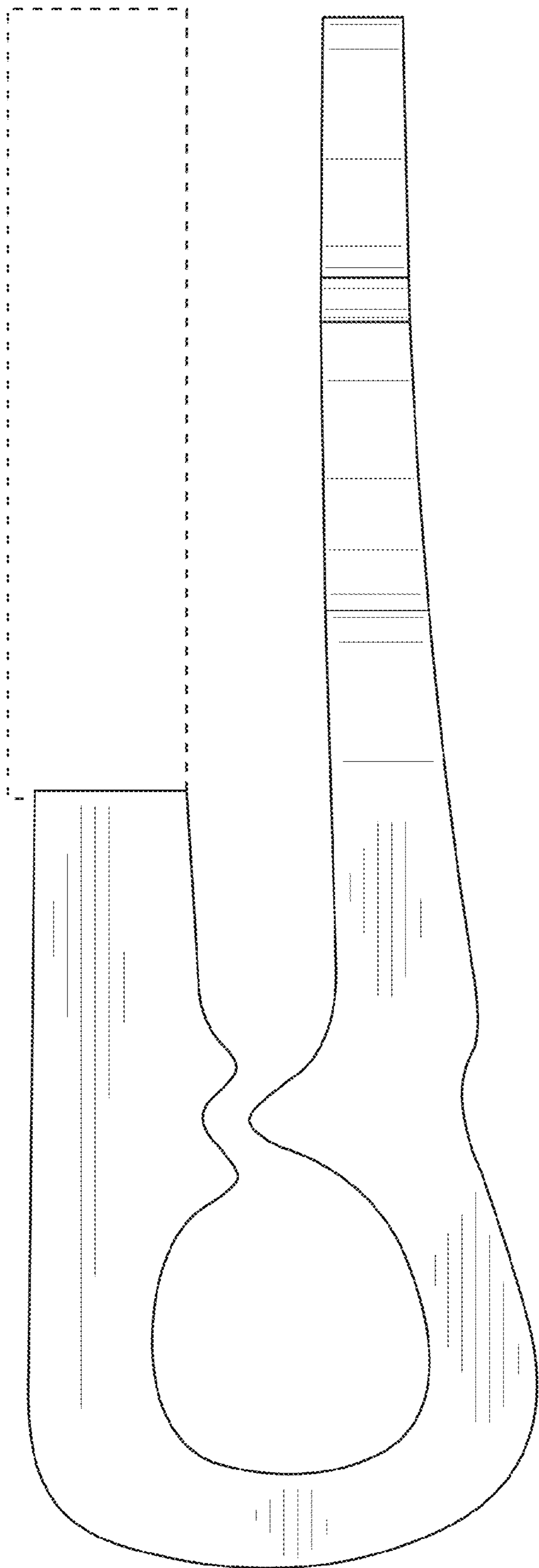
U.S. PATENT DOCUMENTS

5,060,356 A	10/1991	Szedzinski		6,857,167 B2	2/2005	Bishop	
D327,149 S *	6/1992	Harper, IV	D32/61	D504,576 S *	5/2005	Strollo	D6/315
5,159,730 A *	11/1992	Radvin	24/543	7,203,999 B2	4/2007	Bagot	
5,161,285 A	11/1992	Jerjian		7,350,274 B2	4/2008	Rogers	
5,337,584 A	8/1994	Angeli		7,743,471 B2	6/2010	Rogers	
5,379,611 A *	1/1995	Impagliazzo	63/14.1	8,042,233 B2 *	10/2011	Surratt	24/102 R
5,394,719 A	3/1995	Fang		D712,308 S	9/2014	Weber et al.	
D368,589 S *	4/1996	Guio	D32/61	D720,255 S	12/2014	Gramatikas	
5,546,641 A *	8/1996	Radvin et al.	24/562	2004/0226145 A1	11/2004	Ouellette et al.	
5,621,951 A	4/1997	Gould		2008/0313864 A1	12/2008	Suter	
D386,215 S *	11/1997	White et al.	D8/395	2011/0000052 A1	1/2011	Suter	
5,901,417 A *	5/1999	Alexiou	24/90.5	2011/0056049 A1	3/2011	Rice	
5,944,236 A *	8/1999	Cinque	223/1	2011/0061207 A1	3/2011	Forbes	
6,035,494 A	3/2000	Duke et al.		2011/0271715 A1	11/2011	Stone	
6,463,636 B1 *	10/2002	Friedewald	24/662	2011/0277502 A1	11/2011	Welikson	
				2012/0030863 A1	2/2012	Marasco et al.	
				2012/0240356 A1	9/2012	Nathanson	
				2012/0278973 A1	11/2012	Berkowitz et al.	

\* cited by examiner



**FIG. 1**



**FIG. 2**

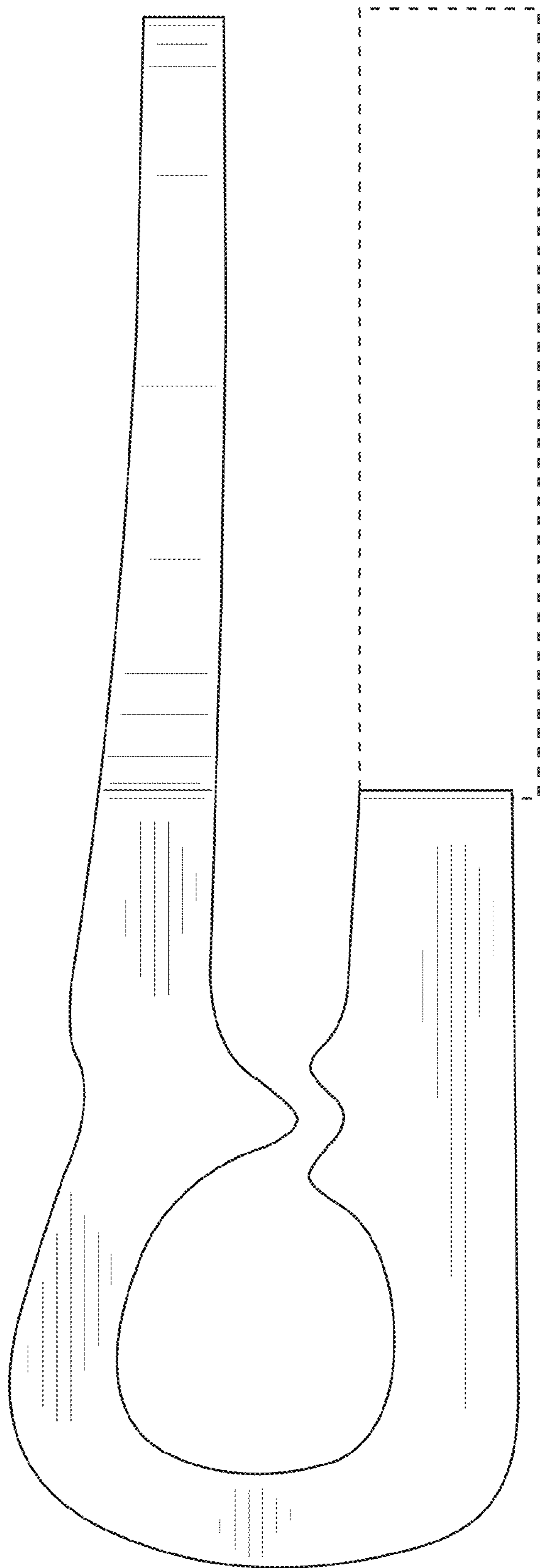
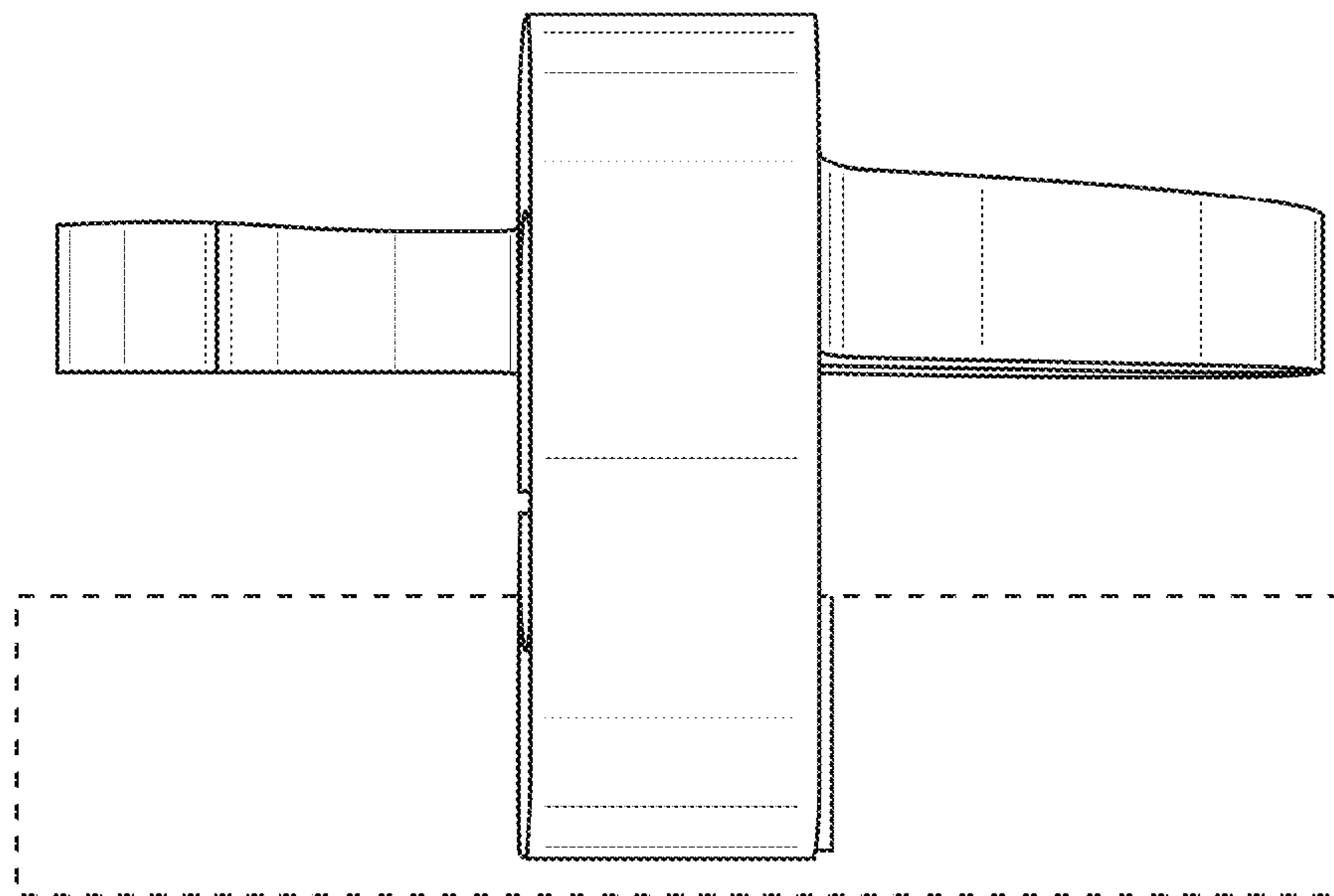
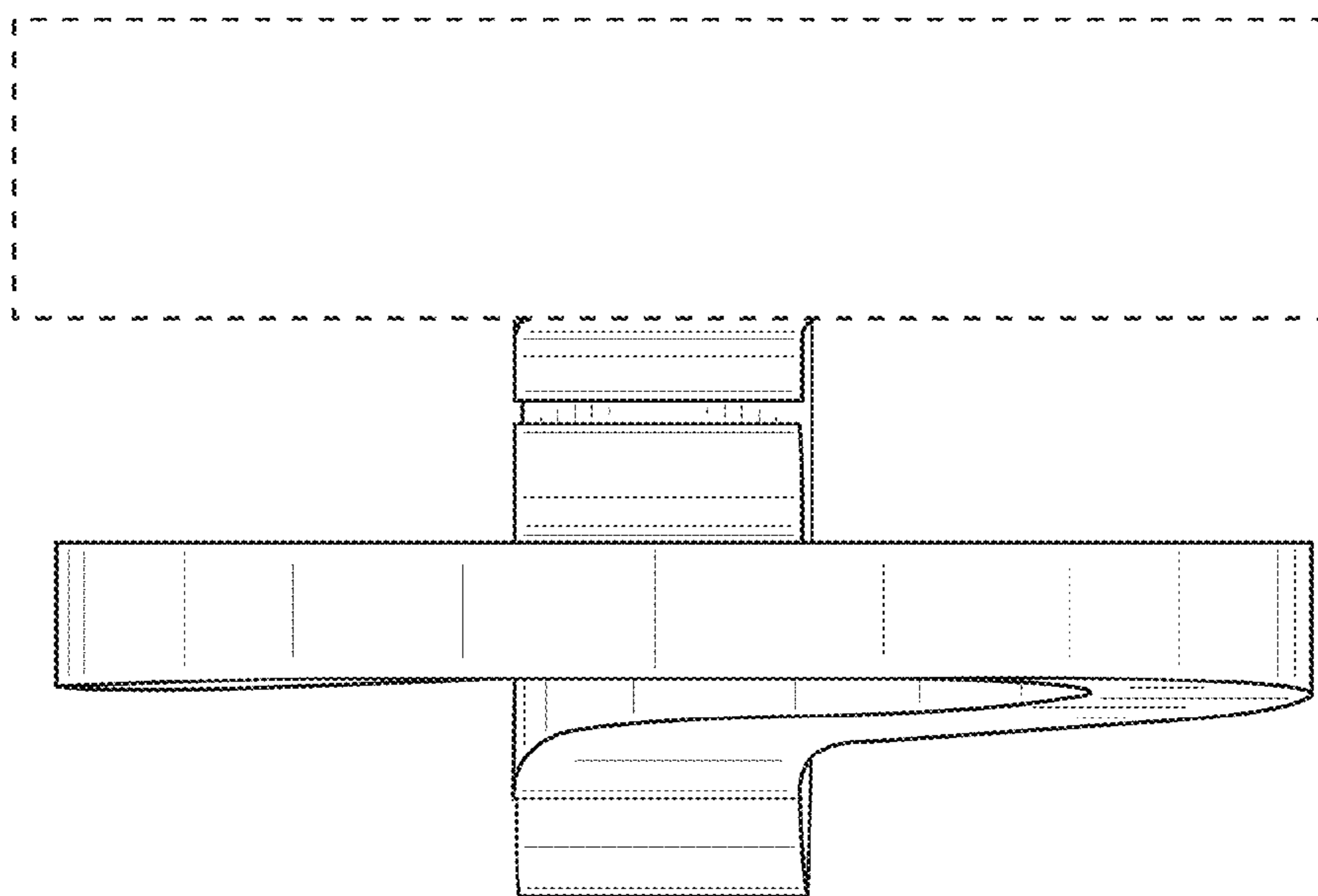


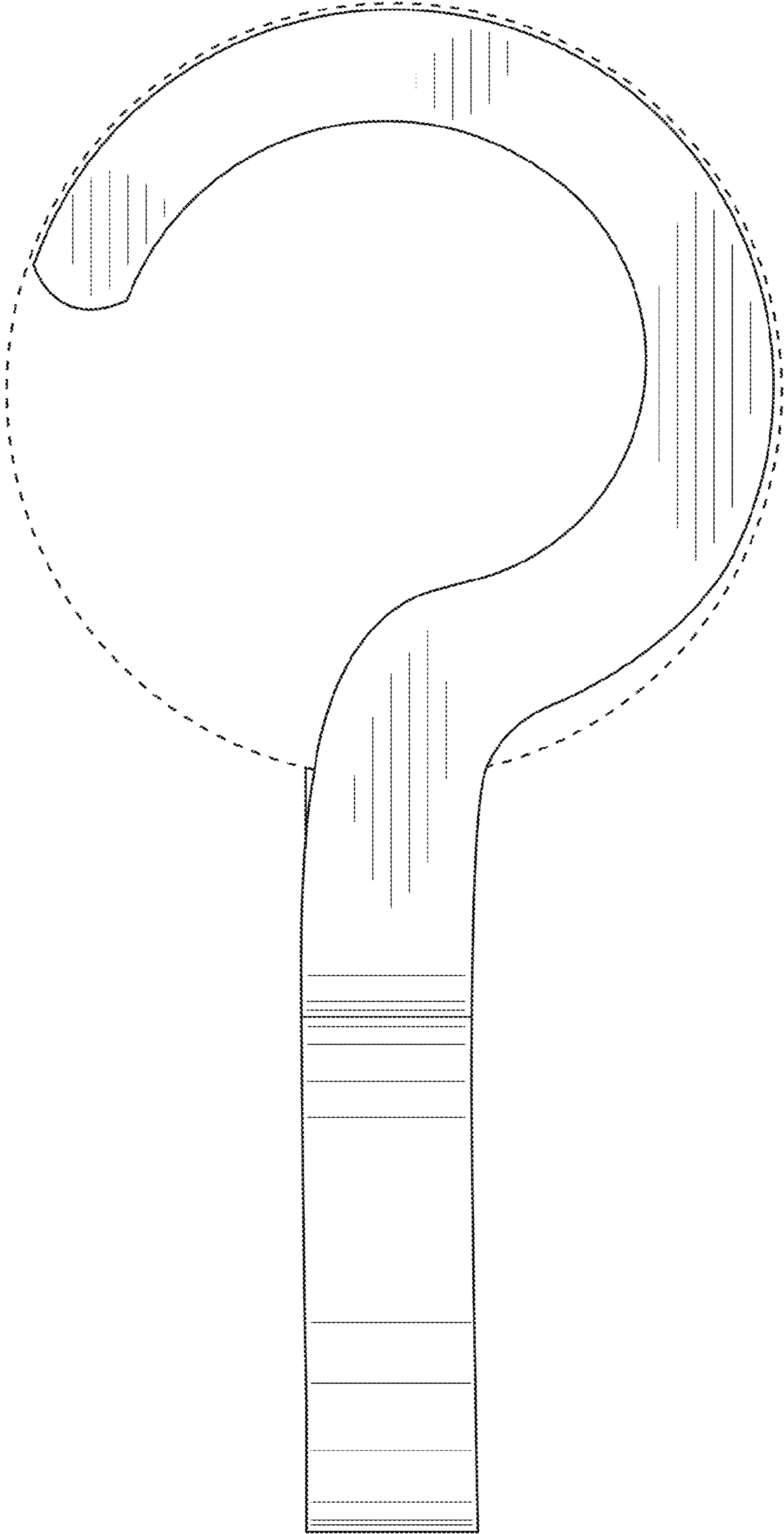
FIG. 3



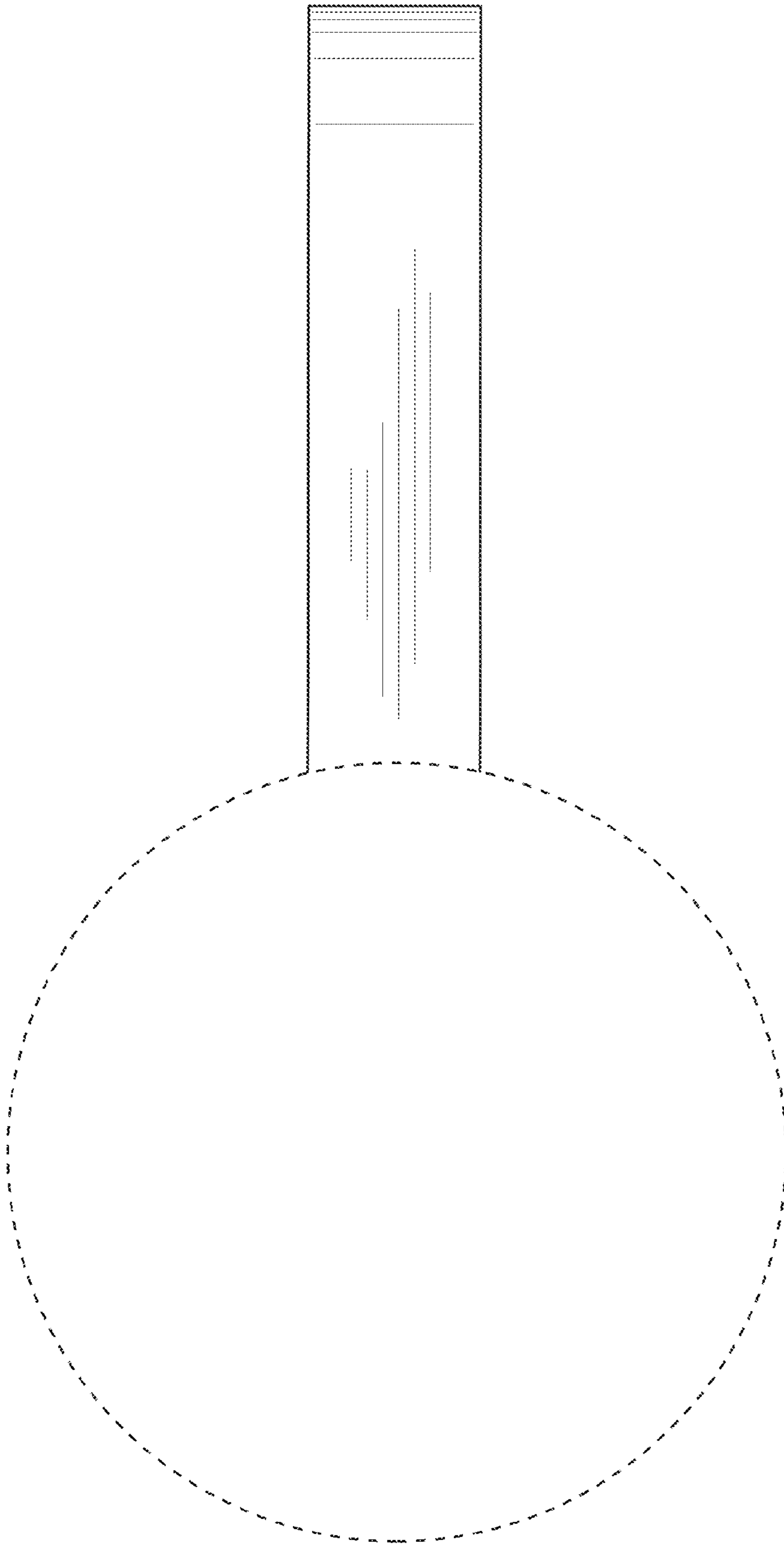
**FIG. 5**



**FIG. 4**



**FIG. 6**



**FIG. 7**