



US00D740168S

(12) **United States Design Patent**
Fildan et al.

(10) **Patent No.:** **US D740,168 S**

(45) **Date of Patent:** **** Oct. 6, 2015**

(54) **REVERSIBLE LOCKING GARMENT CLOSURE**

(71) Applicants: **Gerhard Fildan**, Vienna (AT); **Karl Wanzenböck**, Teesdorf (AT)

(72) Inventors: **Gerhard Fildan**, Vienna (AT); **Karl Wanzenböck**, Teesdorf (AT)

(73) Assignee: **Victoria's Secret Stores Brand Management, Inc.**, Reynoldsburg, OH (US)

(**) Term: **14 Years**

(21) Appl. No.: **29/500,632**

(22) Filed: **Aug. 27, 2014**

(30) **Foreign Application Priority Data**

Jun. 10, 2014 (EM) 002479709-0001
Jun. 10, 2014 (EM) 002479709-0002
Jun. 10, 2014 (EM) 002479709-0003

(51) **LOC (10) CL.** **02-07**

(52) **U.S. CL.**
USPC **D11/218**

(58) **Field of Classification Search**
USPC D11/1-2, 200-201, 206-210, 214-218;
24/163 R, 169-171, 173, 177-179, 191,
24/194-195, 197, 200, 614-616, 625, 198,
24/630; D8/349, 395
CPC A44B 11/26; A44B 11/25

See application file for complete search history.

(56) **References Cited**

U.S. PATENT DOCUMENTS

D350,712 S * 9/1994 D'Ambrosio et al. D11/218
D356,525 S * 3/1995 Fildan D11/218
D387,014 S * 12/1997 Matoba D11/218
D475,653 S * 6/2003 Fildan et al. D11/216

* cited by examiner

Primary Examiner — Ralf Seifert

(74) *Attorney, Agent, or Firm* — Andrus Intellectual Property Law, LLP

(57) **CLAIM**

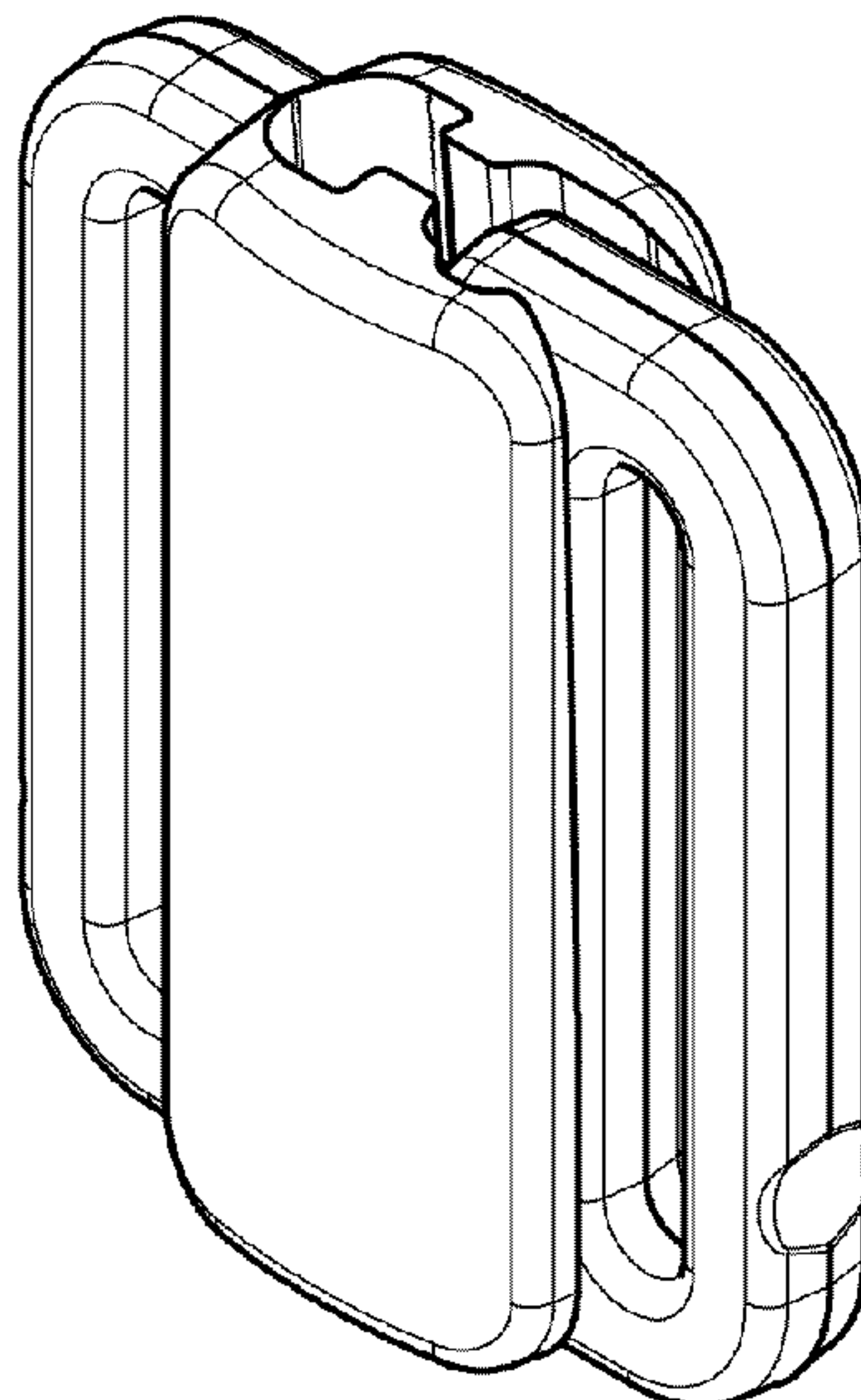
The ornamental design for a reversible locking garment closure, as shown and described.

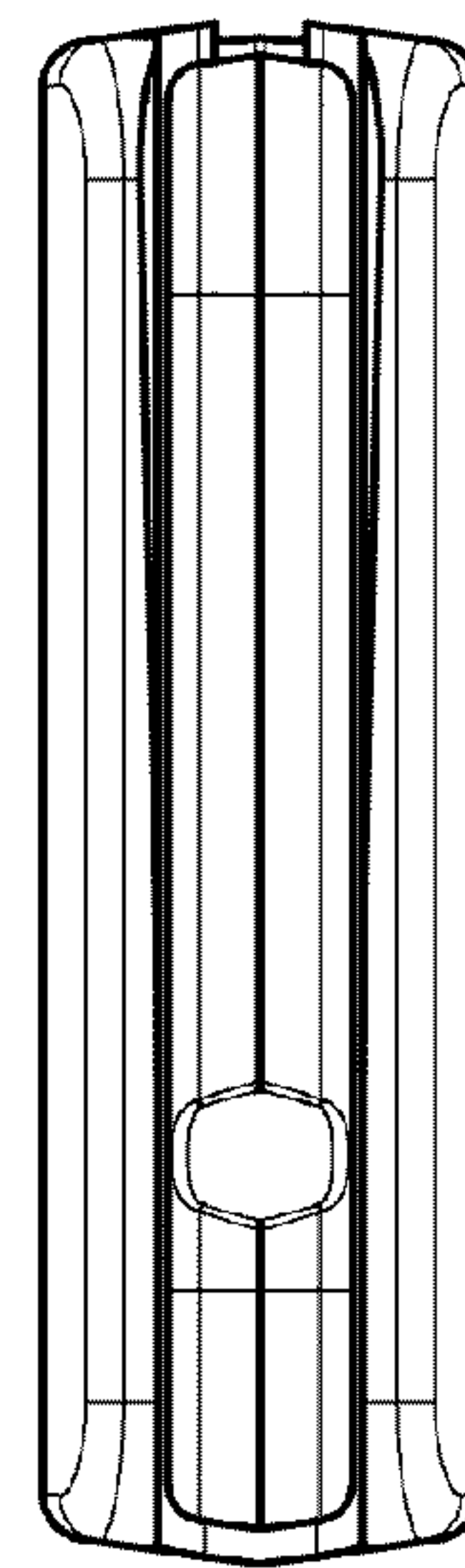
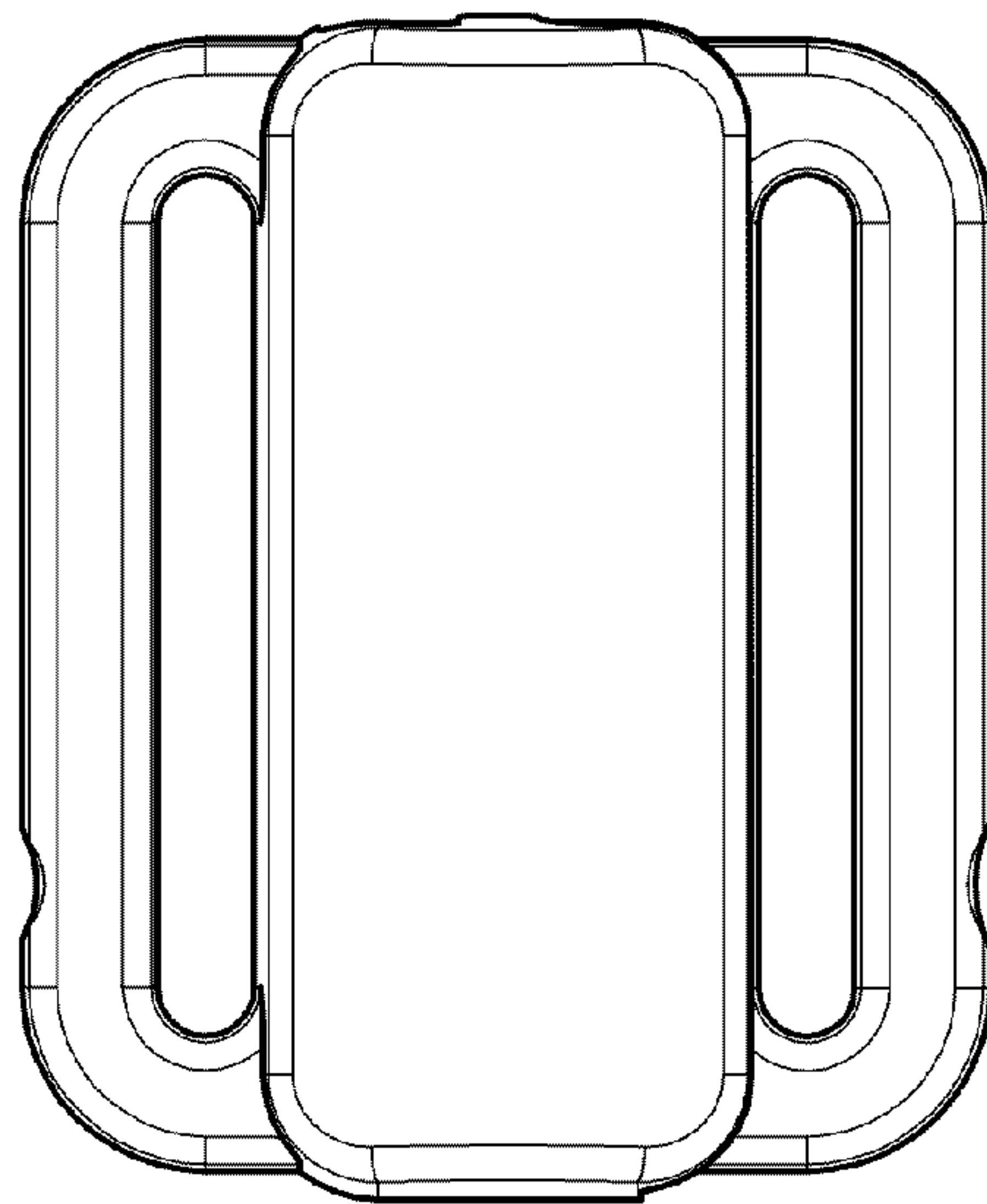
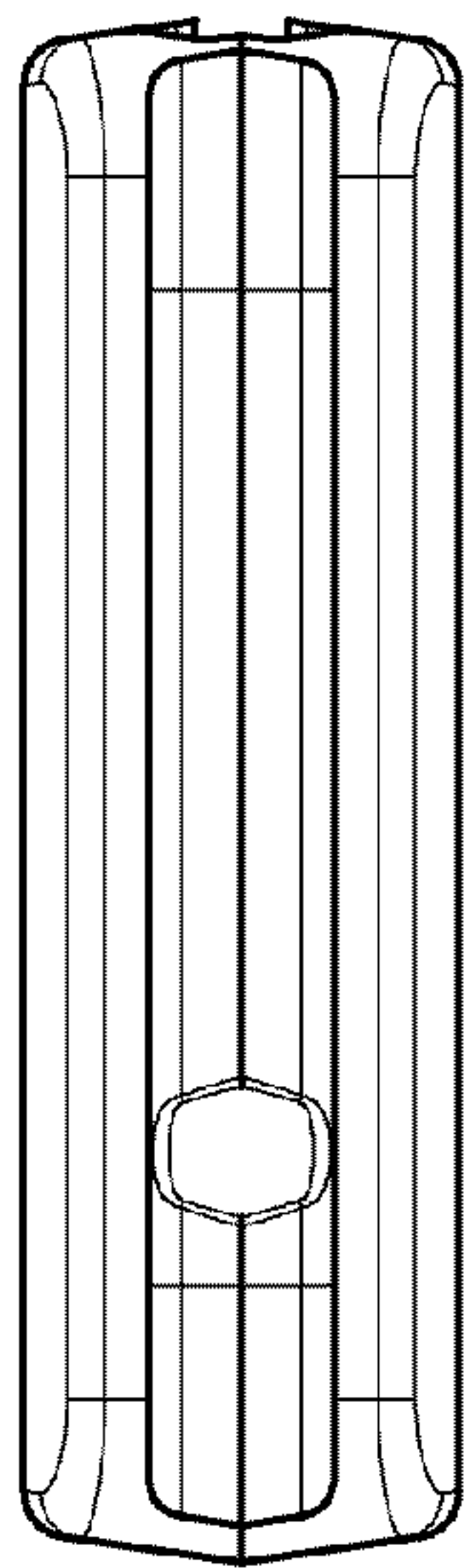
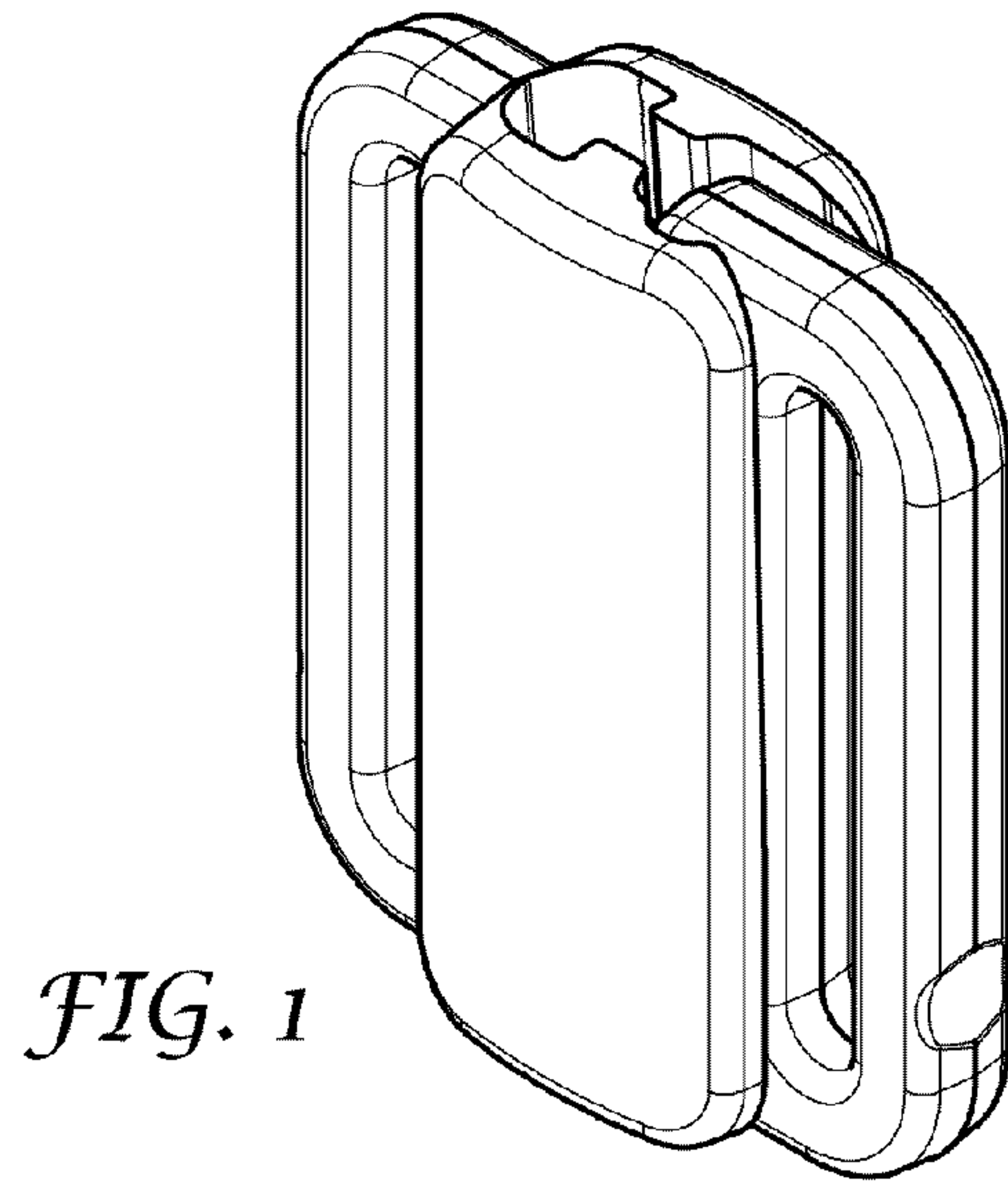
DESCRIPTION

FIG. 1 is a perspective view of a reversible locking garment closure showing our new design in its fully closed position; FIG. 2 is a front elevation view thereof; FIG. 3 is a left side elevation view thereof; FIG. 4 is a right side elevation view thereof; FIG. 5 is a rear elevation view thereof; FIG. 6 is a top plan view thereof; FIG. 7 is a bottom plan view thereof; FIG. 8 is an exploded front elevation view thereof showing the closure in its fully open position; FIG. 9 is a perspective view of the female part thereof shown separately for clarity; and, FIG. 10 is a perspective view of the male part thereof shown separately for clarity.

Our reversible locking garment closure is intended for use with swimwear, brassieres, and the like. The reversible locking garment closure comprises a female part and a male part insertable in the female part to fully close the closure.

1 Claim, 4 Drawing Sheets





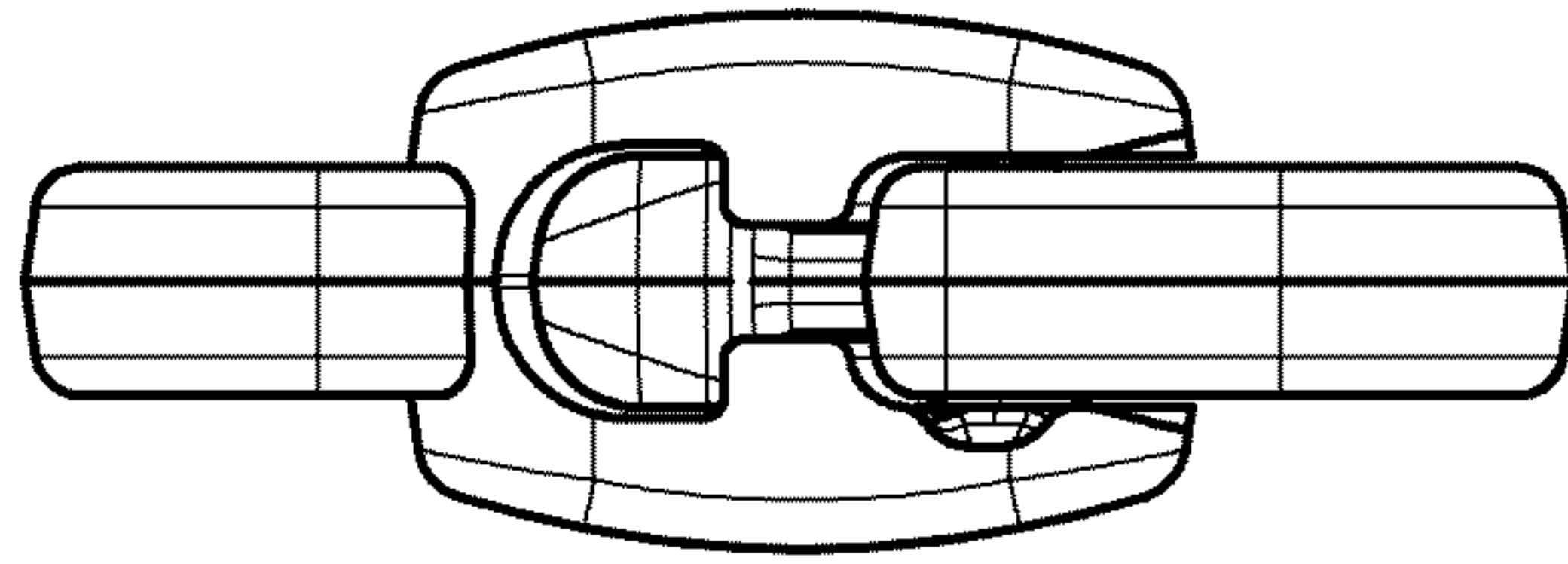


FIG. 6

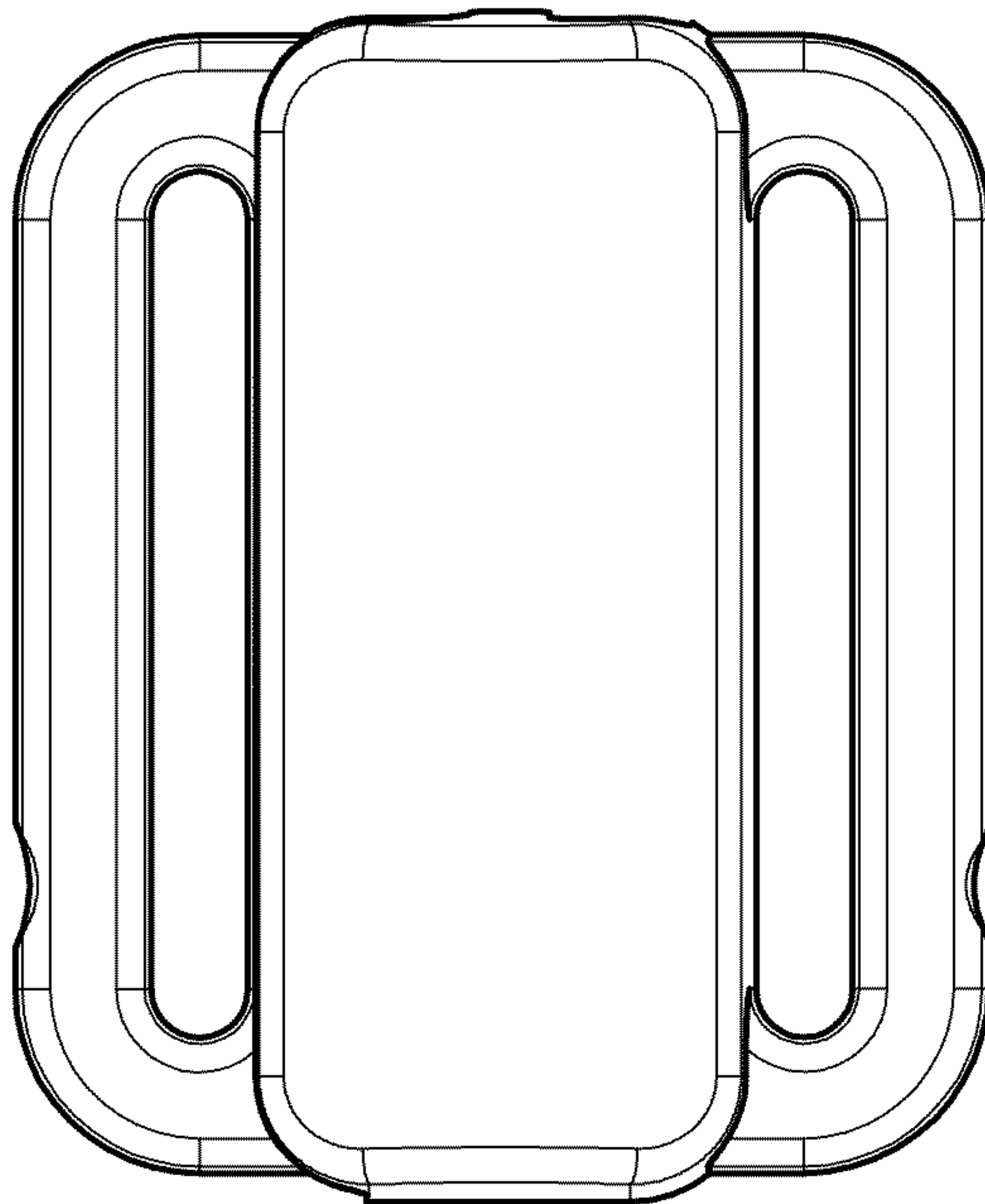


FIG. 5

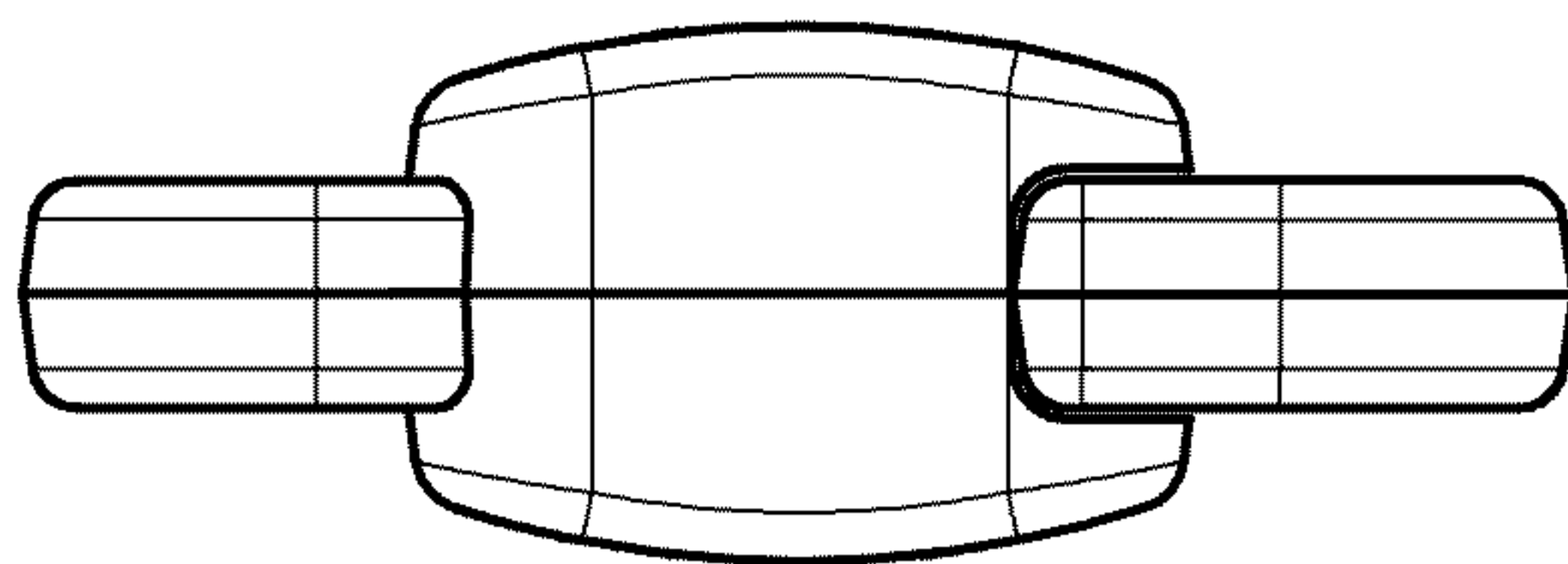


FIG. 7

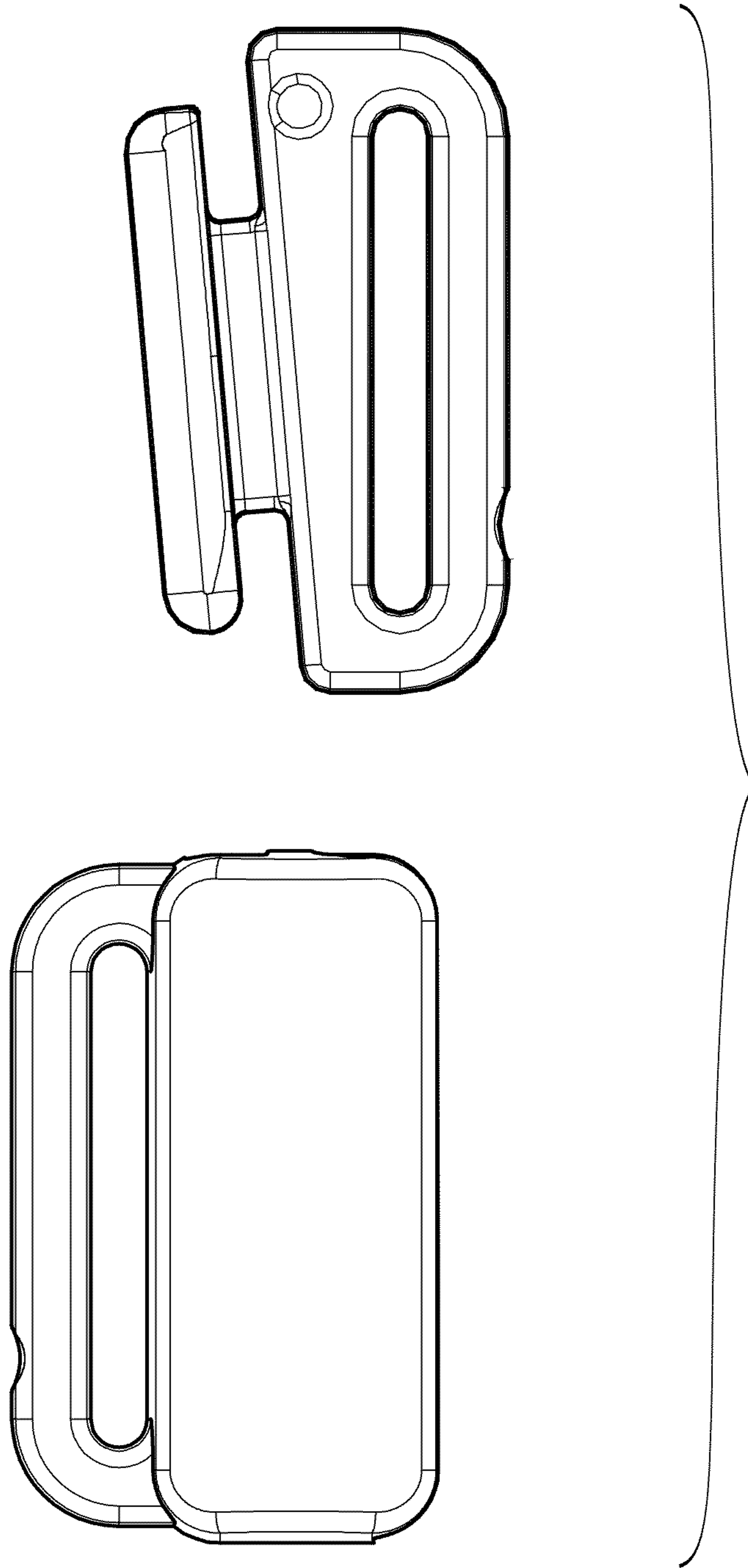


FIG. 8

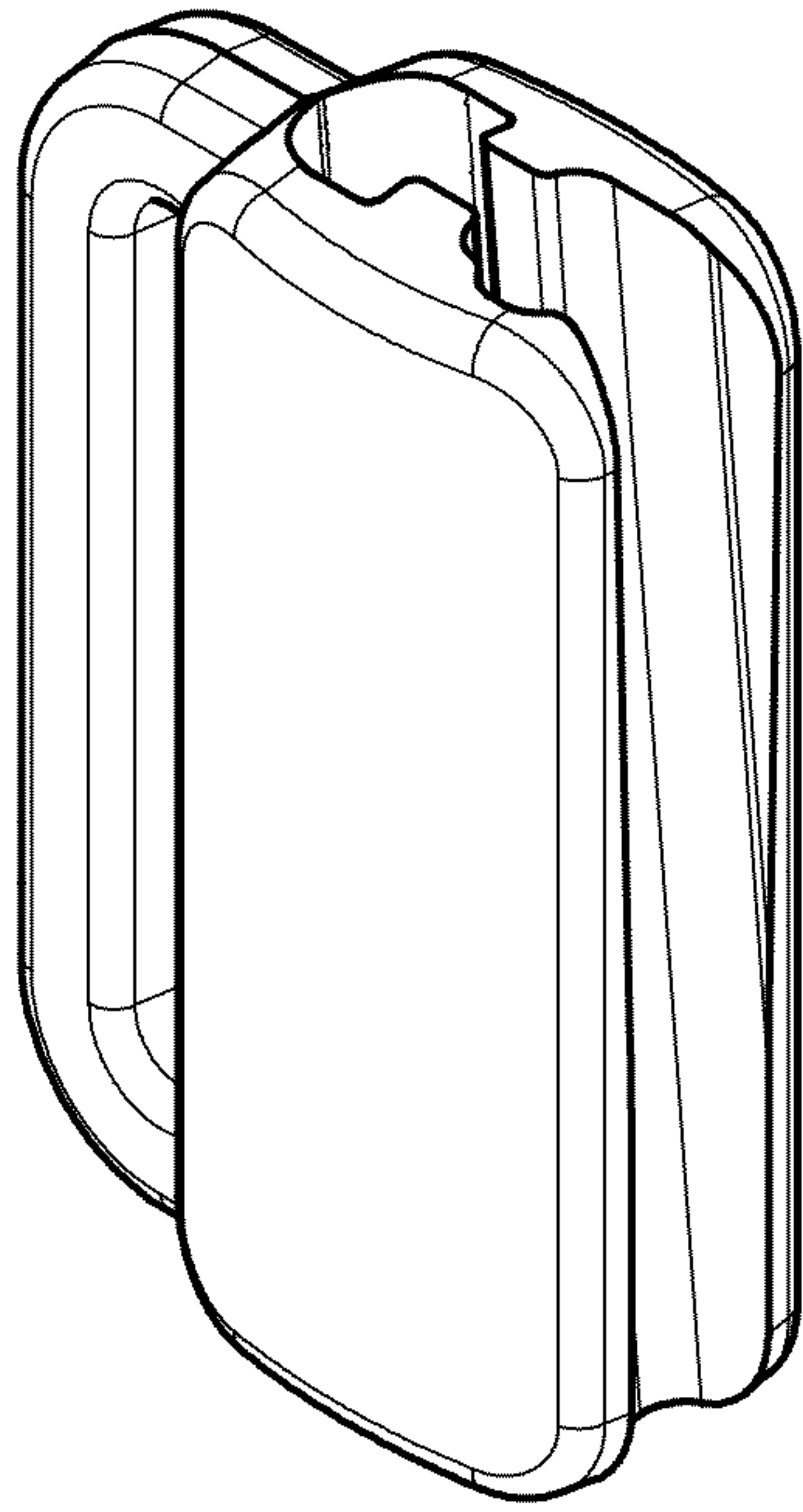


FIG. 9

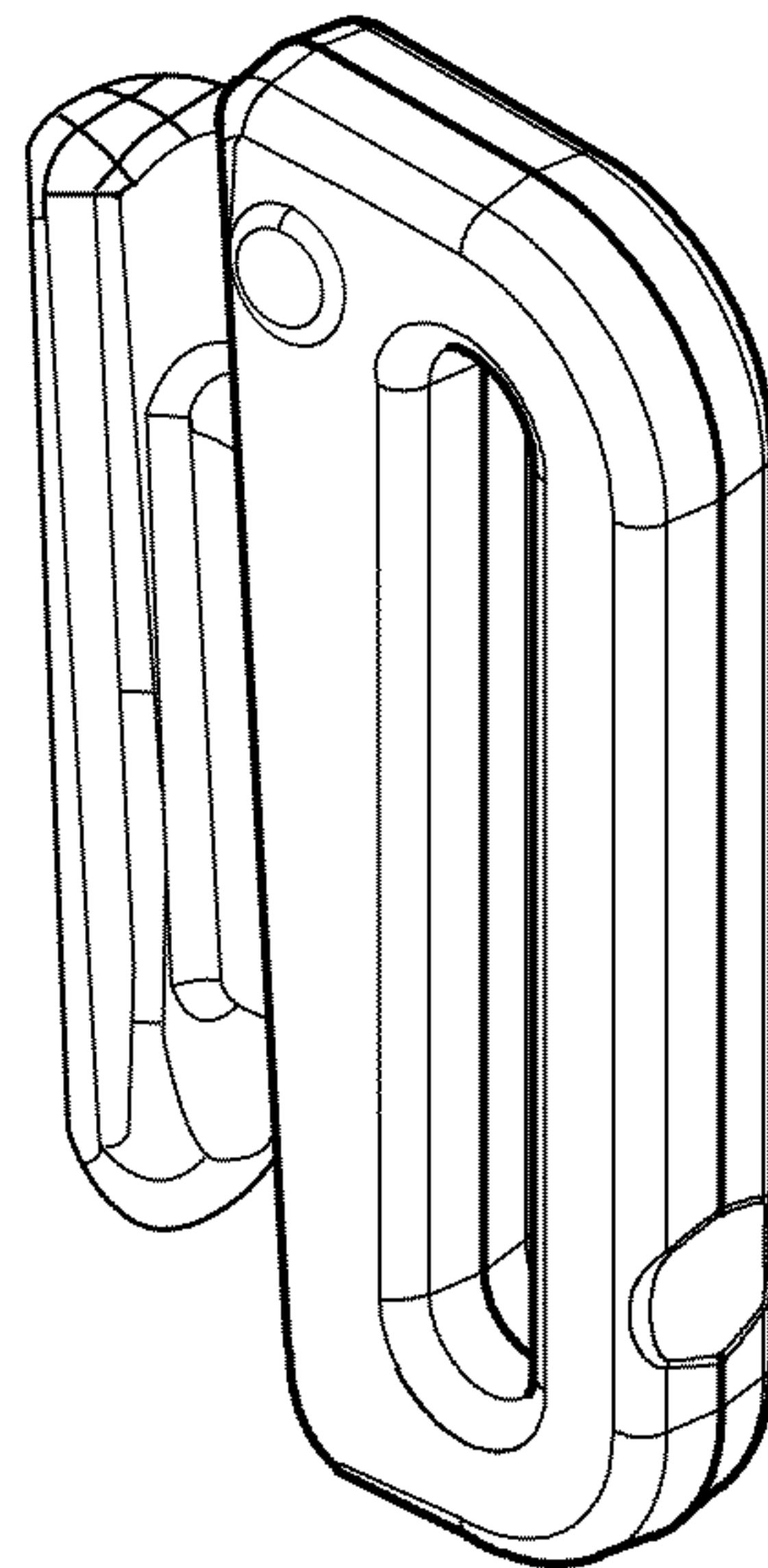


FIG. 10