



US00D740166S

(12) **United States Design Patent**
Glass et al.

(10) **Patent No.:** **US D740,166 S**
(45) **Date of Patent:** **** Oct. 6, 2015**

(54) **BOX TOP HOLDER FOR STORED VALUE CARDS**

(71) Applicant: **Gift Card Impressions, LLC**, Kansas City, MO (US)

(72) Inventors: **Brett R. Glass**, Kansas City, MO (US);
Nicole E. Glass, Kansas City, MO (US)

(73) Assignee: **Gift Card Impressions, LLC**, Kansas City, MO (US)

(**) Term: **14 Years**

(21) Appl. No.: **29/455,237**

(22) Filed: **May 17, 2013**

(51) **LOC (10) Cl.** **11-99**

(52) **U.S. Cl.**
USPC **D11/184**

(58) **Field of Classification Search**
USPC D11/142, 157, 164, 184, 215; D19/3, 4,
D19/6, 24, 75, 100; 220/23.83; 206/457
See application file for complete search history.

(56) **References Cited**

U.S. PATENT DOCUMENTS

D403,356	S	*	12/1998	Canale	D19/88
D491,603	S	*	6/2004	Warkentin	D19/2
D544,914	S	*	6/2007	Blagrove	D19/2
D635,193	S	*	3/2011	Renteria	D20/27
D705,655	S	*	5/2014	Glass et al.	D9/457
D706,632	S	*	6/2014	Glass et al.	D9/457
D710,700	S	*	8/2014	Glass et al.	D9/455
D728,683	S	*	5/2015	Glass et al.	D19/3
D729,313	S	*	5/2015	Glass et al.	D19/3
D730,742	S	*	6/2015	Glass et al.	D9/635
2013/0220875	A1	*	8/2013	Glass et al.	206/736
2014/0231278	A1	*	8/2014	Glass et al.	206/39
2014/0339228	A1	*	11/2014	Glass et al.	220/23.83

* cited by examiner

Primary Examiner — Eric Goodman
Assistant Examiner — Amy Wierenga

(74) *Attorney, Agent, or Firm* — Polsinelli PC

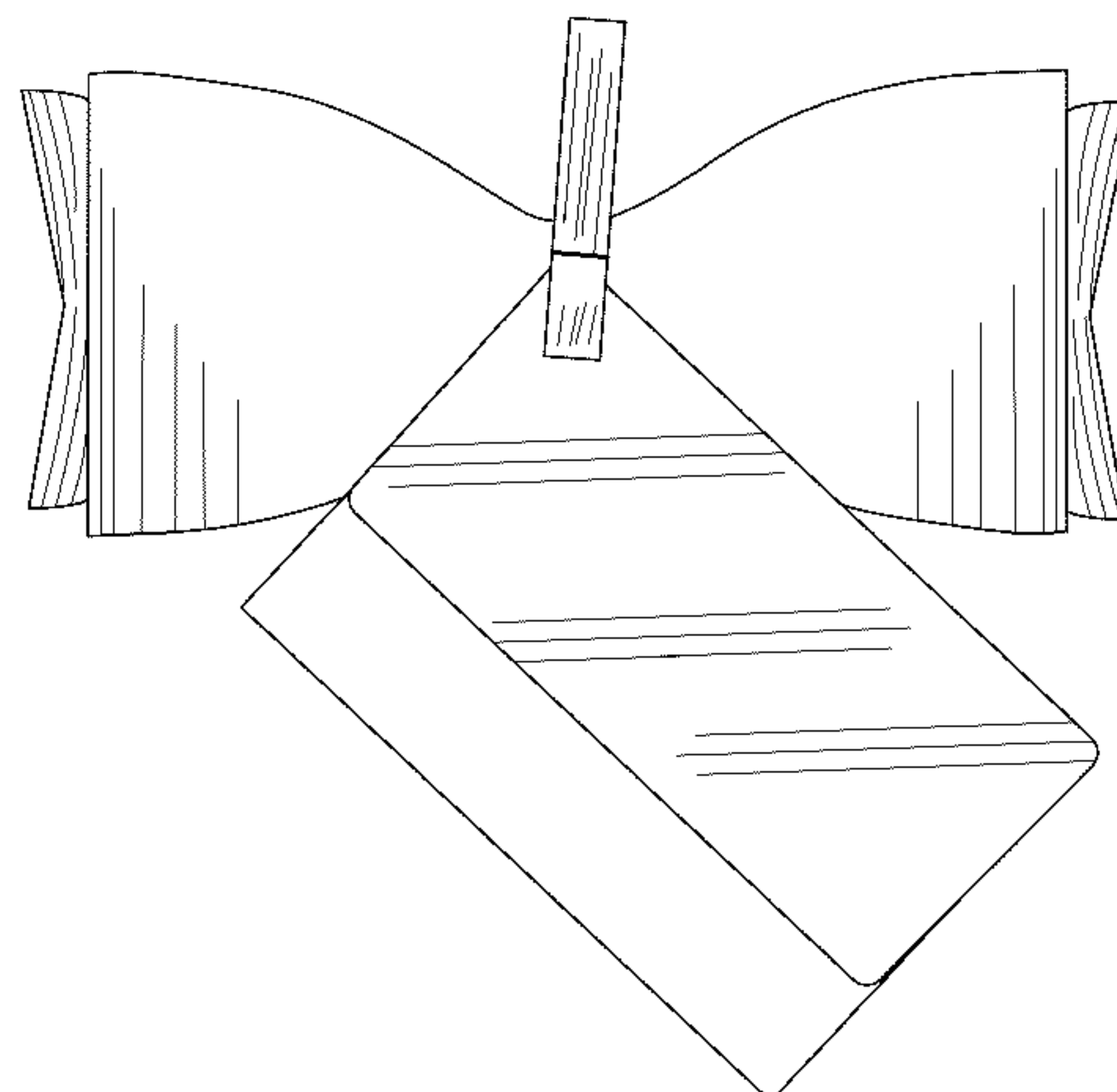
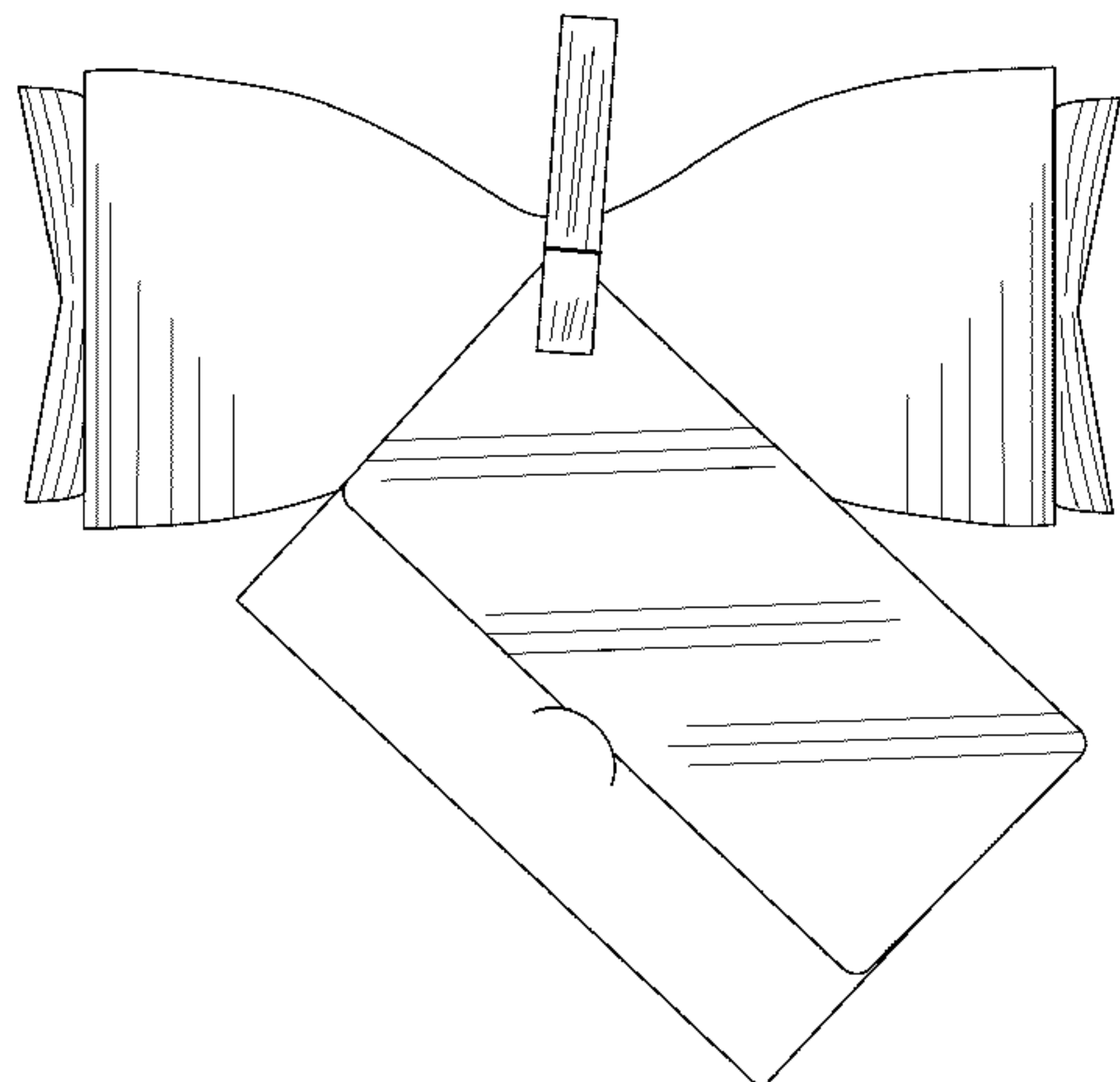
(57) **CLAIM**

The ornamental design for a box top holder for stored value cards, as shown and described.

DESCRIPTION

FIG. 1 is a front plan view of the first box top holder for stored value cards in a closed configuration;
 FIG. 2 is a rear plan view of the first box top holder for stored value cards in a closed configuration;
 FIG. 3 is a top view of the first box top holder for stored value cards in a closed configuration;
 FIG. 4 is a bottom view of the first box top holder for stored value cards in a closed configuration;
 FIG. 5 is a first side view of the first box top holder for stored value cards in a closed configuration;
 FIG. 6 is a second side view of the first box top holder for stored value cards in a closed configuration;
 FIG. 7 is a front plan view of the first box top holder for stored value cards in an open configuration;
 FIG. 8 is a top view of the first box top holder for stored value cards in an open configuration;
 FIG. 9 is a bottom view of the first box top holder for stored value cards in an open configuration;
 FIG. 10 is a first side view of the first box top holder for stored value cards in an open configuration;
 FIG. 11 is a second side view of the first box top holder for stored value cards in an open configuration;
 FIG. 12 is a rear plan view of the first box top holder for stored value cards in an open configuration;
 FIG. 13 is a front plan view of a second box top holder for stored value cards in a closed configuration; and,
 FIG. 14 is a front plan view of the second box top holder for stored value cards in an open configuration.
 The box top holder of FIG. 13 has the same rear, top, bottom, first side, and second side view as shown in FIGS. 2-6, respectively.
 The box top holder of FIG. 14 has the same top, bottom, first side, second side, and rear view as shown in FIGS. 8-12, respectively.
 The broken lines in the drawings depict portions of the article only and form no part of the claimed design.

1 Claim, 9 Drawing Sheets



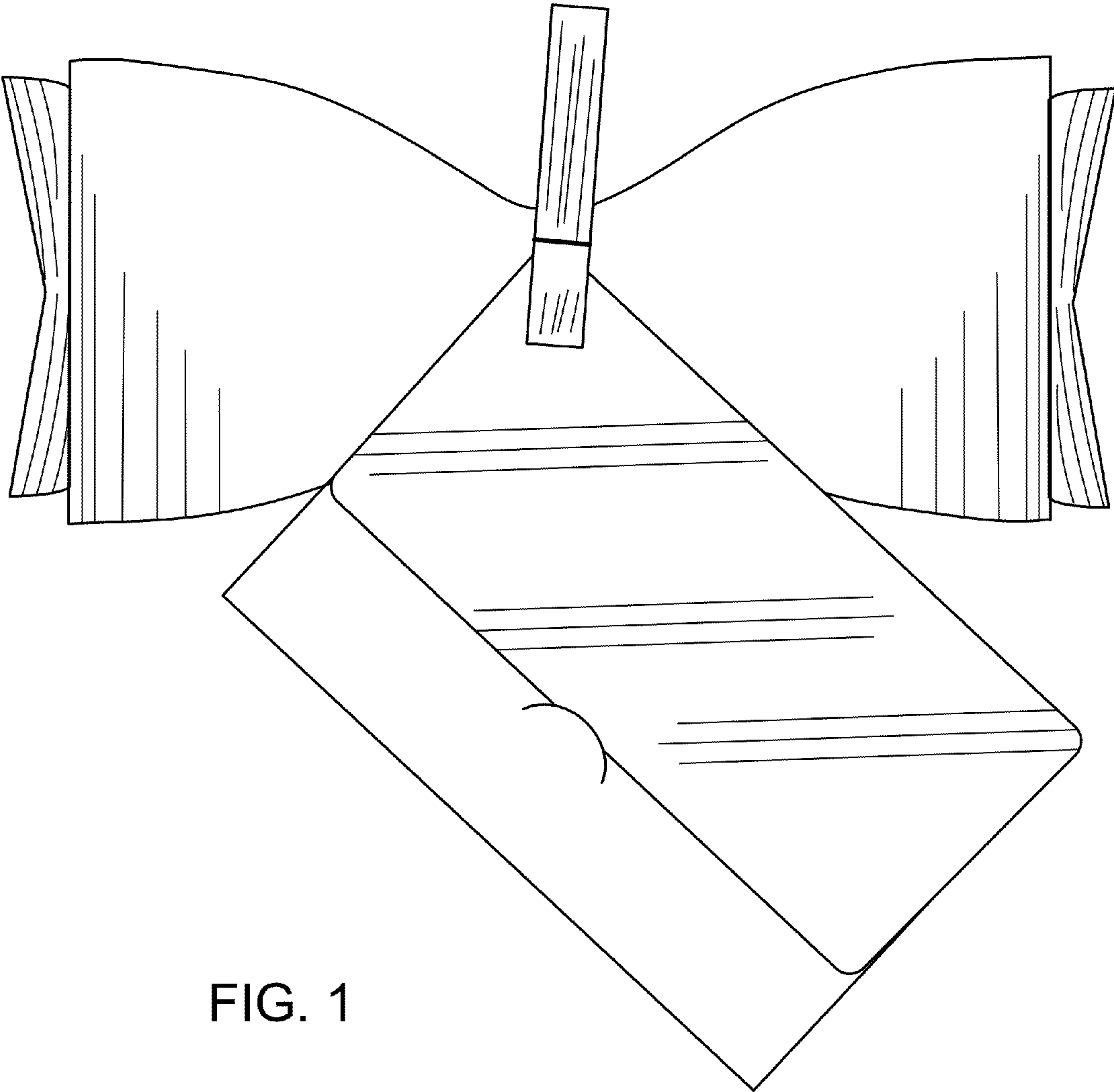


FIG. 1

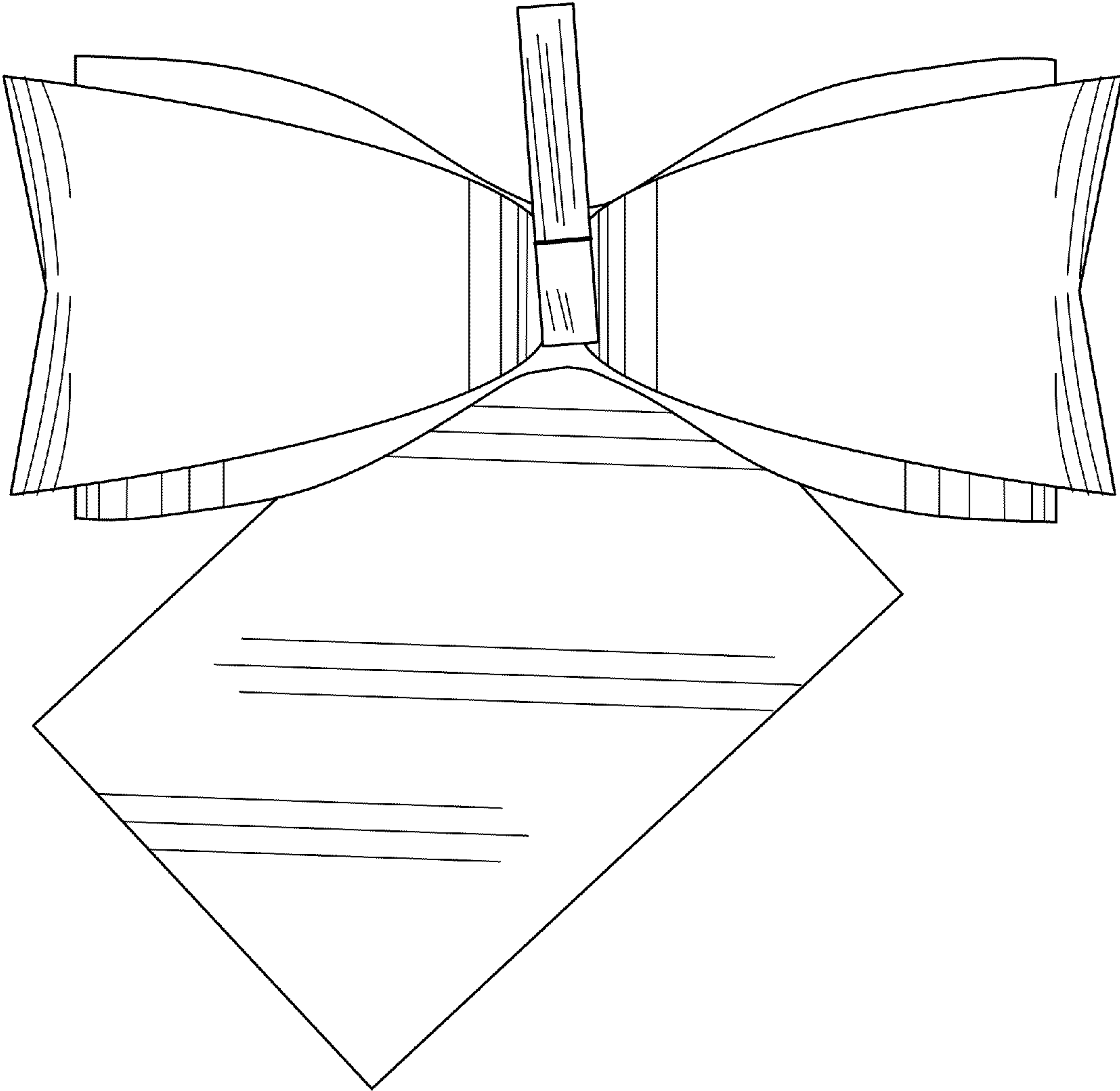


FIG. 2

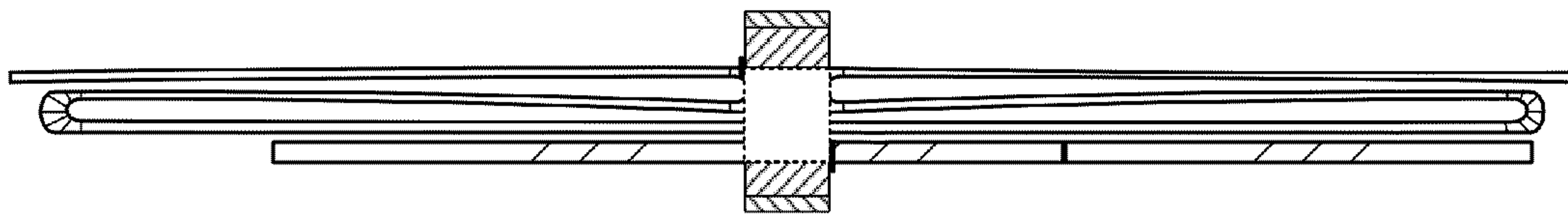


FIG. 3

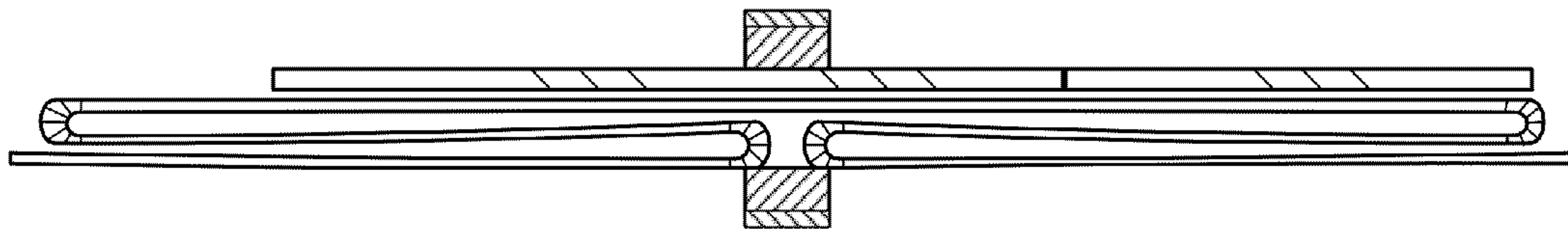


FIG. 4

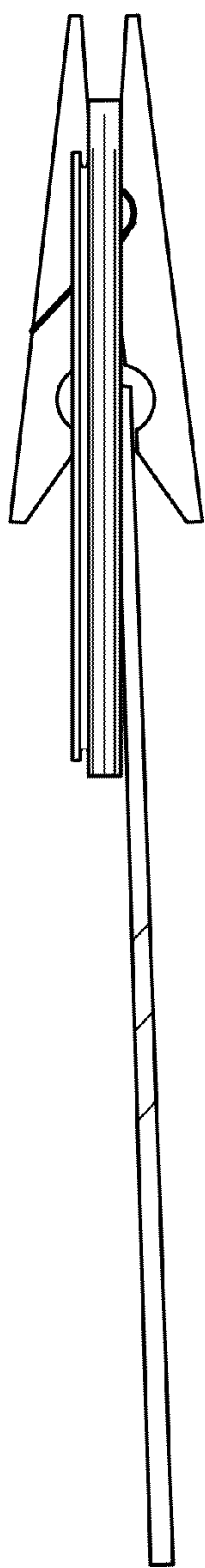


FIG. 5

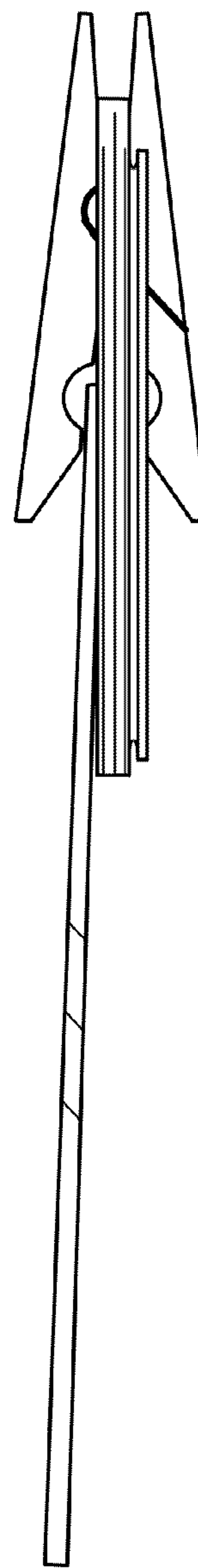


FIG. 6

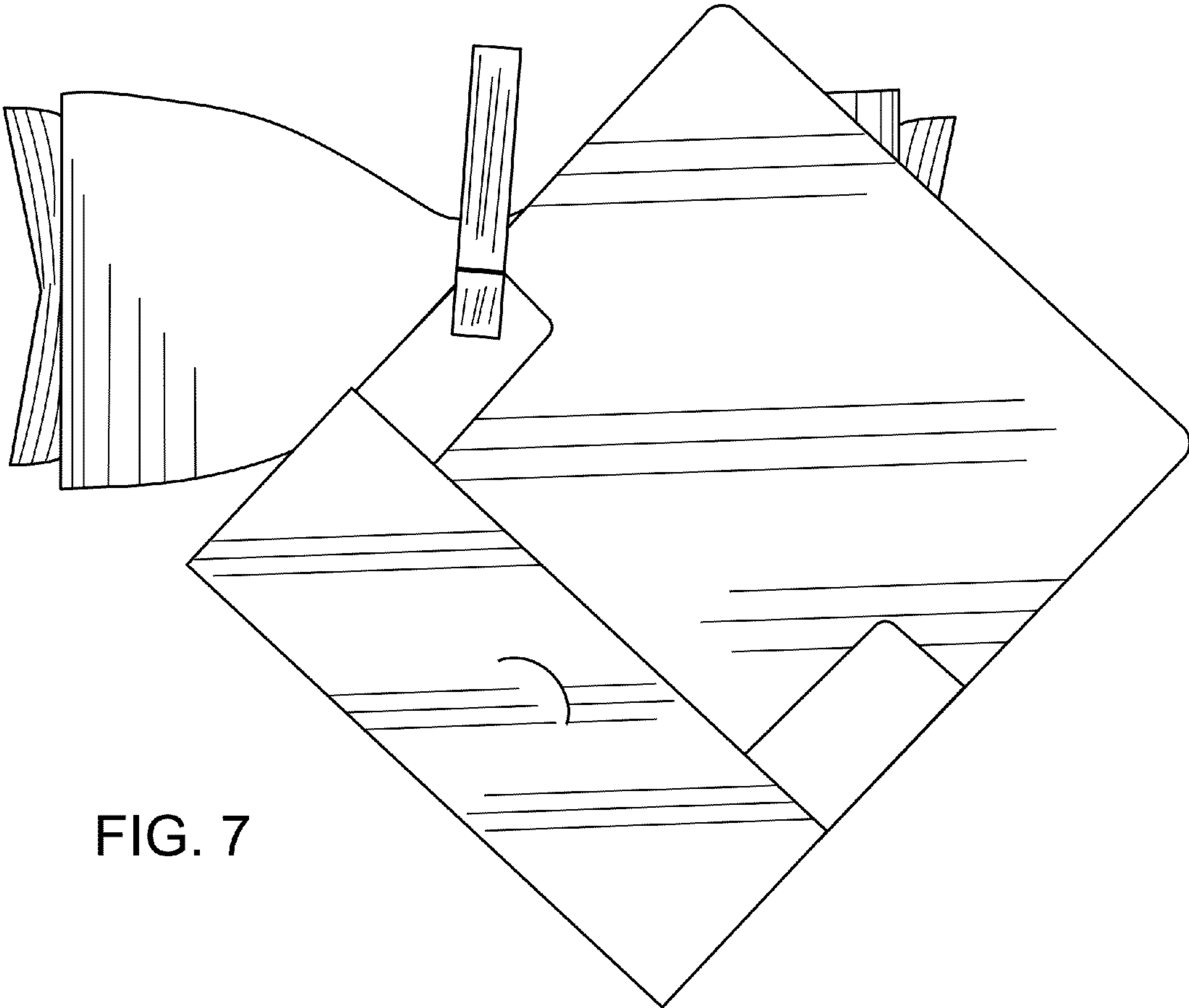


FIG. 7

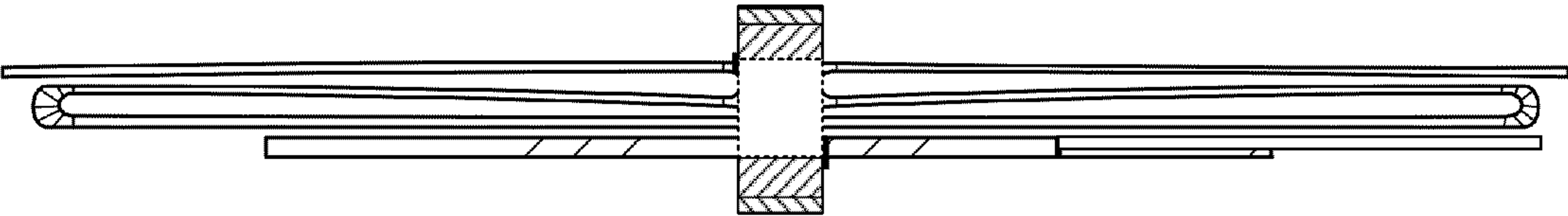


FIG. 8

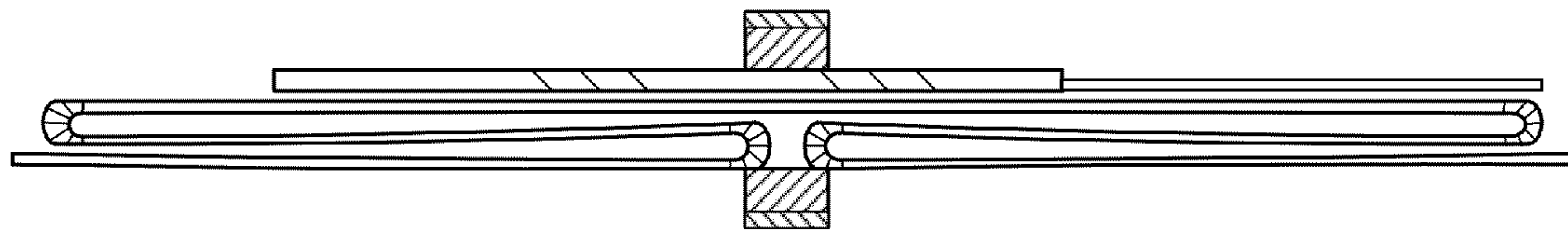


FIG. 9

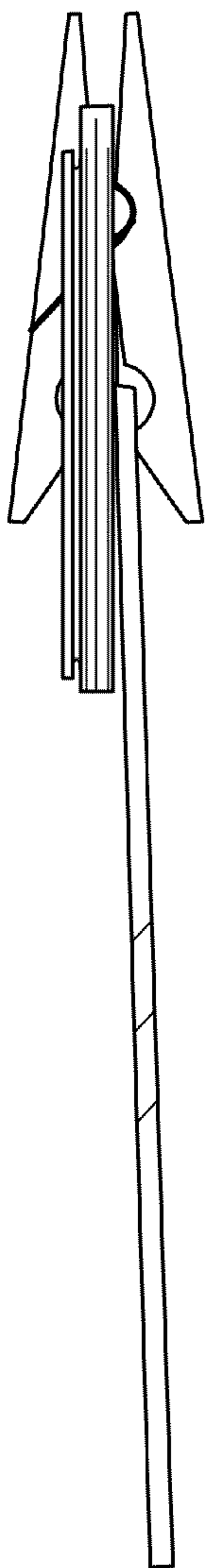


FIG. 10

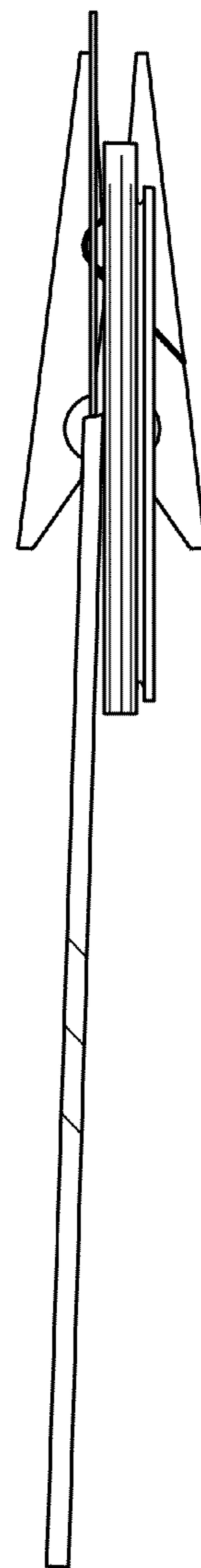


FIG. 11

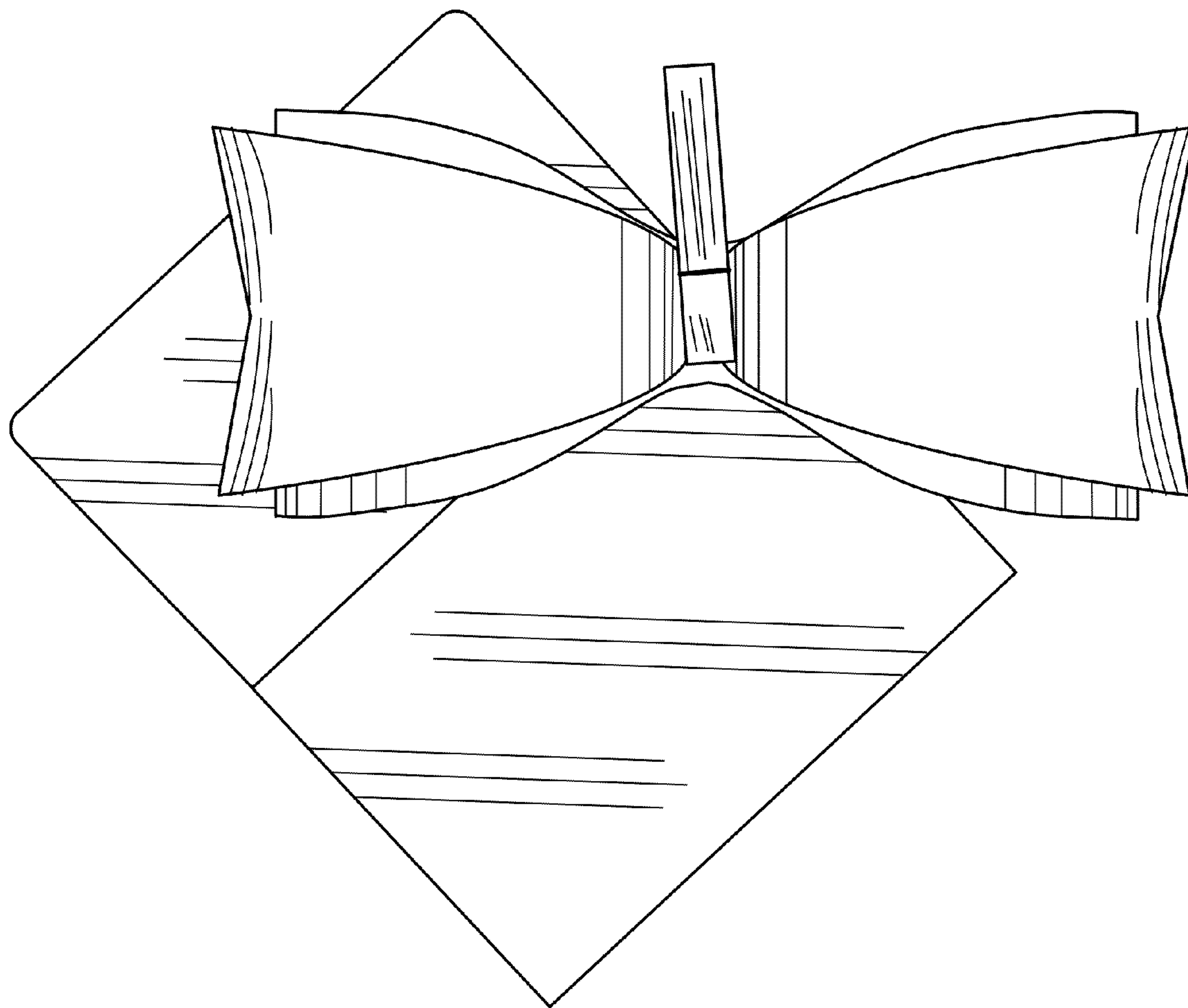


FIG. 12

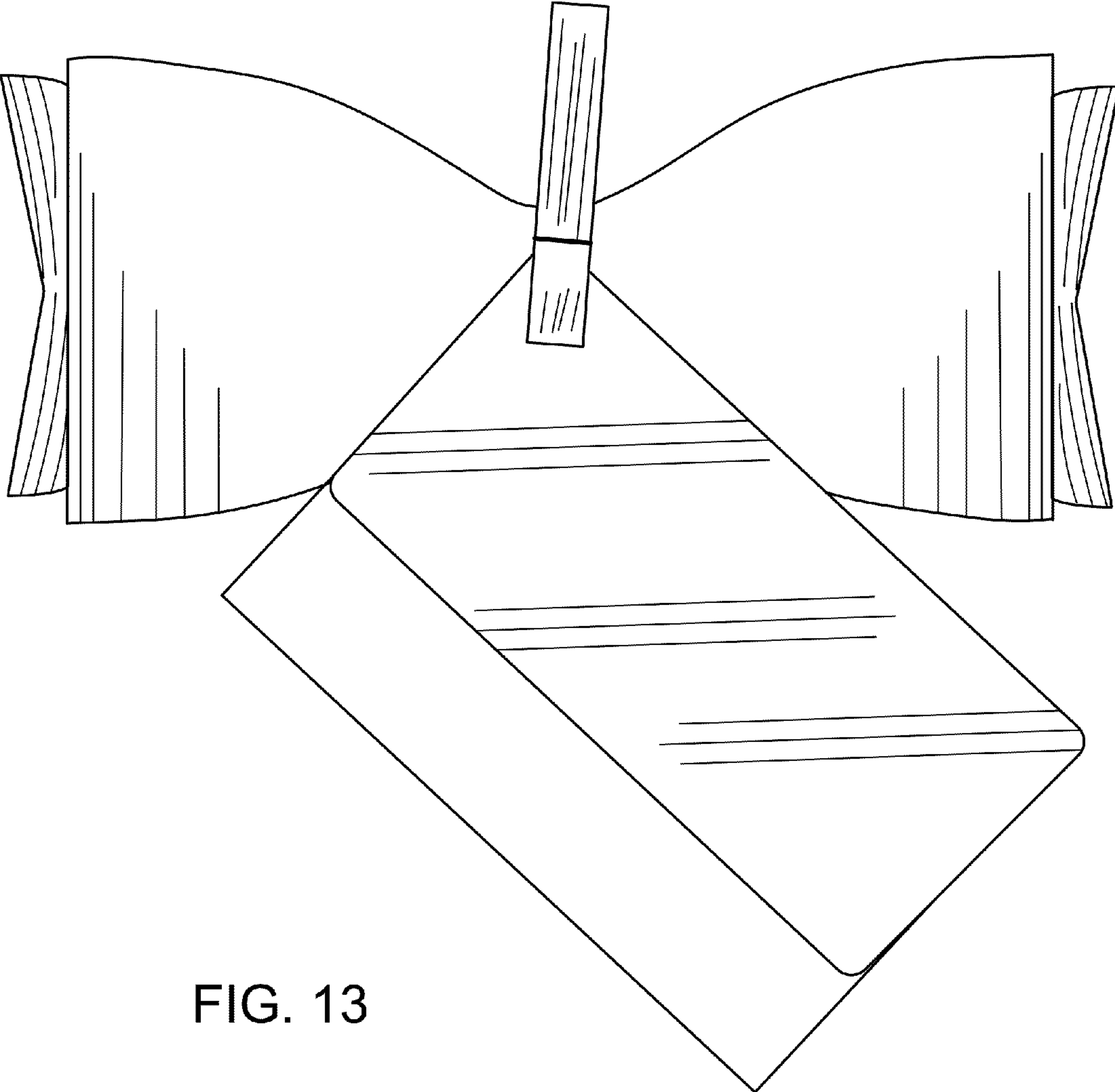


FIG. 13

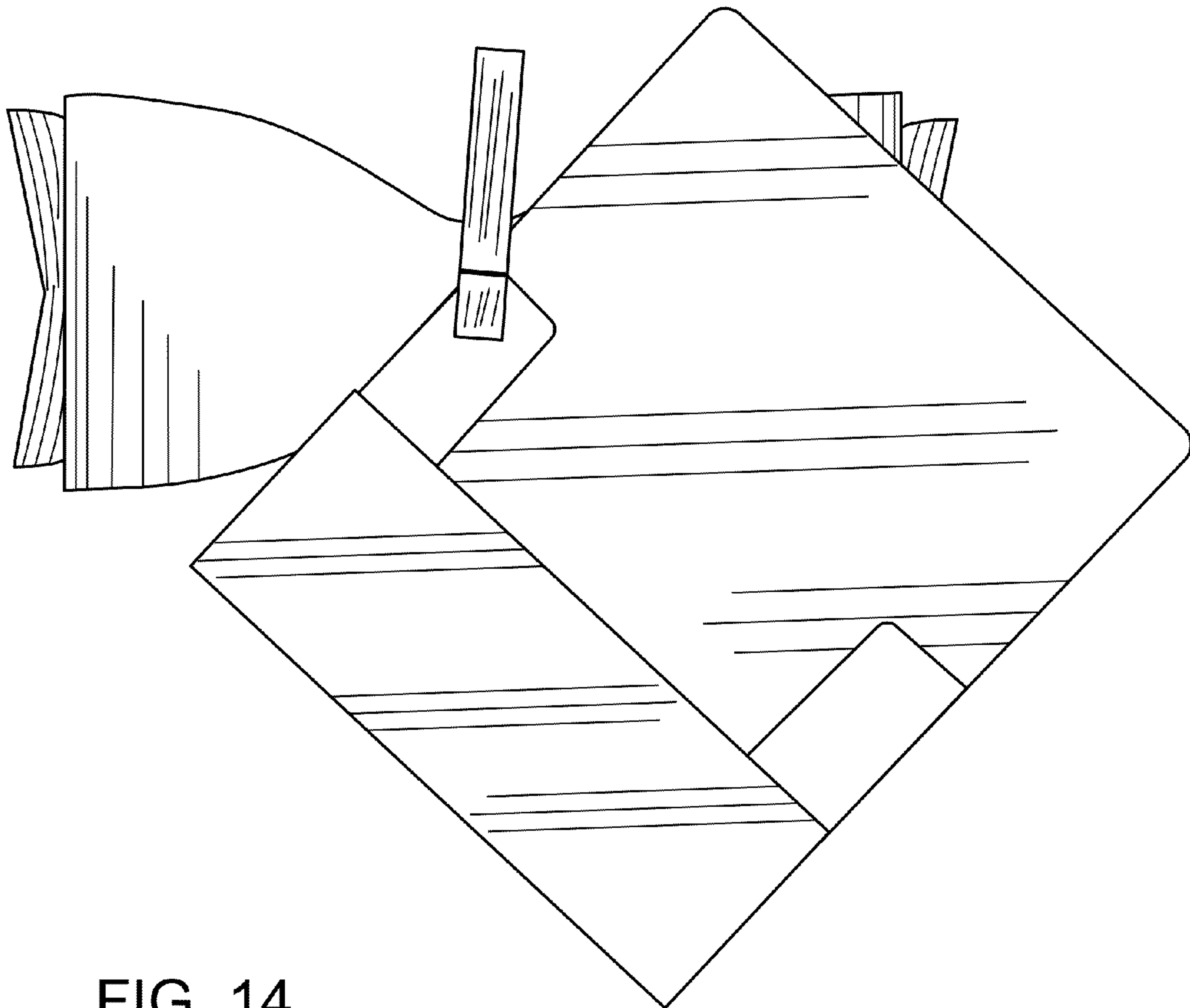


FIG. 14