



US00D740159S

(12) **United States Design Patent**
Cerrato

(10) **Patent No.:** **US D740,159 S**
(45) **Date of Patent:** **** Oct. 6, 2015**

(54) **GRADUATE SCALE OF WATCH BRACELET CLASP**

(71) Applicant: **TUDOR WATCH U.S.A., LLC**, New York, NY (US)

(72) Inventor: **Davide Cerrato**, Geneva (CH)

(73) Assignee: **TUDOR WATCH U.S.A., LLC**, New York, NY (US)

(**) Term: **14 Years**

(21) Appl. No.: **29/496,819**

(22) Filed: **Jul. 17, 2014**

3,475,902 A	11/1969	Wessel	
D295,841 S	5/1988	Kano	
D306,981 S	4/1990	Bettelini	
D337,588 S *	7/1993	Cruz et al.	D14/218
D338,160 S	8/1993	Houlihan	
D353,340 S	12/1994	Burgener	
D356,040 S	3/1995	Bulgari	
5,418,760 A *	5/1995	Kawashima et al.	368/69
D377,613 S	1/1997	Consolo	
D391,871 S	3/1998	Brzezinski	
D393,807 S *	4/1998	Houlihan et al.	D10/32
D404,676 S *	1/1999	Sayama	D11/5
D420,598 S	2/2000	Wagenheim	
6,035,035 A *	3/2000	Firooz	379/433.1
D449,231 S	10/2001	Giardiello	
D453,299 S	2/2002	Bach et al.	
D466,488 S *	12/2002	Wada et al.	D14/138 R

(Continued)

Related U.S. Application Data

(62) Division of application No. 29/429,526, filed on Aug. 13, 2012.

Foreign Application Priority Data

Feb. 14, 2012 (CH) 138685

(51) **LOC (10) Cl.** **11-01**

(52) **U.S. Cl.**
USPC **D11/94**

(58) **Field of Classification Search**
USPC D11/1-25, 32, 93, 94; 59/78, 79.2;
63/1.11, 3, 3.1, 3.2, 5.1, 5.2, 7-11;
224/175; D10/30-32
CPC A44C 5/02-5/246
See application file for complete search history.

References Cited

U.S. PATENT DOCUMENTS

1,626,160 A	4/1927	Schwalberg
2,420,435 A	5/1947	Lackow
2,481,865 A	9/1949	Penfold
D195,421 S	6/1963	Huguenin

Primary Examiner — Zenia Bennett

(74) *Attorney, Agent, or Firm* — Sughrue Mion, PLLC

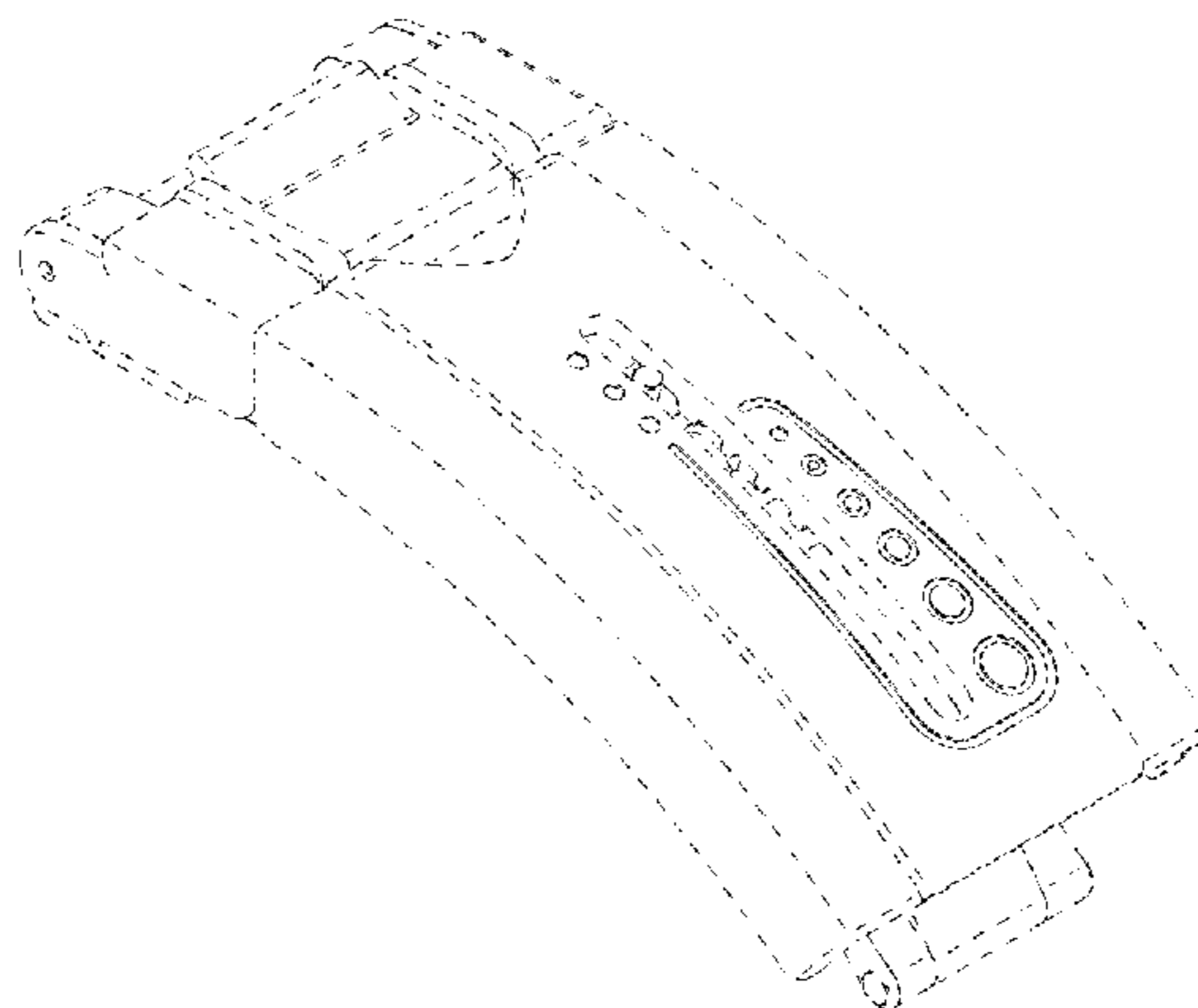
(57) **CLAIM**

The ornamental design for a graduate scale of watch bracelet clasp, as shown and described.

DESCRIPTION

FIG. 1 is a front view of a graduate scale of watch bracelet clasp showing my new design;
FIG. 2 is a rear view thereof, in which the graduate scale is not visible;
FIG. 3 is a left side view thereof, in which the graduate scale is not visible;
FIG. 4 is a right side view thereof, in which the graduate scale is not visible;
FIG. 5 is a top view thereof, in which the graduate scale is not visible;
FIG. 6 is a bottom view thereof; and,
FIG. 7 is a perspective view thereof.
Broken lines in the drawing figures are used to show portions of the watch bracelet clasp which are not being claimed and thus form no part of the claimed design.

1 Claim, 3 Drawing Sheets



(56)

References Cited

U.S. PATENT DOCUMENTS

D519,855 S	5/2006	Tonohori			
D521,879 S	5/2006	Tonohori			
D534,084 S	12/2006	Linde			
D539,774 S	* 4/2007	Crockett	D14/138 AD	* cited by examiner
7,209,114 B2	* 4/2007	Radley-Smith	345/156	
D565,427 S	* 4/2008	Ellner et al.	D10/31	
7,398,114 B2	* 7/2008	Gartrell	455/575.8	
D595,254 S	* 6/2009	Roberts	D14/138 AA	
D695,144 S	12/2013	Calvani			
D716,247 S	* 10/2014	Yun et al.	D14/138 R	

FIG. 1

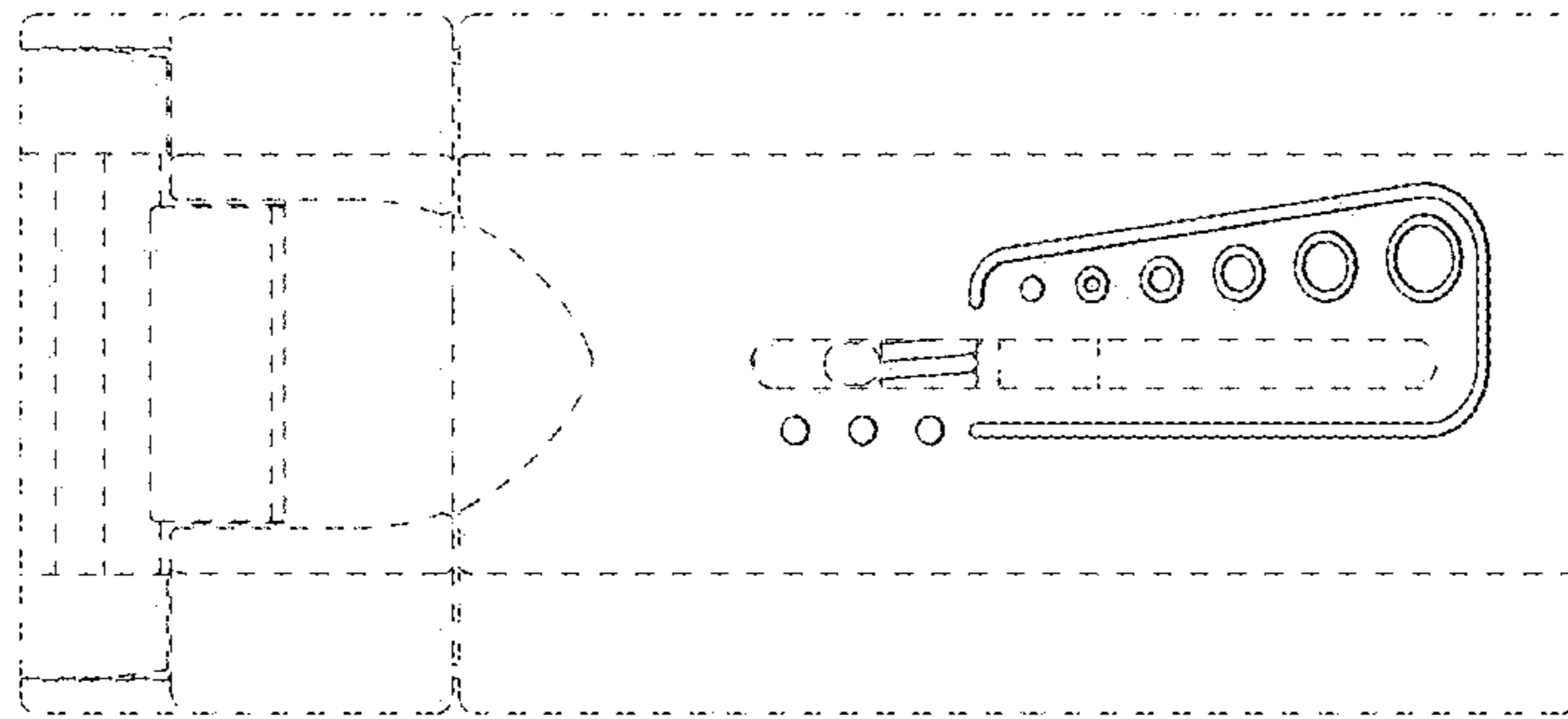


FIG. 2

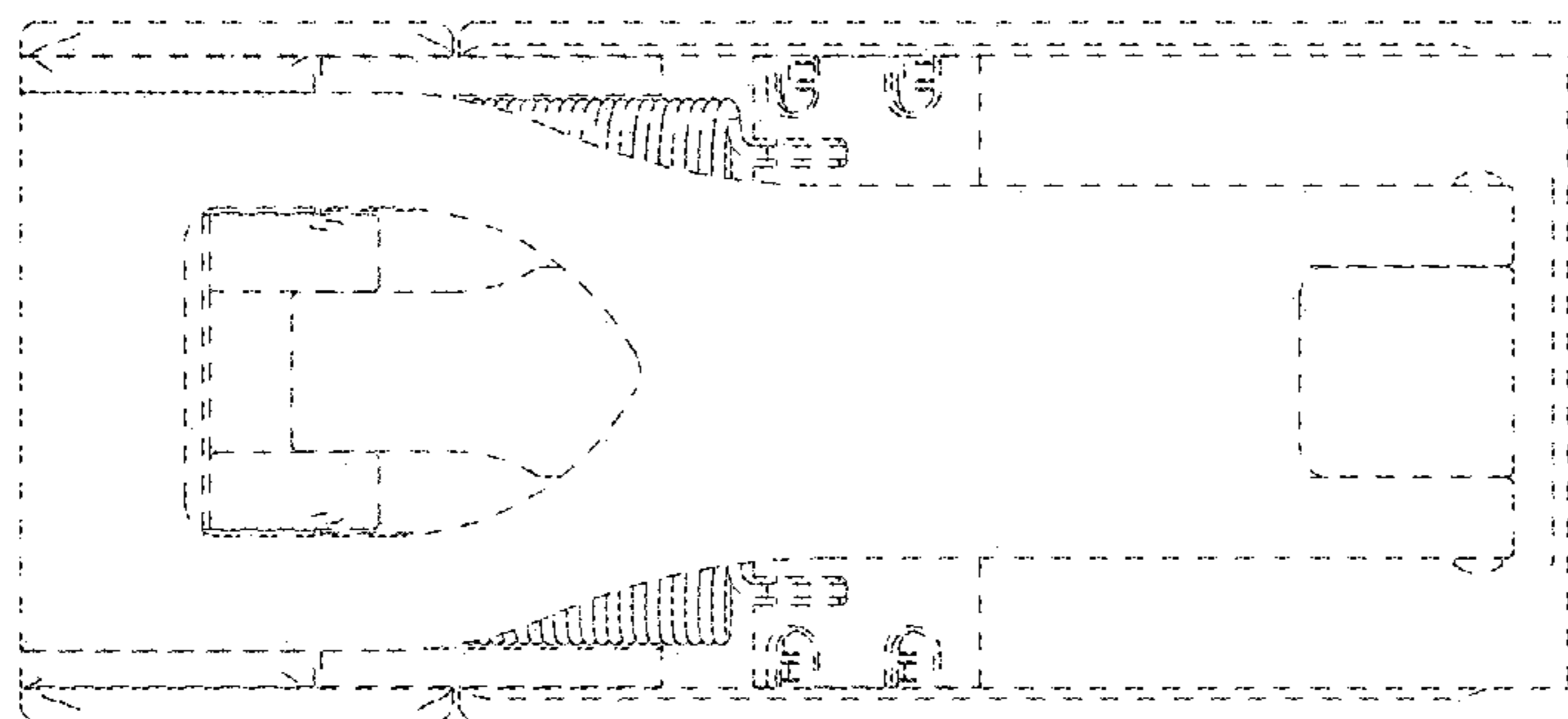


FIG. 3

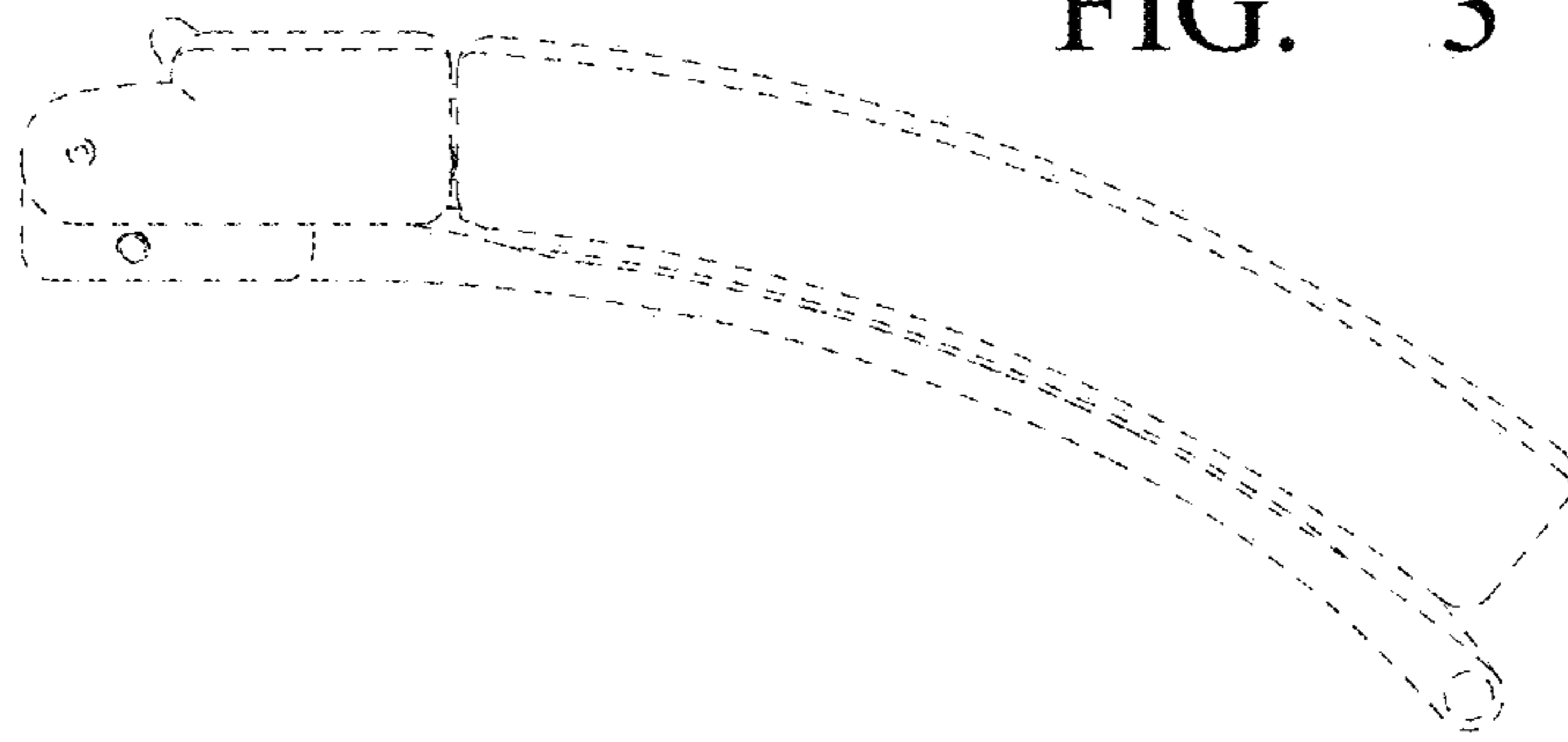


FIG. 4

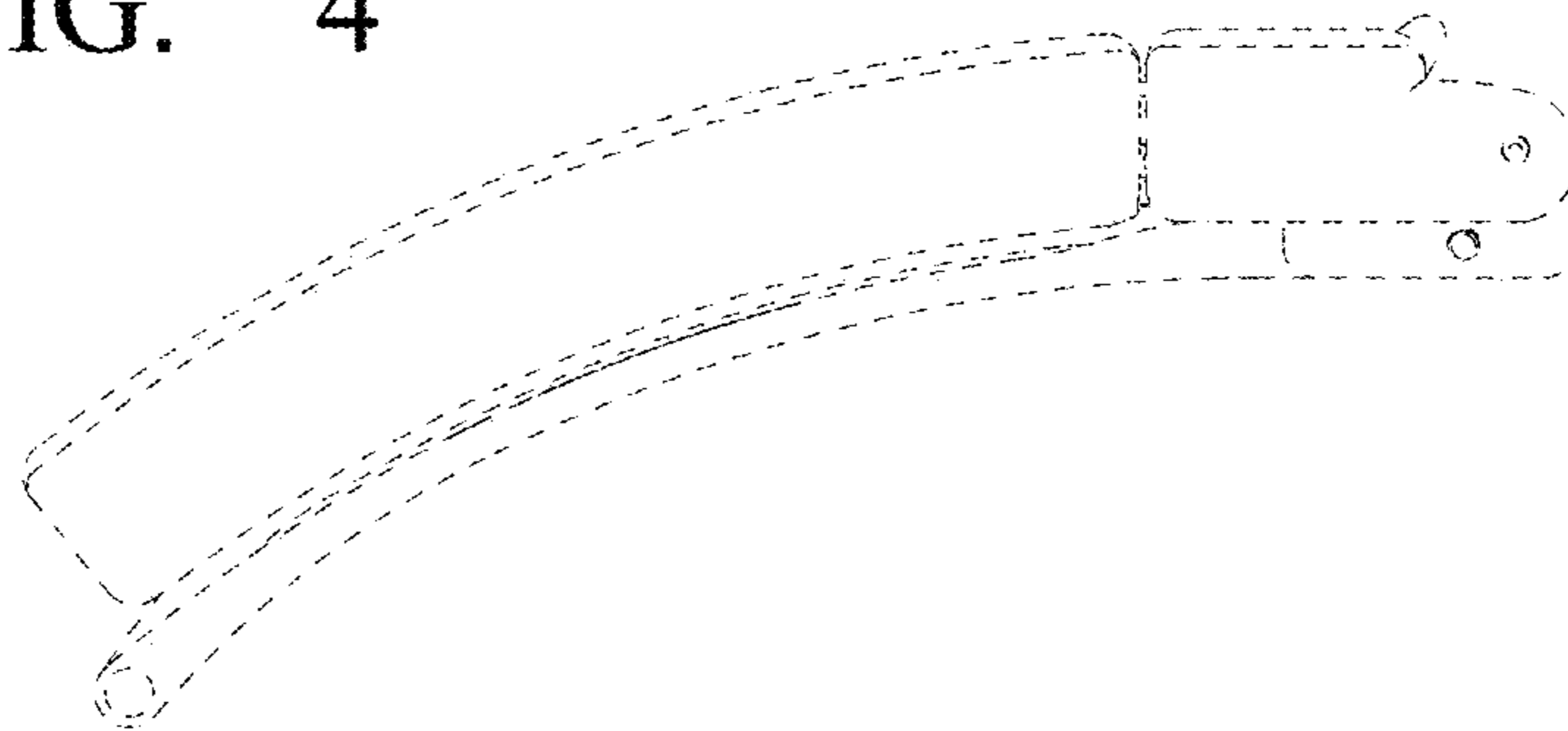


FIG. 5

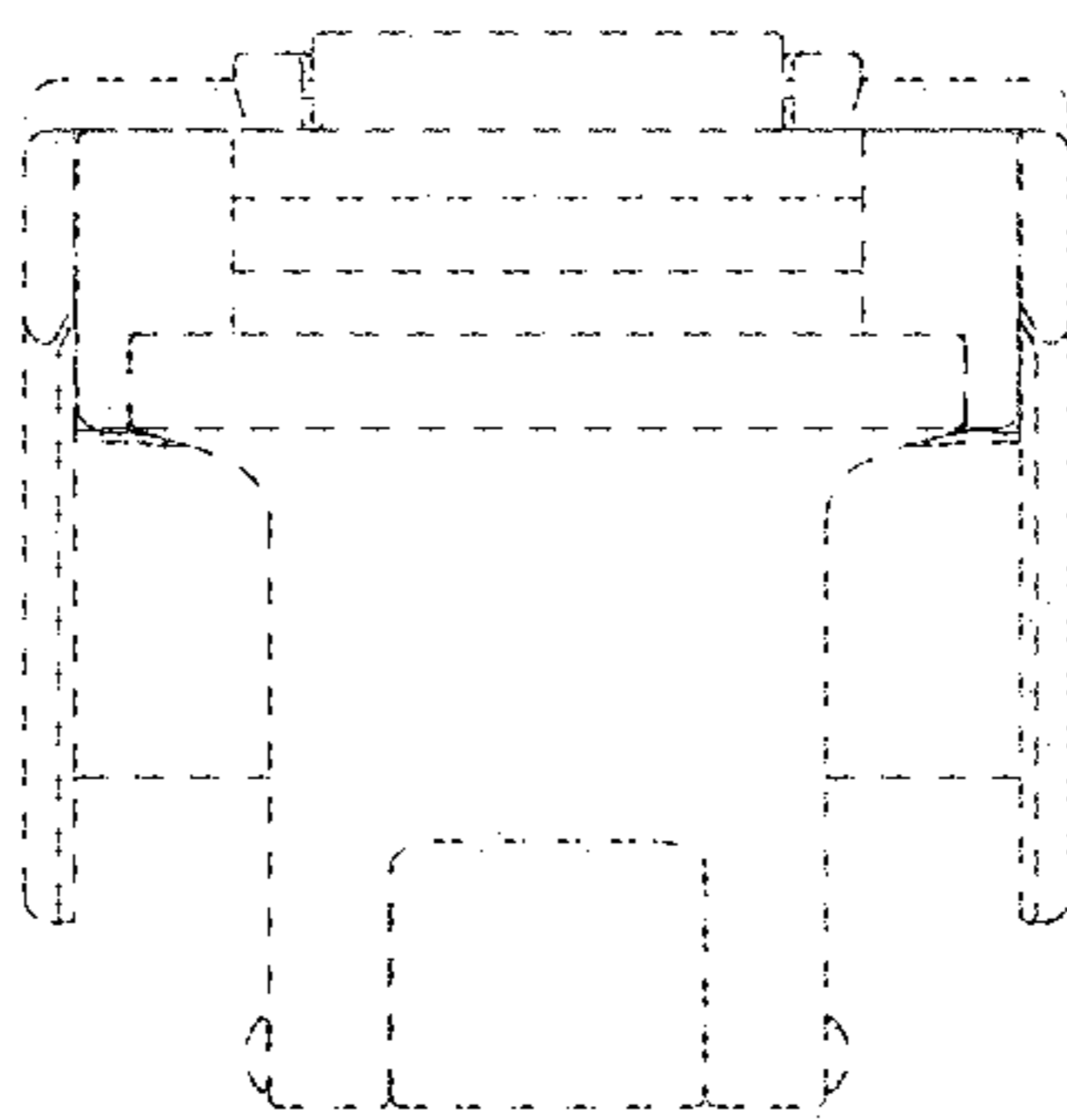


FIG. 6

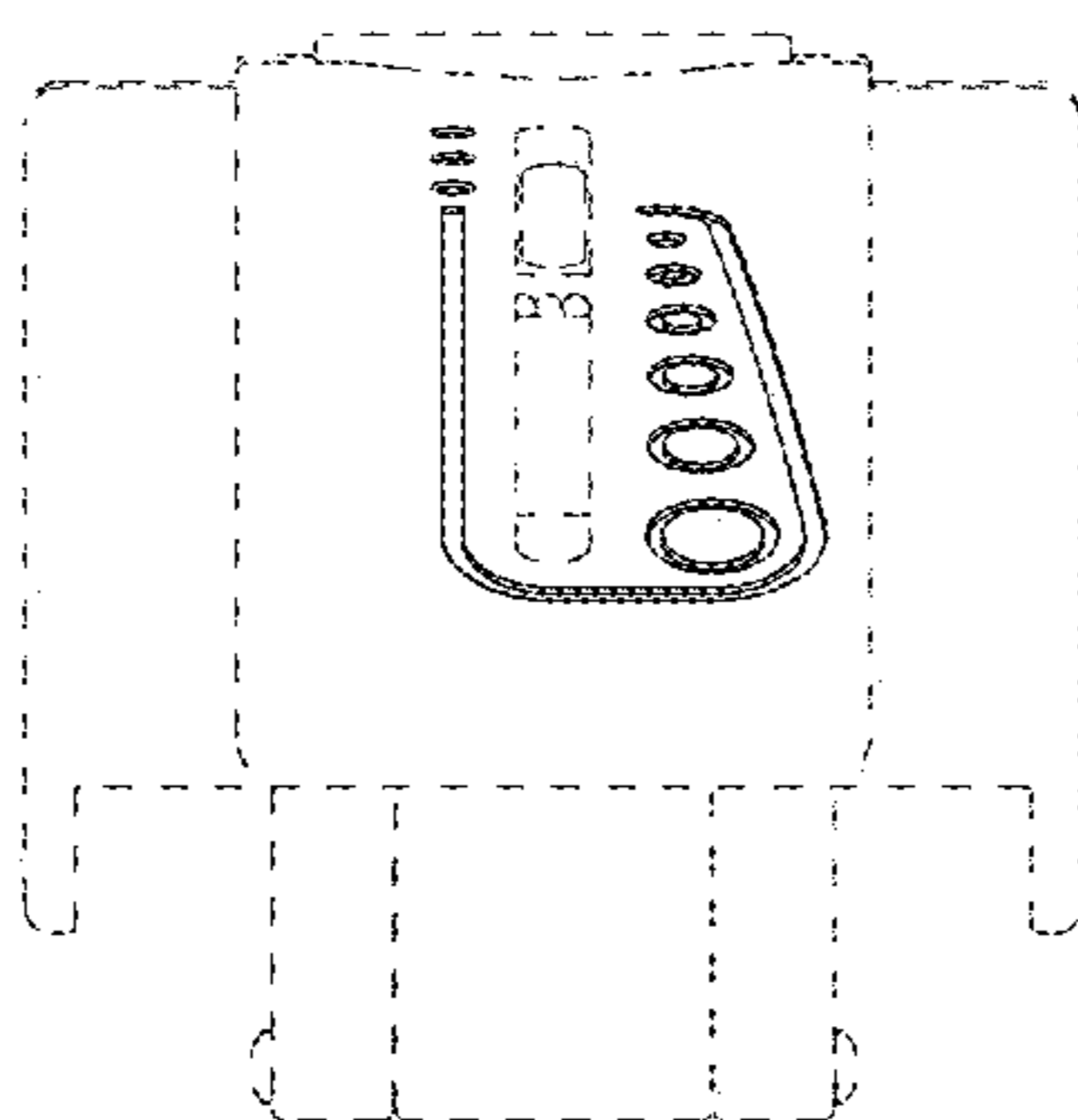


FIG. 7

