



US00D740156S

(12) **United States Design Patent**
Merbeth

(10) **Patent No.:** **US D740,156 S**

(45) **Date of Patent:** **** Oct. 6, 2015**

(54) **BRIDLE CHARM**

(71) Applicant: **Morgan C. Merbeth**, Sussex, WI (US)

(72) Inventor: **Morgan C. Merbeth**, Sussex, WI (US)

(**) Term: **14 Years**

(21) Appl. No.: **29/518,296**

(22) Filed: **Feb. 23, 2015**

Related U.S. Application Data

(63) Continuation of application No. 29/517,084, filed on Feb. 10, 2015, now abandoned.

(51) **LOC (10) Cl.** **11-01**

(52) **U.S. Cl.**

USPC **D11/79**; D30/136

(58) **Field of Classification Search**

USPC D11/1, 7, 8, 9, 79, 80, 81, 82, 83, 84,
D11/85, 86, 87; D30/153, 134-138;
D3/207, 208, 209, 210, 211

CPC A44C 25/00; A44C 25/001; A44C 25/002;
A44C 25/004; A44C 25/007; A44C 1/00;
A01K 11/001; A01K 27/00

See application file for complete search history.

(56) **References Cited**

U.S. PATENT DOCUMENTS

1,973,282	A *	9/1934	Brush	63/14.5
D207,563	S *	5/1967	Bailey	D19/36
D257,572	S *	12/1980	Wefler	D3/208
4,353,225	A	10/1982	Rogers		
D306,177	S *	2/1990	Park	D19/122
D405,023	S *	2/1999	Correa	D11/79
D420,572	S *	2/2000	Warner	D9/600
D514,012	S *	1/2006	Phlippeau et al.	D11/79
D665,697	S	8/2012	Cooley		

2006/0010913	A1	1/2006	Torres et al.	
2007/0157440	A1 *	7/2007	Malkin et al. 24/429
2014/0374285	A1 *	12/2014	Gaddis 206/216

OTHER PUBLICATIONS

[Online] <https://www.etsy.com/listing/215975786/crystallize-clear-crystal?ref=listing-shop-header-1>. Retrieved Jul. 20, 2015.*

[Online] https://www.etsy.com/listing/189466674/10-off-spring-sale-1-pc-crystal-charm?ga_order=most_relevant&ga_search_type=all&ga_view_type=gallery&ga_search_query=crystal%20charm&ref=sr_gallery_1. Retrieved Jul. 20, 2015.*

[Online] <http://harrislove.com/images/David-Yurman-Cable-Charm-Crystal.jpg>. Retrieved Jul. 20, 2015.*

[Online] <https://www.etsy.com/listing/220918960/crystal-quartz-double-point-necklace?ref=market>. Retrieved Jul. 20, 2015.*

[Online] <https://www.etsy.com/listing/235110536/silvergold-bail-drilled-quartz-crystal?ref=market>. Retrieved Jul. 20, 2015.*

* cited by examiner

Primary Examiner — Cathron Brooks

Assistant Examiner — Melanie Pellegrini

(74) *Attorney, Agent, or Firm* — Donald J. Ersler

(57) **CLAIM**

The ornamental design for a bridle charm, as shown and described.

DESCRIPTION

FIG. 1 is a top perspective view of a bridle charm incorporating my new design;

FIG. 2 is a bottom perspective view thereof;

FIG. 3 is a front elevation view thereof;

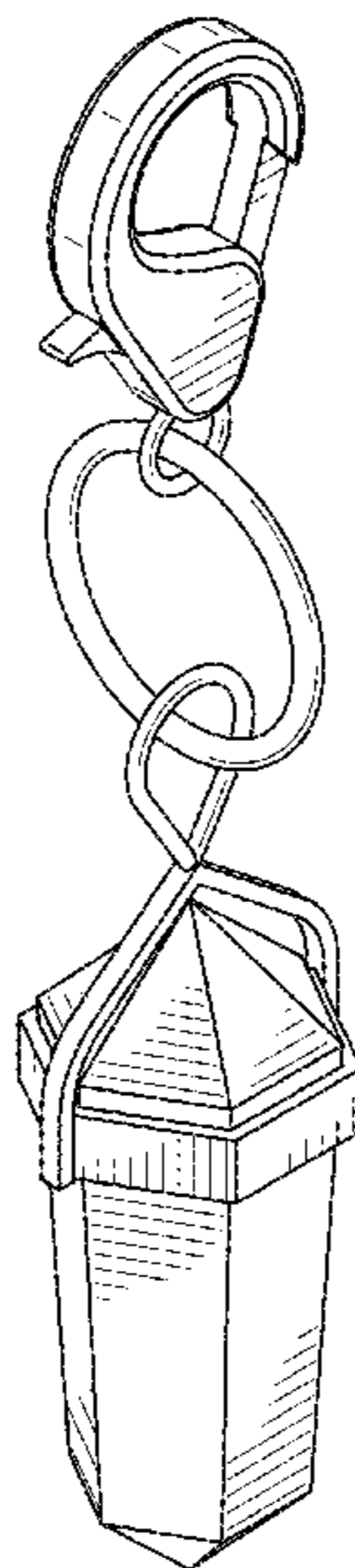
FIG. 4 is a top plan view thereof;

FIG. 5 is a bottom plan view thereof;

FIG. 6 is a left side view thereof; and,

FIG. 7 is a right side view thereof.

1 Claim, 3 Drawing Sheets



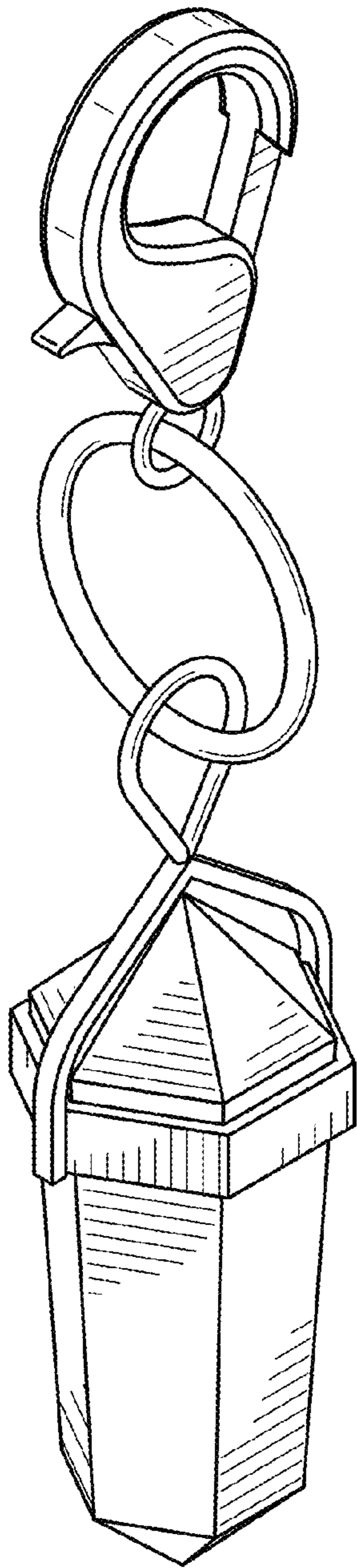


FIG. 1

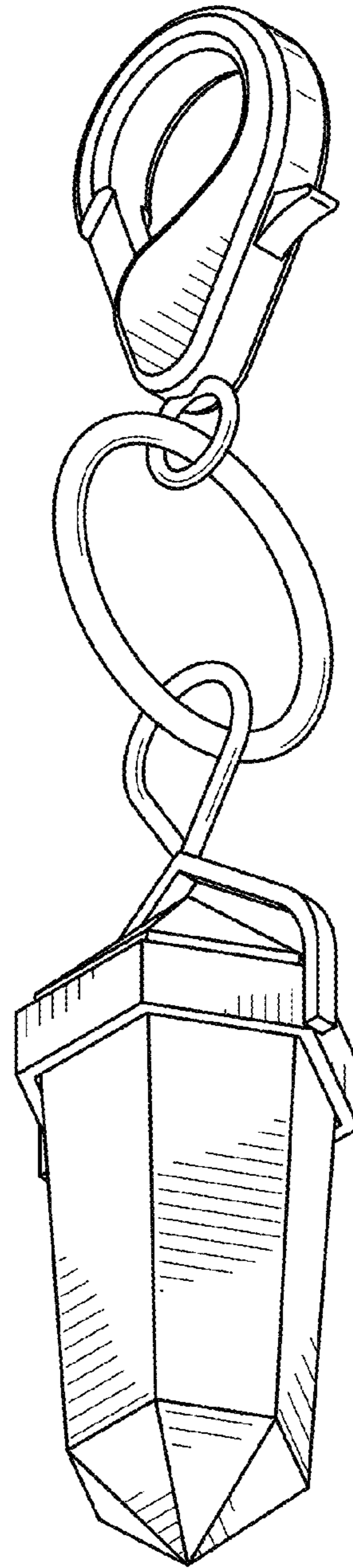


FIG. 2

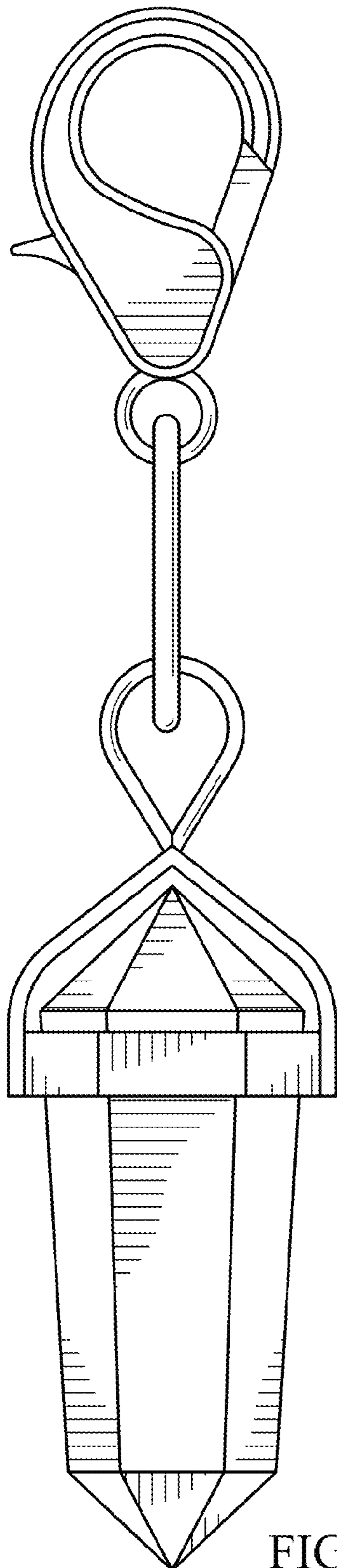


FIG. 3

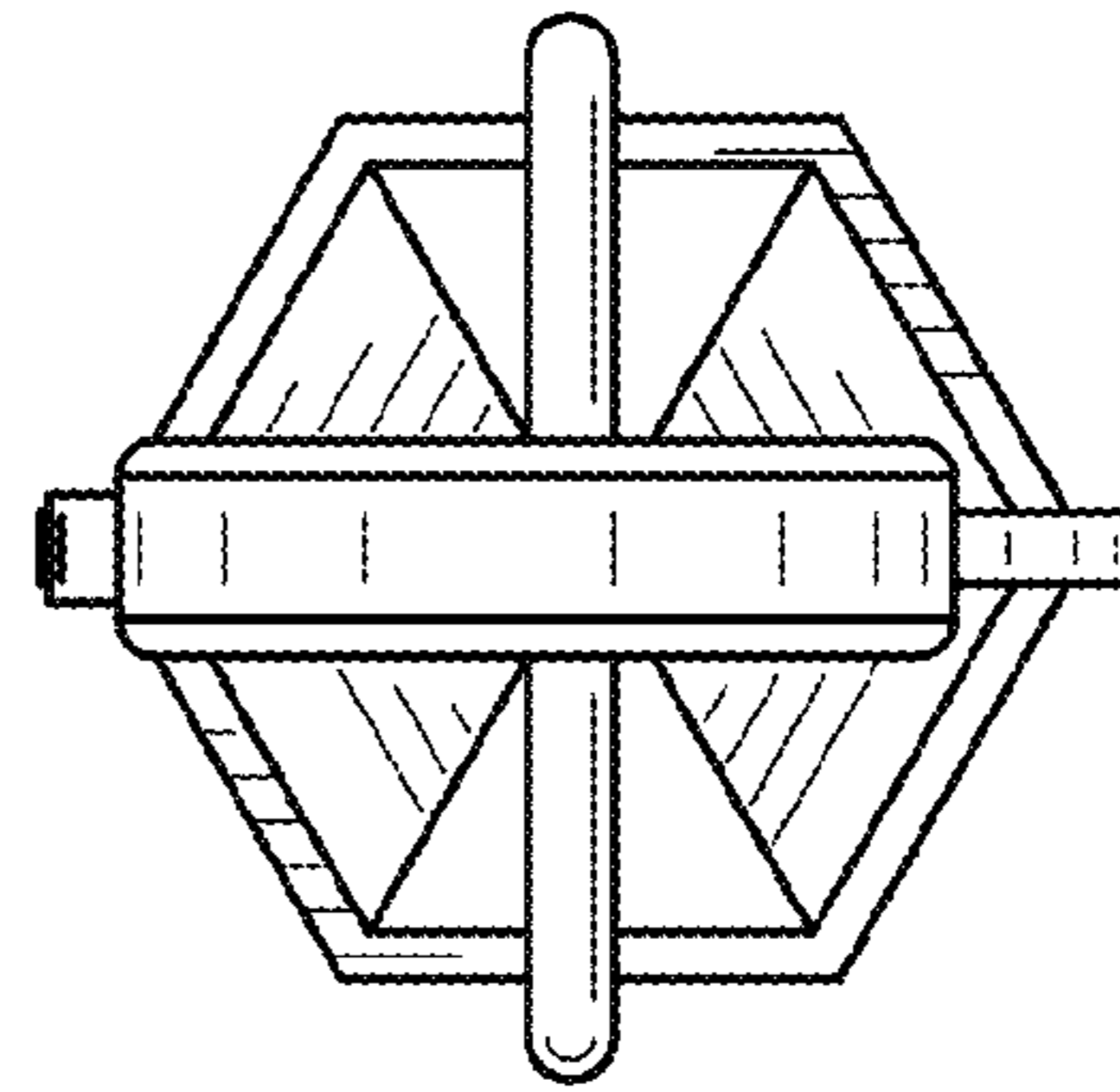


FIG. 4

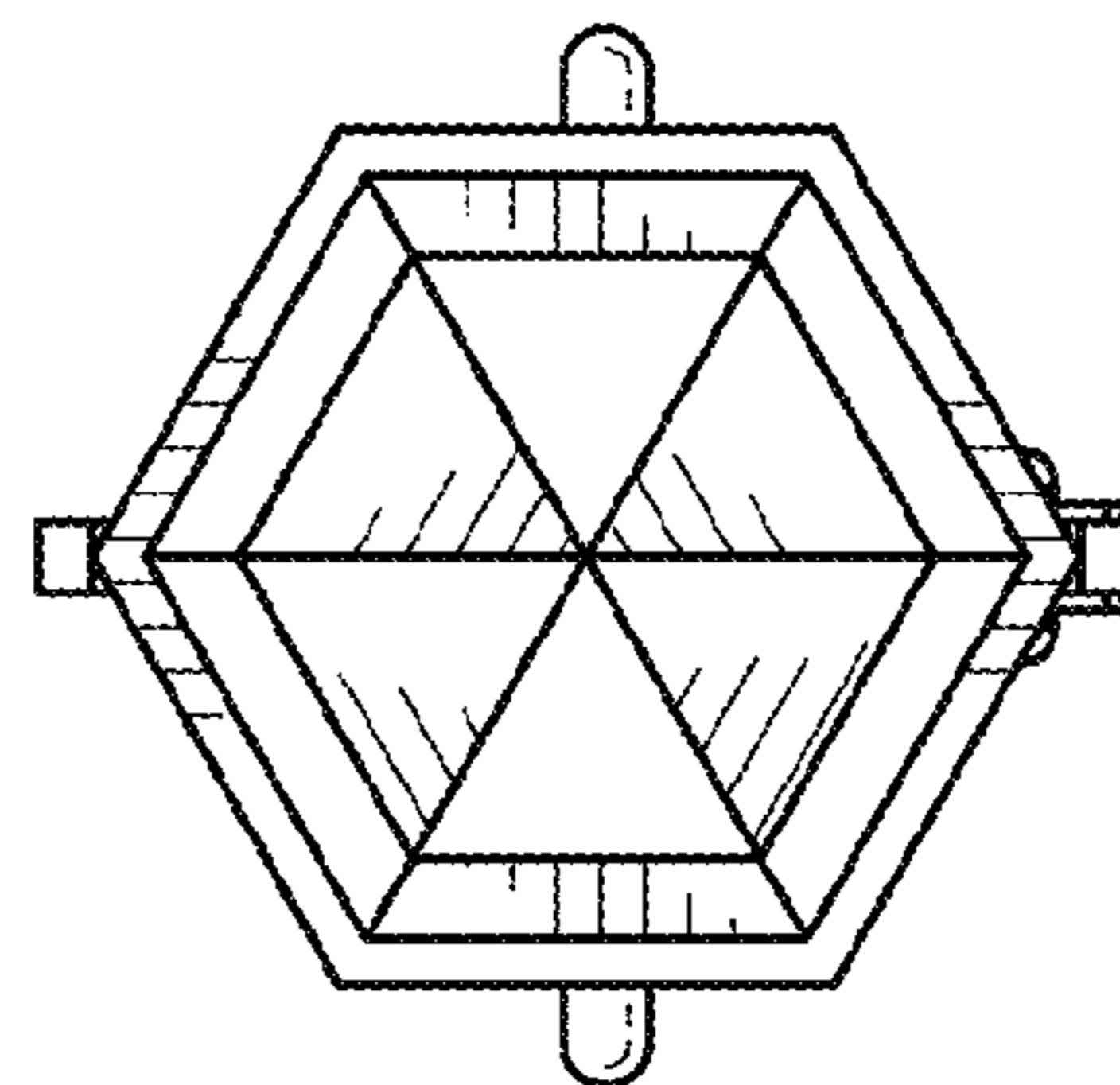


FIG. 5

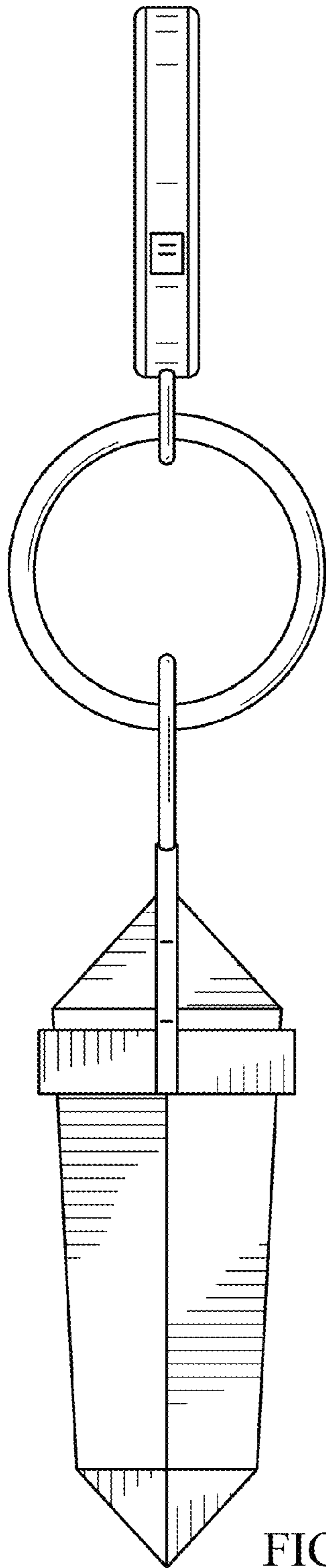


FIG. 6

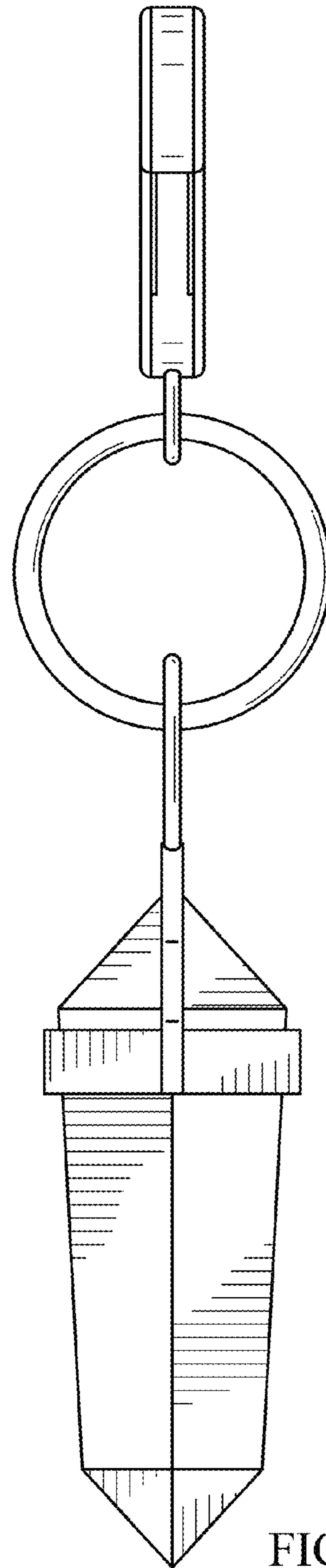


FIG. 7