



US00D740150S

(12) **United States Design Patent**
Howsam

(10) **Patent No.:** **US D740,150 S**
(45) **Date of Patent:** **** Oct. 6, 2015**

(54) **WRISTBAND**

(76) Inventor: **Chris Howsam**, Devon (GB)

(**) Term: **14 Years**

(21) Appl. No.: **29/420,024**

(22) Filed: **May 3, 2012**

(51) **LOC (10) Cl.** **11-01**

(52) **U.S. Cl.**
USPC **D11/3**

(58) **Field of Classification Search**

USPC D11/1-27, 216, 220; 63/1.11, 1.12,
63/1.13, 1.14, 12, 3, 3.1, 3.2, 4, 5.1, 7, 11,
63/15, 15.3, 32, 33, 34, 38, 41; 362/103,
362/104; D3/203.1, 203.2, 201, 215, 226;
224/219; D10/30-32; 368/276-278,
368/281-283; D14/344

See application file for complete search history.

(56) **References Cited**

U.S. PATENT DOCUMENTS

2,046,079	A *	6/1936	MacIntosh	63/9
2,449,324	A *	9/1948	Robinson	224/219
2,605,032	A *	7/1952	Hunt et al.	224/219
D290,234	S *	6/1987	Komatsu	D10/38
4,896,465	A *	1/1990	Rhodes et al.	224/219
D347,589	S *	6/1994	LaBate	D10/74
D347,733	S *	6/1994	Miller	D3/226
5,434,759	A *	7/1995	Endo et al.	362/103
5,632,549	A *	5/1997	Fang	362/103
D387,898	S *	12/1997	Ronzani	D3/215
D499,489	S *	12/2004	Roehrig	D3/203.1
7,104,668	B1 *	9/2006	Lee	362/104
D631,552	S *	1/2011	Kasabach et al.	D24/186
8,333,358	B2 *	12/2012	Carnes	224/219
2005/0242137	A1 *	11/2005	Fishman et al.	224/219
2011/0194276	A1 *	8/2011	Au	362/104
2013/0188335	A1 *	7/2013	Marche et al.	362/103
2014/0043794	A1 *	2/2014	Carriere	362/103

OTHER PUBLICATIONS

Xylobands Product Website, published Feb. 8, 2012, online. Site visited Jul. 8, 2014. Internet URL:<"http://xylobands.com">.*
Coldplay's Xylobands Take Off!, Zagg.com, published Feb. 8, 2012, online. Site visited Jul. 8, 2014. Internet URL:<"http://www.zagg.com/community/blog/coldplays-xylobands-take-off/">.*

* cited by examiner

Primary Examiner — Cynthia Ramirez

Assistant Examiner — Llorellys Martinez-Rivera

(74) *Attorney, Agent, or Firm* — The Salehi Law Group

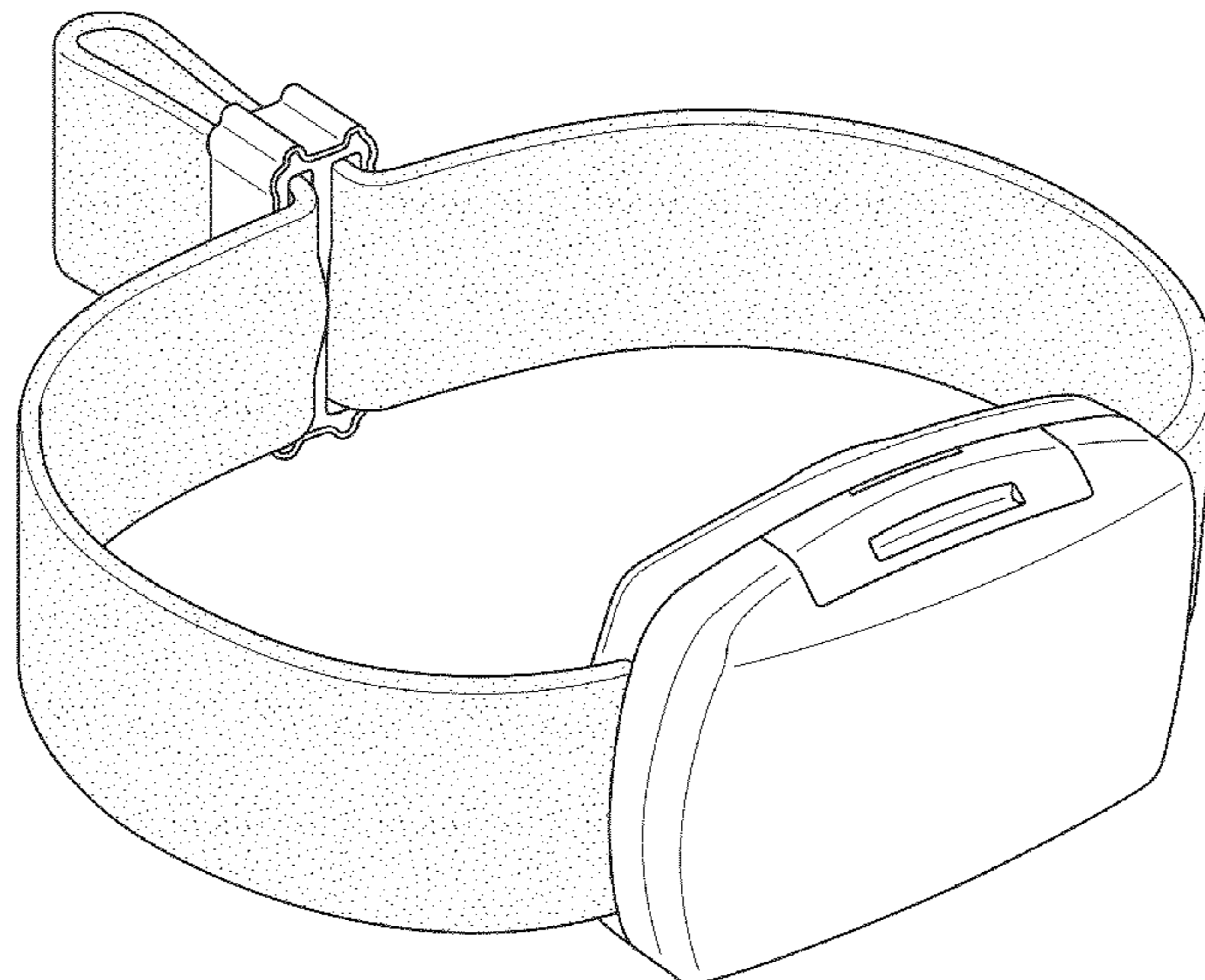
(57) **CLAIM**

The ornamental design for a wristband, as shown and described.

DESCRIPTION

FIG. 1 is a front perspective view of a wristband, showing the present invention with LEDs off;
FIG. 2 is a rear perspective view thereof;
FIG. 3 is a top plan view thereof;
FIG. 4 is a right side view thereof, the left side view being a minor image thereof;
FIG. 5 is a front perspective view of a wristband, showing the present invention with LEDs on;
FIG. 6 is a rear perspective view thereof;
FIG. 7 is a top plan view thereof;
FIG. 8 is a right side view thereof, the left side view being a minor image thereof;
FIG. 9 is an exploded front perspective view of the wristband, showing the present invention with LEDs off; and,
FIG. 10 is an exploded rear perspective view of the wristband, showing the present invention with LEDs off.

1 Claim, 5 Drawing Sheets



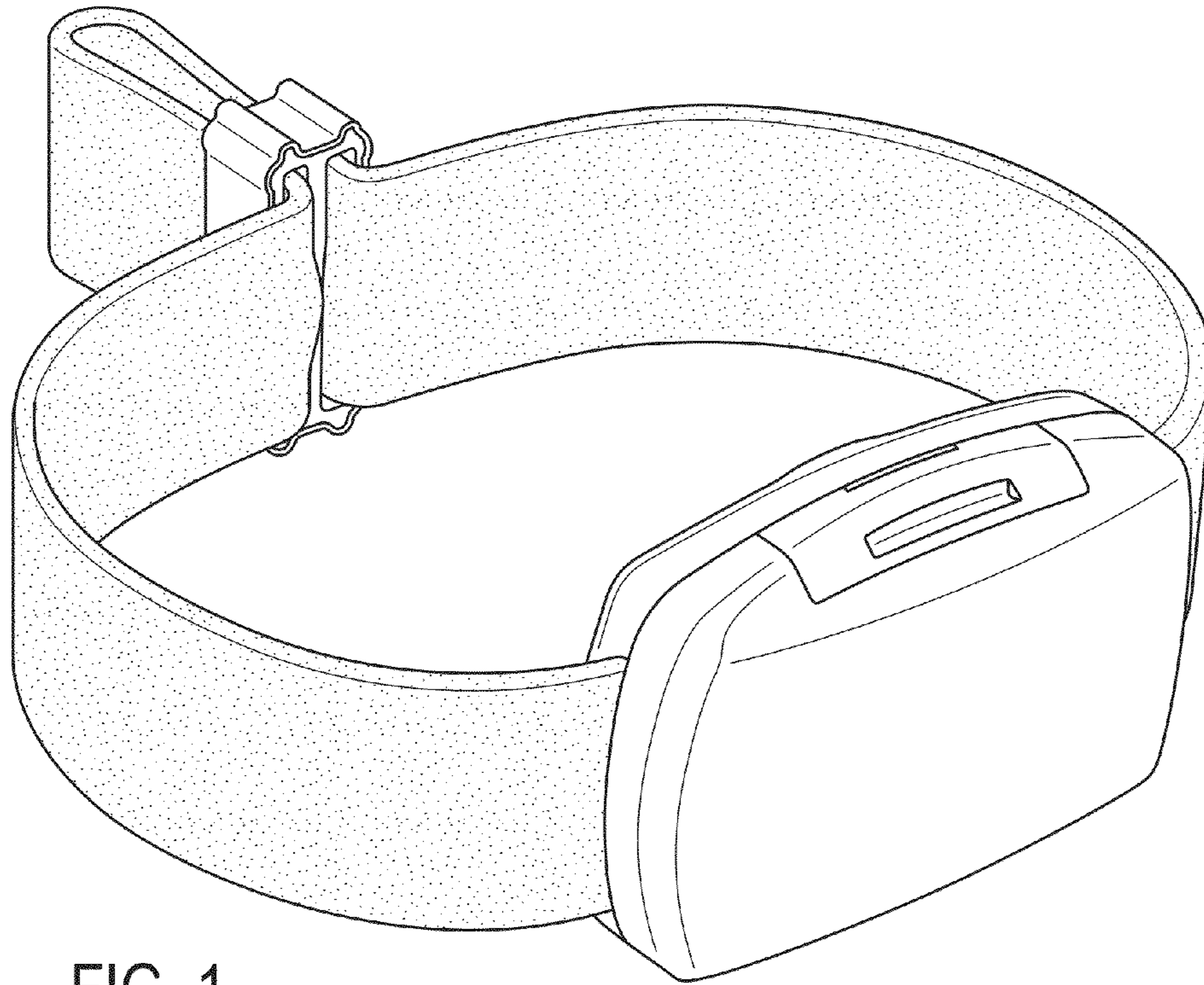


FIG. 1

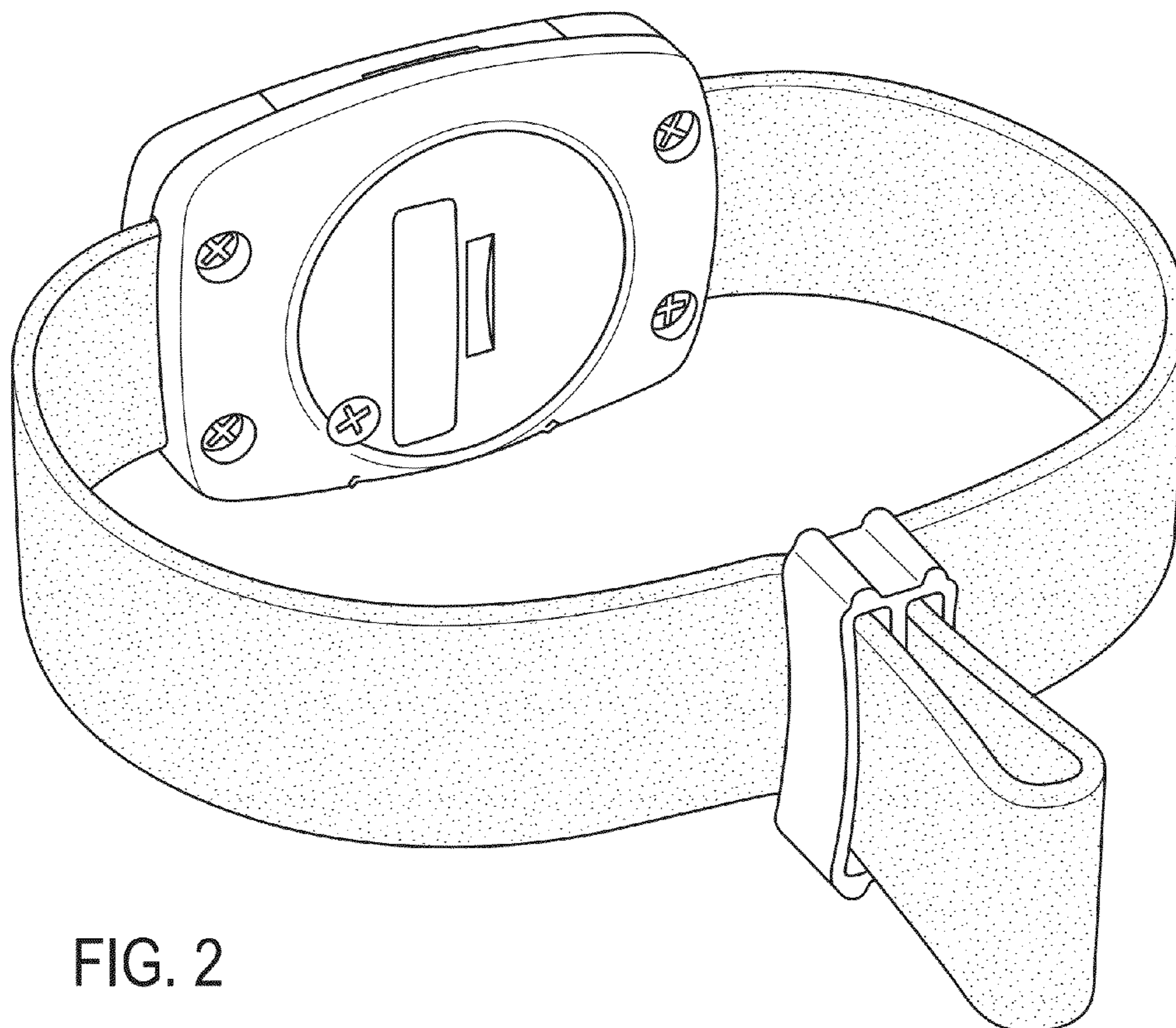


FIG. 2

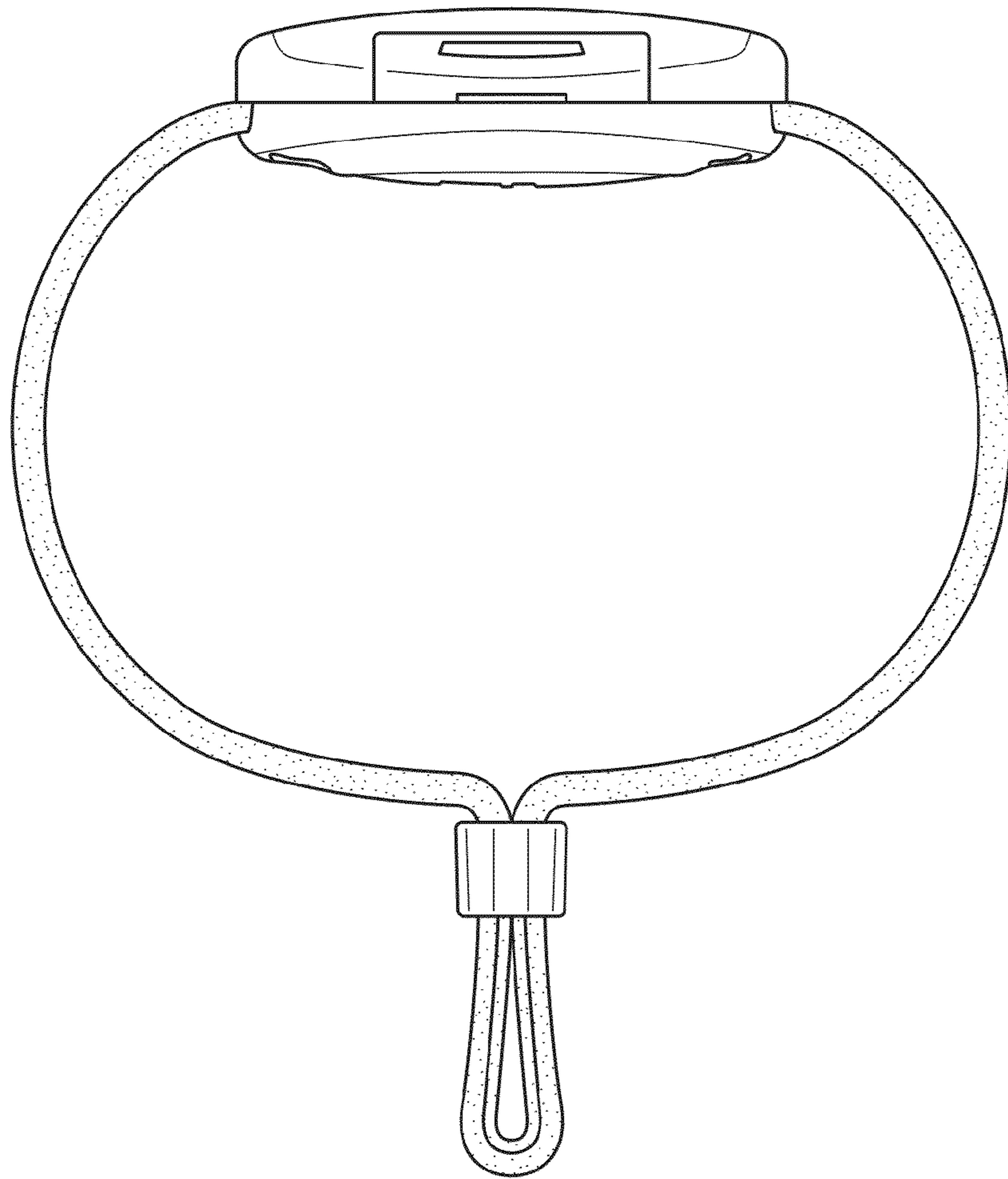


FIG. 3

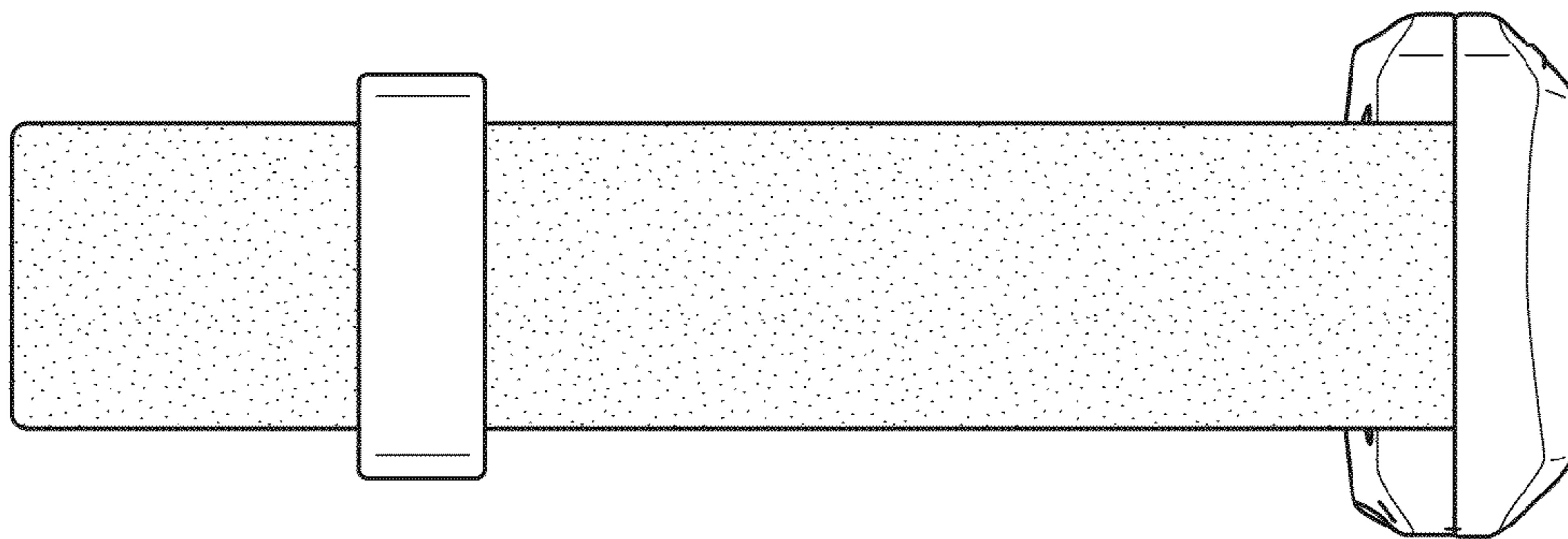


FIG. 4

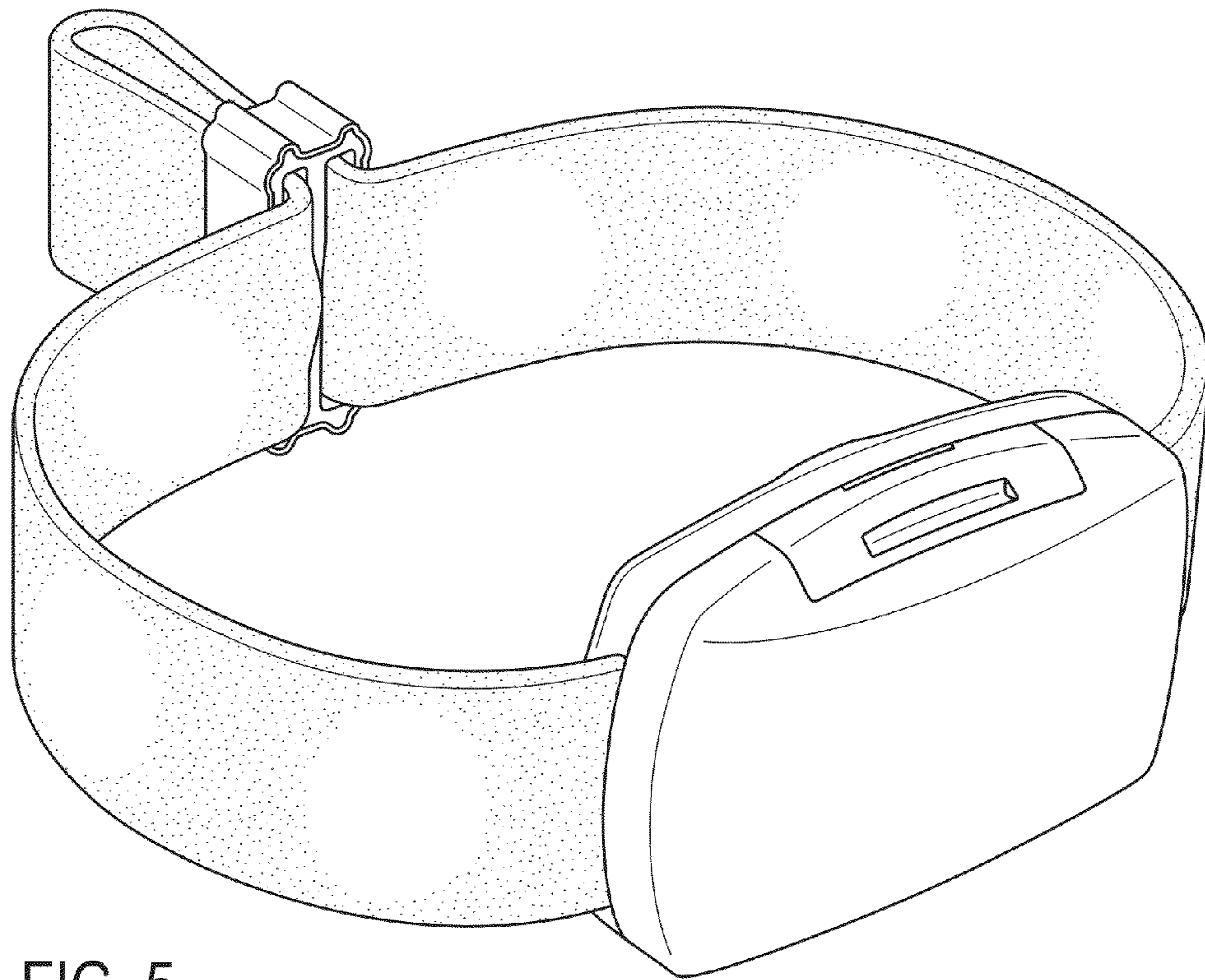


FIG. 5

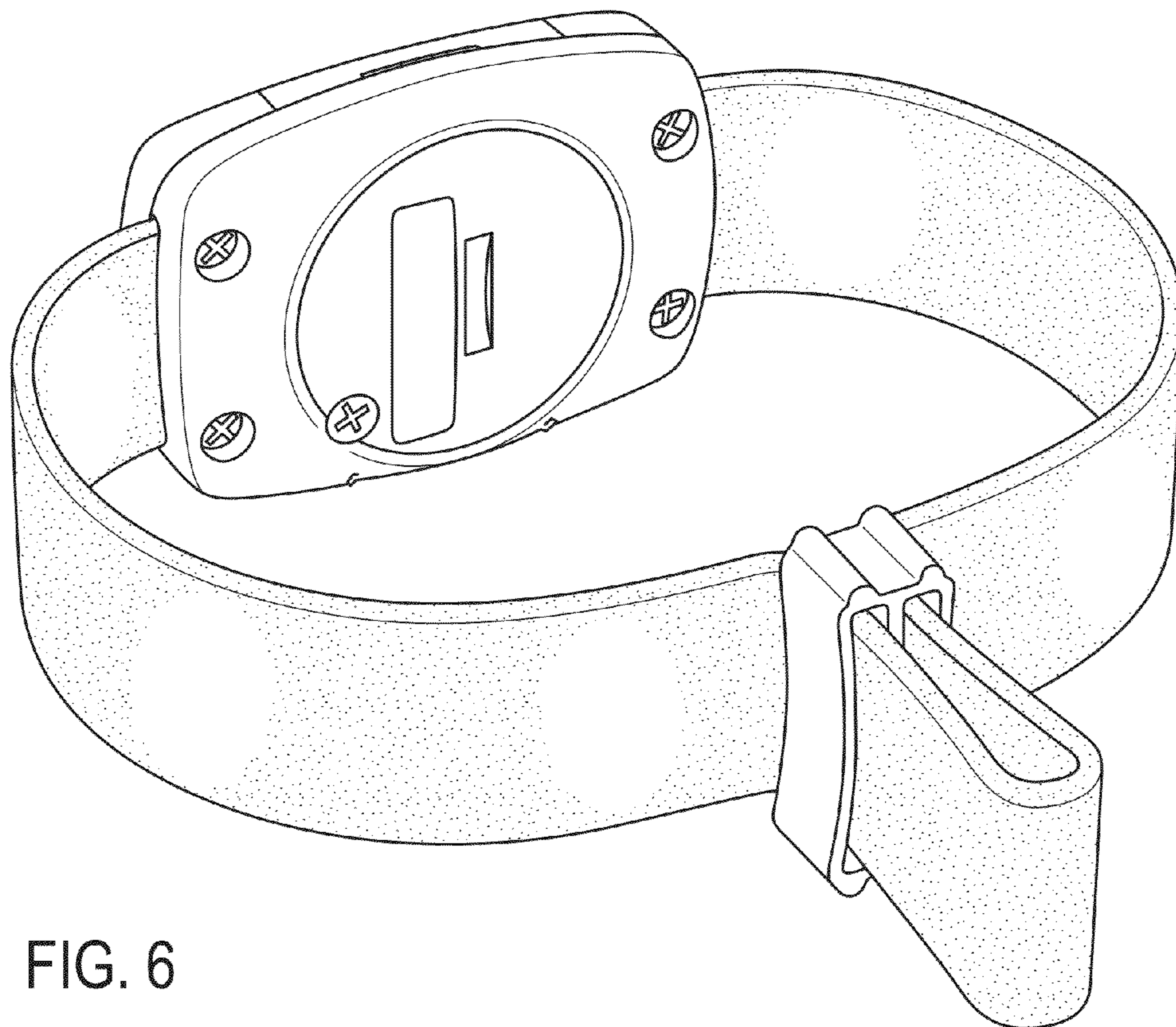


FIG. 6

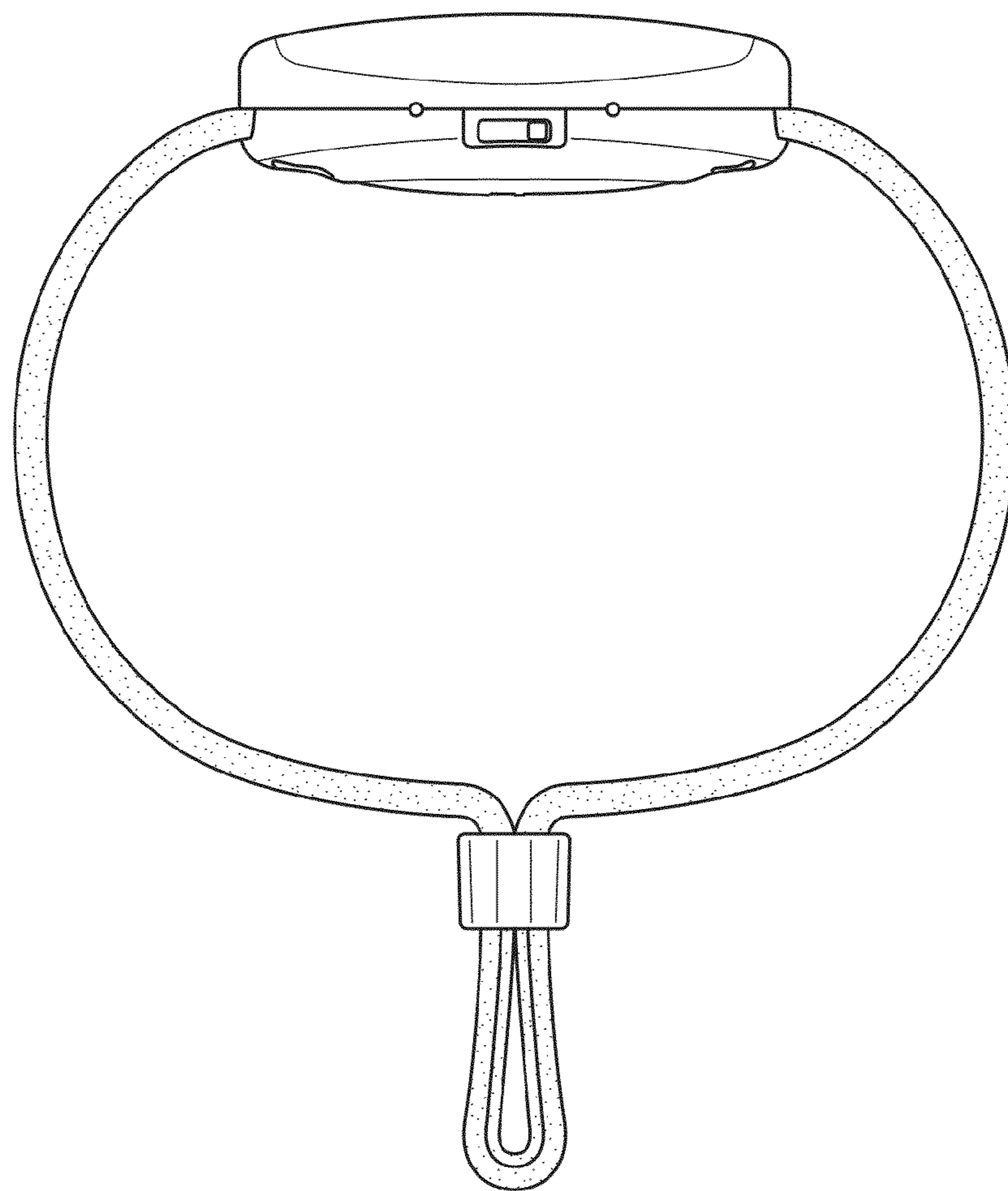


FIG. 7

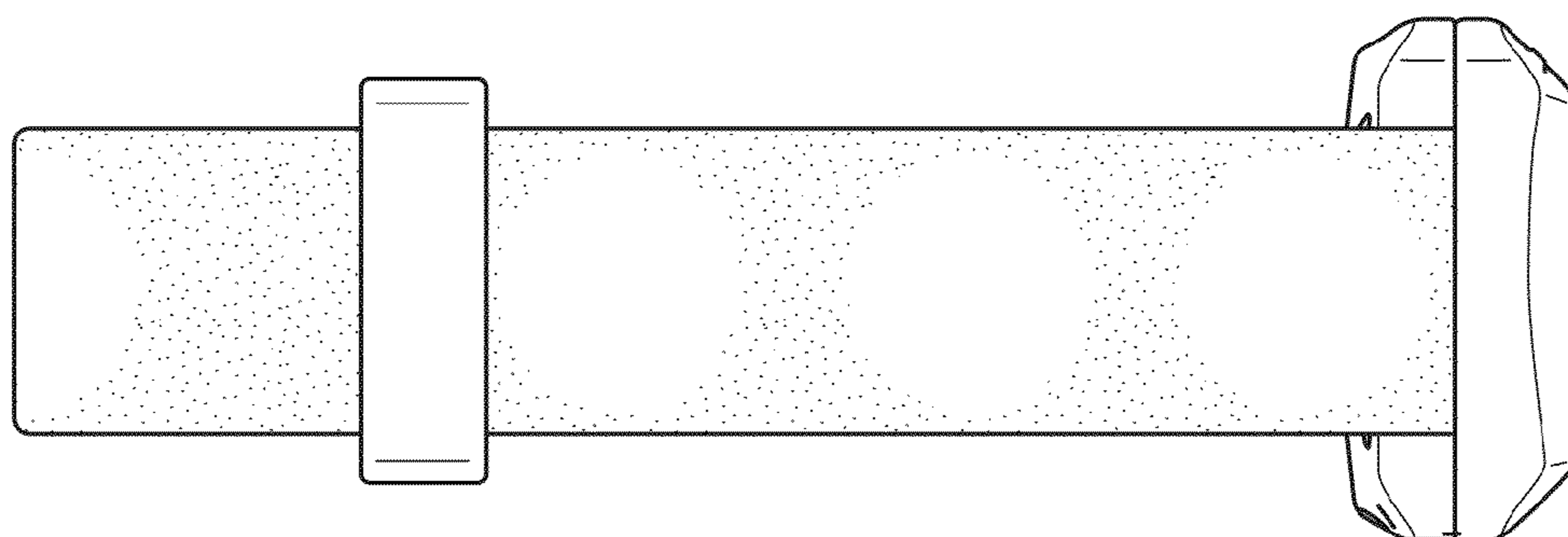


FIG. 8

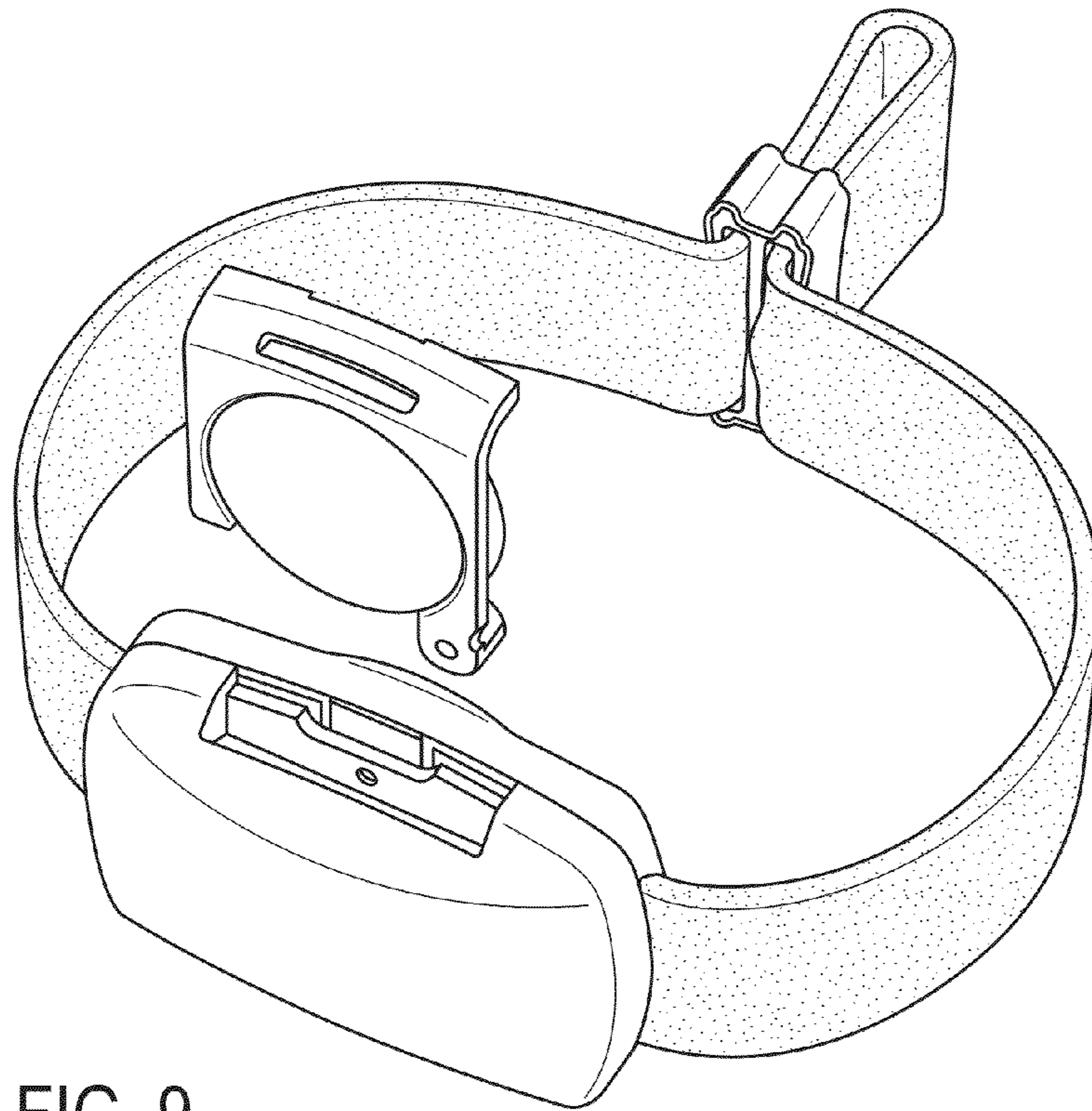


FIG. 9

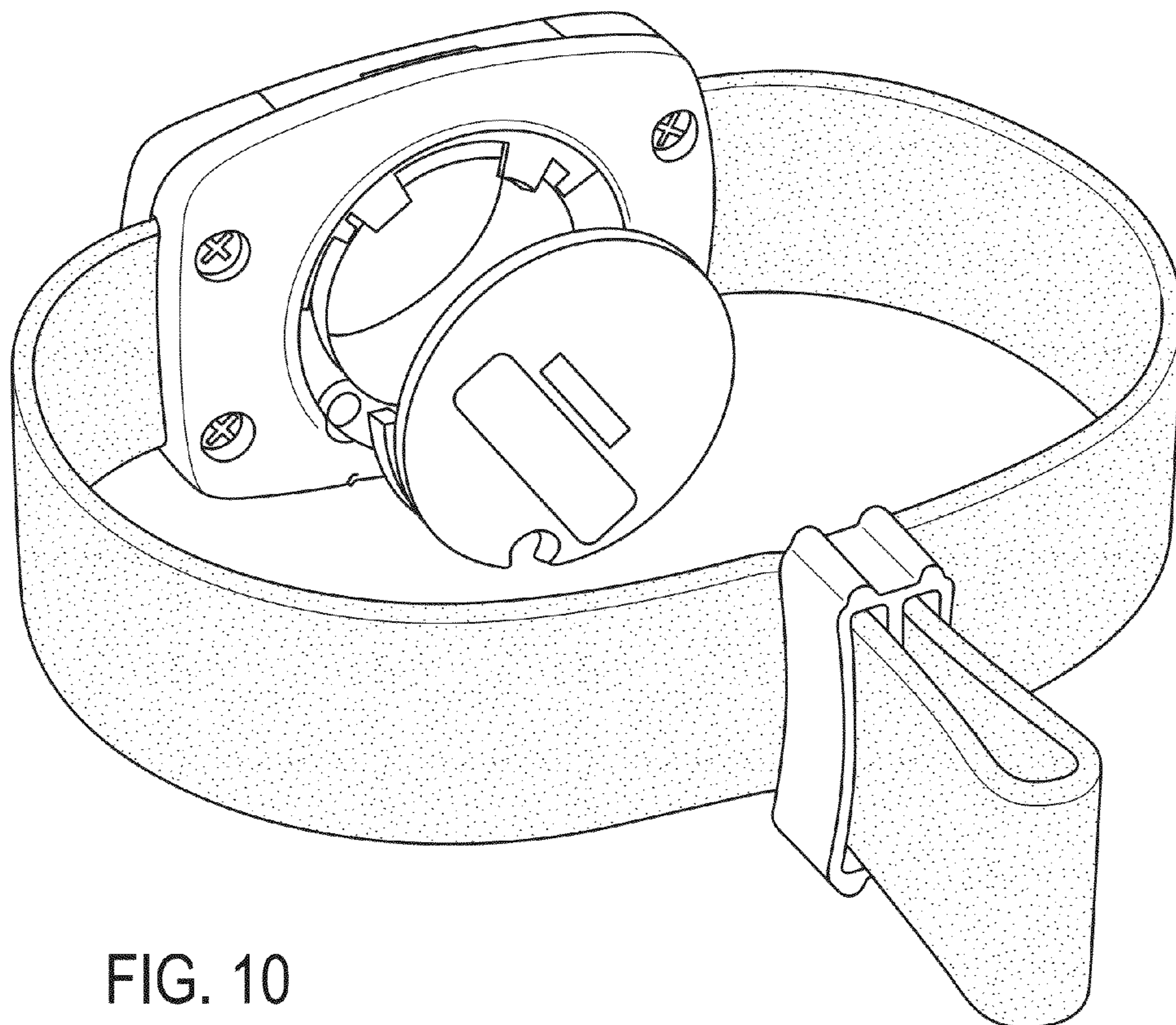


FIG. 10