



US00D740149S

(12) **United States Design Patent**
Talamo

(10) **Patent No.:** **US D740,149 S**

(45) **Date of Patent:** **** Oct. 6, 2015**

(54) **SAFETY WAND**

(71) Applicant: **Safety Wand Corp.**, Spring, TX (US)

(72) Inventor: **John Talamo**, Spring, TX (US)

(73) Assignee: **Safety Wand Corp.**, Spring, TX (US)

(**) Term: **14 Years**

(21) Appl. No.: **29/488,907**

(22) Filed: **Apr. 24, 2014**

(51) **LOC (10) Cl.** **10-05**

(52) **U.S. Cl.**
USPC **D10/114.9**

(58) **Field of Classification Search**
USPC D10/114.1, 114.2, 114.9
CPC F21L 4/00; F21L 4/02; F21L 15/05;
F21V 33/008; F21V 33/0076
See application file for complete search history.

(56) **References Cited**

U.S. PATENT DOCUMENTS

2,340,530	A *	2/1944	Hefner	362/282
2,434,741	A *	1/1948	Pramschiefer et al.	340/321
3,197,757	A *	7/1965	Porta	340/321
D274,317	S *	6/1984	Nelson	D10/114.9
D370,276	S *	5/1996	Davis	D26/37

D389,420	S *	1/1998	Campman	D10/114.9
7,287,874	B2 *	10/2007	Irisawa	362/233
D574,741	S *	8/2008	Gadsden	D10/114.9
D612,966	S *	3/2010	Jiang	D26/42
D622,438	S *	8/2010	Sasada et al.	D26/113
7,845,820	B2 *	12/2010	Bertken	362/217.01
D648,466	S *	11/2011	Hickman	D26/42
D672,894	S *	12/2012	Bayat et al.	D26/42
8,702,266	B1 *	4/2014	Montgomery	362/184
2007/0019398	A1 *	1/2007	Chen et al.	362/102

* cited by examiner

Primary Examiner — Phillip S Hyder

(74) *Attorney, Agent, or Firm* — Terrile, Cannatti, Chambers & Holland, LLP; Robert W. Holland

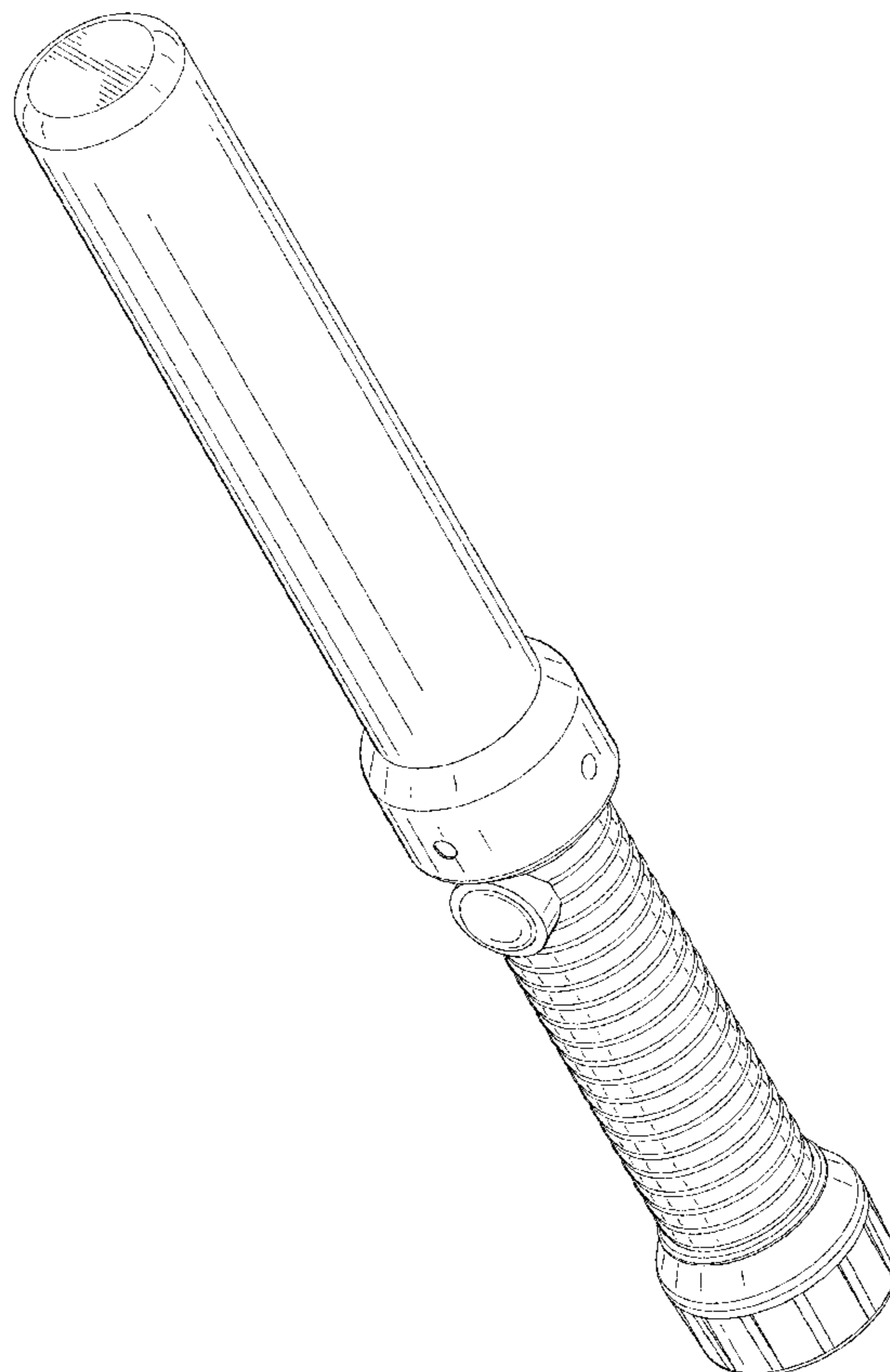
(57) **CLAIM**

The ornamental design for a safety wand, as shown and described.

DESCRIPTION

FIG. 1 is a front upper perspective view of the safety wand comprising the present invention;
FIG. 2 is a front view thereof;
FIG. 3 is a back view thereof;
FIG. 4 is a left side view thereof;
FIG. 5 is a right side view thereof;
FIG. 6 is a top view thereof;
FIG. 7 is a bottom view thereof; and,
FIG. 8 is a front lower perspective view thereof.

1 Claim, 5 Drawing Sheets



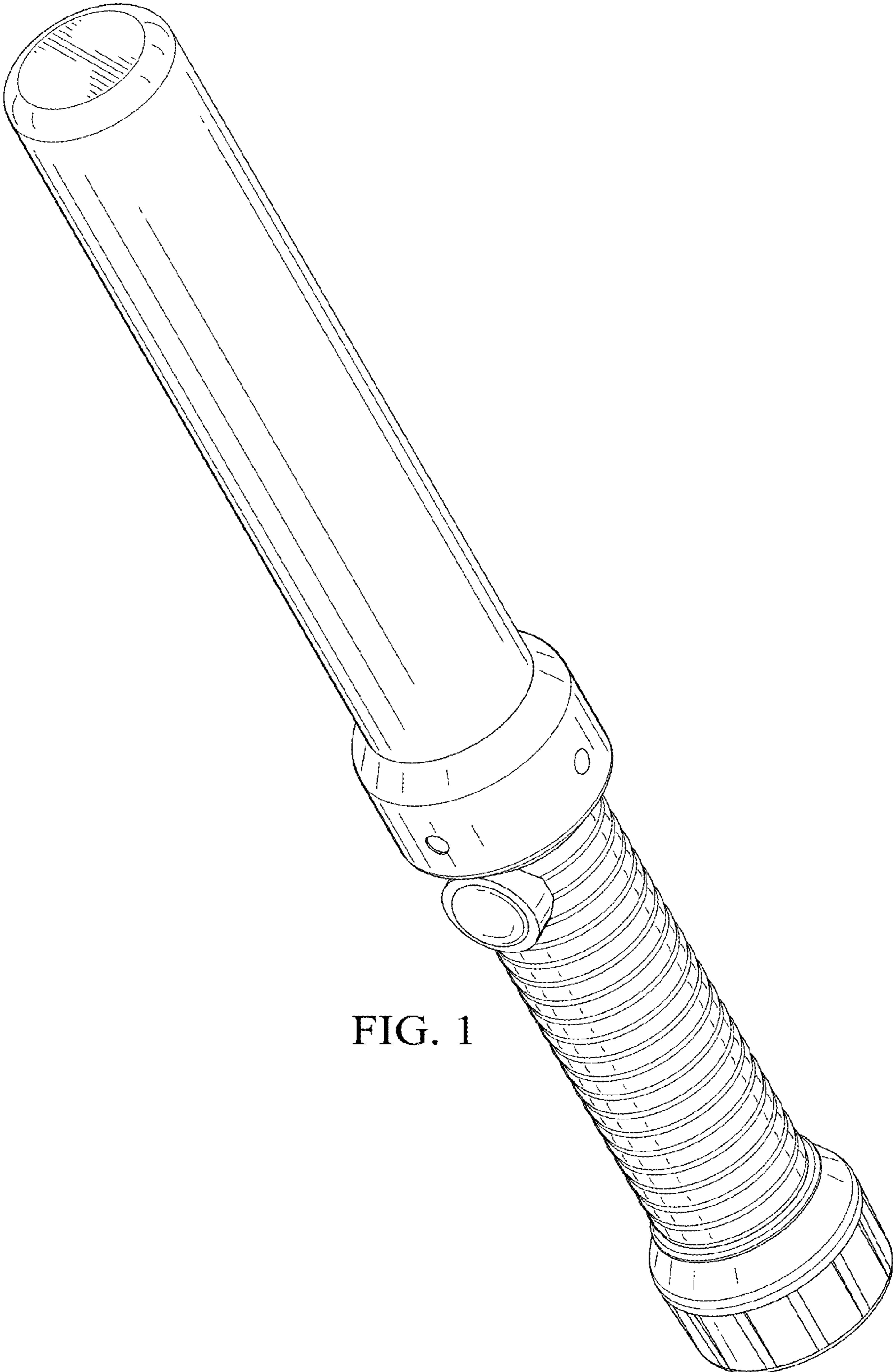


FIG. 1

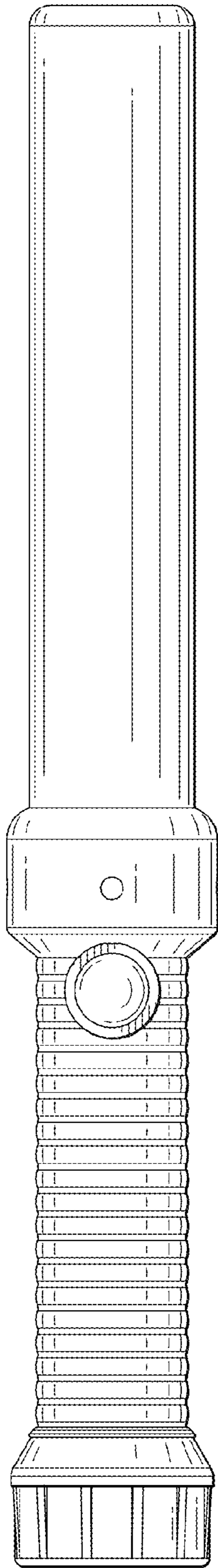


FIG. 2

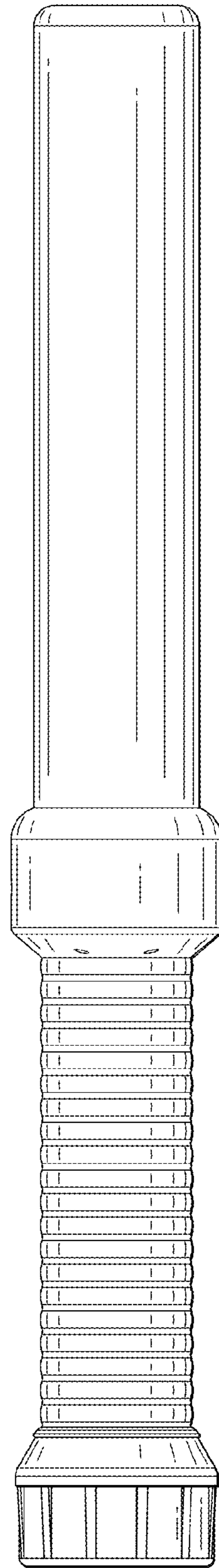


FIG. 3

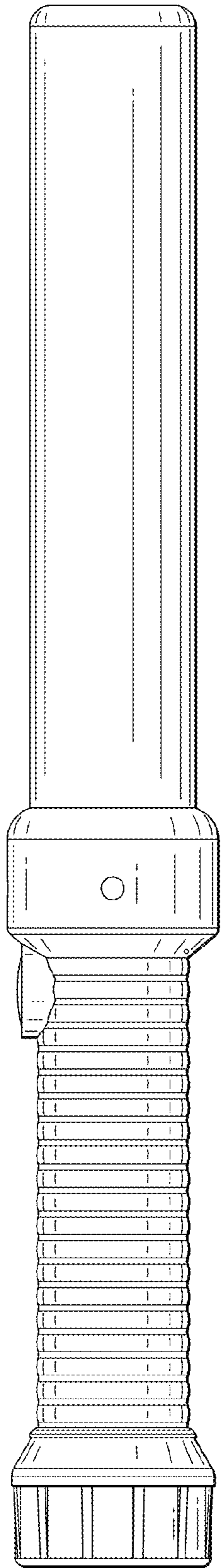


FIG. 4

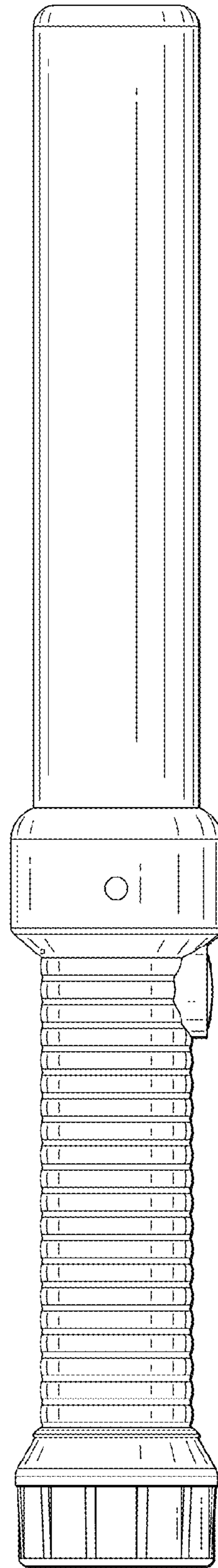


FIG. 5

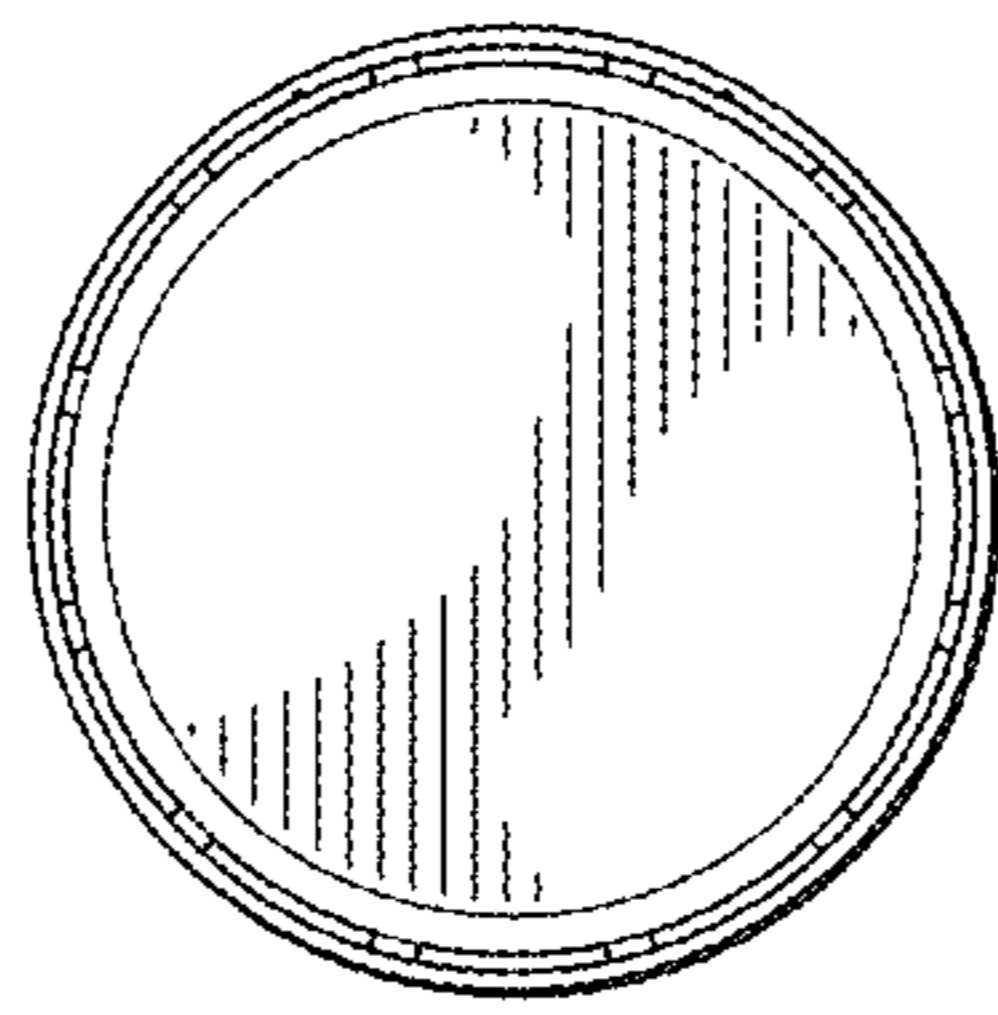


FIG. 6

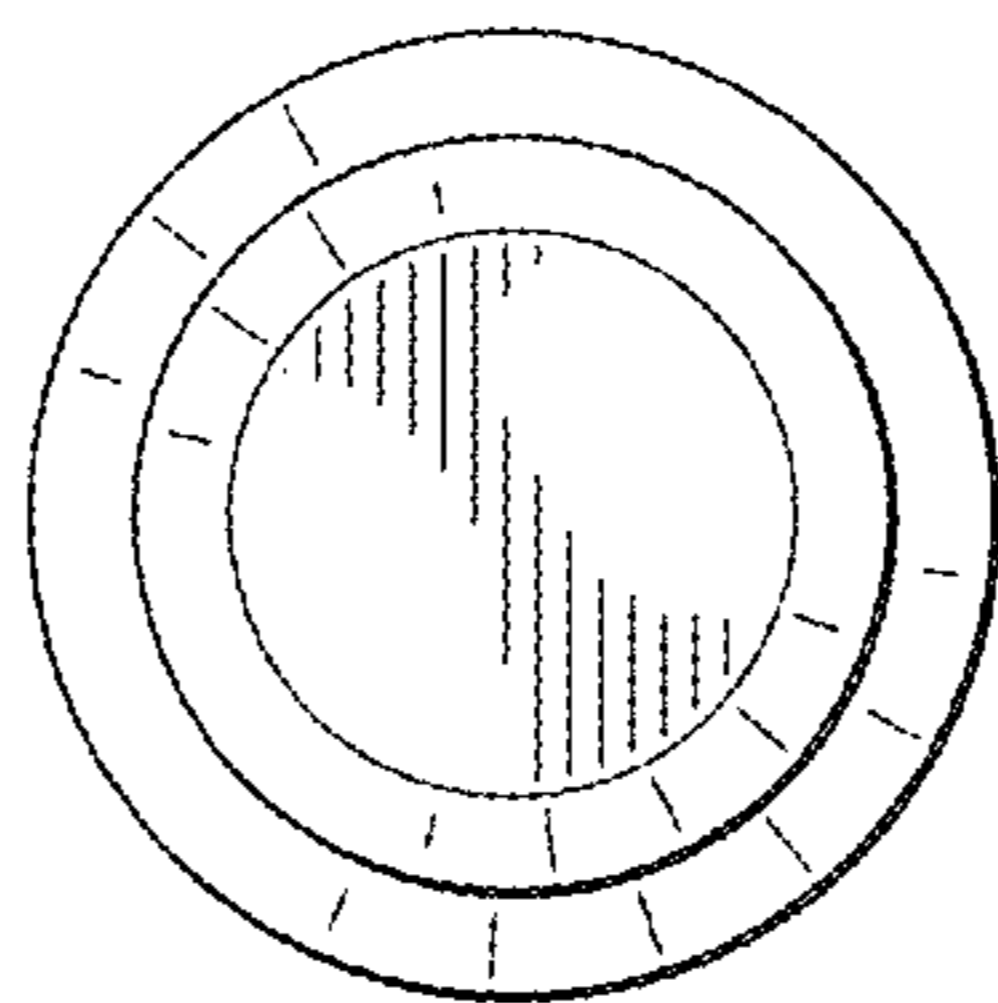


FIG. 7

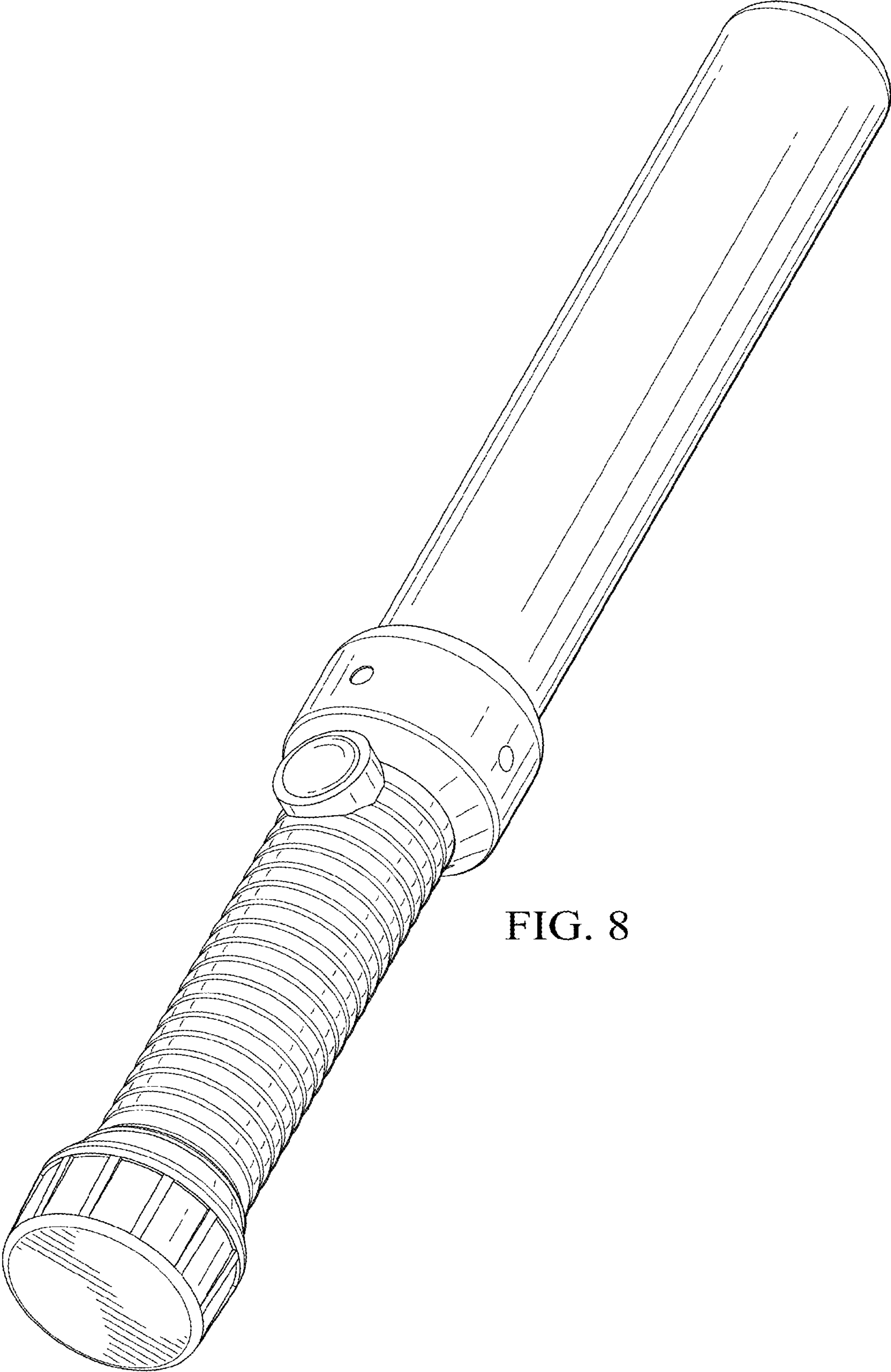


FIG. 8