



US00D740148S

(12) **United States Design Patent**  
**Colussi et al.**

(10) **Patent No.:** **US D740,148 S**

(45) **Date of Patent:** **\*\* Oct. 6, 2015**

(54) **DIAL**

(71) Applicant: **Col-Ven S.A.**, Santa Fe, AR (US)

(72) Inventors: **Rafael A. Colussi**, Santa Fe, AR (US);  
**Nestor J. Venica**, Santa Fe, AR (US)

(73) Assignee: **COL-VEN S.A.**, Santa Fe (AR)

(\*\*) Term: **14 Years**

(21) Appl. No.: **29/501,724**

(22) Filed: **Sep. 8, 2014**

**Related U.S. Application Data**

(63) Continuation-in-part of application No. 29/412,728,  
filed on Feb. 7, 2012, now abandoned.

(51) **LOC (10) Cl.** ..... **10-04**

(52) **U.S. Cl.**  
USPC ..... **D10/103; D10/102**

(58) **Field of Classification Search**  
USPC ..... D10/102, 103, 122-124, 126; D13/162,  
D13/168; D14/126, 336, 371, 374, 389  
CPC ..... B60N 2/0232; B60N 2002/0236;  
B60K 35/00; B60K 2350/00-2350/967;  
B60K 37/00-37/06; G01P 1/08; G01D 5/145;  
G01D 11/24; G01D 11/245; G01D 4/00-4/08;  
G01F 1/06-1/125

See application file for complete search history.

(56) **References Cited**

U.S. PATENT DOCUMENTS

2,890,289 A *	6/1959	Carrell .....	381/418
D249,247 S *	9/1978	Shotz et al. ....	D10/98
D397,305 S *	8/1998	Miller .....	D10/102
D586,681 S *	2/2009	Jackson .....	D10/103

\* cited by examiner

*Primary Examiner* — Antoine D Davis

(74) *Attorney, Agent, or Firm* — Locke Lord LLP; Howard M. Gitten

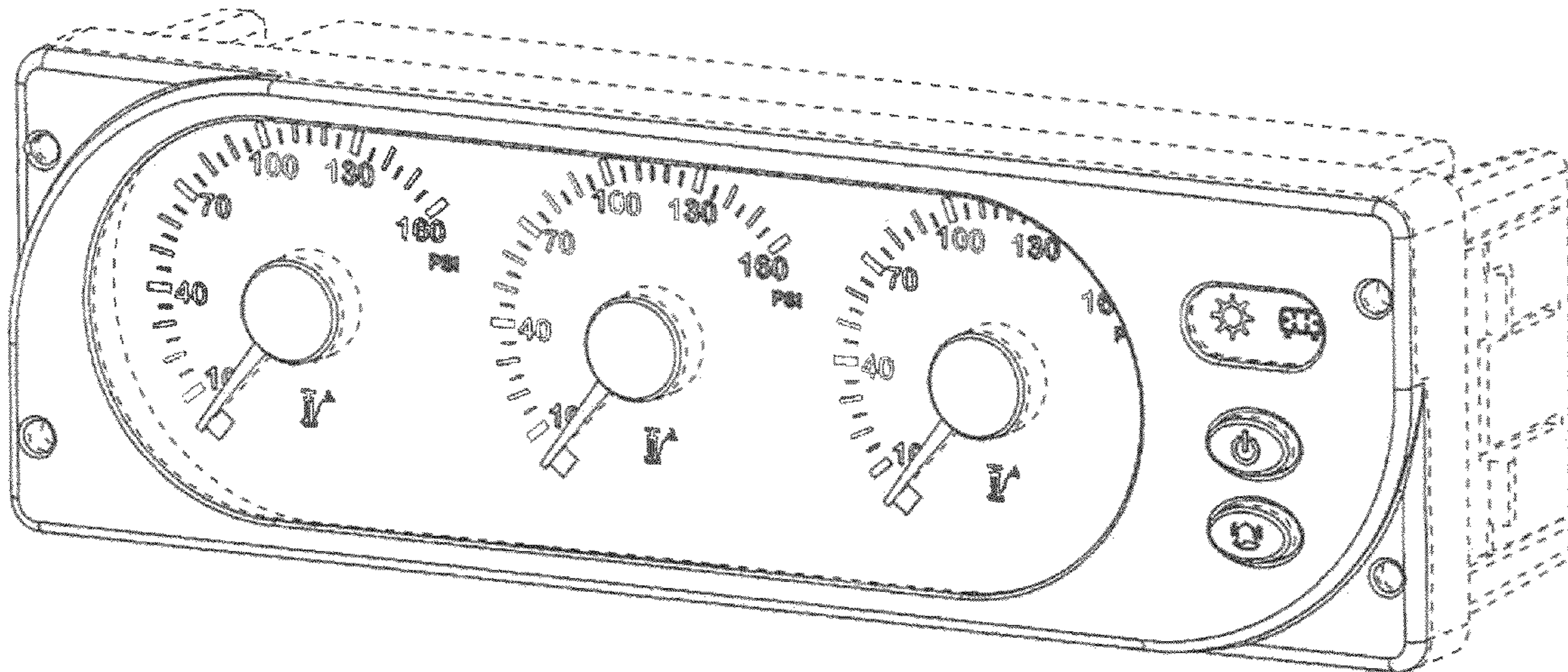
(57) **CLAIM**

The ornamental design for a dial, as shown and described.

**DESCRIPTION**

FIG. 1 is a front view showing a new design;  
FIG. 2 is a first perspective view thereof;  
FIG. 3 is a second perspective view thereof;  
FIG. 4 is a front view showing a second embodiment of the  
new design; and,  
FIG. 5 is a perspective view of the second embodiment.  
The broken line showing of structural features is included for  
the purpose of illustrating non-claimed subject matter and  
forms no part of the claimed design.

**1 Claim, 4 Drawing Sheets**



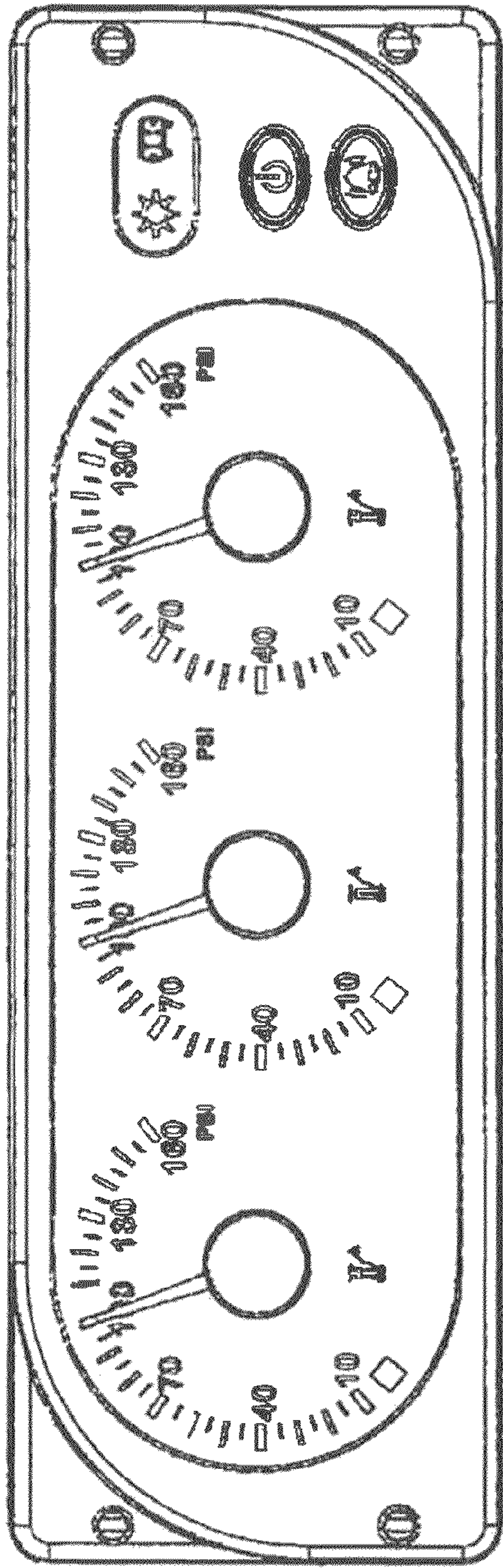


FIG. 1

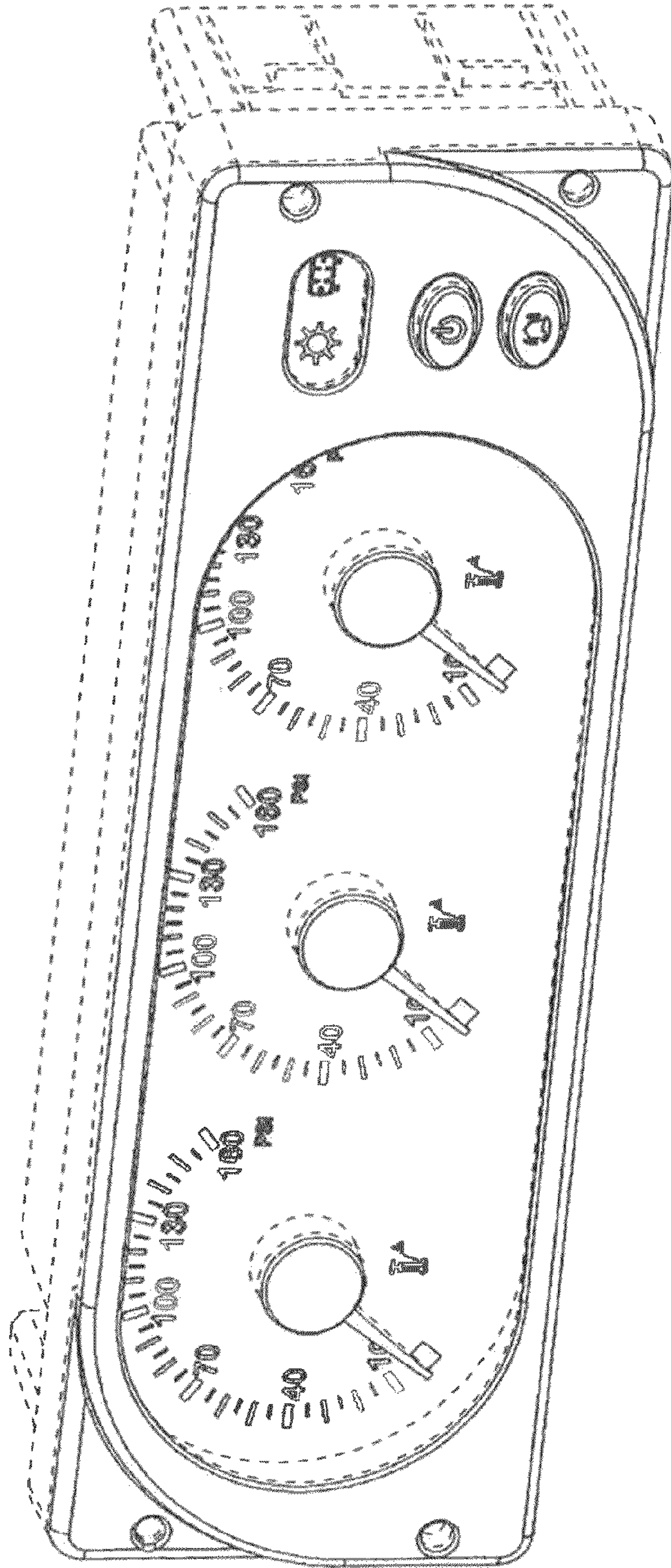


FIG. 2

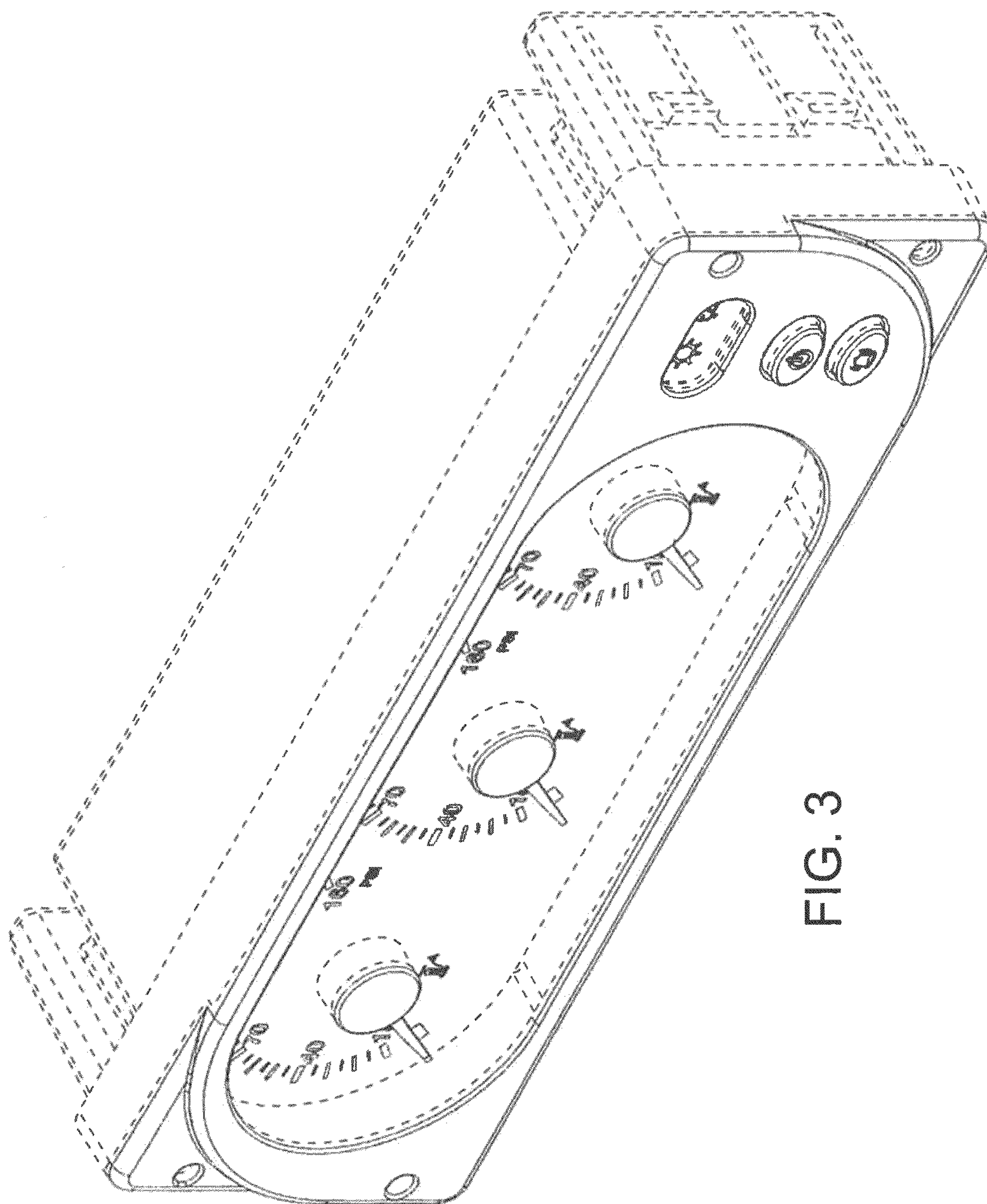


FIG. 3

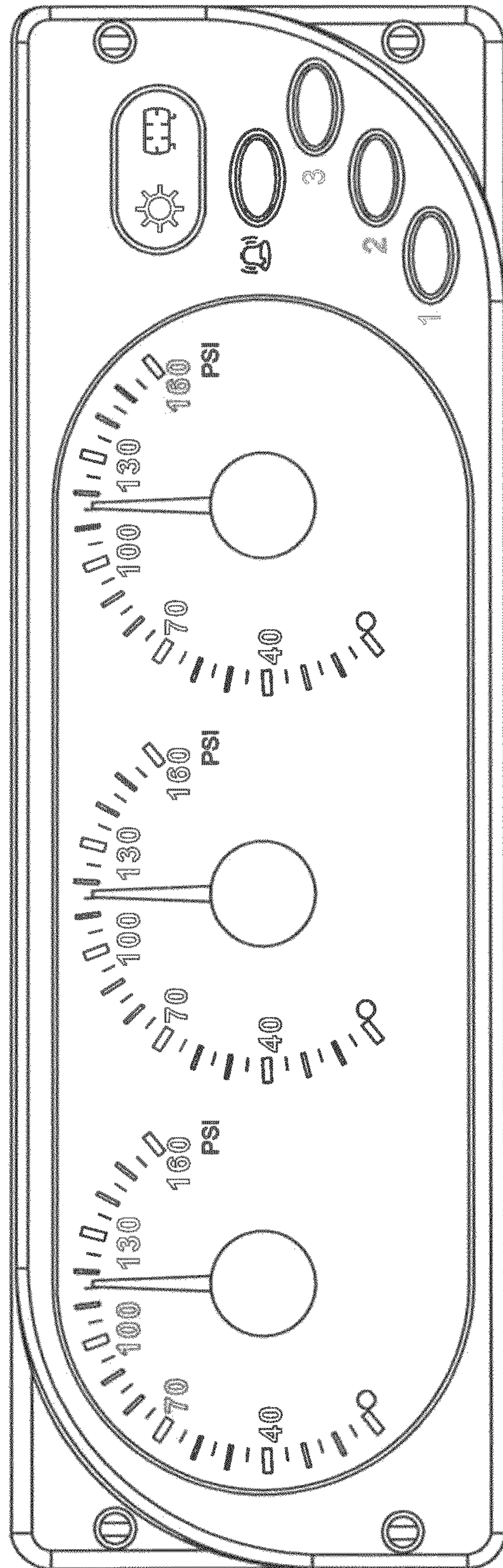


FIG. 4

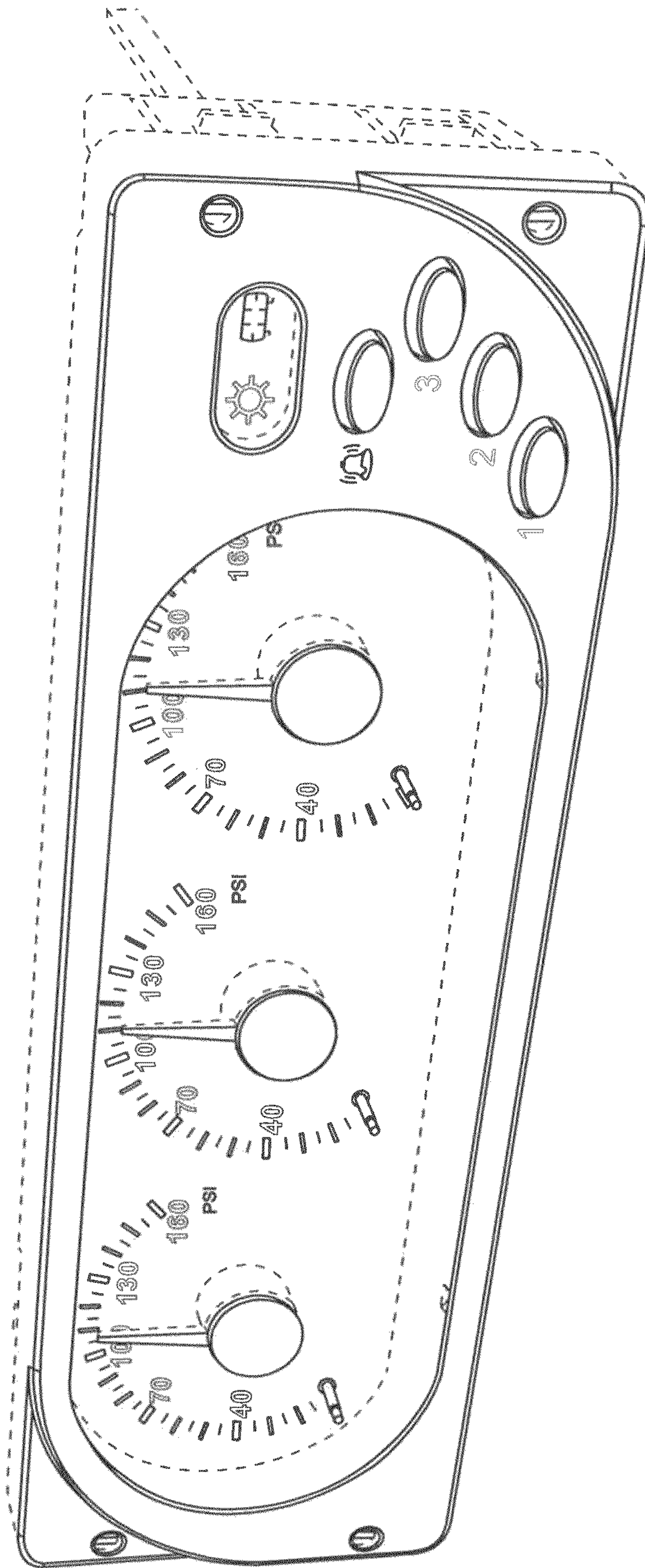


FIG. 5