



US00D740146S

(12) **United States Design Patent**
Li

(10) **Patent No.:** **US D740,146 S**
(45) **Date of Patent:** **** Oct. 6, 2015**

(54) **ELECTRONIC WEIGHING SCALE**

(56) **References Cited**

(71) Applicant: **Guangdong Senssun Weighing Apparatus Group Ltd.**, Zhongshan (CN)

U.S. PATENT DOCUMENTS

D699,611 S * 2/2014 Holding et al. D10/91

* cited by examiner

(72) Inventor: **Junwei Li**, Zhongshan (CN)

Primary Examiner — Antoine D Davis

(73) Assignee: **GUANGDONG SENSSUN WEIGHING APPARATUS GROUP LTD.**, Zhongshan (CN)

(74) *Attorney, Agent, or Firm* — Matthias Scholl P.C.; Matthias Scholl

(**) Term: **14 Years**

(57) **CLAIM**

(21) Appl. No.: **29/497,660**

The ornamental design for an electronic weighing scale, as shown and described.

(22) Filed: **Jul. 27, 2014**

(30) **Foreign Application Priority Data**

DESCRIPTION

Jan. 28, 2014 (CN) 2014 3 0024002

(51) **LOC (10) Cl.** **10-04**

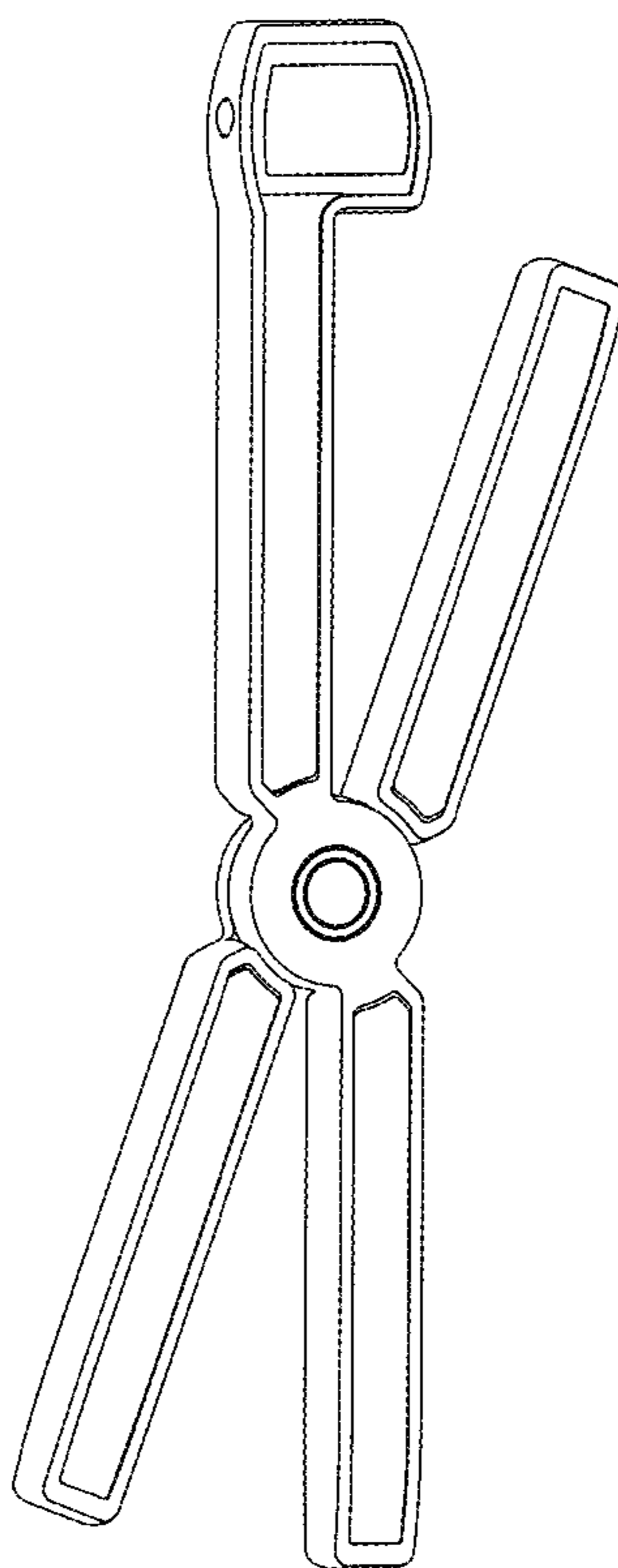
(52) **U.S. Cl.**
USPC **D10/87**

(58) **Field of Classification Search**
USPC D10/87-94; 177/1-264
CPC G01G 3/00-3/18; G01G 7/00-7/06;
G01G 5/00-5/06; G01G 1/00-1/42; G01G
9/00-9/005; G01G 11/00-11/20; G01G
13/00-13/34; G01G 15/00-15/047; G01G
17/00-17/08

FIG. 1 is a front elevational view of an electronic weighing scale in a closed configuration;
FIG. 2 is a rear elevational view thereof;
FIG. 3 is a left side elevational view thereof;
FIG. 4 is a right side elevational view thereof;
FIG. 5 is a top plan view thereof;
FIG. 6 is a bottom plan view thereof;
FIG. 7 is a perspective view thereof; and,
FIG. 8 is a perspective view of the electronic weighing scale in an open configuration.

See application file for complete search history.

1 Claim, 8 Drawing Sheets



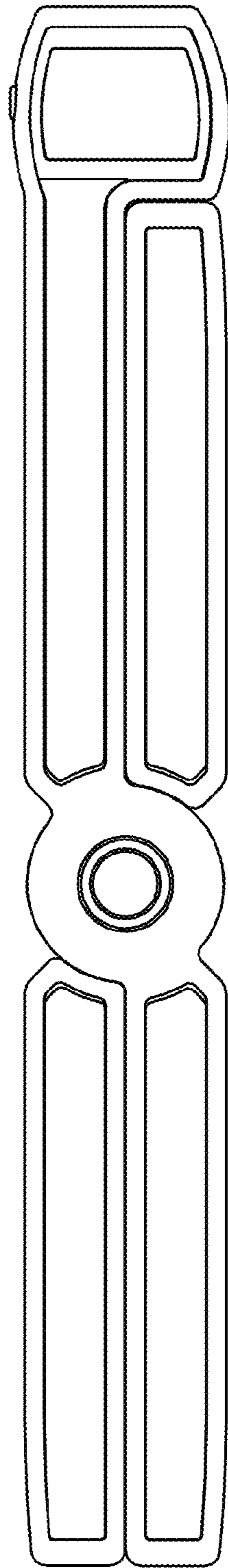


FIG. 1

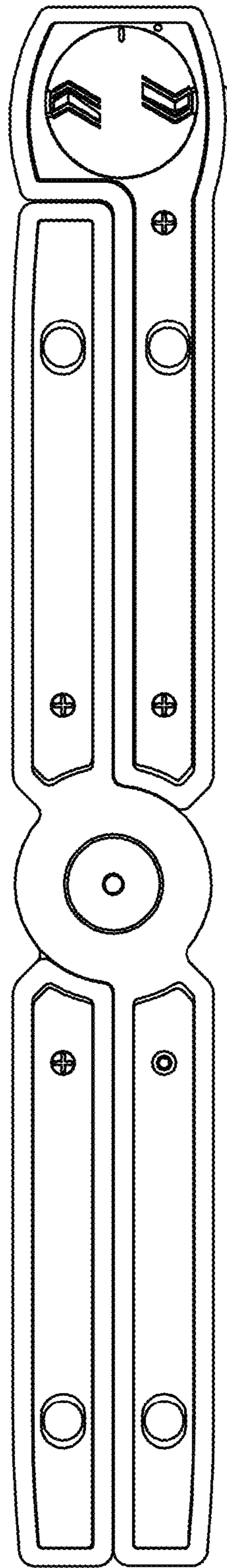


FIG. 2

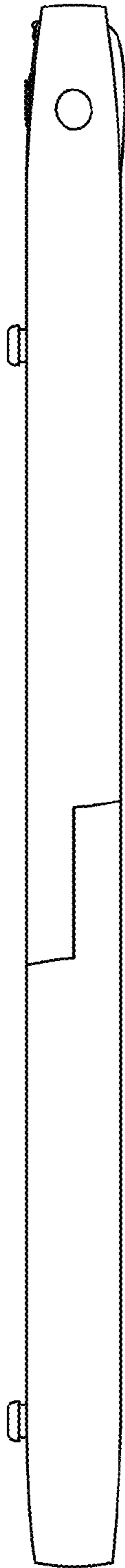


FIG. 3

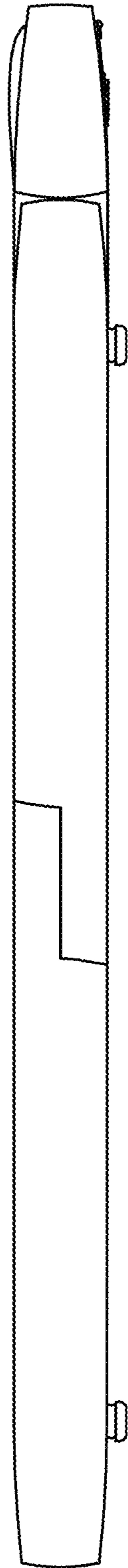


FIG. 4

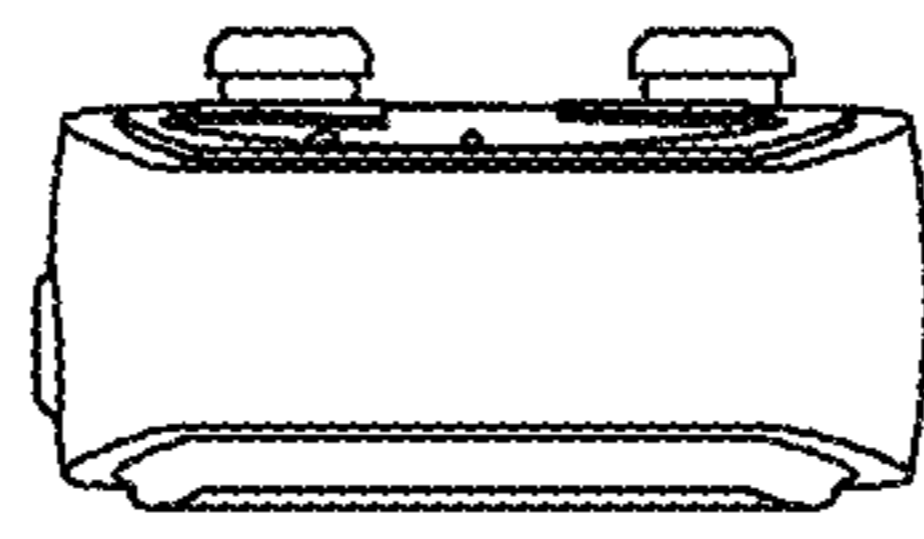


FIG. 5

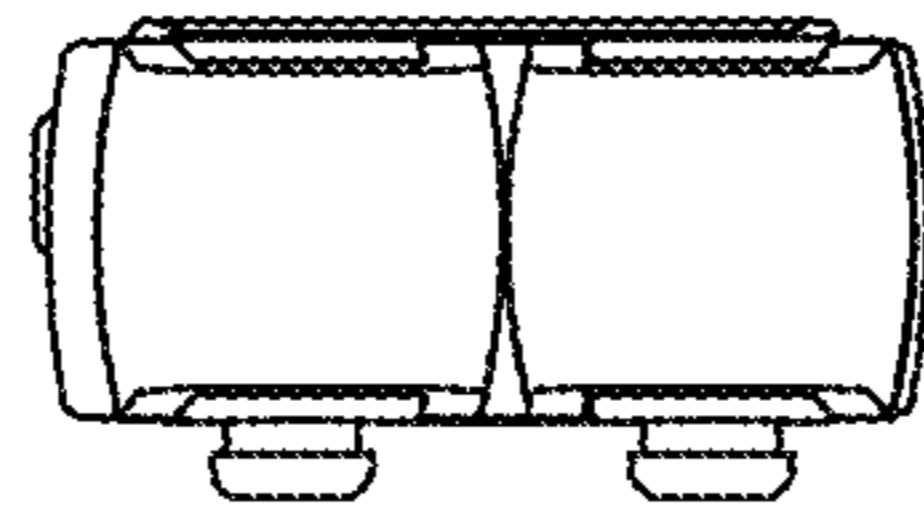


FIG. 6

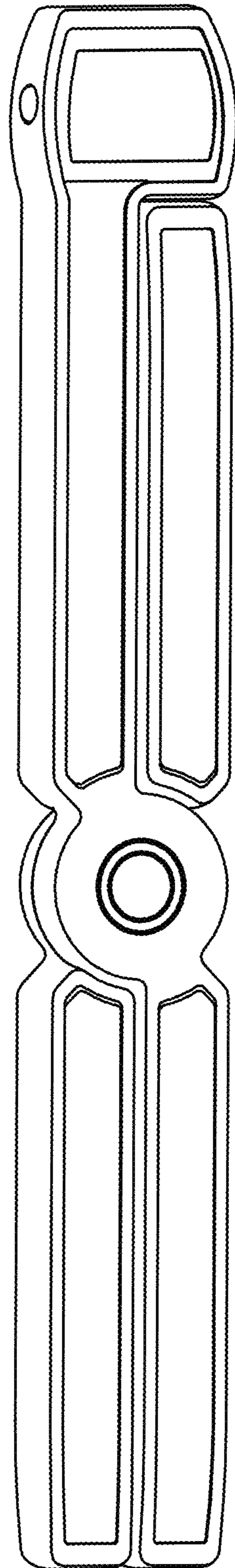


FIG. 7

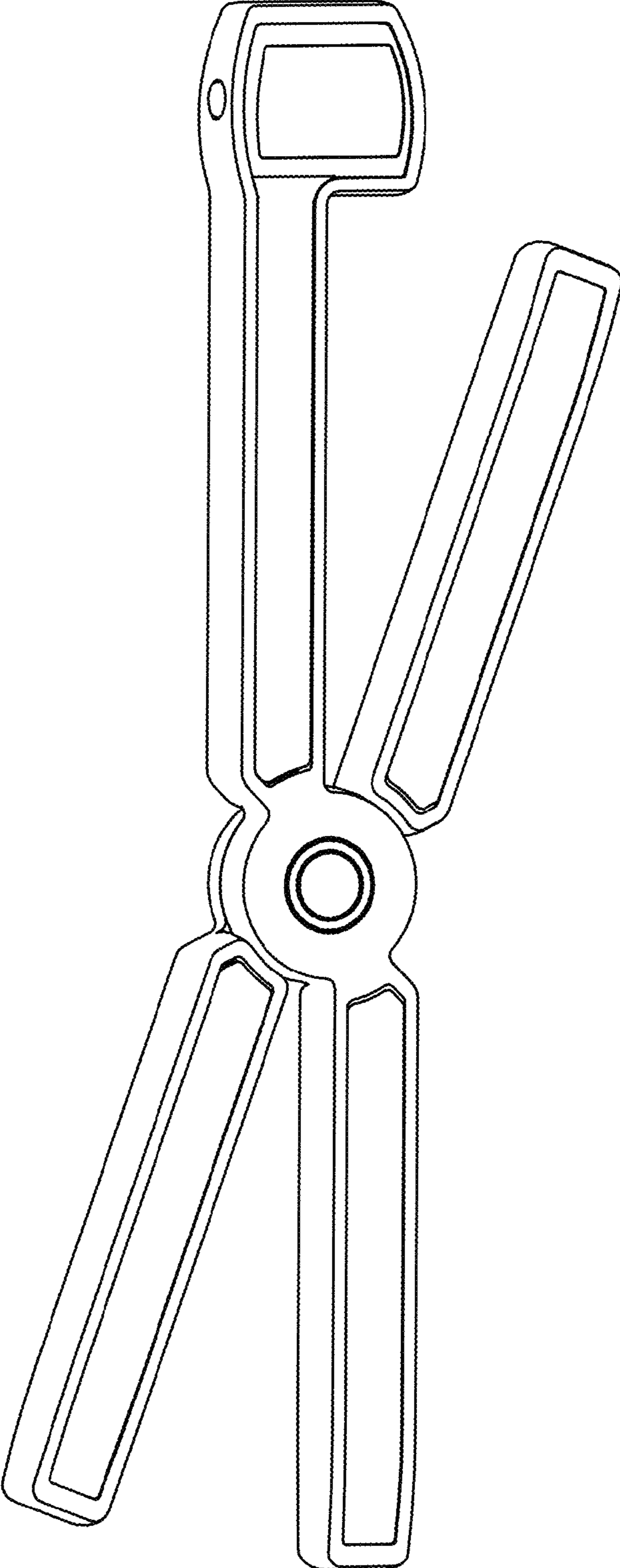


FIG. 8