



US00D740143S

(12) **United States Design Patent**  
**Asano et al.**

(10) **Patent No.:** **US D740,143 S**  
(45) **Date of Patent:** **\*\* Oct. 6, 2015**

- (54) **MICROMETER**
- (71) Applicant: **MITUTOYO CORPORATION**,  
Kawasaki, Kanagawa (JP)
- (72) Inventors: **Yoshiro Asano**, Tokyo (JP); **Sadayuki Matsumiya**, Kawasaki (JP); **Shigeru Ohtani**, Kawasaki (JP); **Atsuya Niwano**, Kawasaki (JP); **Shozaburo Tsuji**, Kawasaki (JP)
- (73) Assignee: **MITUTOYO CORPORATION**,  
Kawasaki-shi (JP)
- (\*\*) Term: **14 Years**
- (21) Appl. No.: **29/514,008**
- (22) Filed: **Jan. 7, 2015**

D273,468 S	4/1984	Ueda et al.
D273,469 S	4/1984	Ueda et al.
4,578,868 A	4/1986	Sasaki et al.
D429,172 S	8/2000	Reymond
6,308,433 B1	10/2001	Takahashi et al.
6,915,591 B2	7/2005	Hayashida et al.
7,013,576 B2	3/2006	Hayashida et al.
7,020,979 B2	4/2006	Hayashida et al.
7,467,480 B2	12/2008	Hayashida et al.
D611,371 S	3/2010	Ohtani et al.
8,091,251 B1	1/2012	Zhang et al.
8,296,966 B2	10/2012	Hayashida et al.
8,413,348 B2	4/2013	Tsuji
8,739,428 B2	6/2014	Emtman
8,833,535 B2 *	9/2014	Saito et al. .... 192/56.61
8,997,369 B2 *	4/2015	Jones ..... 33/813
D730,212 S *	5/2015	Biselx et al. .... D10/73

**Related U.S. Application Data**

- (62) Division of application No. 29/482,736, filed on Feb. 21, 2014, now Pat. No. Des. 729,659.

**Foreign Application Priority Data**

- (30) Sep. 2, 2013 (JP) ..... 2013-020183
- Sep. 2, 2013 (JP) ..... 2013-020231
- Sep. 2, 2013 (JP) ..... 2013-020258
- Sep. 2, 2013 (JP) ..... 2013-020259
- Sep. 2, 2013 (JP) ..... 2013-020260
- Sep. 2, 2013 (JP) ..... 2013-020289
- Sep. 2, 2013 (JP) ..... 2013-020290
- Sep. 2, 2013 (JP) ..... 2013-020291

- (51) **LOC (10) Cl.** ..... **10-04**
- (52) **U.S. Cl.**  
USPC ..... **D10/73**
- (58) **Field of Classification Search**  
USPC ..... D10/73, 74, 79, 80; 33/783-832,  
33/DIG. 12  
CPC ..... G01B 3/20; G01B 3/205; G01B 5/24;  
G01B 3/18; G01B 3/008  
See application file for complete search history.

**References Cited**

**U.S. PATENT DOCUMENTS**

D268,740 S 4/1983 Tanada

**FOREIGN PATENT DOCUMENTS**

CN	302042008 S	8/2012
JP	D701024	3/1987
JP	D1072314	6/2000
JP	D1189771	11/2003
JP	D1191546	12/2003
JP	D1267102	4/2006
JP	D1408521	2/2011

**OTHER PUBLICATIONS**

Schut Geometrische Messtechnik GmbH 2002 Messzeuge and Messsysteme HD14023162, Oct. 31, 2002.  
Mitutoyo Catalog No. 13 42 Measuring Instruments Catalog HC24008504, May 28, 2012.

\* cited by examiner

*Primary Examiner* — Antoine D Davis  
(74) *Attorney, Agent, or Firm* — Oliff PLC

(57) **CLAIM**

The ornamental design for a micrometer, as shown and described.

**DESCRIPTION**

FIG. 1 is a perspective view of the micrometer in a first embodiment;  
FIG. 2 is a front view thereof;  
FIG. 3 is a top view thereof;

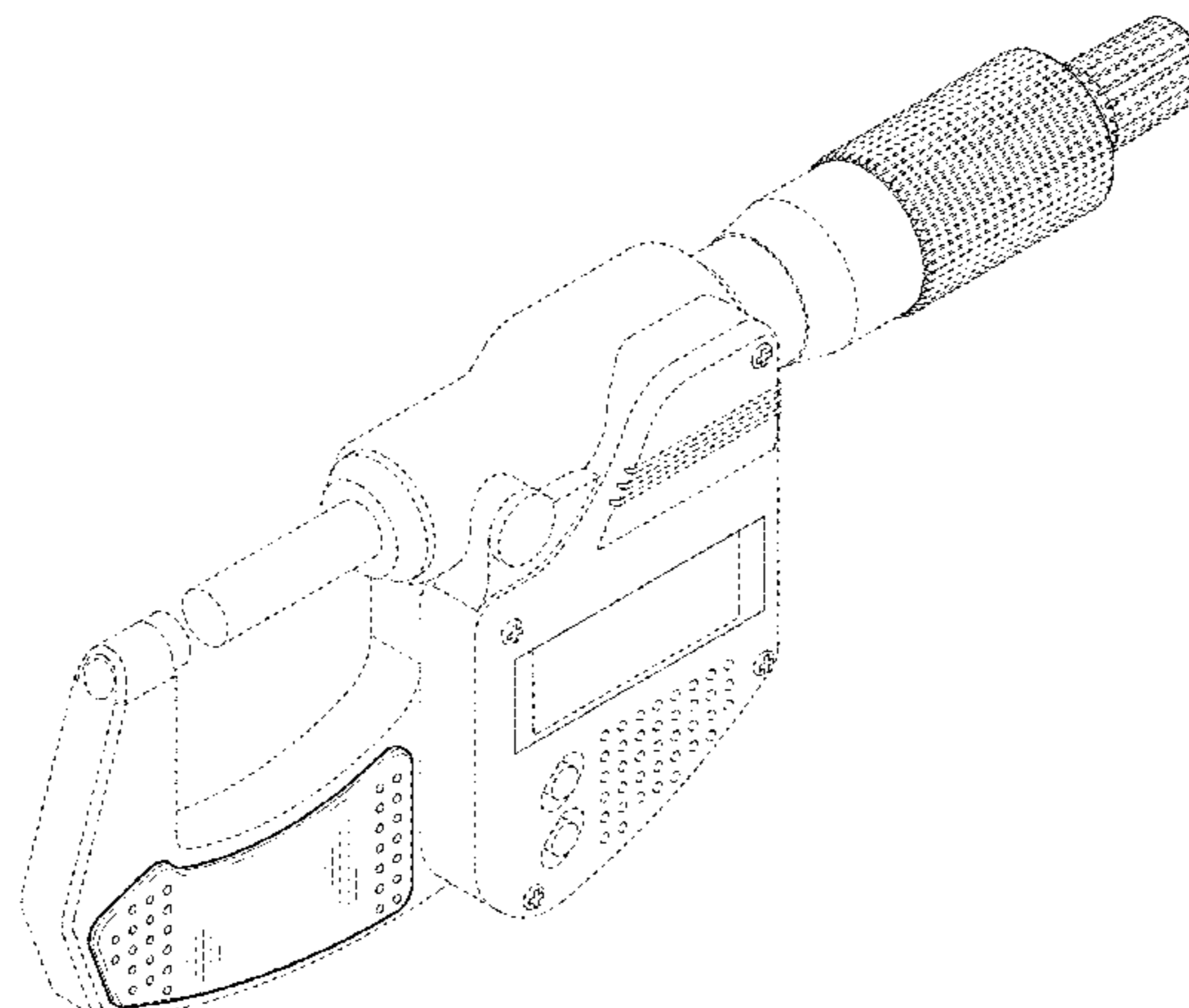


FIG. 4 is a left side view thereof;  
FIG. 5 is a right side view thereof;  
FIG. 6 is a rear view thereof;  
FIG. 7 is a bottom view thereof;  
FIG. 8 is a second perspective view thereof;  
FIG. 9 is a perspective view of the micrometer in a second embodiment;  
FIG. 10 is a front view thereof;  
FIG. 11 is a top view thereof;  
FIG. 12 is a right side view thereof;  
FIG. 13 is a left side view thereof;  
FIG. 14 is a rear view thereof;  
FIG. 15 is a bottom view thereof;  
FIG. 16 is a second perspective view thereof;  
FIG. 17 is a perspective view of the micrometer in a third embodiment;  
FIG. 18 is a front view thereof;  
FIG. 19 is a top view thereof;  
FIG. 20 is a right side view thereof;  
FIG. 21 is a left side view thereof;

FIG. 22 is a rear view thereof;  
FIG. 23 is a bottom view thereof;  
FIG. 24 is a second perspective view thereof;  
FIG. 25 is a perspective view of the micrometer in an fourth embodiment;  
FIG. 26 is a front view thereof;  
FIG. 27 is a top view thereof;  
FIG. 28 is a left side view thereof;  
FIG. 29 is a right side view thereof;  
FIG. 30 is a rear view thereof;  
FIG. 31 is a bottom view thereof;  
FIG. 32 is a second perspective view thereof;  
FIG. 33 is an enlarged view of a portion of each embodiment;  
and,  
FIG. 34 is a cross-sectional view taken through the enlarged portion seen in FIG. 33.  
The broken lines depict environmental subject matter only and form no part of the claimed design.

**1 Claim, 21 Drawing Sheets**

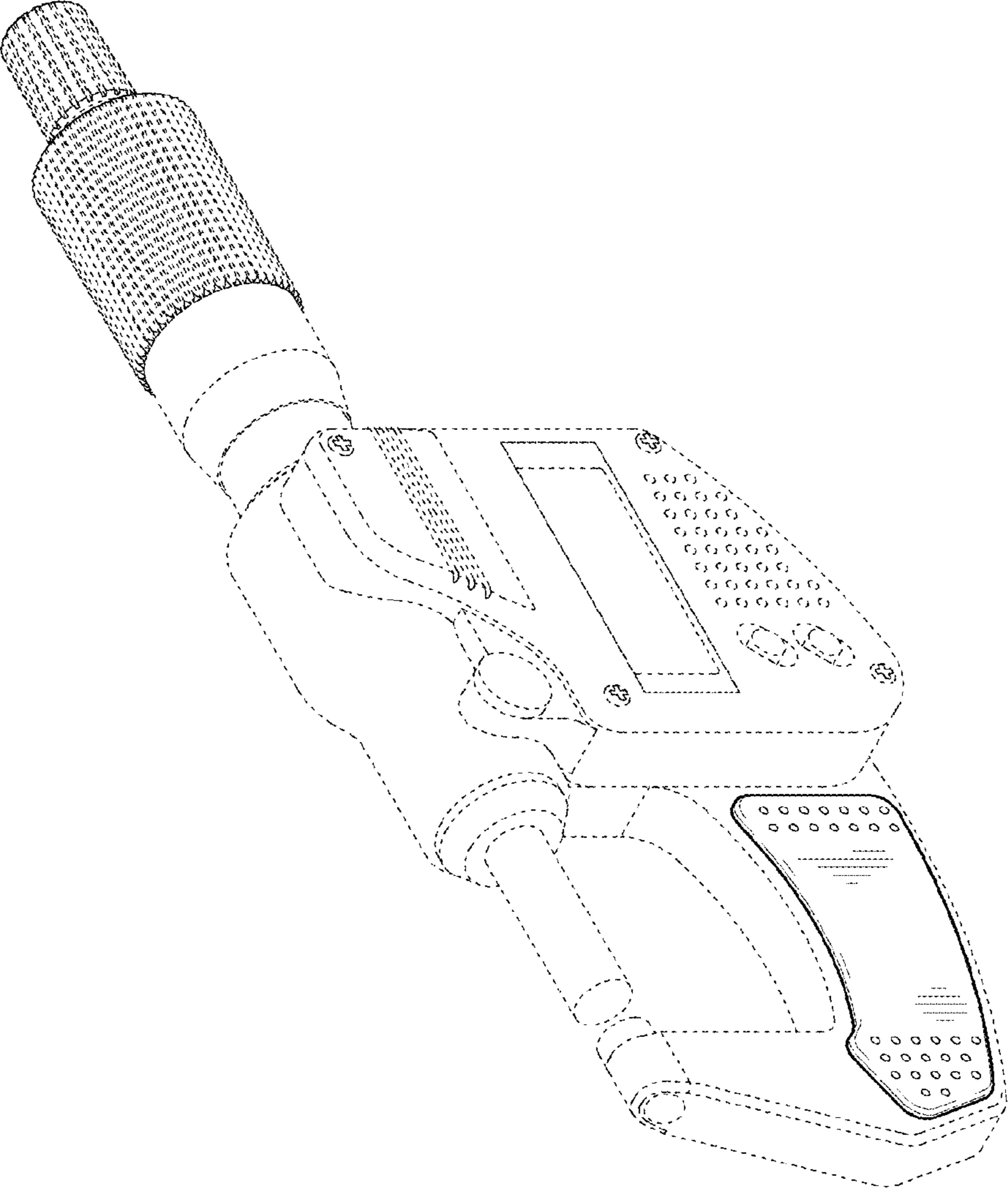


FIG. 1

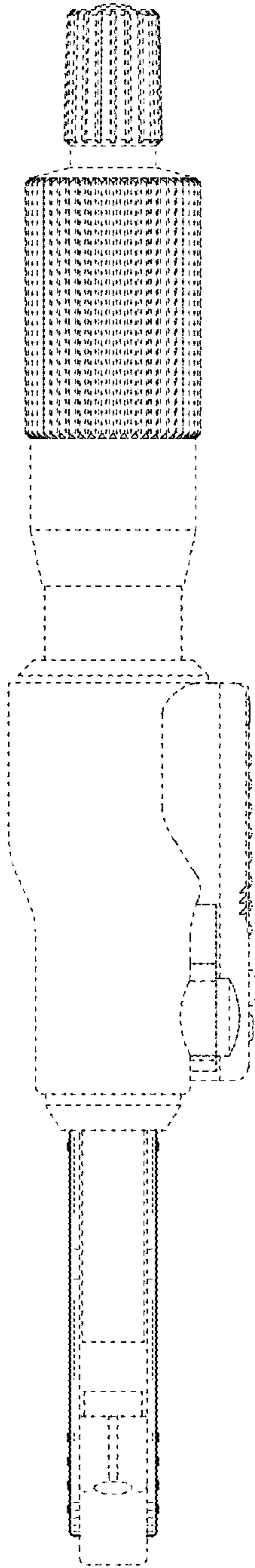


FIG. 3

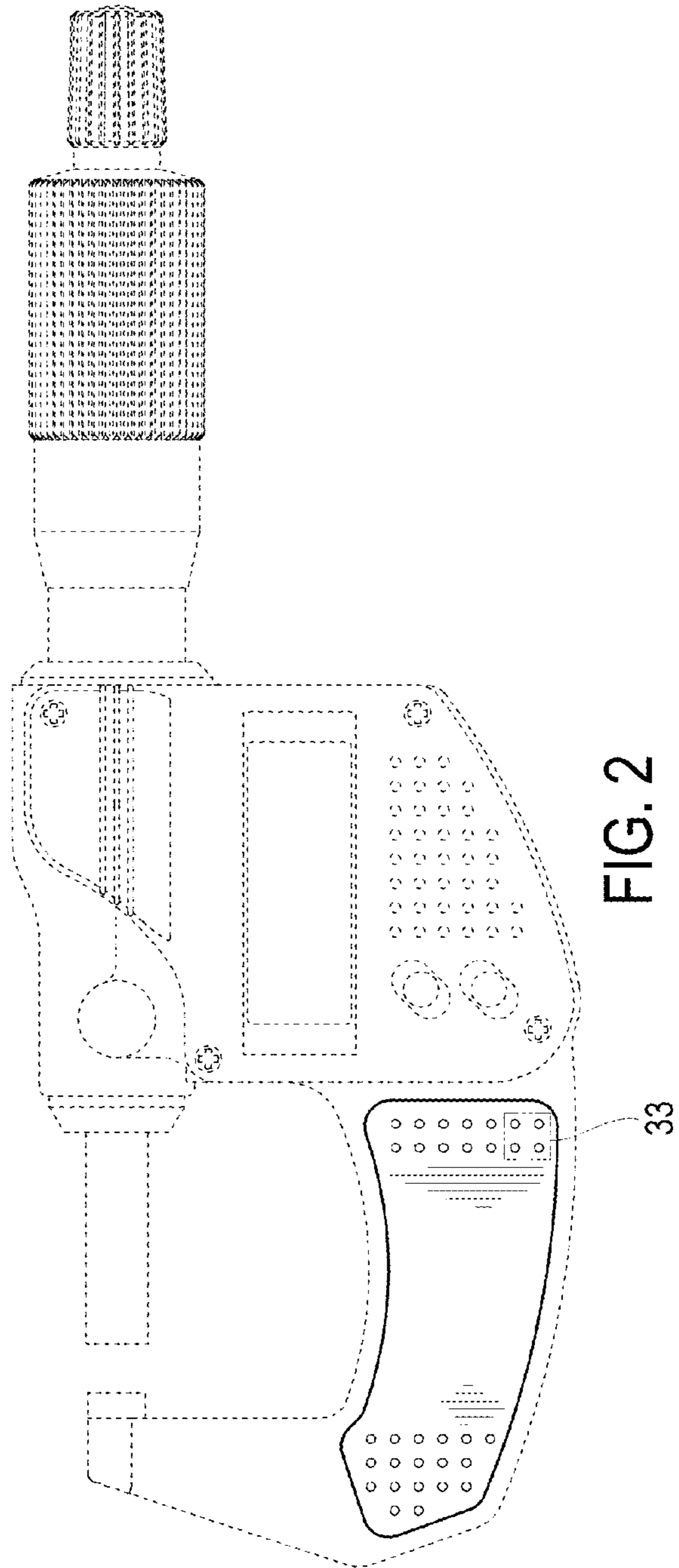


FIG. 2

33

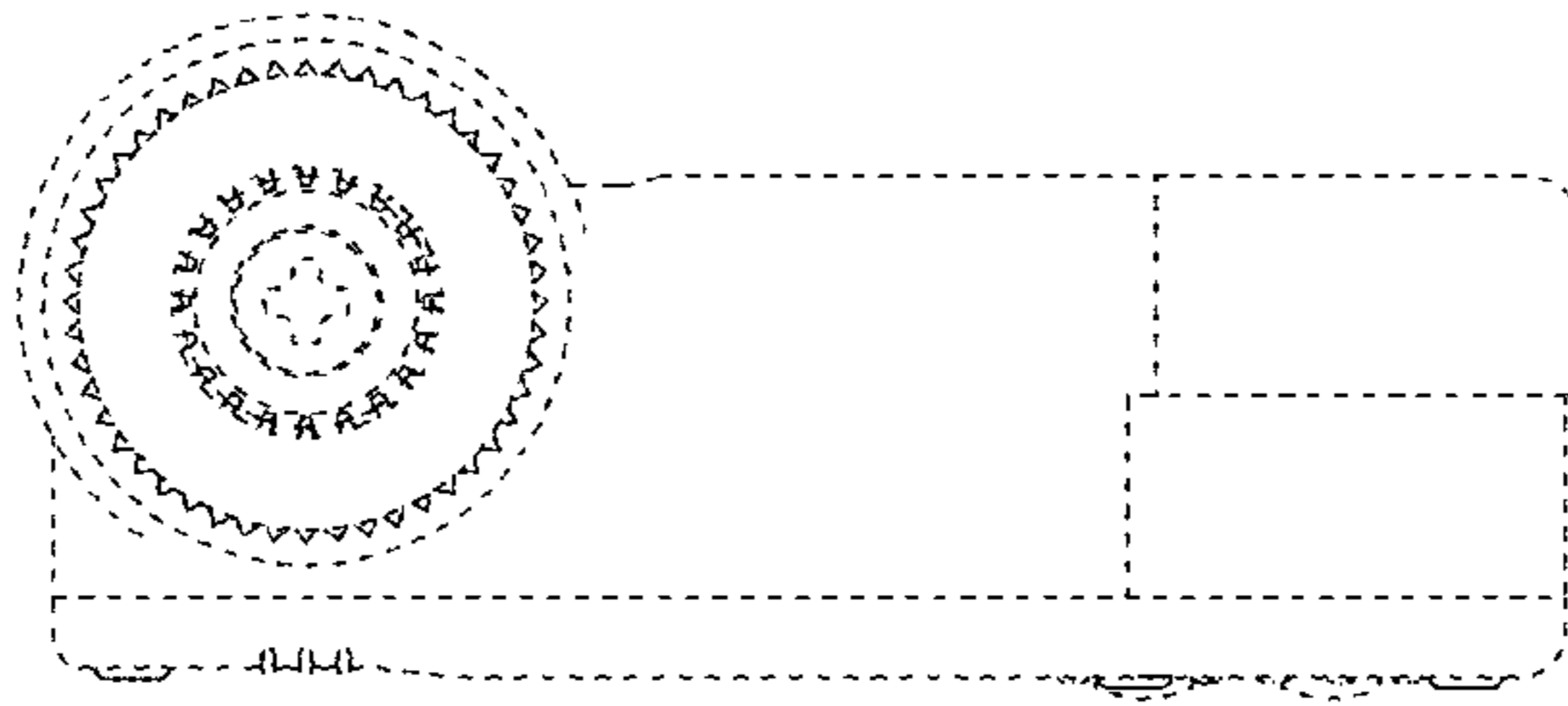


FIG. 5

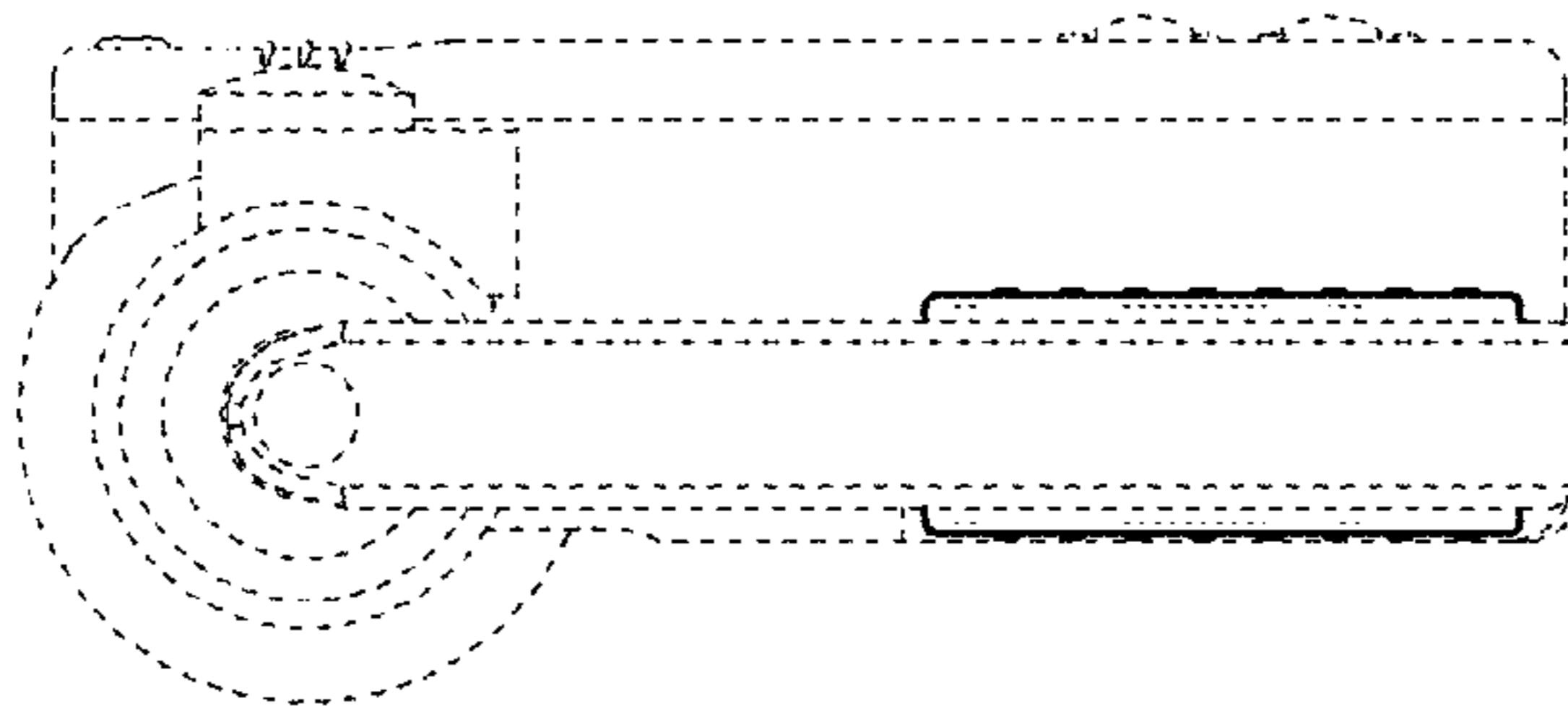


FIG. 4

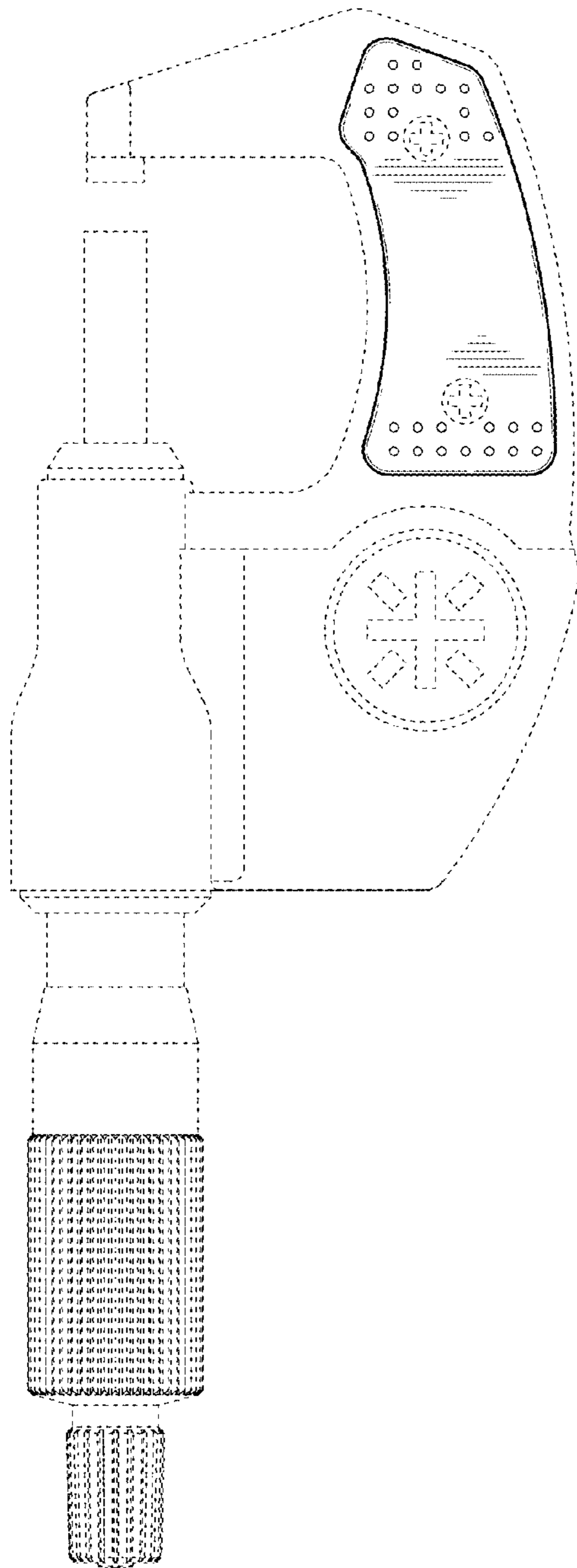


FIG. 6

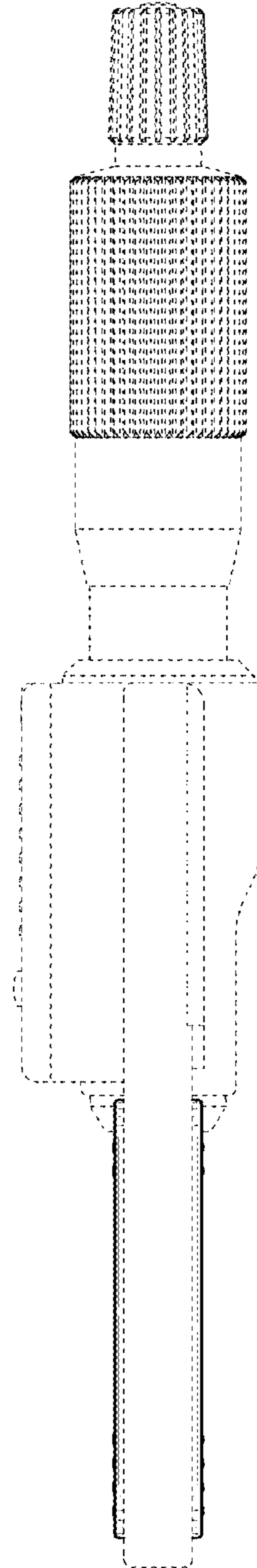


FIG. 7

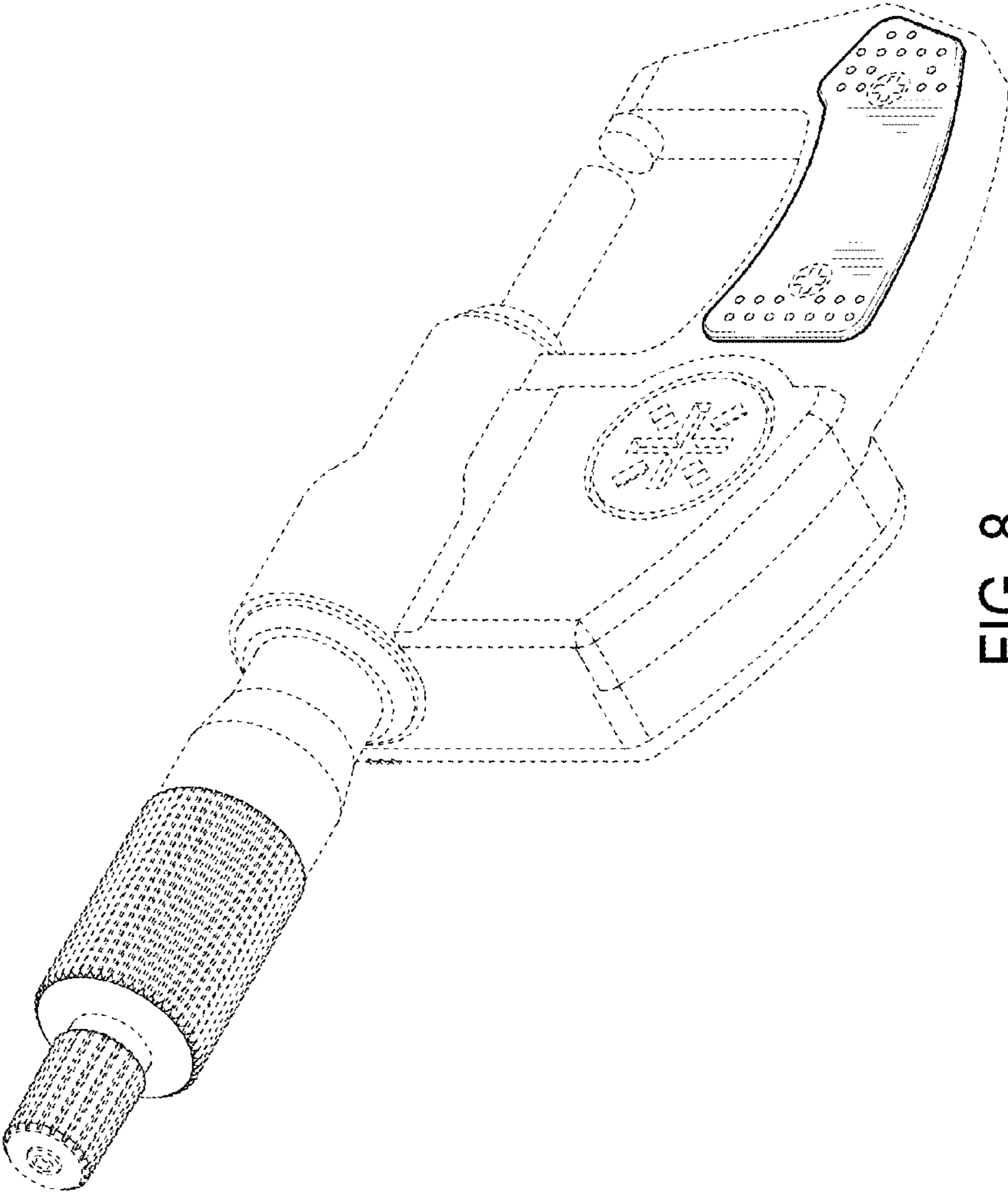


FIG. 8

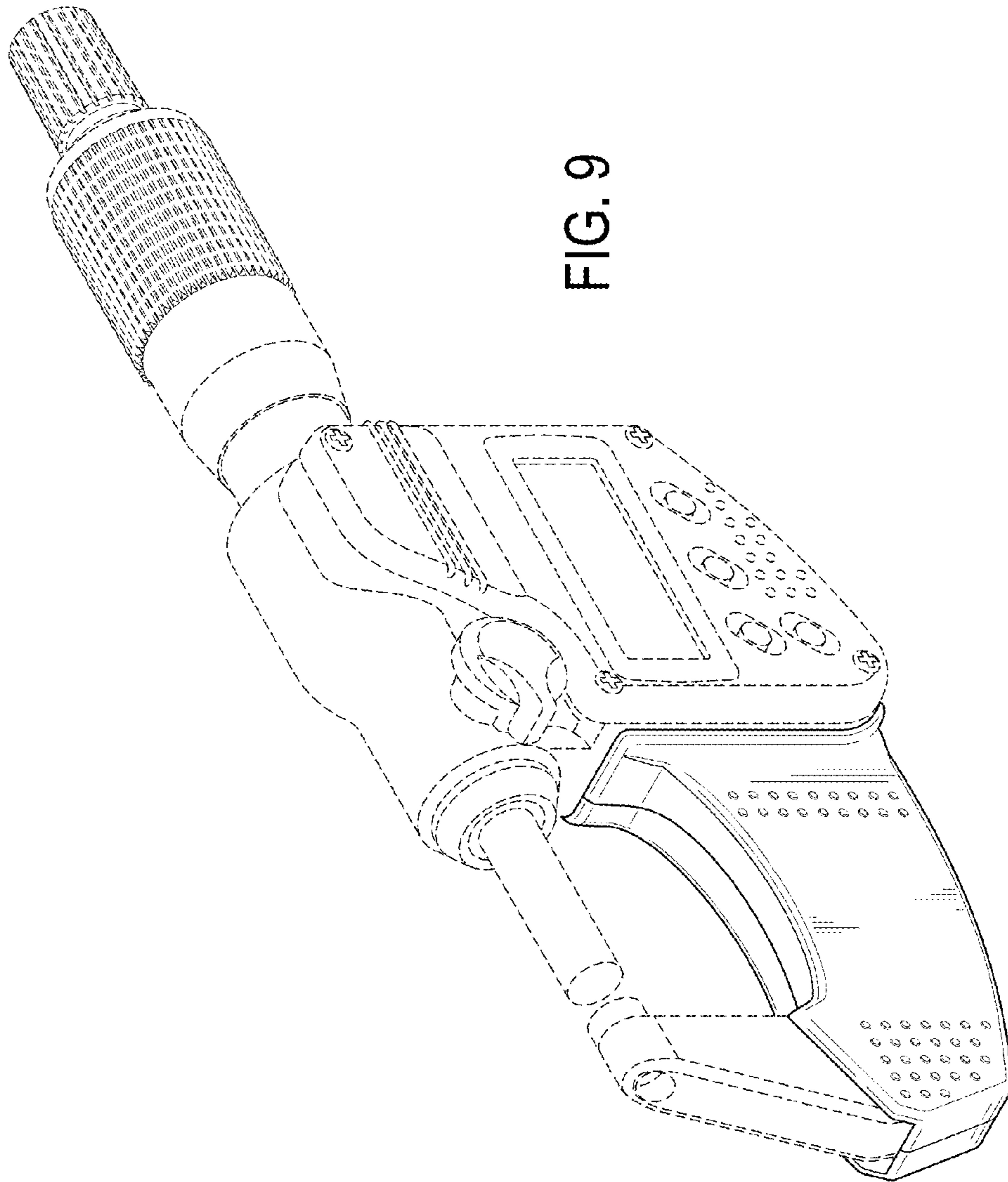


FIG. 9



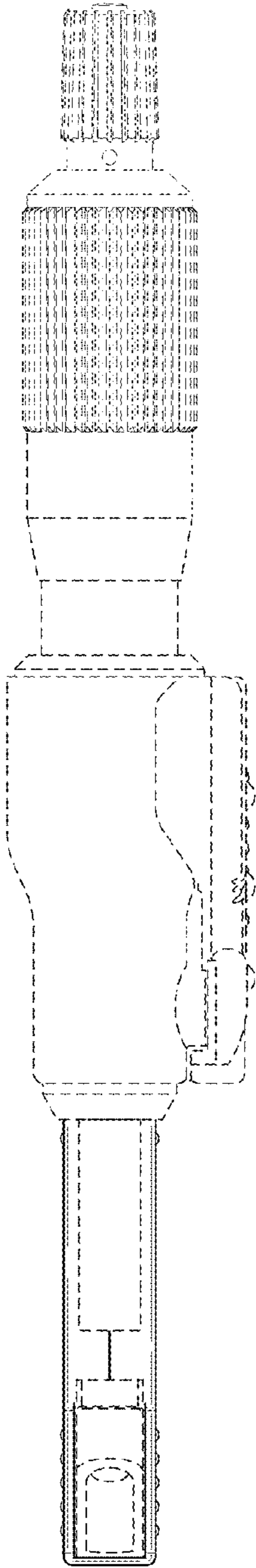


FIG. 11

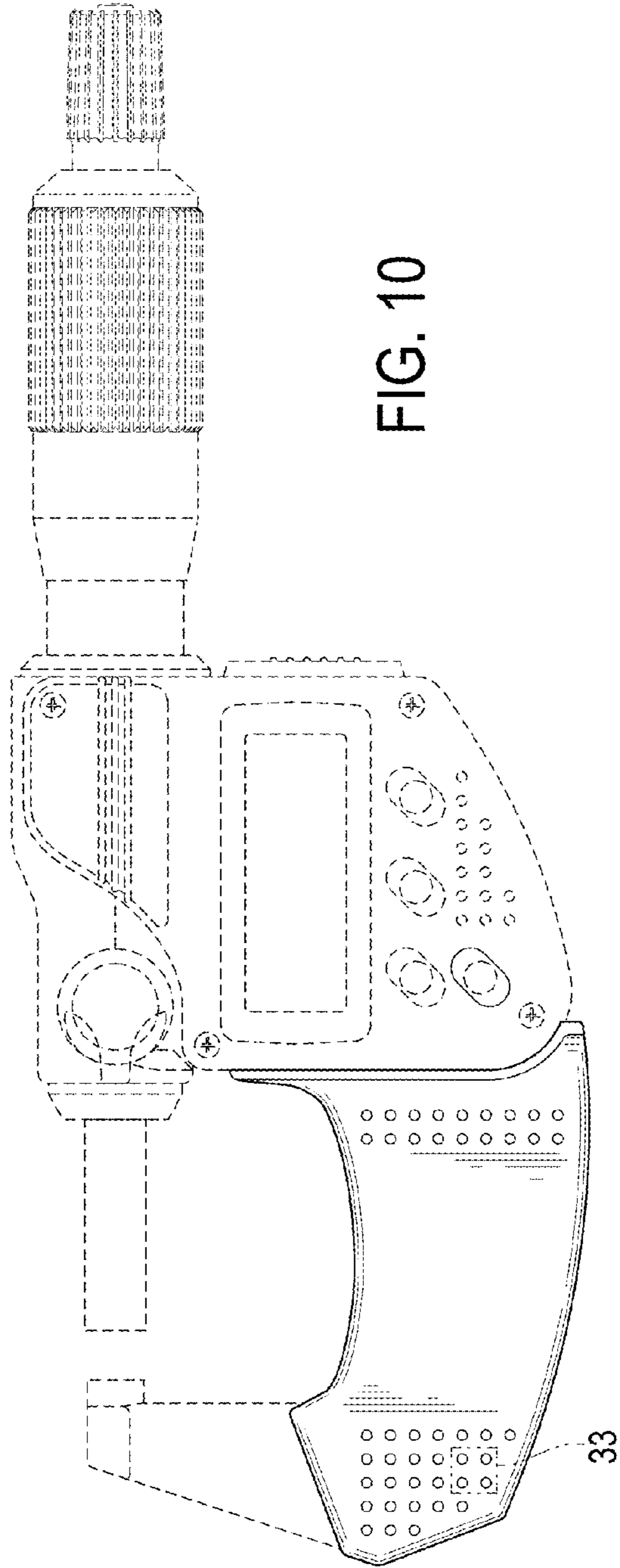


FIG. 10

33

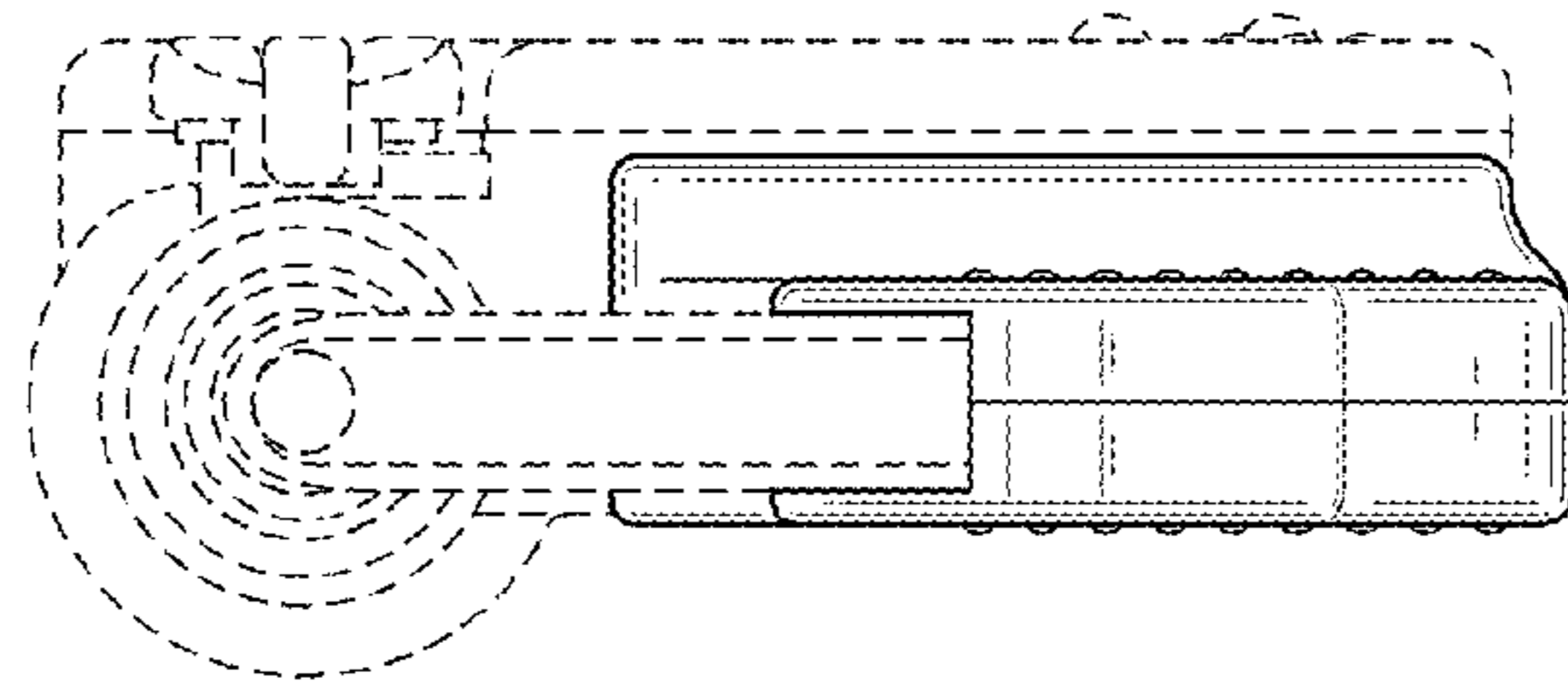


FIG. 13

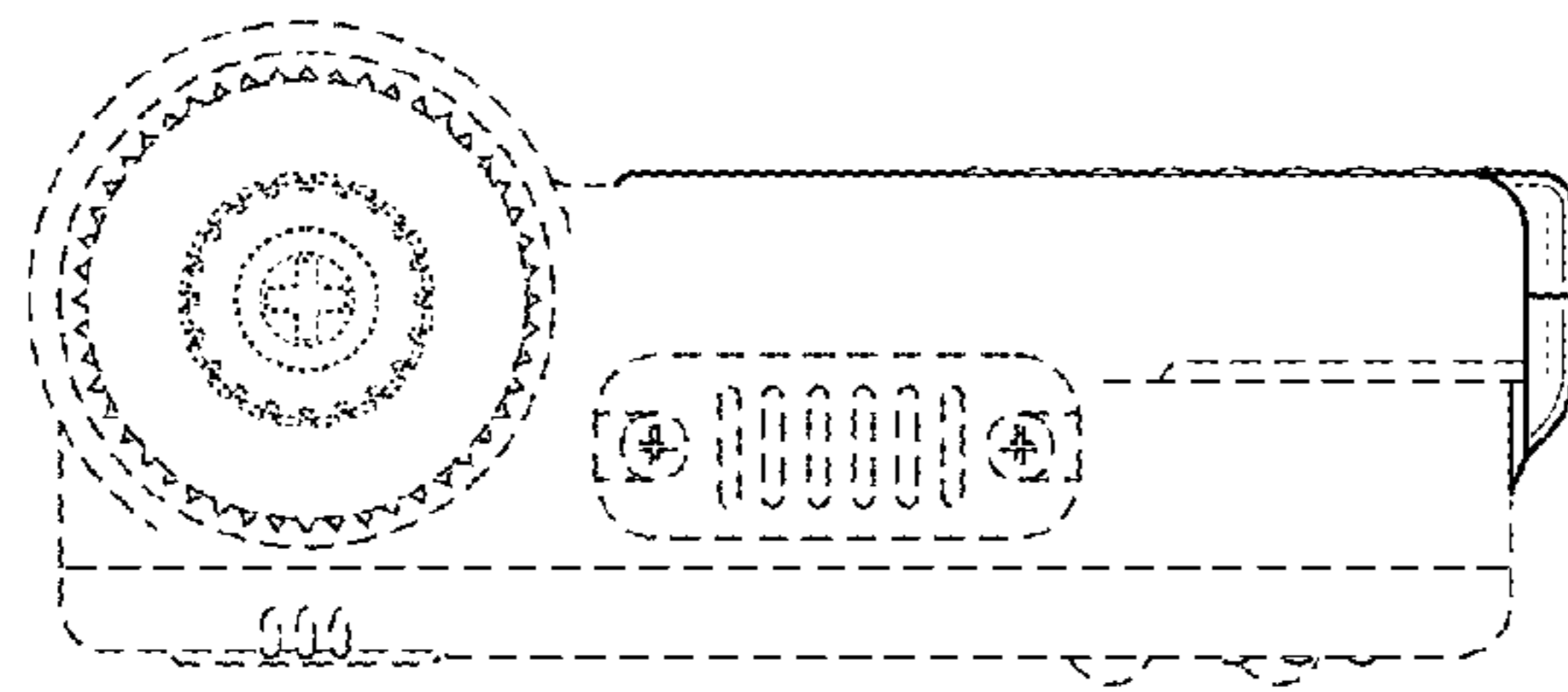


FIG. 12

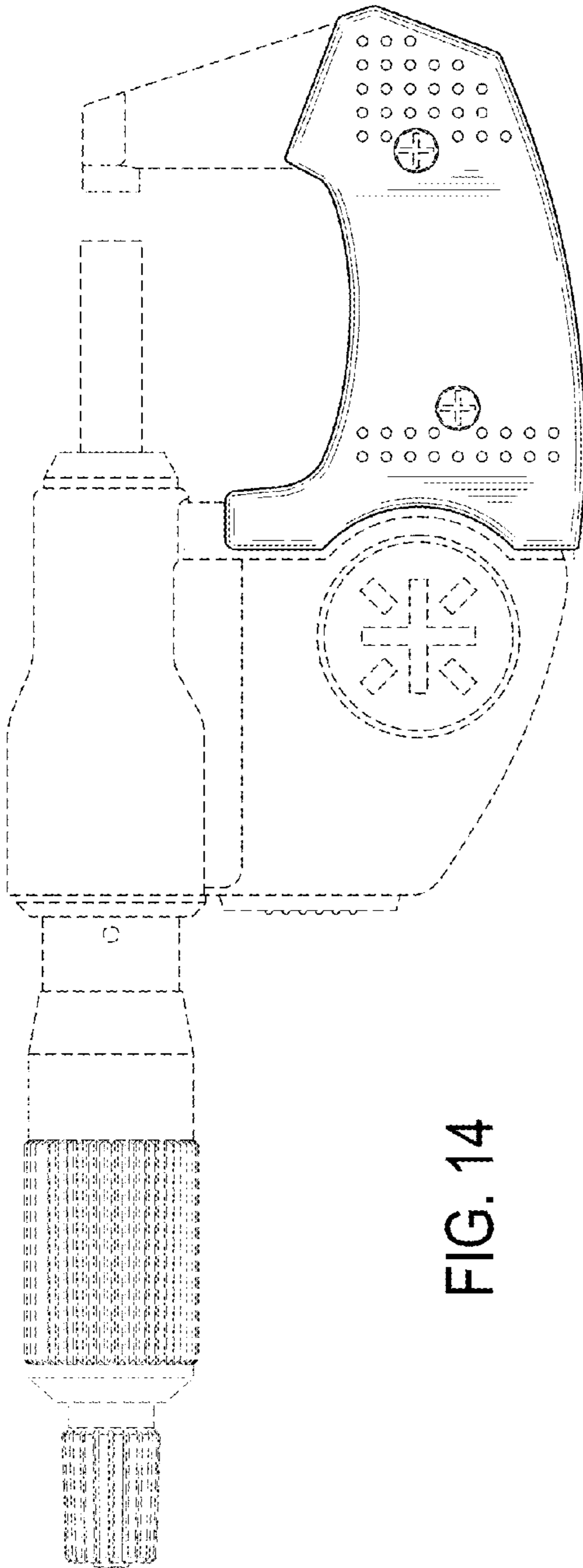


FIG. 14

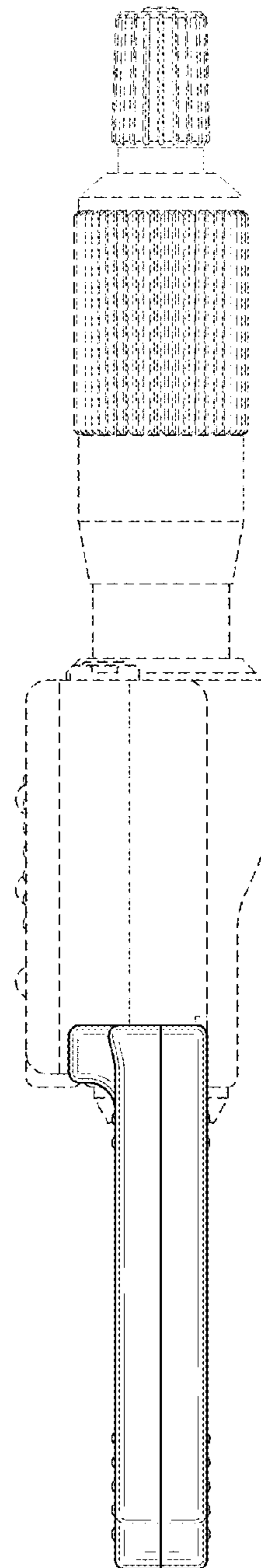


FIG. 15

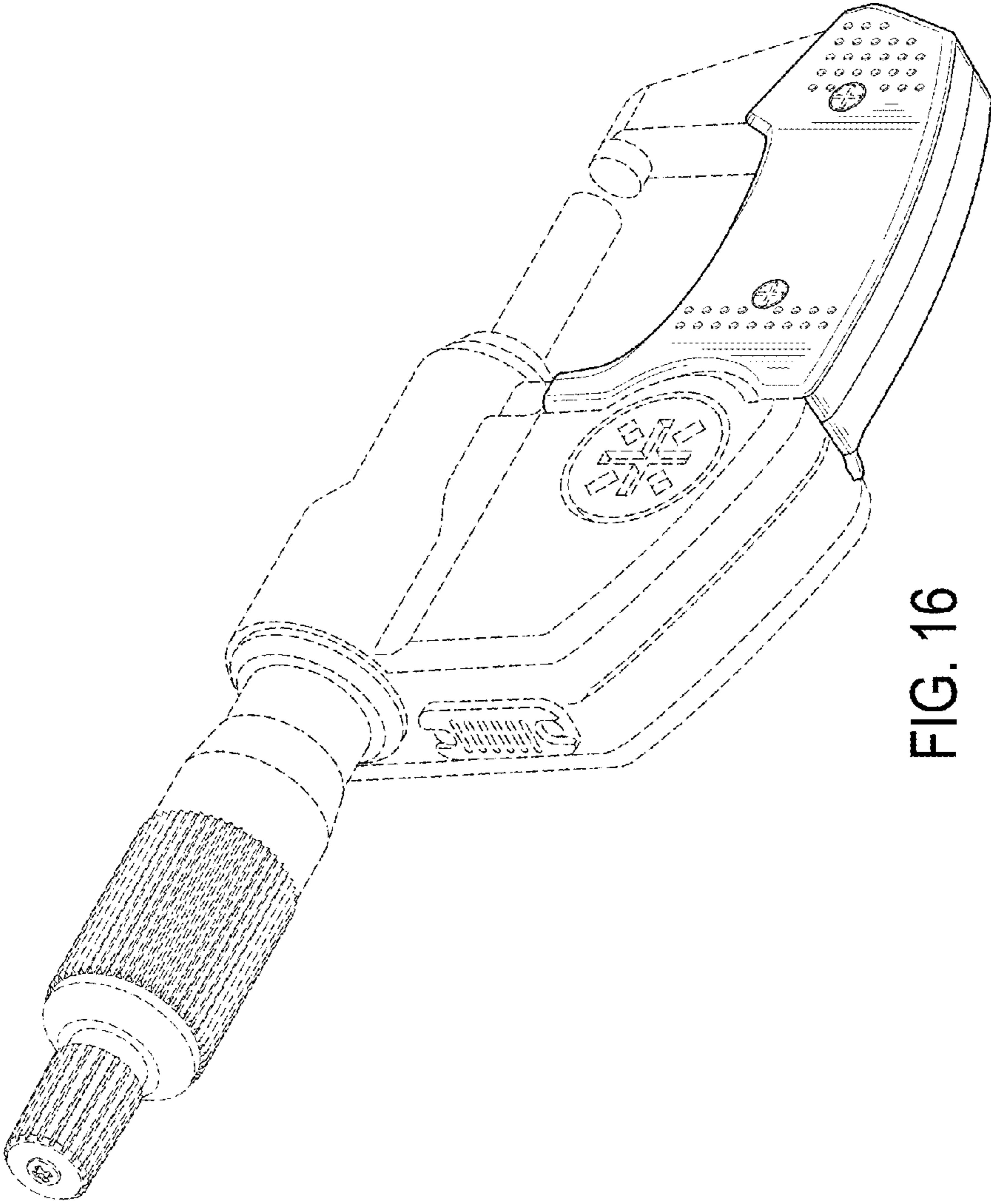


FIG. 16

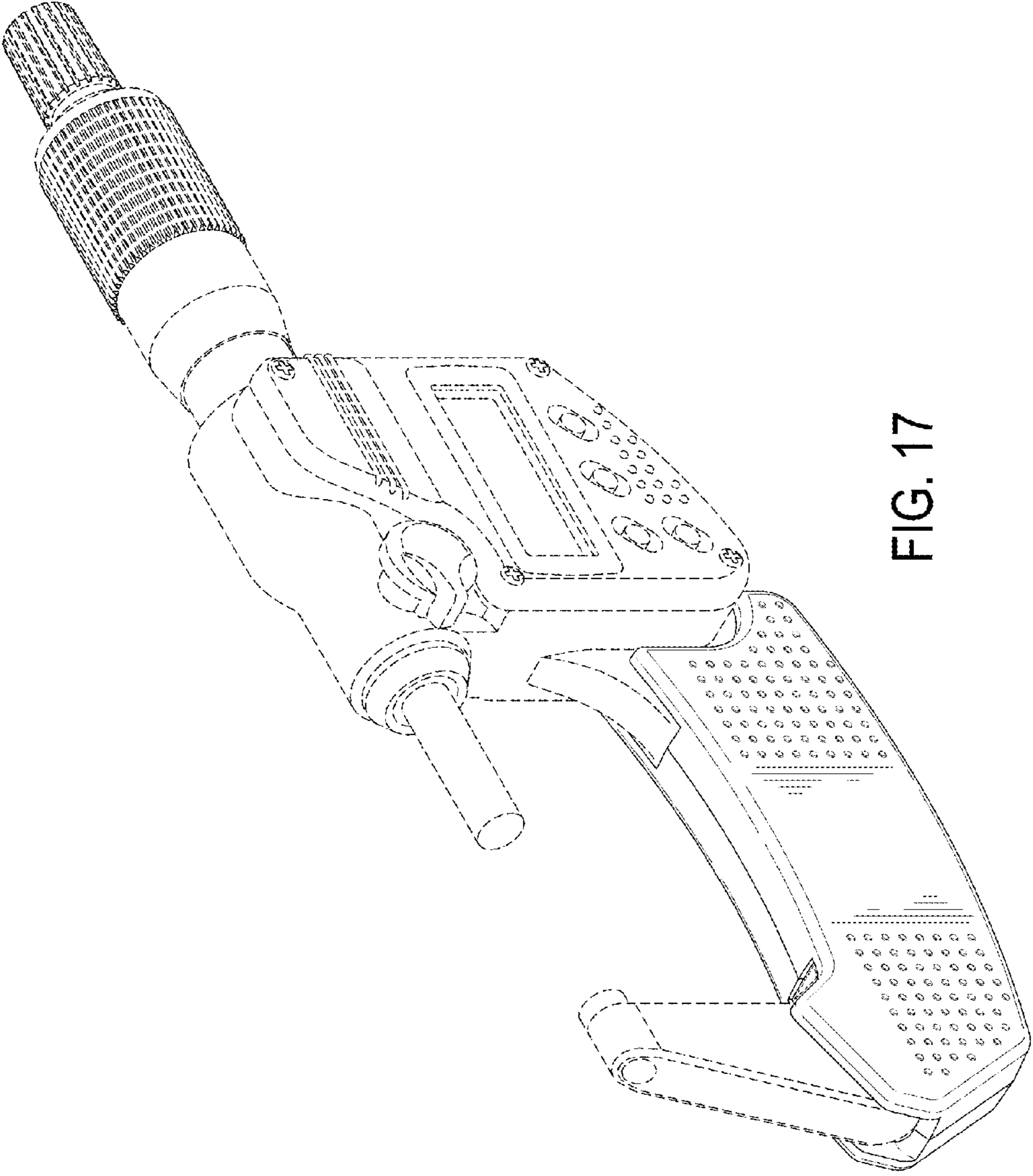


FIG. 17

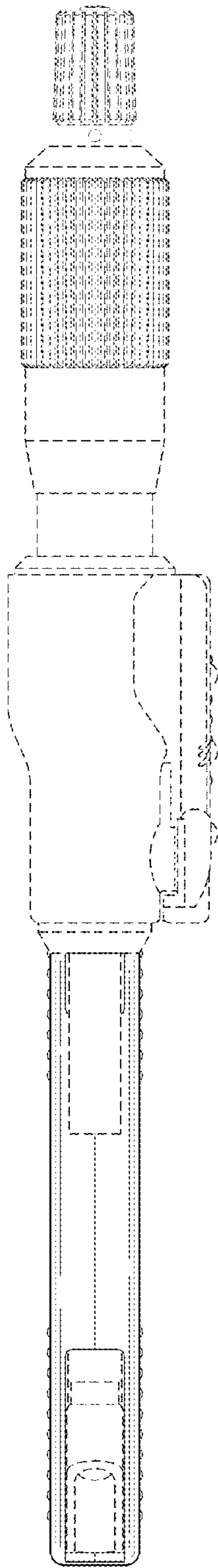


FIG. 19

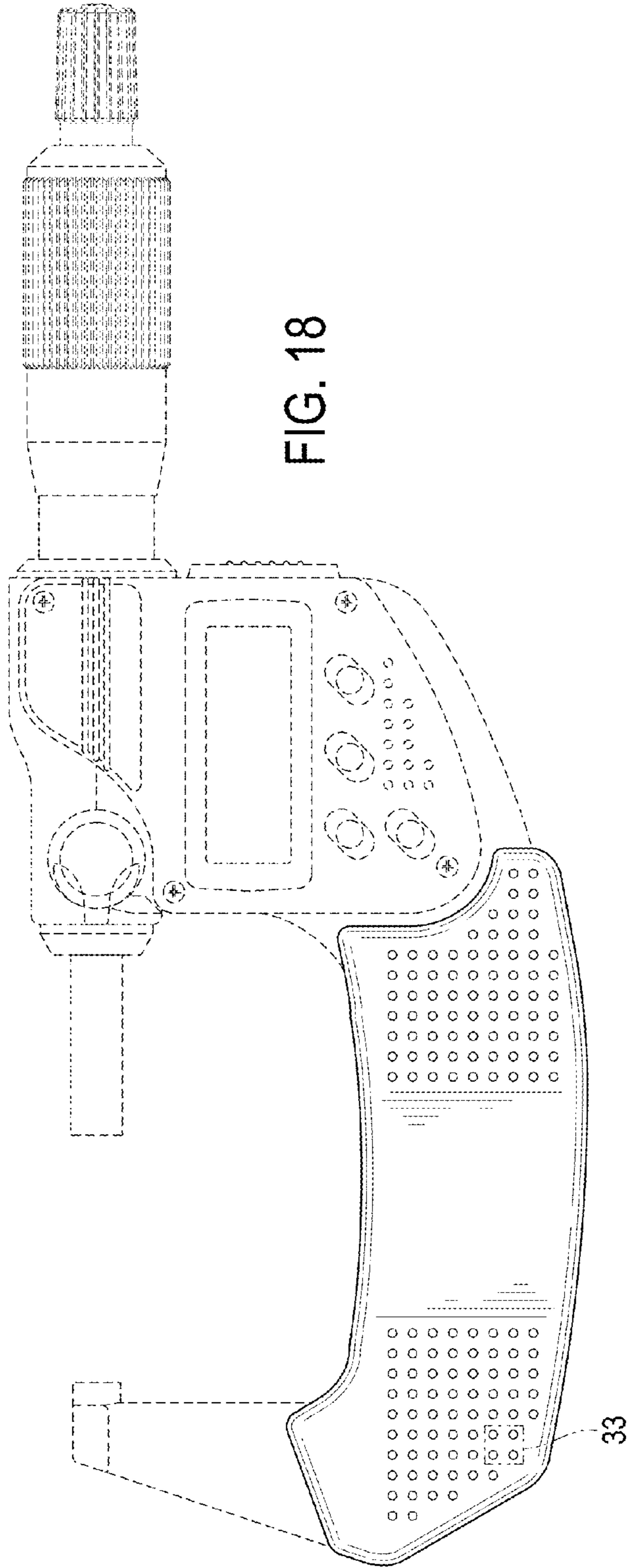


FIG. 18

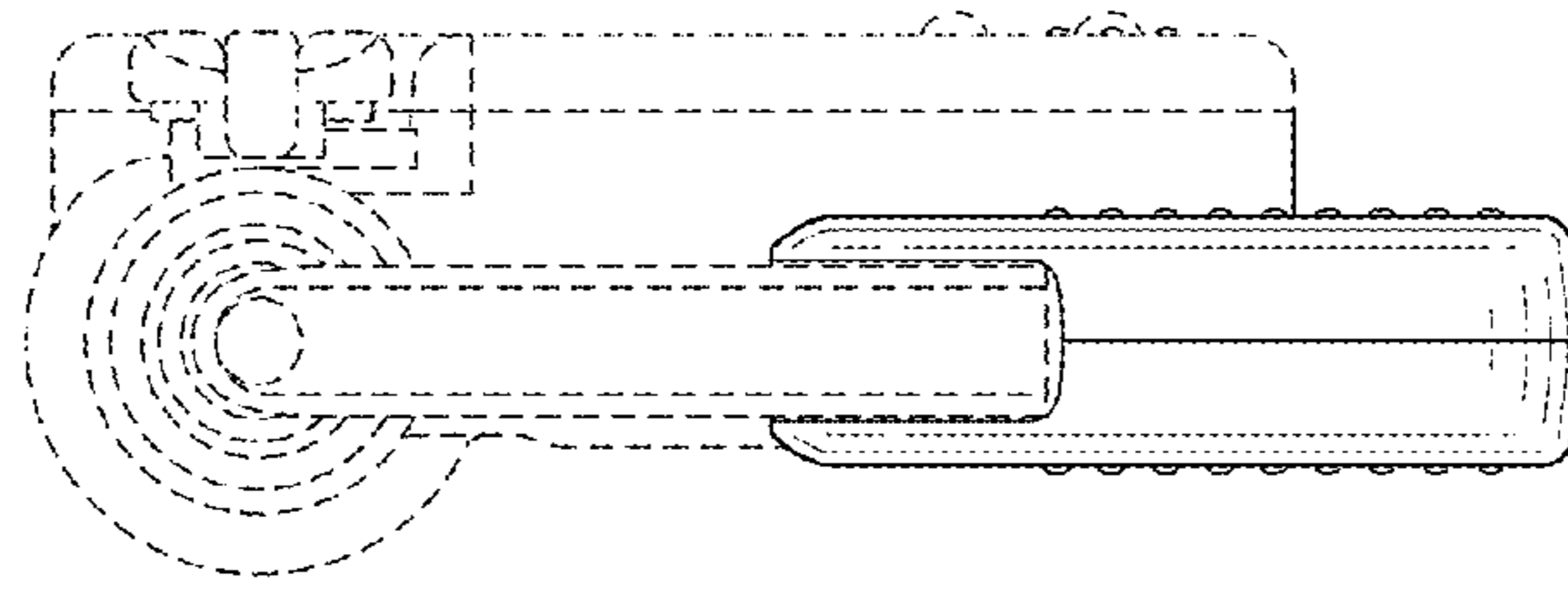


FIG. 21

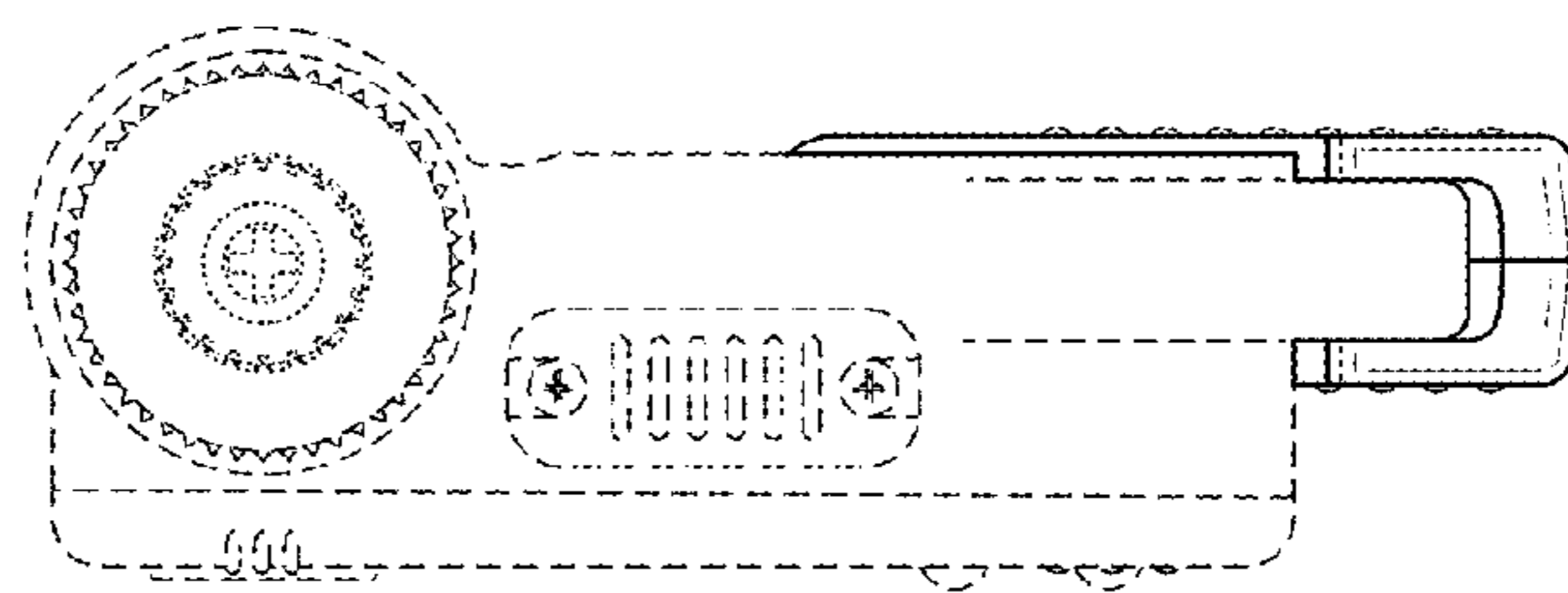


FIG. 20

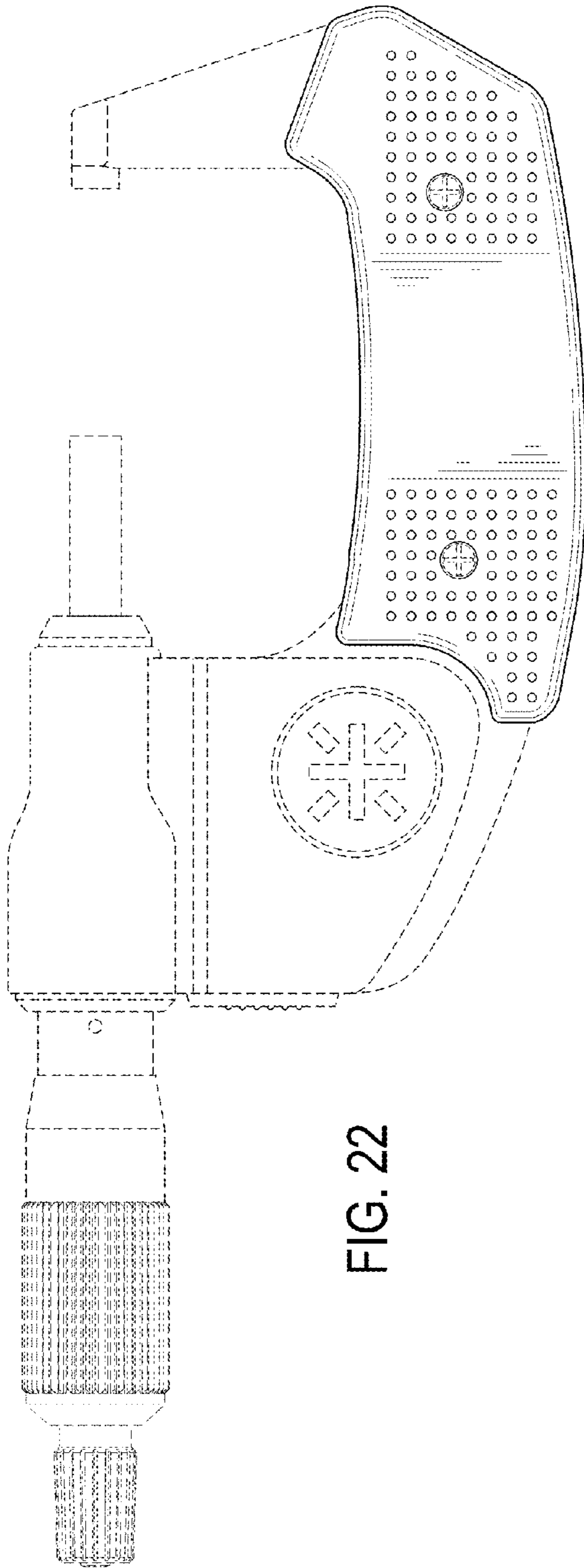


FIG. 22

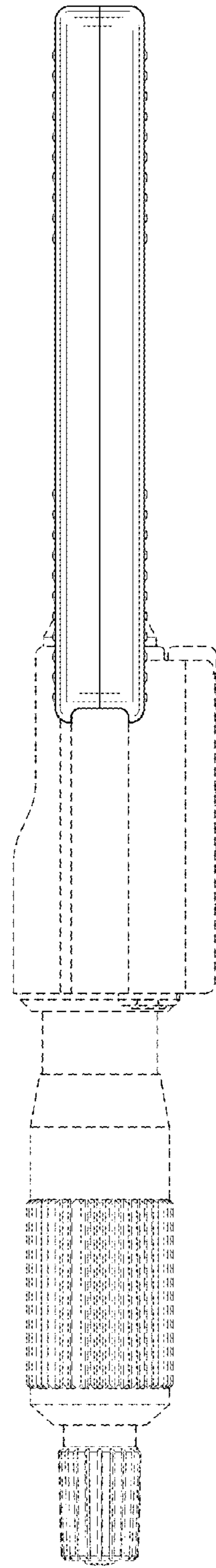


FIG. 23



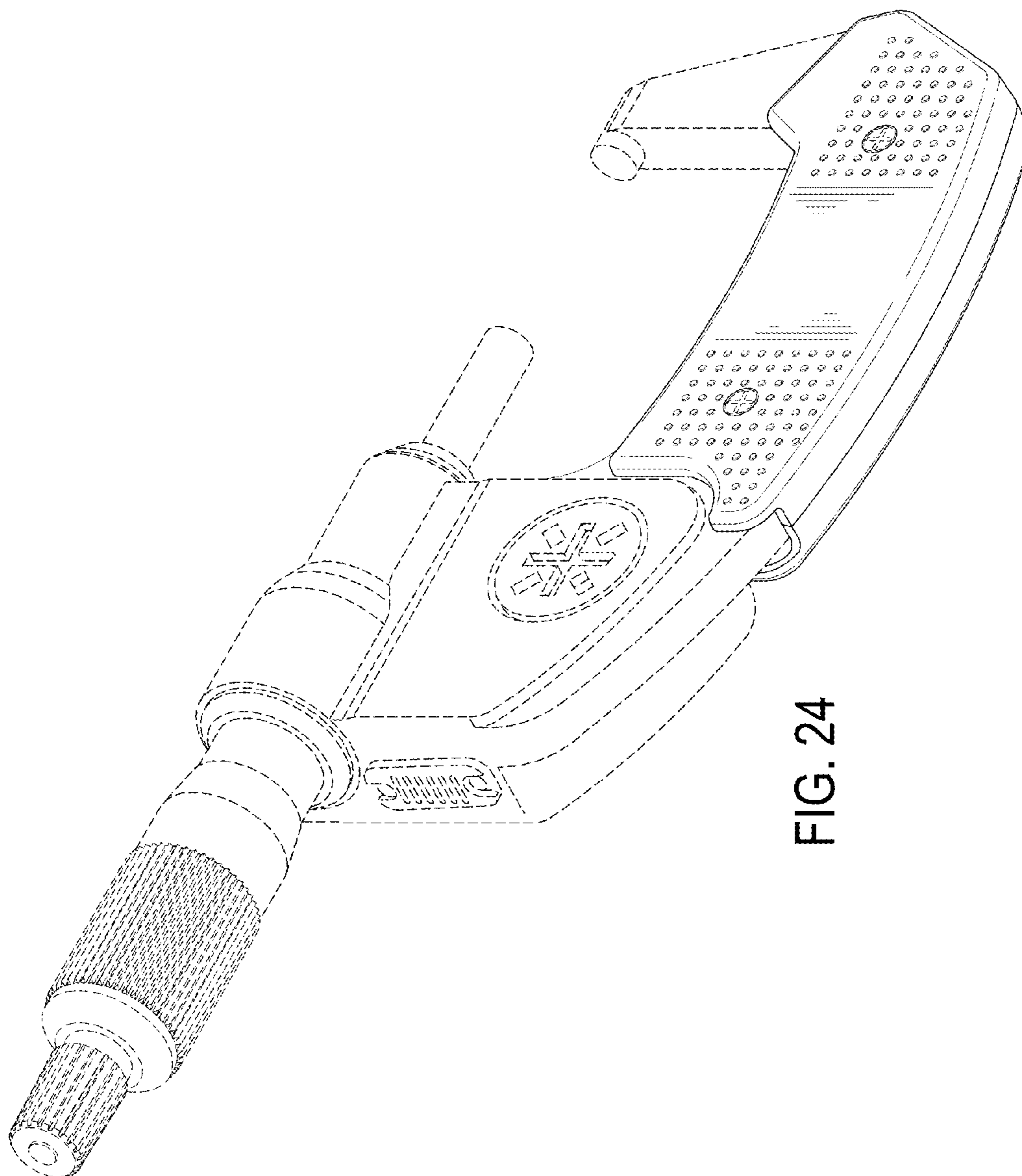


FIG. 24

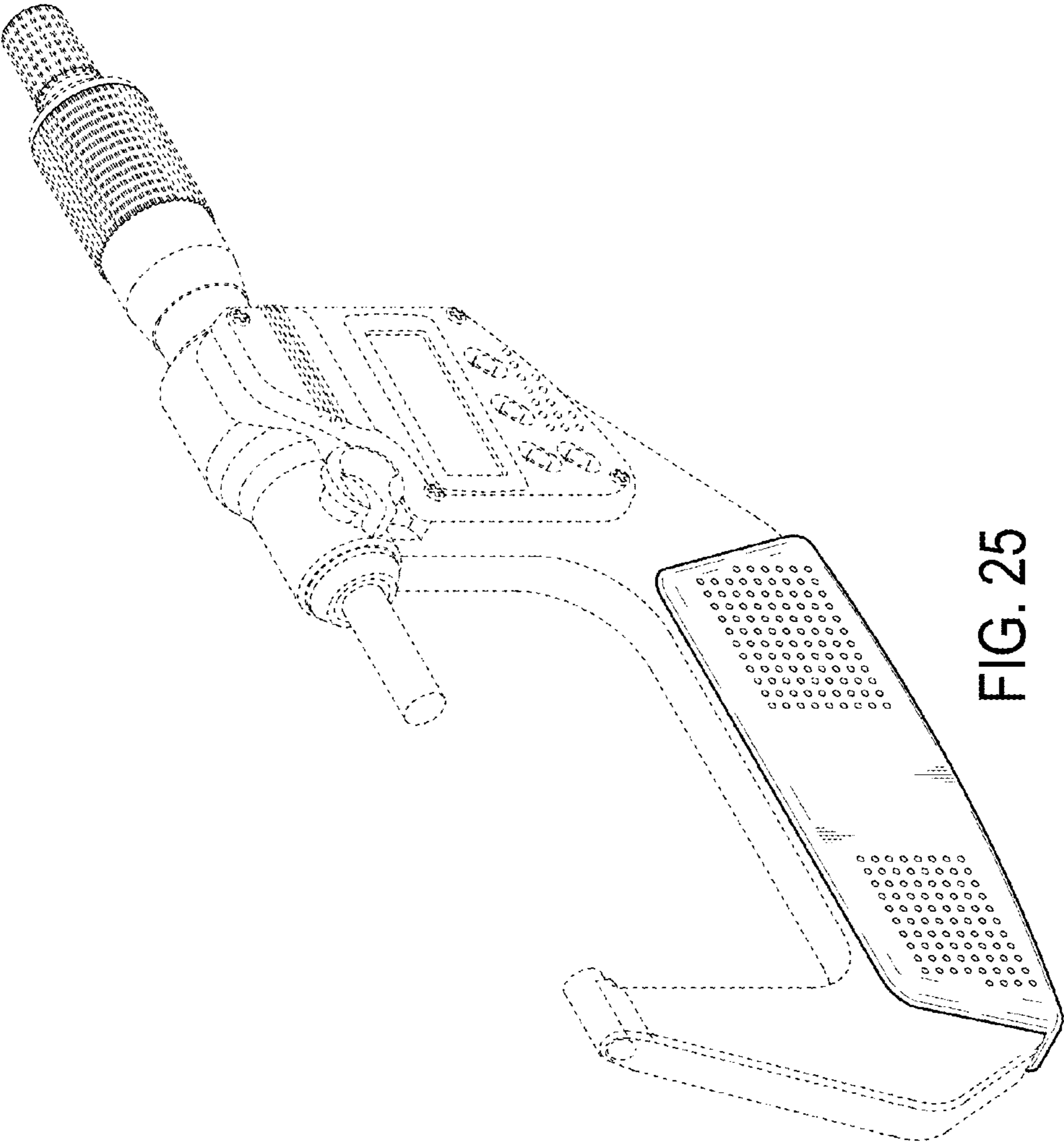


FIG. 25

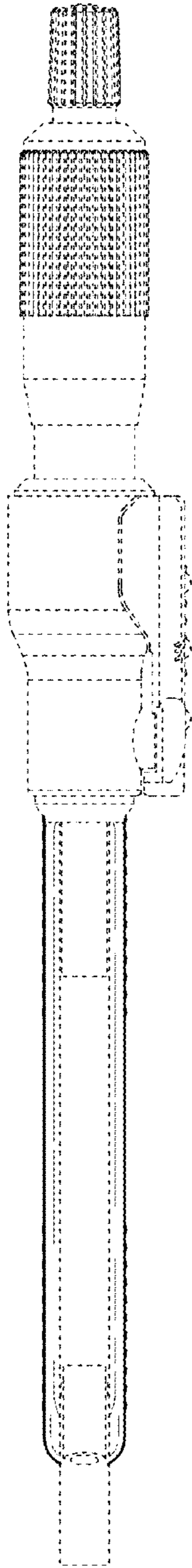


FIG. 27

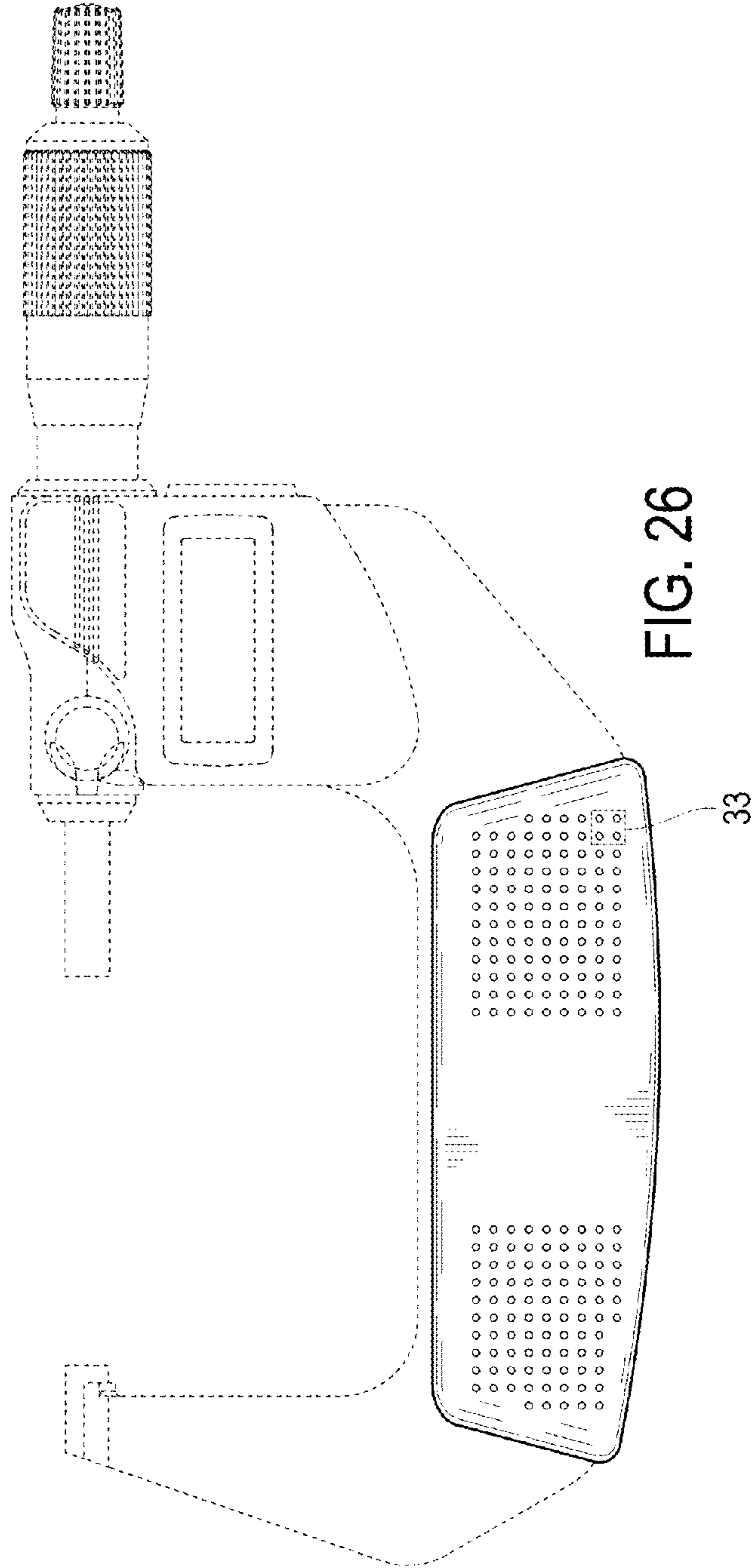


FIG. 26

33

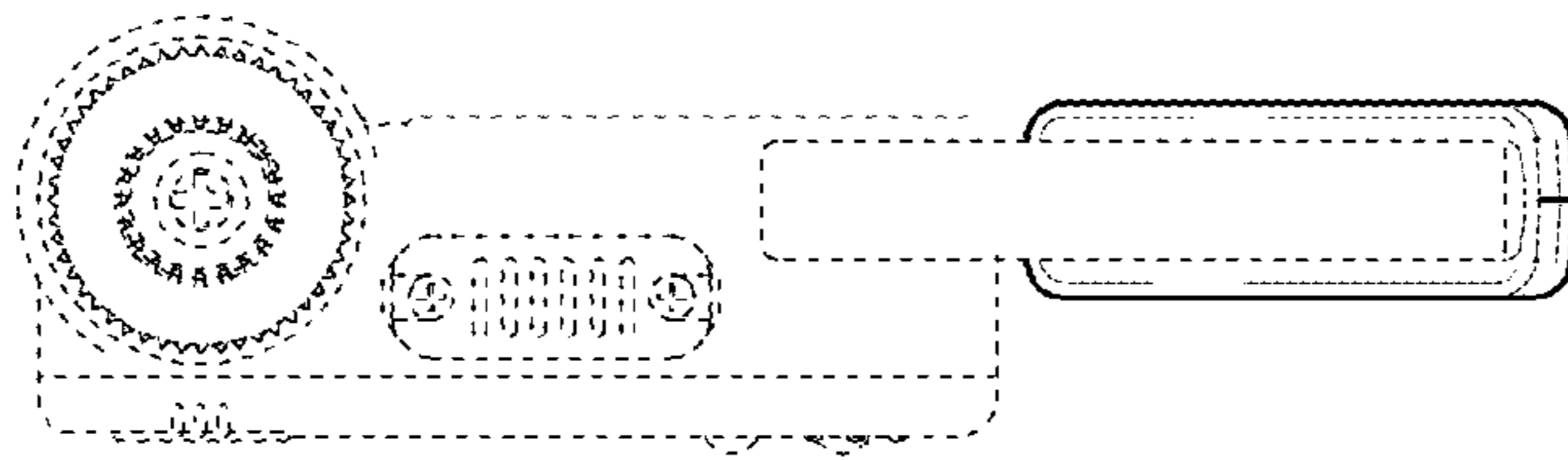


FIG. 29

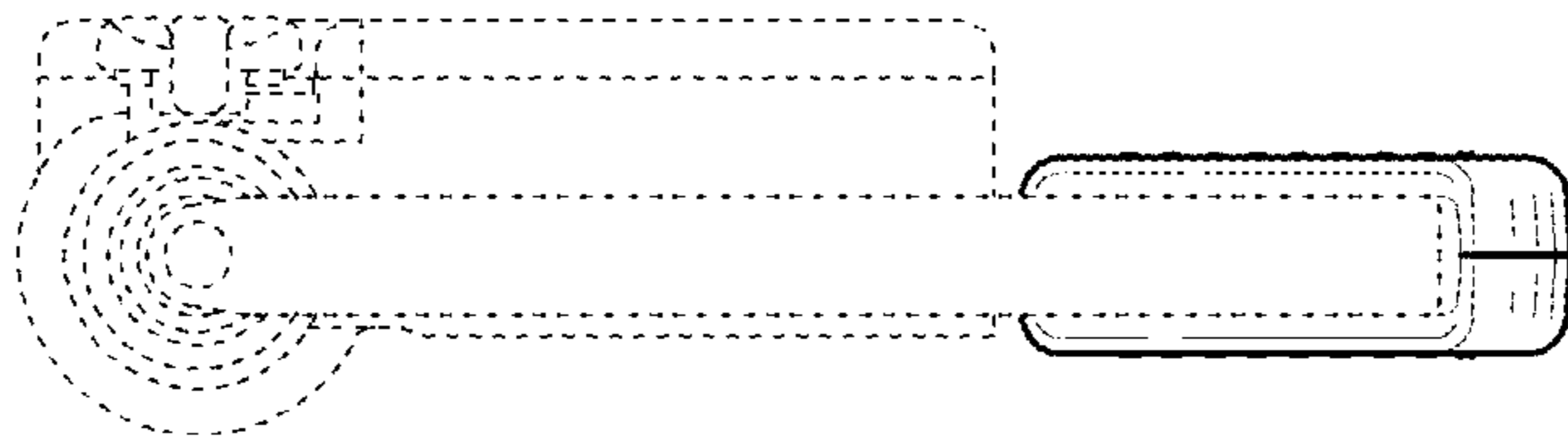


FIG. 28

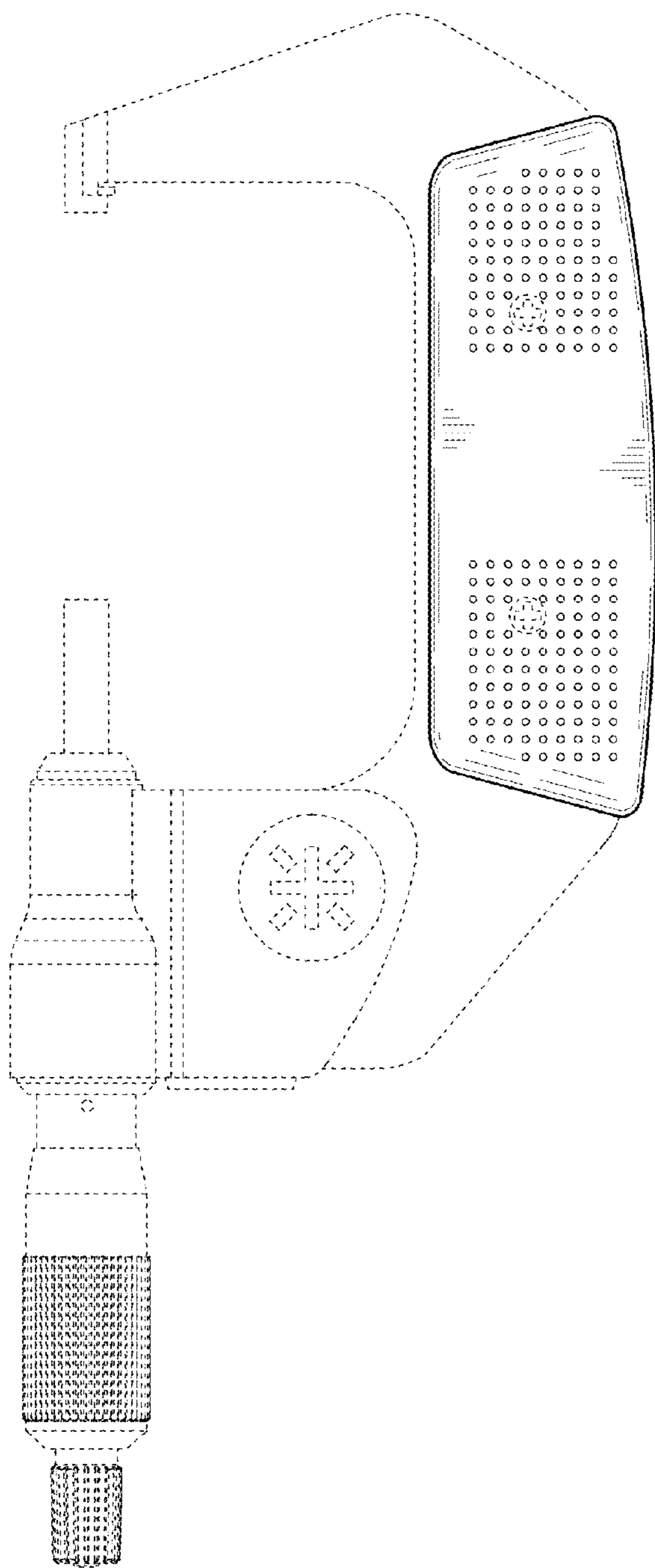


FIG. 30

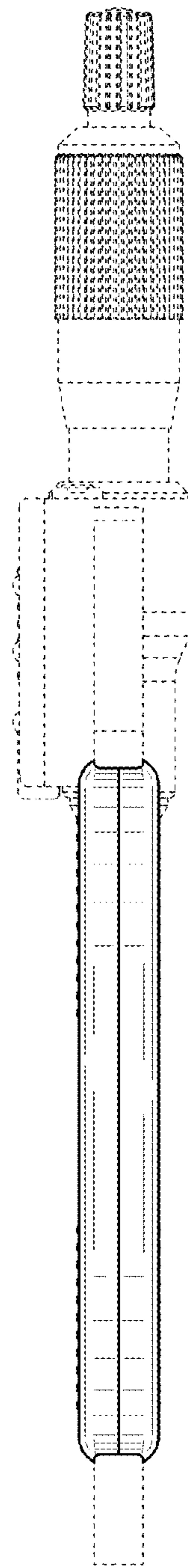


FIG. 31

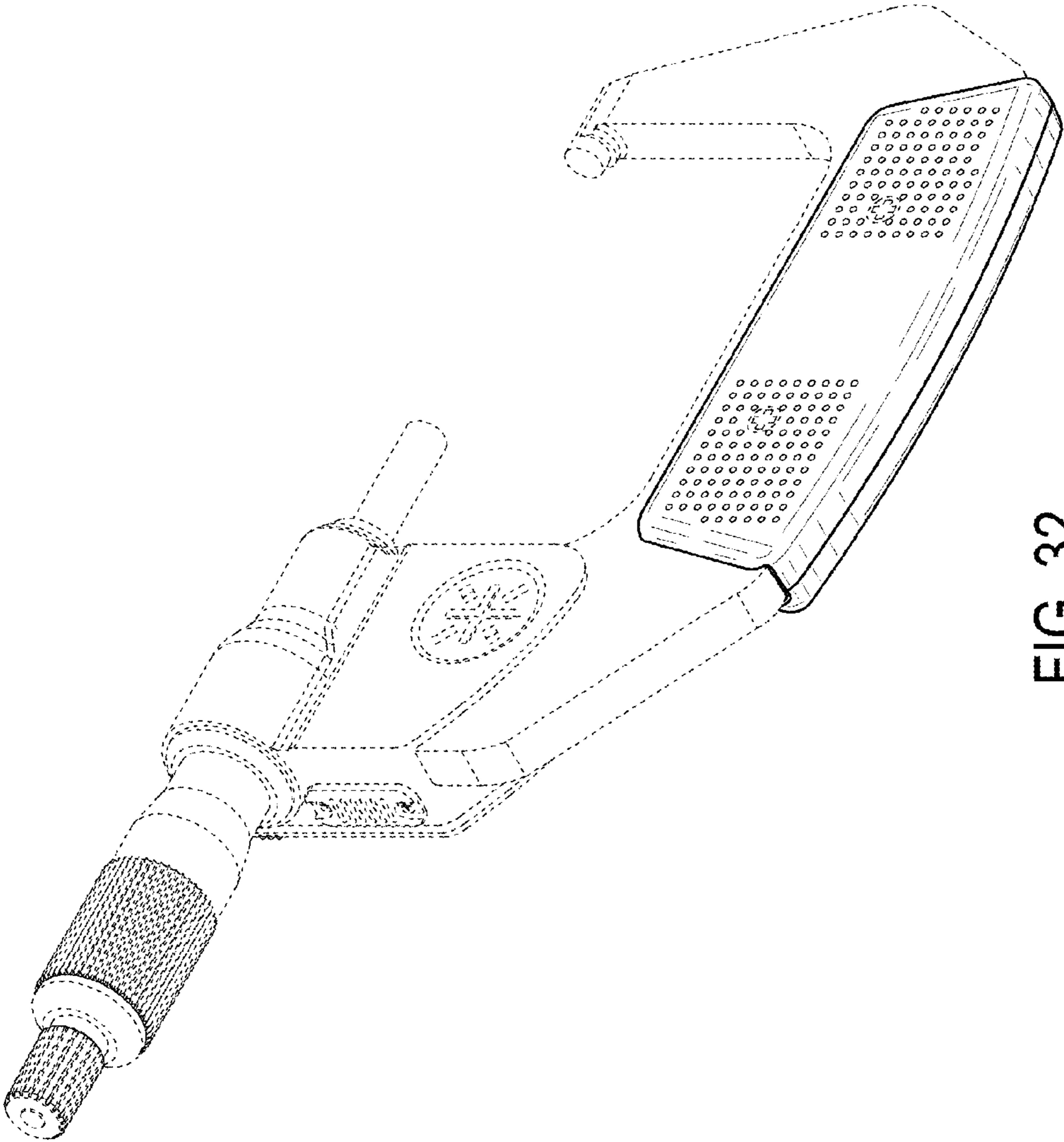


FIG. 32

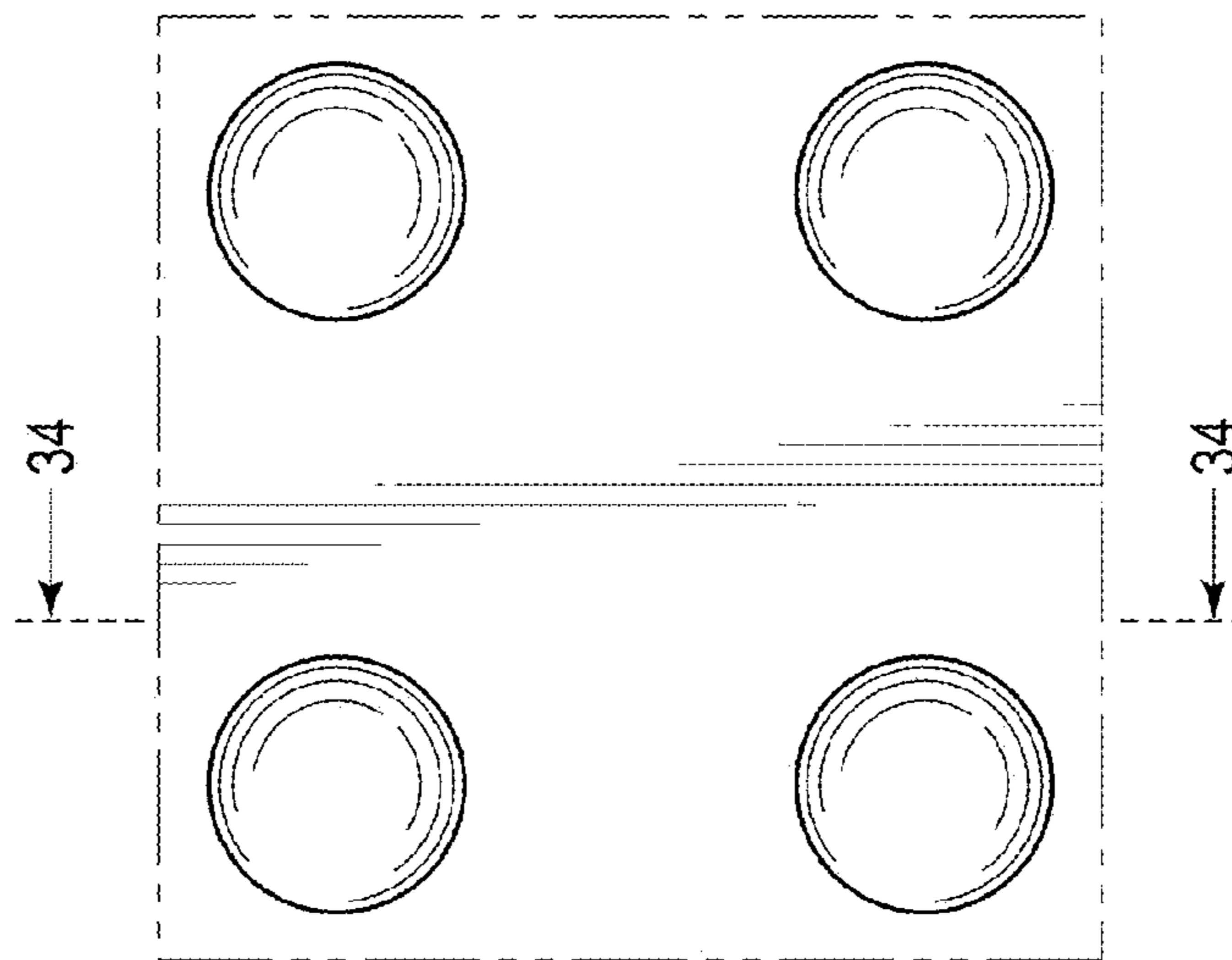


FIG. 33

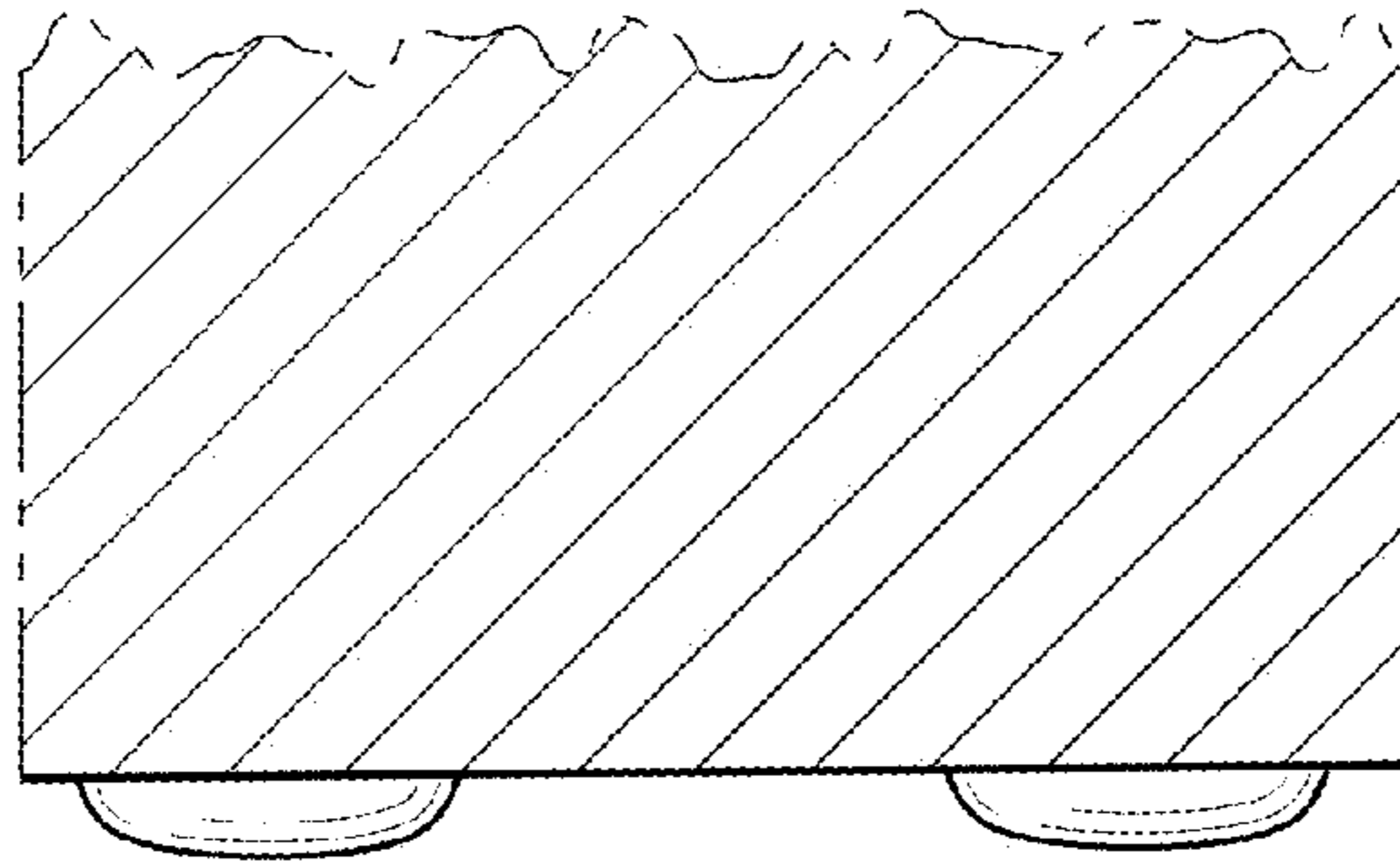


FIG. 34