



US00D740141S

(12) **United States Design Patent**  
**Zhang et al.**

(10) **Patent No.:** **US D740,141 S**  
(45) **Date of Patent:** **\*\* Oct. 6, 2015**

(54) **HEAVY DUTY CALIPER**

(71) Applicants: **Yanchen Zhang**, San Clemente, CA  
(US); **Meng Zhang**, San Clemente, CA  
(US)

(72) Inventors: **Yanchen Zhang**, San Clemente, CA  
(US); **Meng Zhang**, San Clemente, CA  
(US)

(\*\*) Term: **14 Years**

(21) Appl. No.: **29/494,842**

(22) Filed: **Jun. 24, 2014**

(51) **LOC (10) Cl.** ..... **10-04**

(52) **U.S. Cl.**  
USPC ..... **D10/73**

(58) **Field of Classification Search**  
USPC ..... D10/73  
CPC ..... G01B 3/20; G01B 3/205; G01B 5/24;  
G01B 3/18; G01B 3/008

See application file for complete search history.

(56) **References Cited**

U.S. PATENT DOCUMENTS

5,574,381	A *	11/1996	Andermo et al. ....	324/660
D662,842	S *	7/2012	Zhang .....	D10/73
D695,638	S *	12/2013	Zhang .....	D10/73
D699,605	S *	2/2014	Biselx et al. ....	D10/73
2008/0052942	A1 *	3/2008	Kawatoko .....	33/702
2013/0269199	A1 *	10/2013	Biselx .....	33/810

\* cited by examiner

*Primary Examiner* — Antoine D Davis

(74) *Attorney, Agent, or Firm* — Let Z. Kwin, Esq.

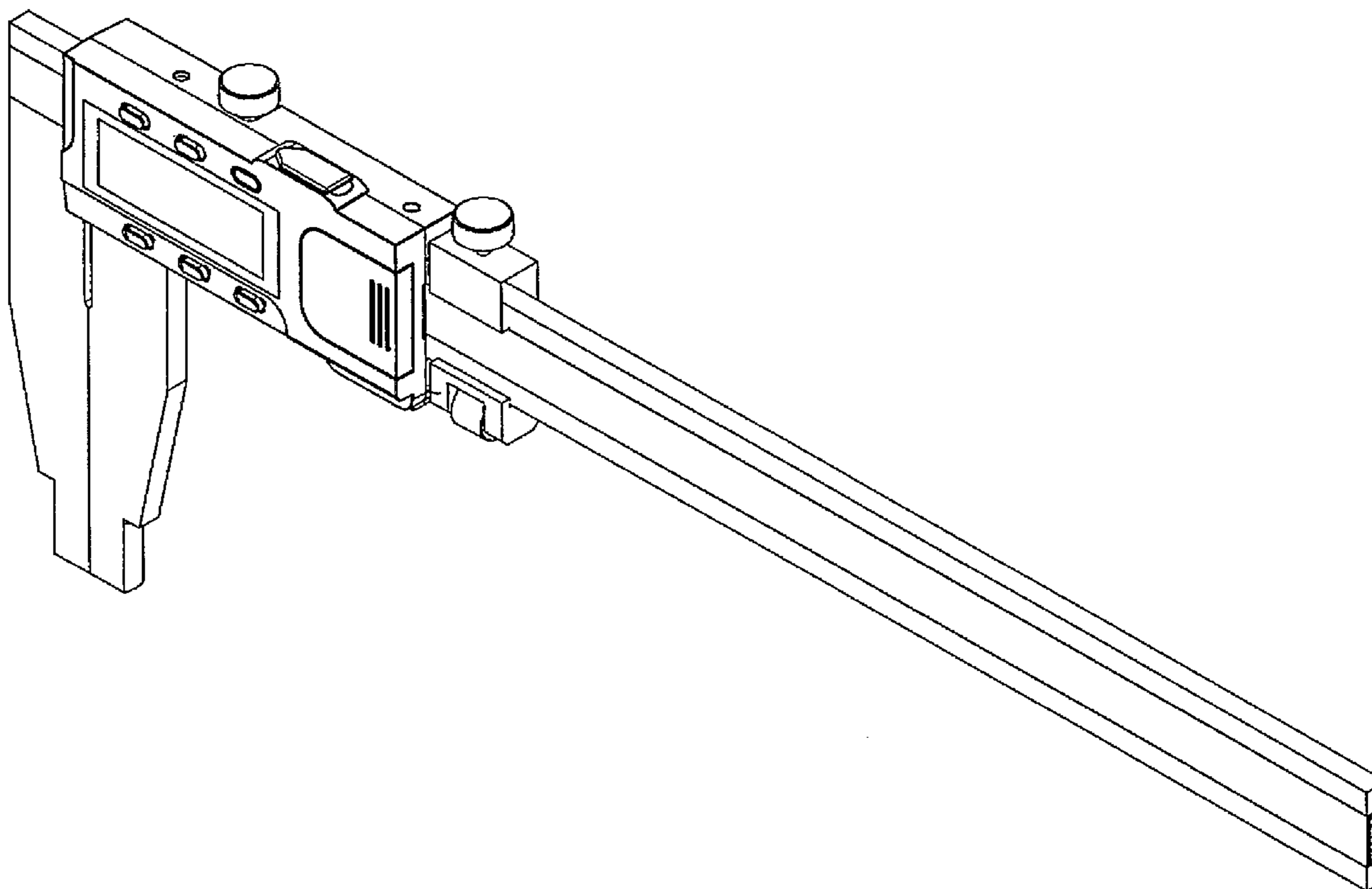
(57) **CLAIM**

The ornamental design for a heavy duty caliper, as shown and described.

**DESCRIPTION**

FIG. 1 is a top, right perspective view of a heavy duty caliper showing our new design;  
FIG. 2 is a top plan view thereof;  
FIG. 3 is a left side view thereof;  
FIG. 4 is a bottom plan view thereof;  
FIG. 5 is a right side view thereof;  
FIG. 6 is a head on view thereof; and,  
FIG. 7 is a rear end view thereof.

**1 Claim, 4 Drawing Sheets**



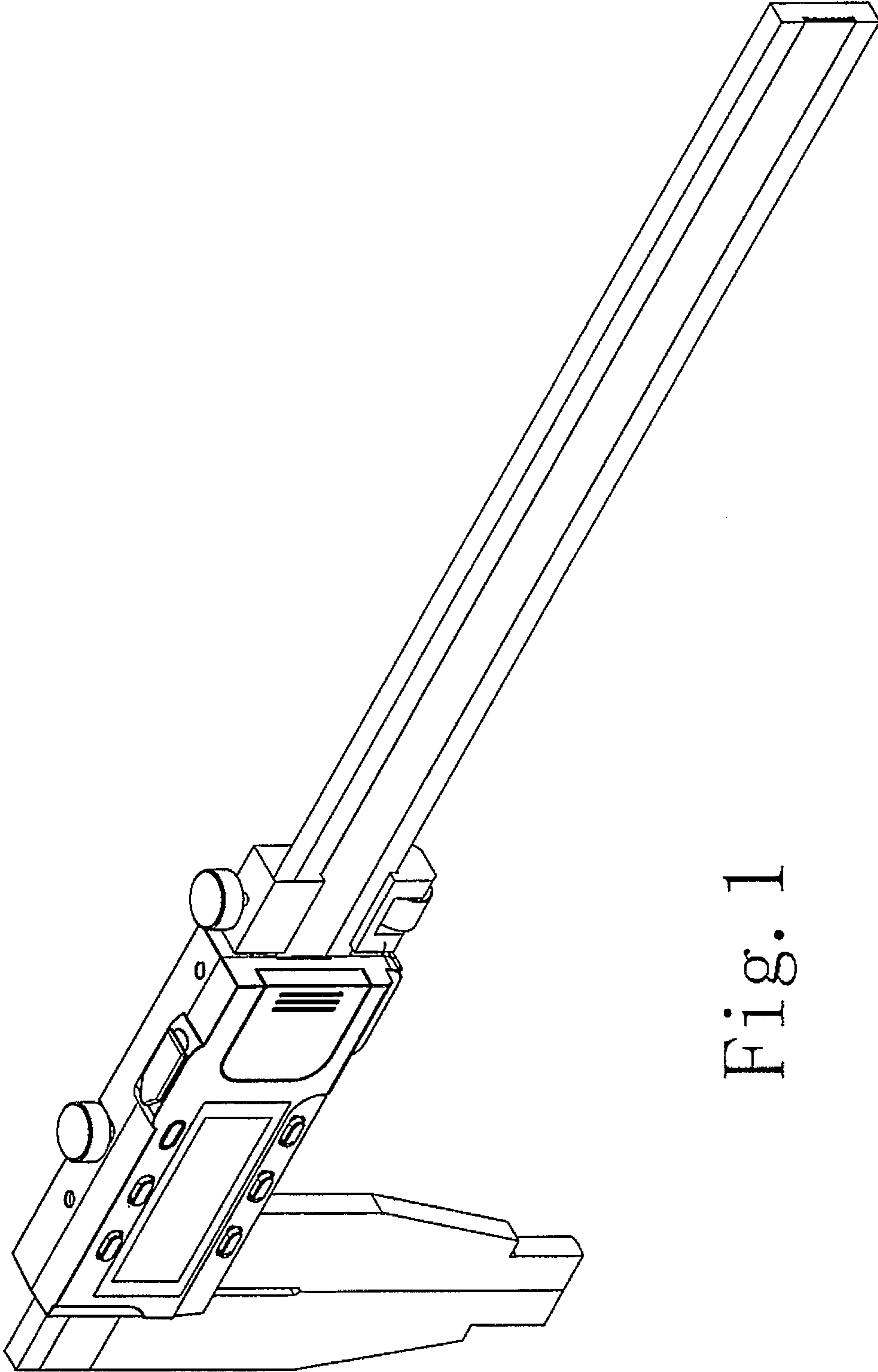


Fig. 1

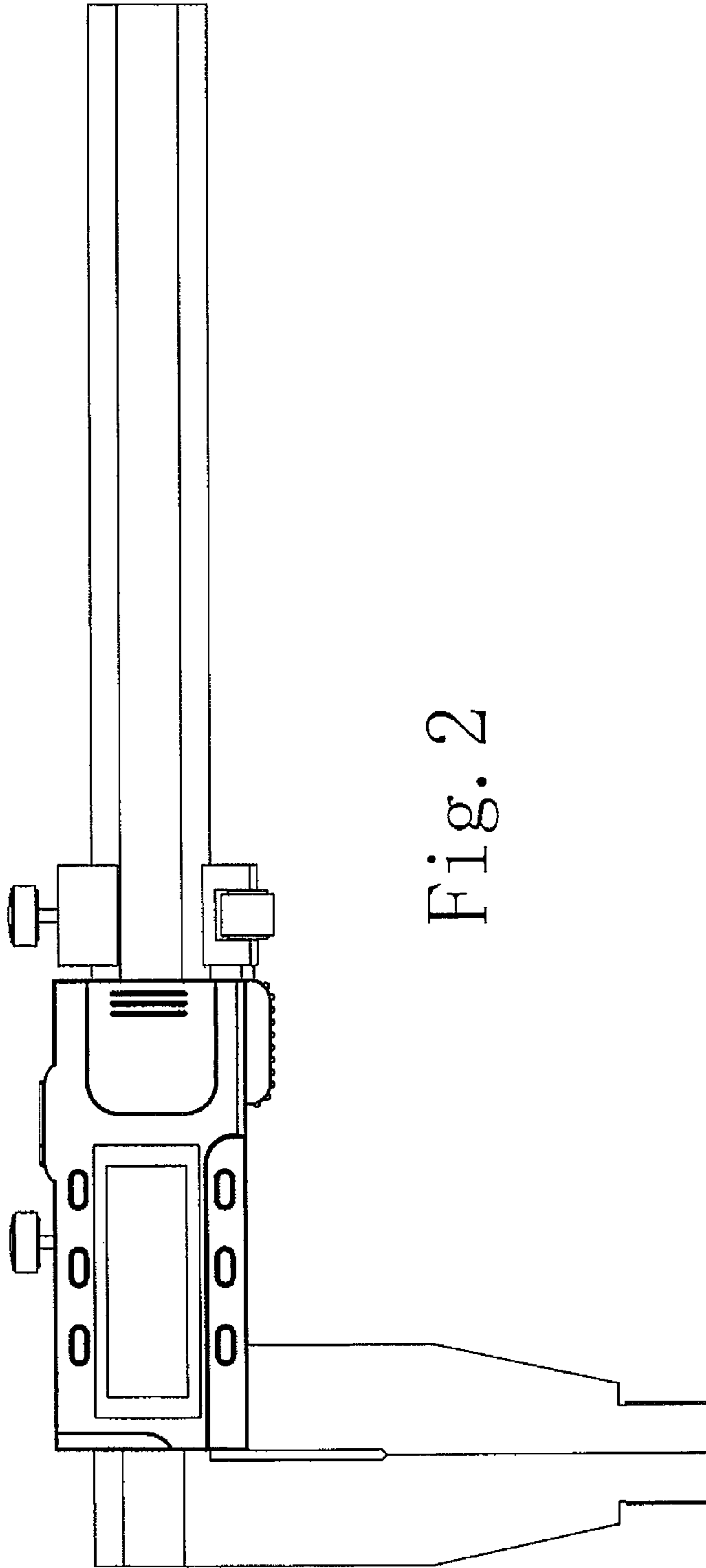


Fig. 2

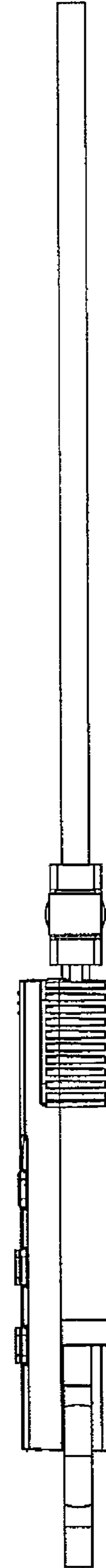
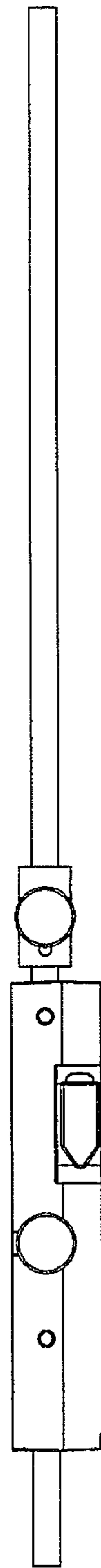
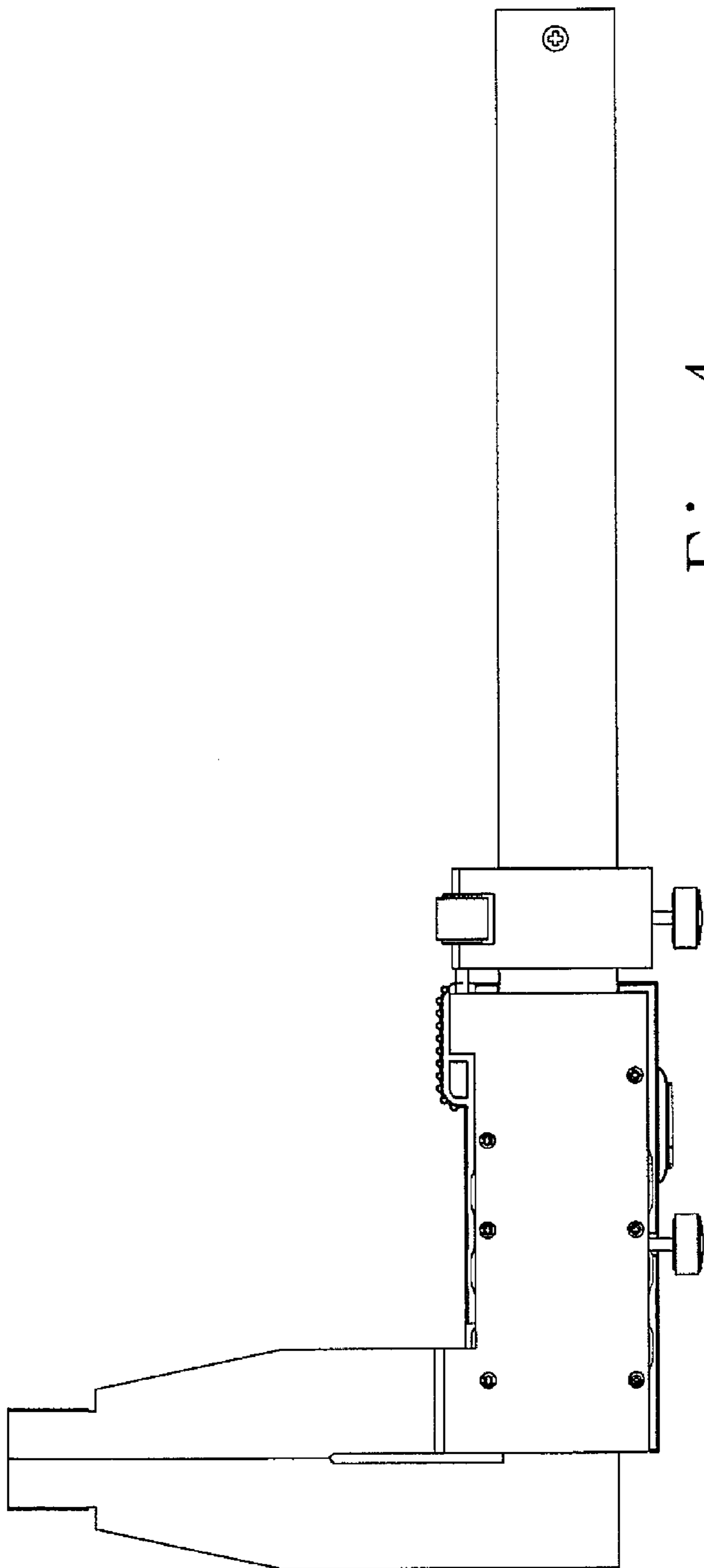


Fig. 3



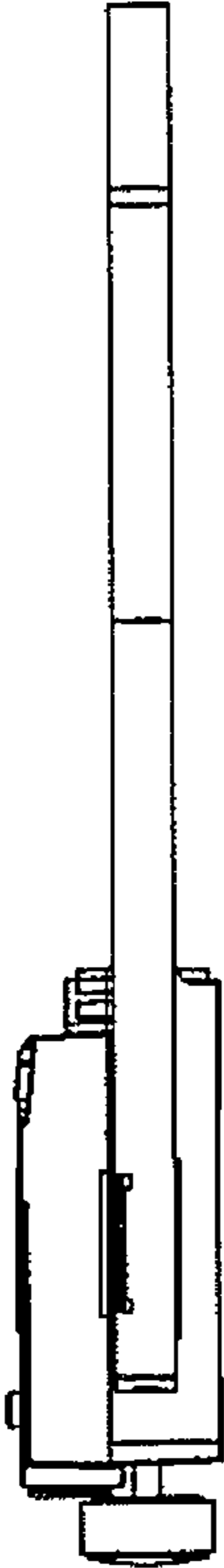


Fig. 6

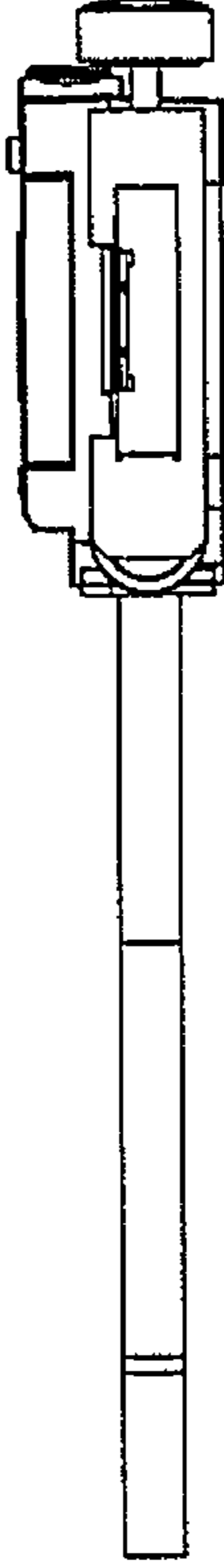


Fig. 7