



US00D740140S

(12) **United States Design Patent**
Behar

(10) **Patent No.:** **US D740,140 S**
(45) **Date of Patent:** **** Oct. 6, 2015**

- (54) **ACTIVITY TRACKING BAND**
- (71) Applicant: **AliphCom**, San Francisco, CA (US)
- (72) Inventor: **Yves Albert Behar**, San Francisco, CA (US)
- (73) Assignee: **ALIPHCOM**, San Francisco, CA (US)
- (**) Term: **14 Years**
- (21) Appl. No.: **29/516,016**
- (22) Filed: **Jan. 28, 2015**
- (51) **LOC (10) Cl.** **10-04**
- (52) **U.S. Cl.**
USPC **D10/70; D10/39**
- (58) **Field of Classification Search**
USPC D10/30-39, 65, 70, 97, 98; D11/3;
D14/138 R, 203.5, 203.6, 341, 344,
D14/347; D24/167, 168
CPC A44C 5/00-5/16; G04B 37/00-37/228;
G04B 45/0069; G04B 47/04; G04B
19/00-19/34; G04B 21/12; G04B 23/12;
G04B 47/00-47/068; G01C 17/00; G01C
21/00-21/3697
See application file for complete search history.

- (56) **References Cited**
U.S. PATENT DOCUMENTS
D664,880 S * 8/2012 Cobbett et al. D11/3
D671,858 S * 12/2012 Cobbett et al. D11/3
D680,020 S * 4/2013 Cobbett et al. D11/3
D684,082 S * 6/2013 Alvarez et al. D11/3
D688,584 S * 8/2013 Cobbett et al. D11/3
D690,218 S * 9/2013 Cobbett et al. D11/3

- D711,268 S * 8/2014 Kim et al. D10/98
- D714,179 S * 9/2014 Park et al. D11/3
- D717,956 S * 11/2014 Alexander et al. D24/167
- D718,647 S * 12/2014 Roush et al. D10/98
- D720,248 S * 12/2014 Law D11/3
- D720,249 S * 12/2014 Park et al. D11/3
- D720,635 S * 1/2015 Park et al. D10/98
- D721,292 S * 1/2015 Choi et al. D10/98
- D724,453 S * 3/2015 Ogihara et al. D10/70
- D724,468 S * 3/2015 Tan et al. D11/3
- D725,510 S * 3/2015 Henning D10/70
- D726,572 S * 4/2015 Walters et al. D11/3

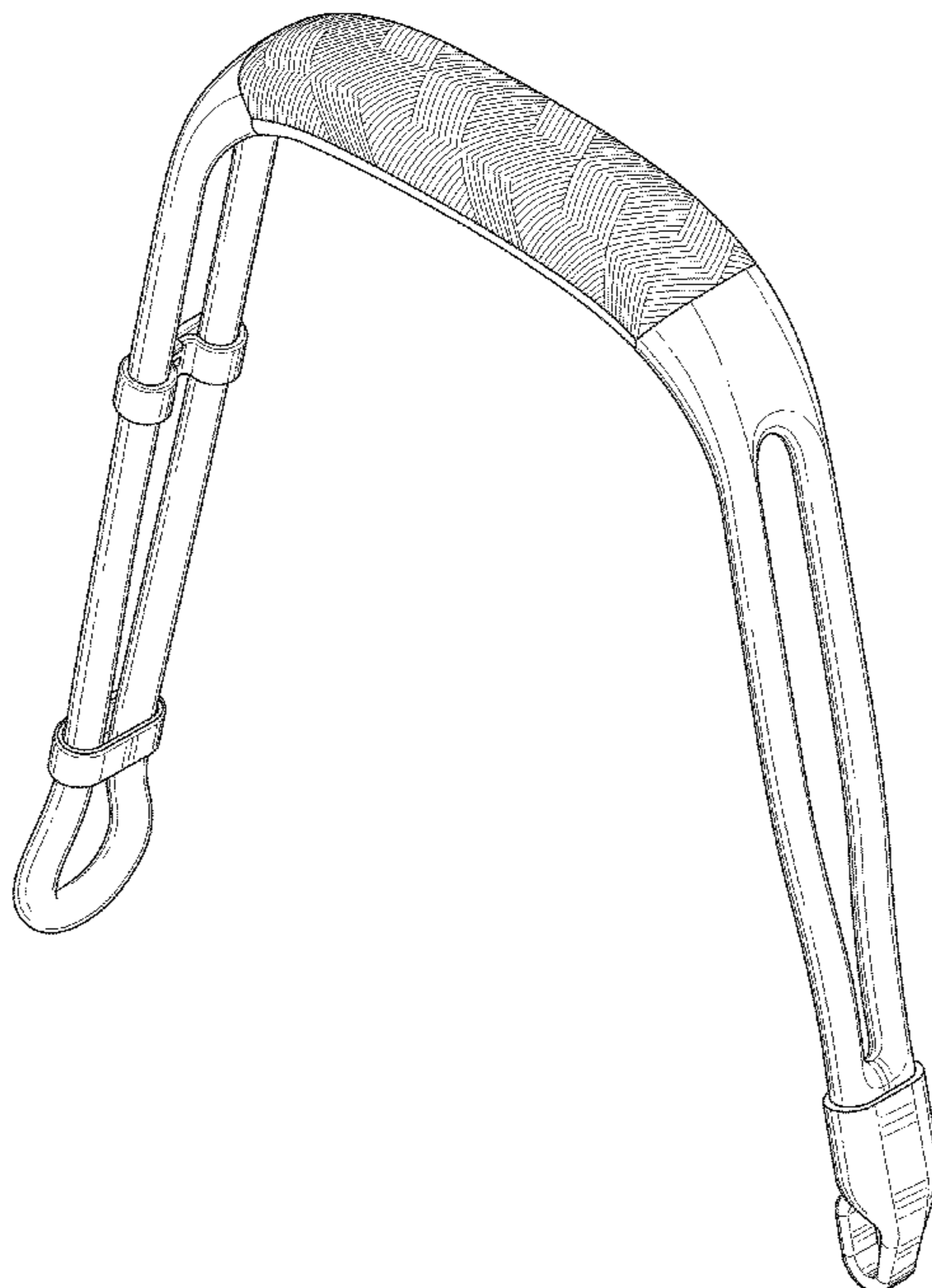
* cited by examiner

Primary Examiner — Antoine D Davis
(74) *Attorney, Agent, or Firm* — Kilpatrick Townsend & Stockton LLP

(57) **CLAIM**
The ornamental design for a activity tracking band, as shown and described.

DESCRIPTION
FIG. 1 is a perspective view of an activity tracking band showing my new design;
FIG. 2 is an alternative perspective view of the activity tracking band;
FIG. 3 is a front elevational view thereof;
FIG. 4 is a back elevational view thereof;
FIG. 5 is a left side elevational view thereof;
FIG. 6 is a right side elevational view thereof;
FIG. 7 is a top view thereof; and,
FIG. 8 is a bottom view thereof.
The broken line showing of a human hand and arm is included for the purpose of illustrating non-claimed subject matter and forms no part of the claimed design.

1 Claim, 8 Drawing Sheets



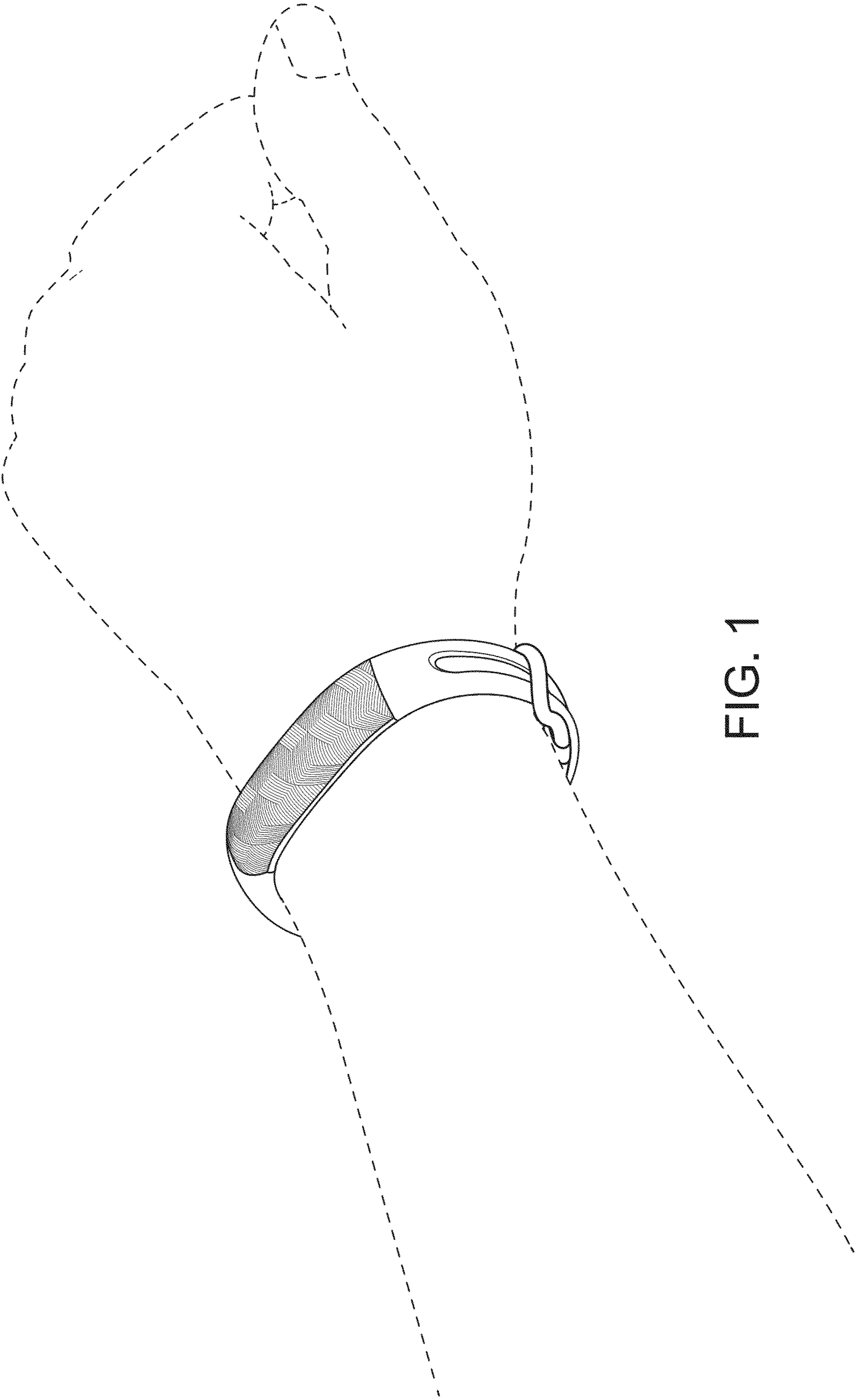


FIG. 1

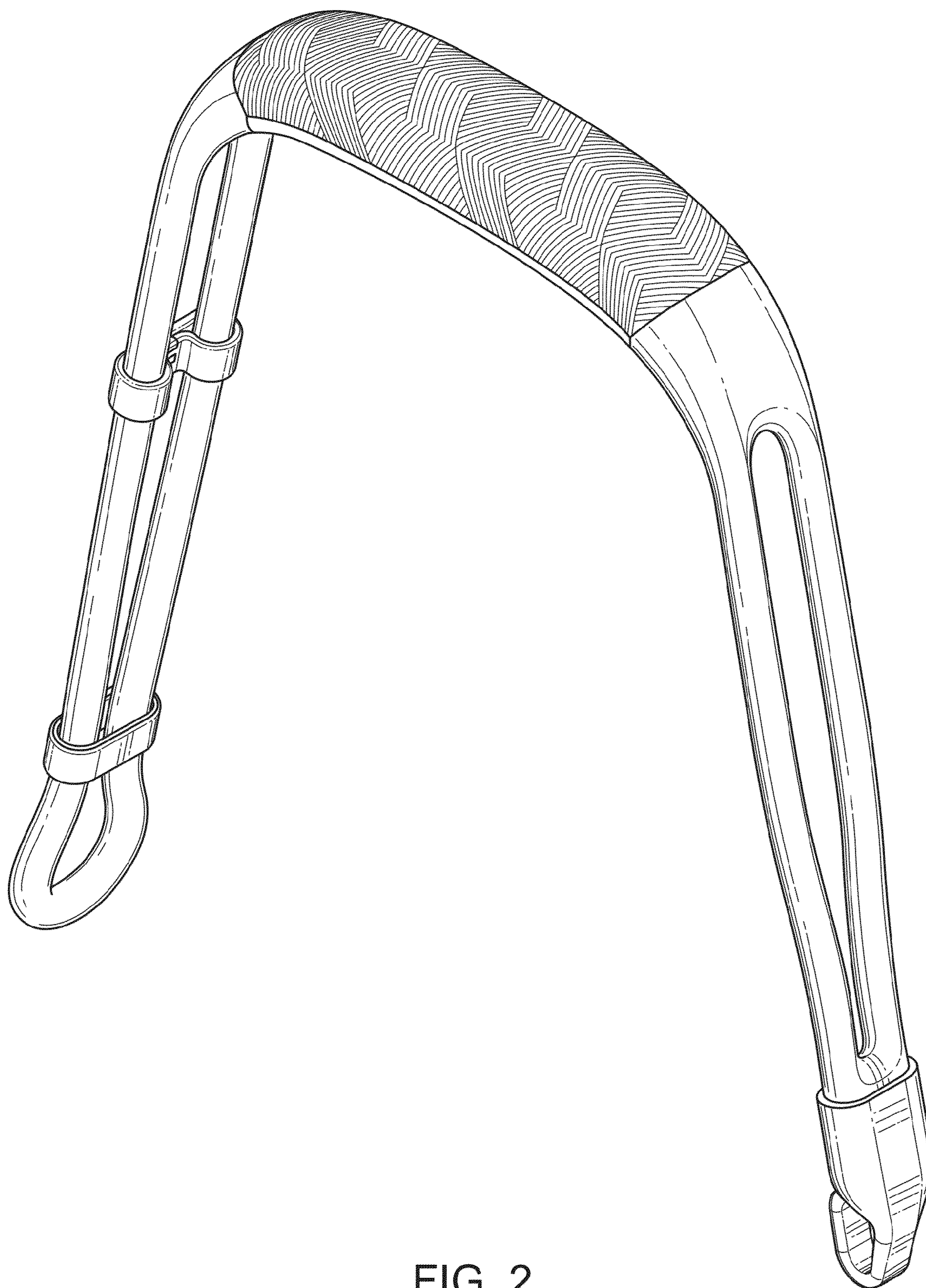


FIG. 2

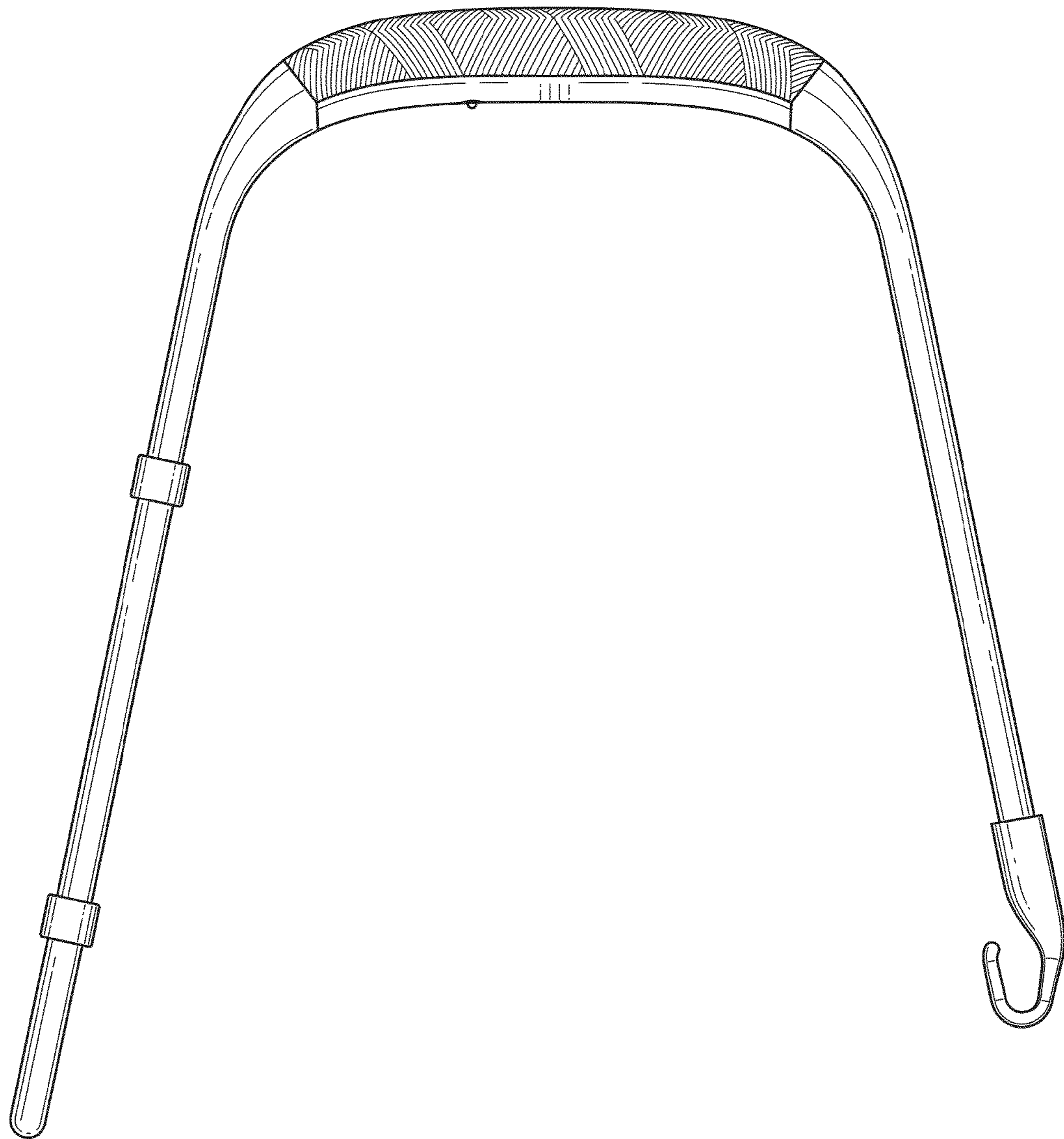


FIG. 3



FIG. 4

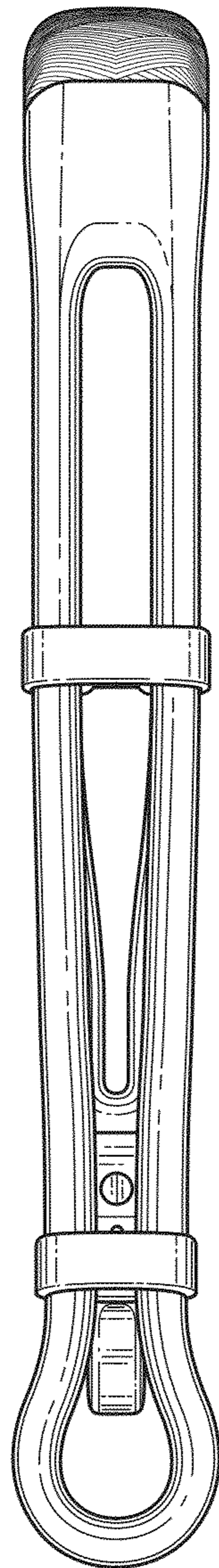


FIG. 5

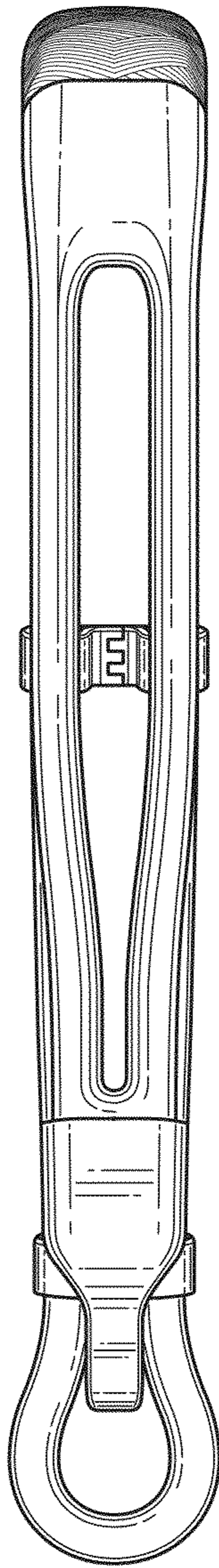


FIG. 6

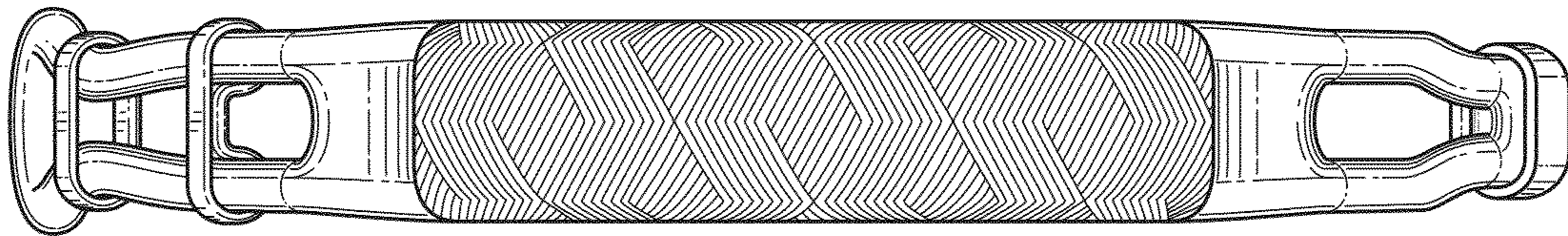


FIG. 7

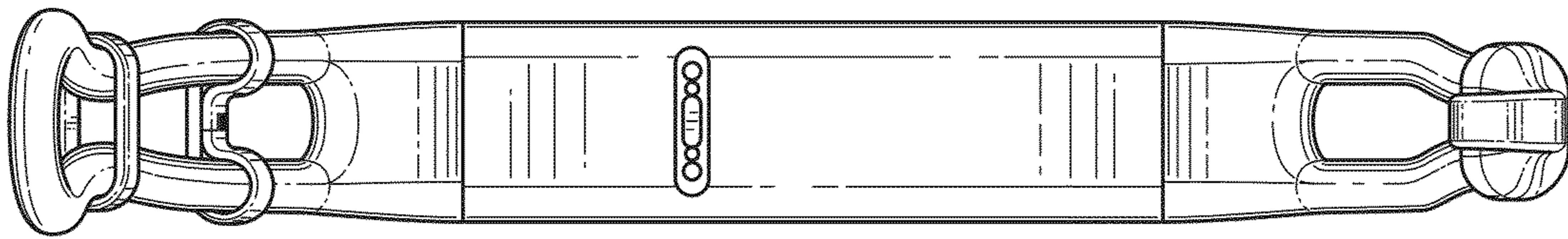


FIG. 8