



US00D740137S

(12) **United States Design Patent**
Syoubayashi

(10) **Patent No.:** **US D740,137 S**

(45) **Date of Patent:** **** Oct. 6, 2015**

(54) **WRIST WATCH**

(71) Applicant: **CASIO KEISANKI KABUSHIKI KAISHA**, Shibuya-ku, Tokyo (JP)

(72) Inventor: **Seiji Syoubayashi**, Kunitachi (JP)

(73) Assignee: **CASIO KEISANKI KABUSHIKI KAISHA**, Tokyo (JP)

(**) Term: **14 Years**

(21) Appl. No.: **29/486,692**

(22) Filed: **Apr. 1, 2014**

(30) **Foreign Application Priority Data**

Dec. 20, 2013 (CN) 2013 3 0637024

(51) **LOC (10) Cl.** **10-02**

(52) **U.S. Cl.**
USPC **D10/38; D10/39**

(58) **Field of Classification Search**
USPC D10/30-39, 1-29, 122-132
CPC G04B 19/00; G04B 37/00; G04B 37/0008;
G04B 37/0058; G04C 3/00; G04C 3/001;
G04C 3/002; G04G 9/00; G04G 9/0017;
G04G 9/0058; G04G 9/04; G04G 9/06;
G04G 9/107; G04G 17/00; G04G 17/005;
G04G 17/08; G04G 21/00; G04G 21/08
See application file for complete search history.

(56) **References Cited**

U.S. PATENT DOCUMENTS

D111,863 S * 10/1938 Stegeman, Jr. D10/38
D292,678 S * 11/1987 Takeichi D10/39
D305,411 S * 1/1990 Atagi D10/31

D339,749 S * 9/1993 Ishizaka D10/38
D355,376 S * 2/1995 Nakai D10/38
D395,402 S * 6/1998 Goto D10/30
D400,805 S * 11/1998 Hanagata D10/38
D407,332 S * 3/1999 Kojima D10/30
D418,429 S * 1/2000 Goto D10/30
D542,166 S * 5/2007 Yamamoto et al. D10/123
D543,122 S * 5/2007 Lafever et al. D10/32
D627,241 S * 11/2010 Thevenaz D10/38
2002/0110049 A1 * 8/2002 Ting 368/10
2012/0075964 A1 * 3/2012 Hirayama 368/281

* cited by examiner

Primary Examiner — Martie K Holtje

(74) *Attorney, Agent, or Firm* — Holtz, Holtz, Goodman & Chick PC

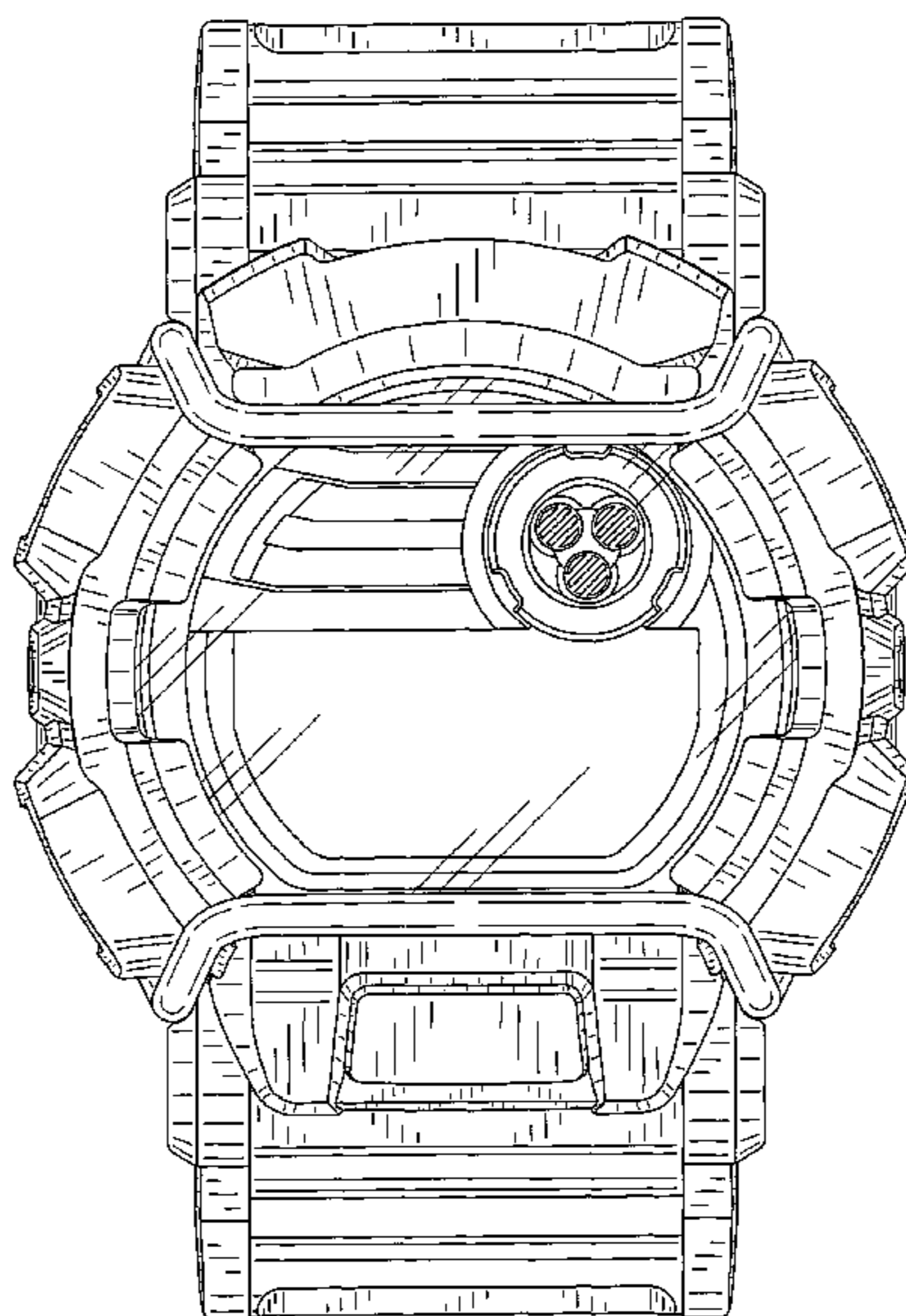
(57) **CLAIM**

The ornamental design for a wrist watch, as shown and described.

DESCRIPTION

FIG. 1 is a reduced scale front, right side, bottom perspective view of a wrist watch showing my new design;
FIG. 2 is a front elevational view thereof;
FIG. 3 is a rear elevational view thereof;
FIG. 4 is a left side view thereof;
FIG. 5 is a right side view thereof;
FIG. 6 is a top plan view thereof;
FIG. 7 is a bottom plan view thereof;
FIG. 8 is a reference front elevational view thereof; and,
FIG. 9 is a reference right front perspective view thereof, drawn to a reduced scale with respect to FIG. 1.
The broken lines in FIG. 8 illustrate a state in which the wrist watch is electrified which form no part of the claimed design.
The straps depicted by broken lines in FIG. 9 represent environment that forms no part of the claimed design.

1 Claim, 8 Drawing Sheets



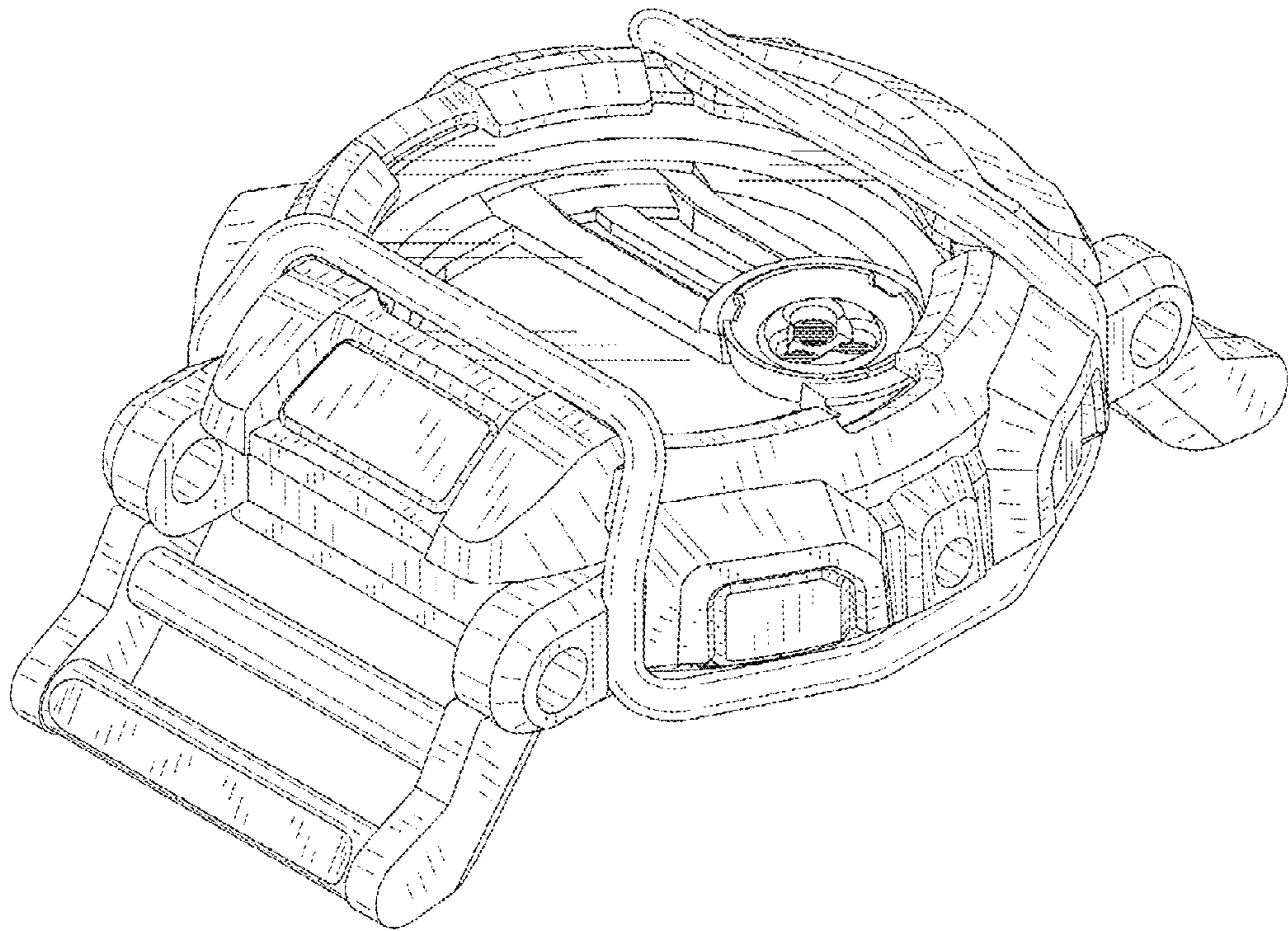


FIG. 1

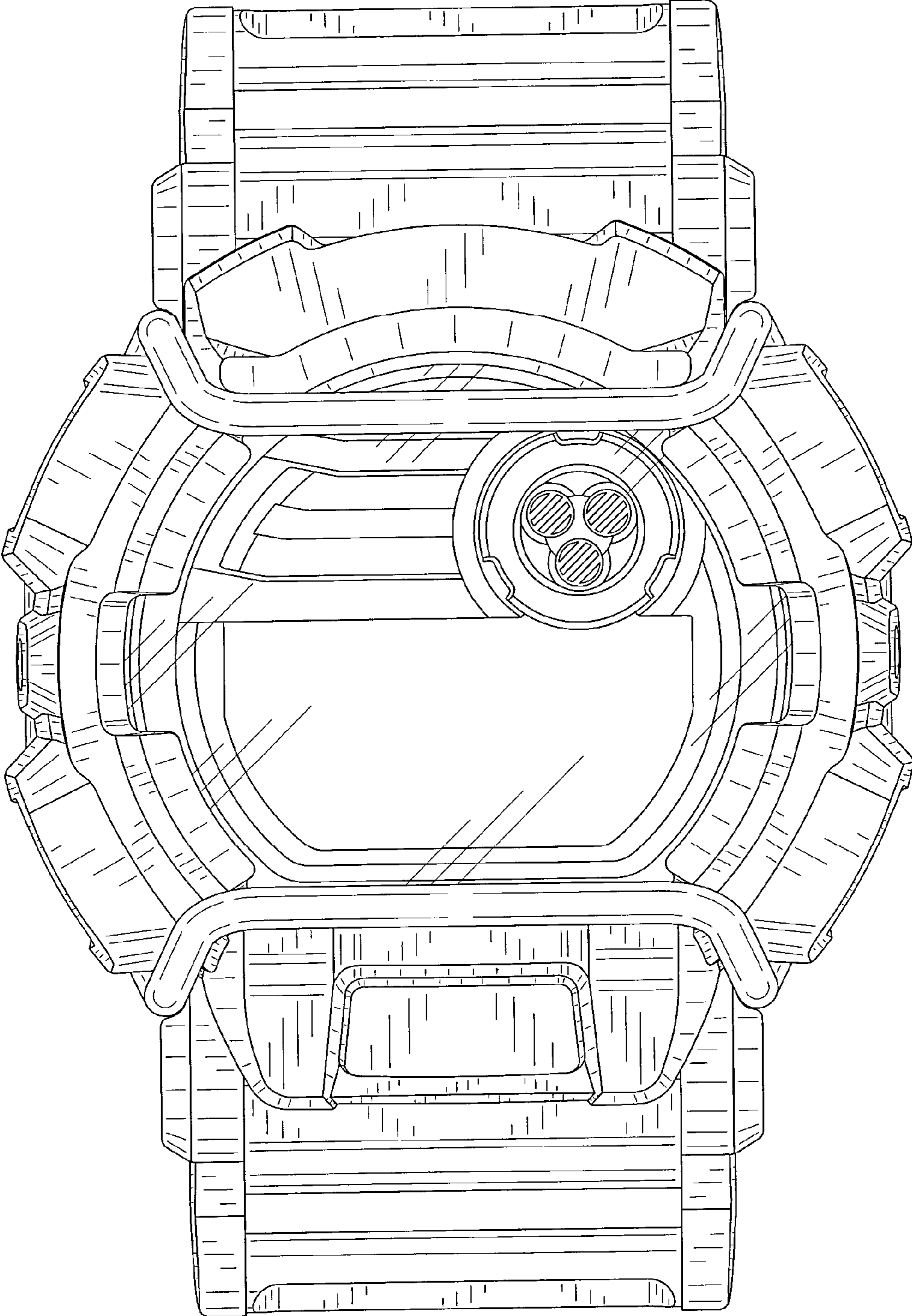


FIG. 2

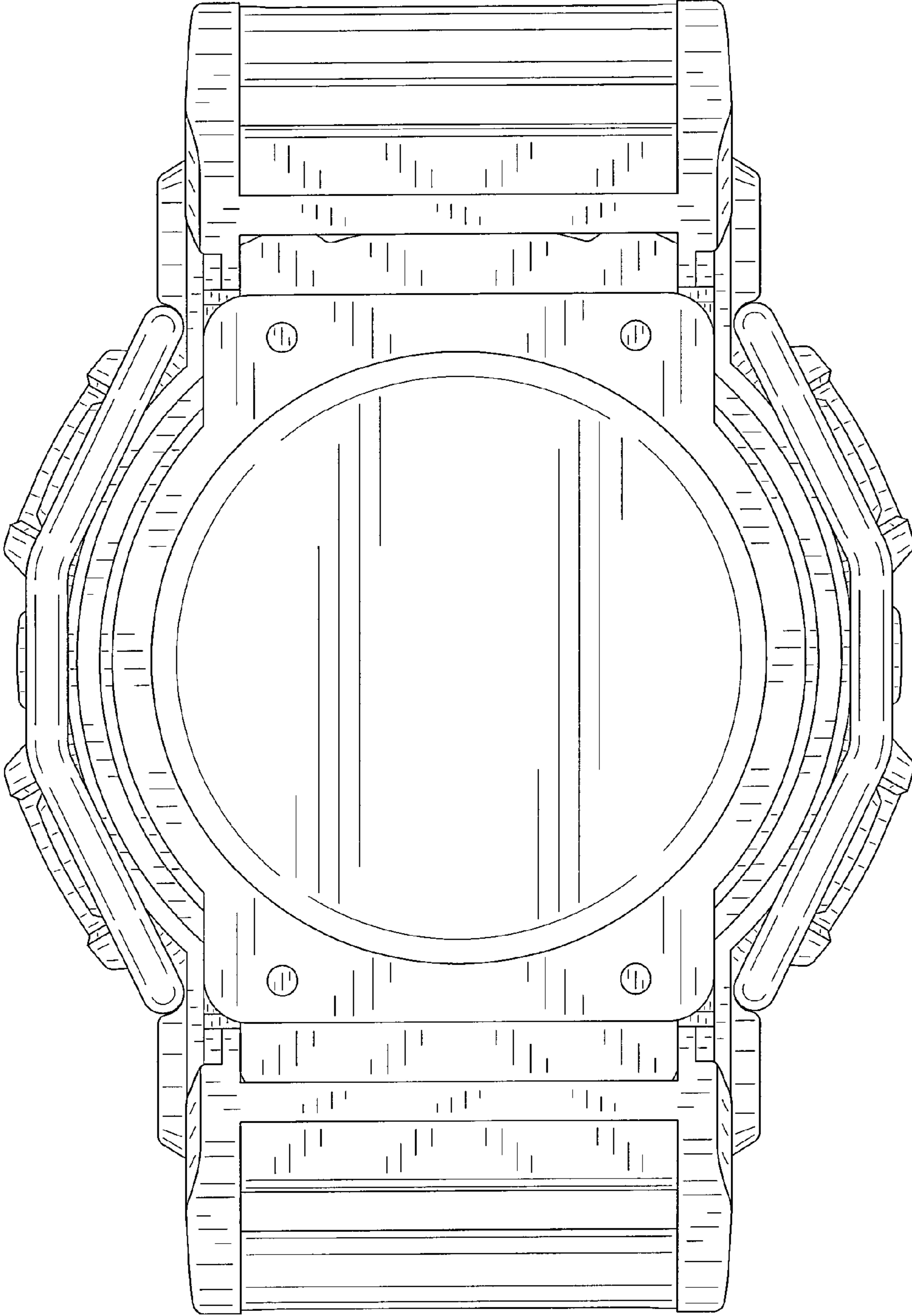


FIG. 3

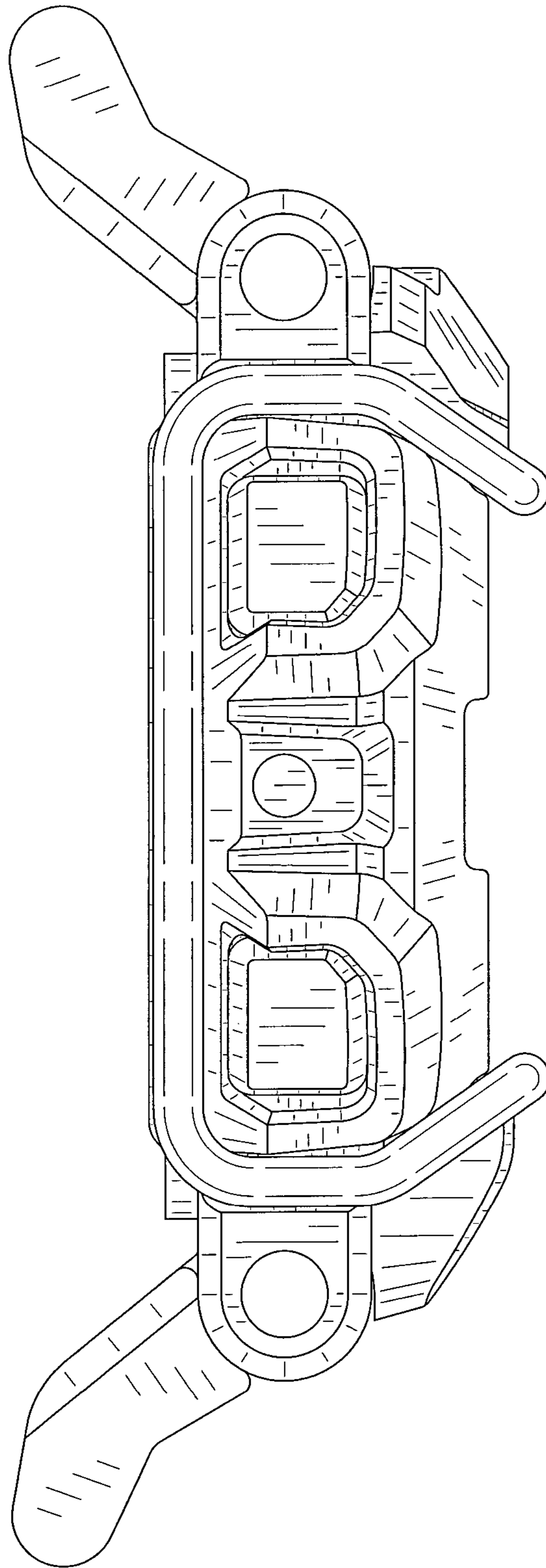


FIG. 4

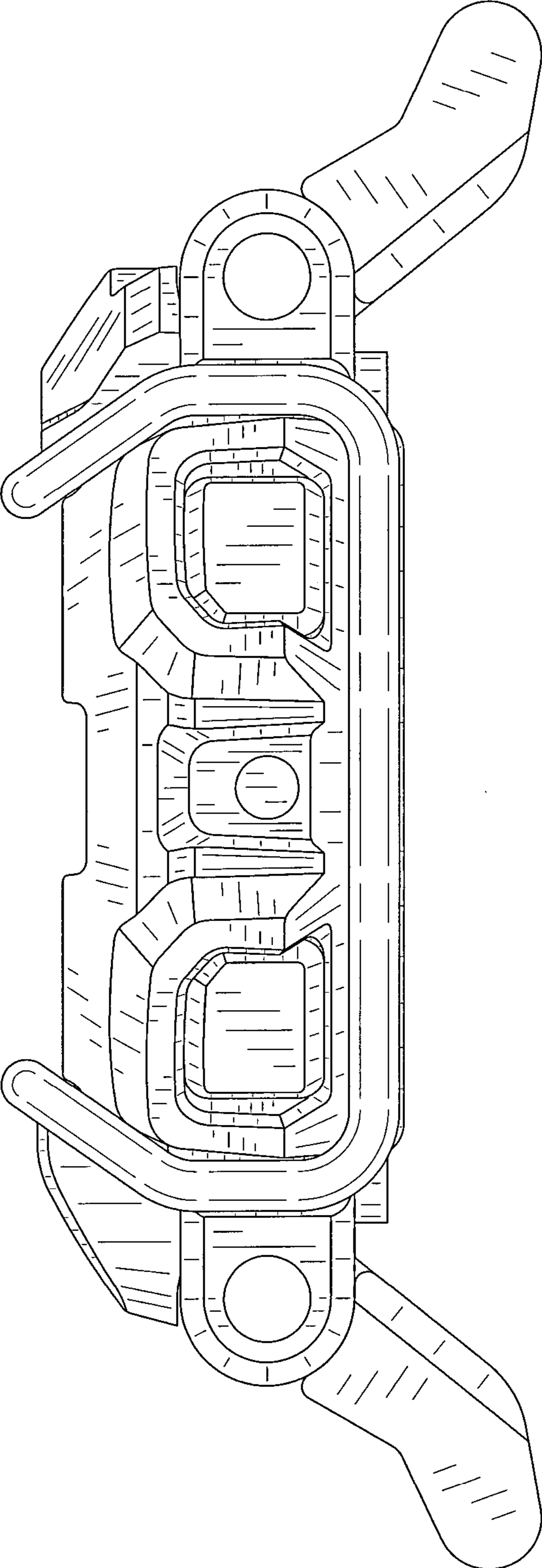


FIG. 5

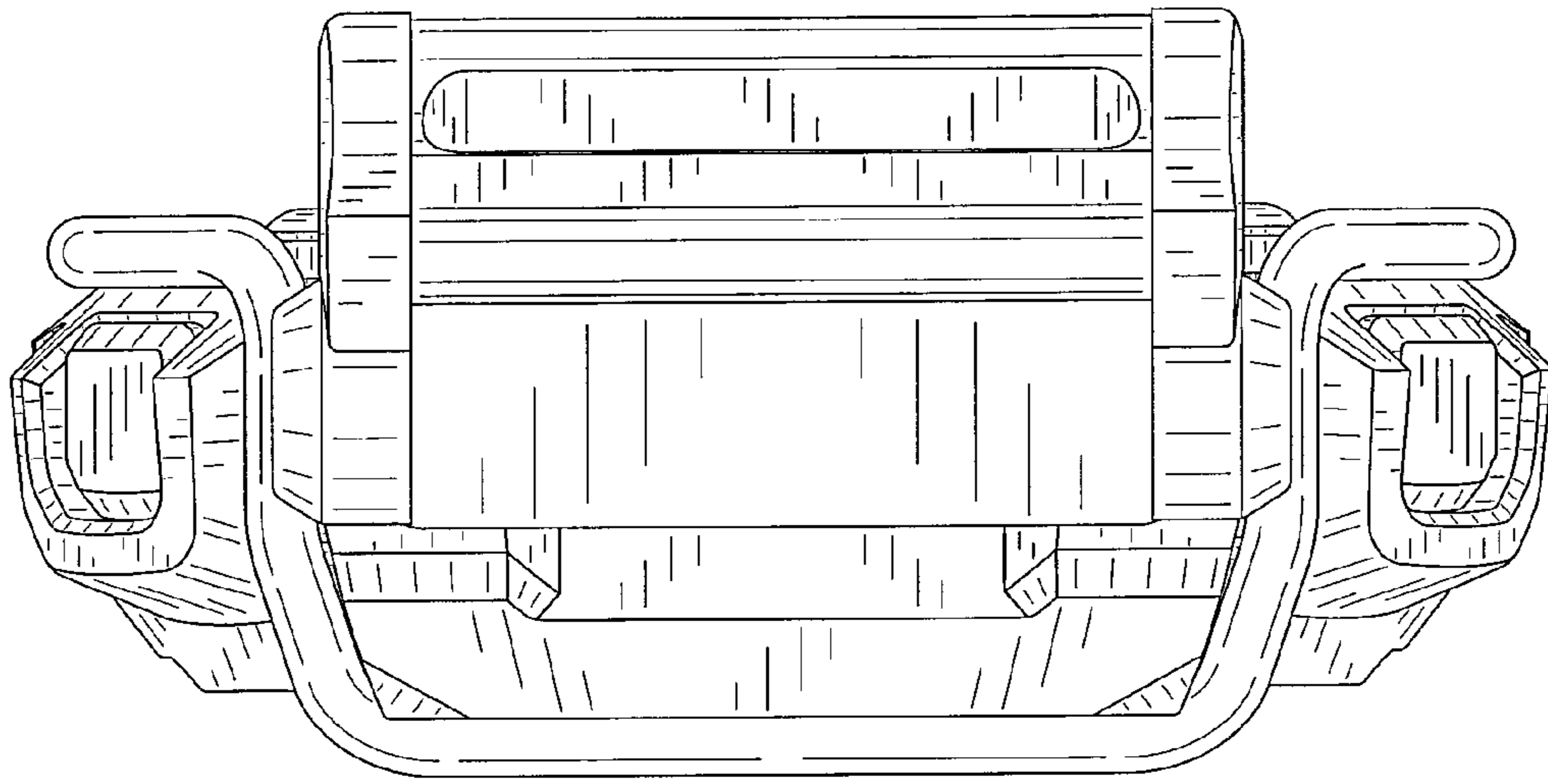


FIG. 6

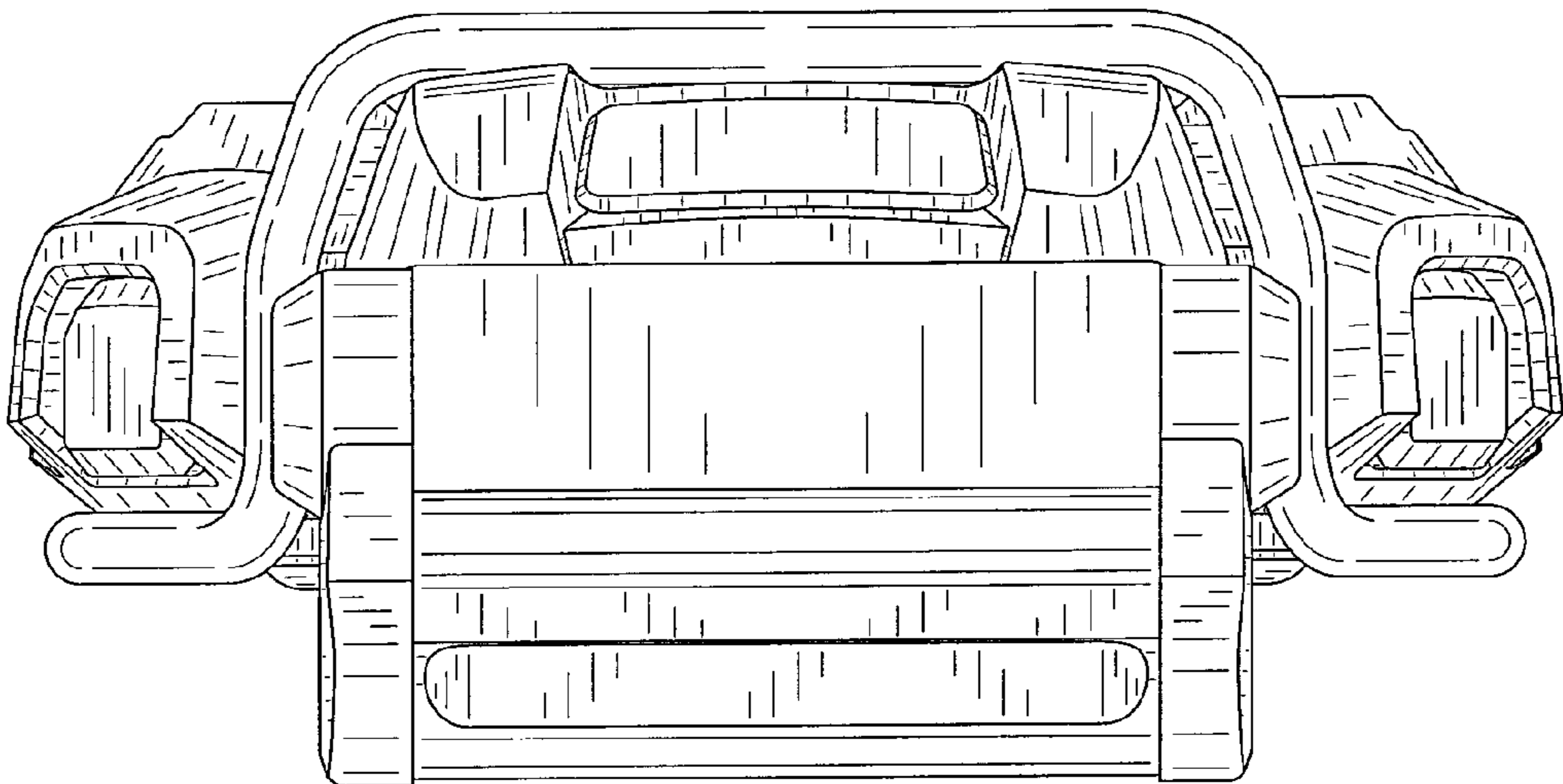


FIG. 7

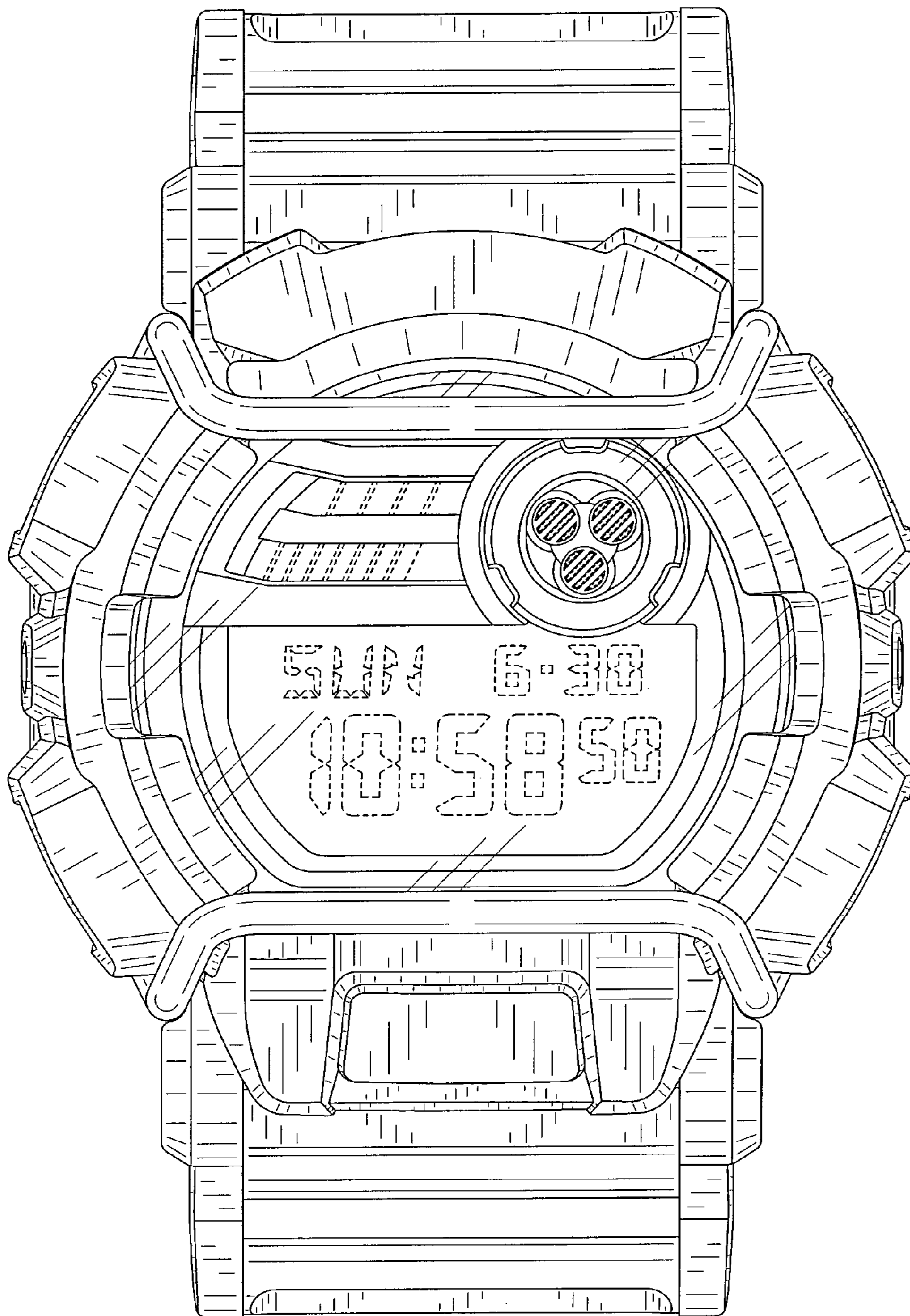


FIG. 8

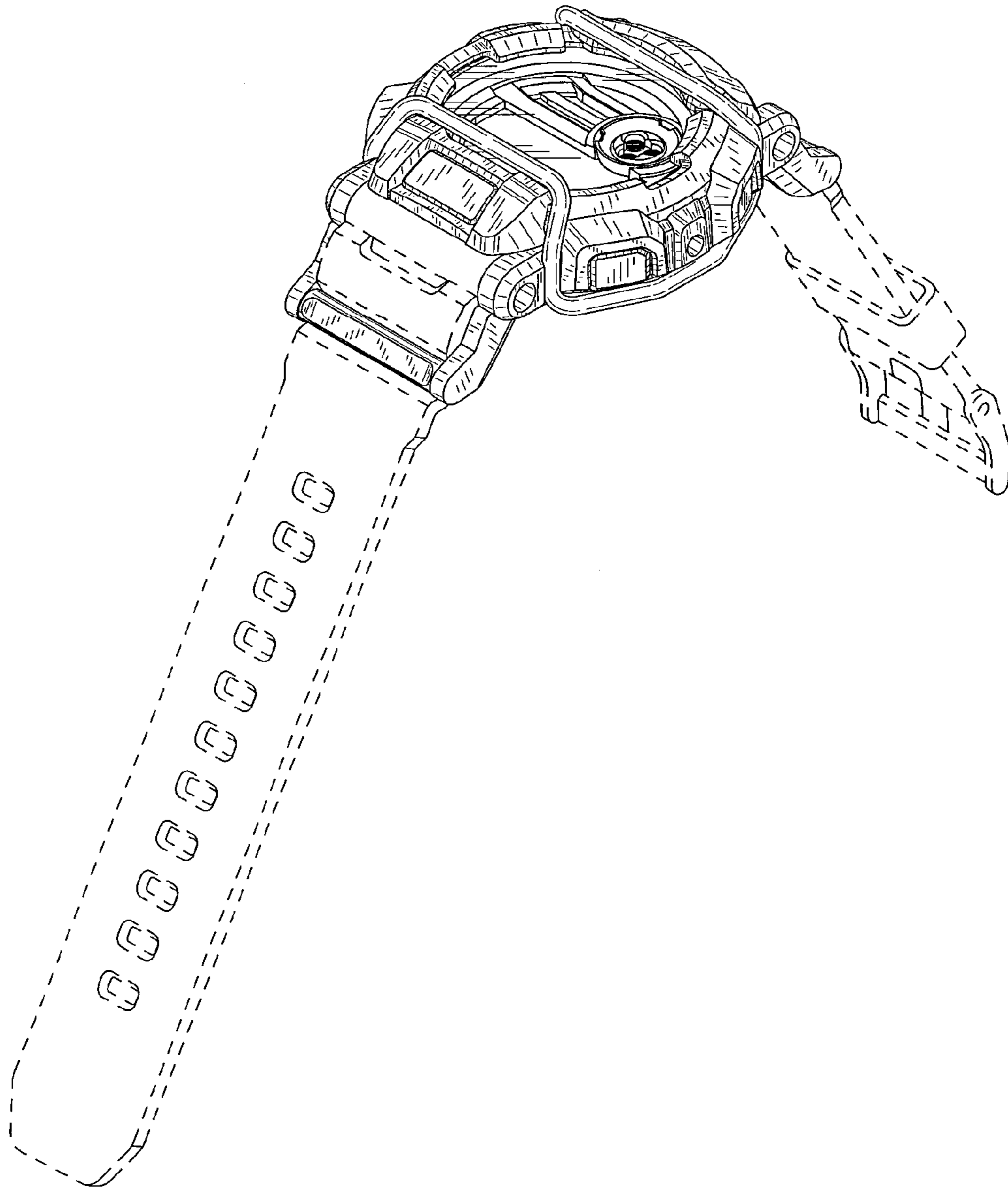


FIG. 9