



US00D740135S

(12) **United States Design Patent**
McSweeney et al.

(10) **Patent No.:** **US D740,135 S**
(45) **Date of Patent:** **** Oct. 6, 2015**

(54) **CONNECTED SINGLE-SERVE CONTAINERS**

(71) Applicant: **Mars, Incorporated**, McLean, VA (US)

(72) Inventors: **Jonathan Lee McSweeney**, Antioch, TN (US); **David Matthew Craig**, Thompsons Station, TN (US); **Jason Lee Brown**, Franklin, TN (US); **Daniel Lynn Preusser**, Union, MO (US)

(73) Assignee: **MARS, INC.**, McLean, VA (US)

(**) Term: **14 Years**

(21) Appl. No.: **29/468,719**

(22) Filed: **Oct. 2, 2013**

Related U.S. Application Data

(63) Continuation of application No. 29/453,563, filed on Apr. 30, 2013.

(51) **LOC (10) Cl.** **09-03**

(52) **U.S. Cl.**
USPC **D9/756**; D9/426

(58) **Field of Classification Search**
USPC D9/416, 424, 425, 426, 428, 429, 430, D9/432, 737, 756, 759, 760, 761; D7/550, D7/553, 555; 206/561, 564; 220/500, 555, 220/657, 659, 904; 229/404
CPC B65D 1/40; B65D 1/34; B65D 1/44; B65D 85/34; B65D 5/48; B65D 5/4805; B65D 5/56; B65D 5/48022; B65D 5/566; B65D 77/0433; B65D 77/04
See application file for complete search history.

(56) **References Cited**

U.S. PATENT DOCUMENTS

D9,661 S 12/1876 Heuacker
D213,387 S 2/1969 Cronhein
3,530,917 A * 9/1970 Donovan 220/359.1

D220,749 S 5/1971 Artz
D241,622 S * 9/1976 Smith D9/760
D273,765 S * 5/1984 Cillario D9/761
D273,842 S * 5/1984 Jeannin D9/758
D290,232 S 6/1987 Holzkopf et al.
D317,567 S * 6/1991 Lane, Sr. D9/425
D371,940 S 7/1996 Krupa
D386,075 S 11/1997 Hayes et al.
D393,798 S 4/1998 Joswick
D417,785 S * 12/1999 Daniels D3/313

(Continued)

OTHER PUBLICATIONS

Mars Containers. (Design -© Questel). orbit.com [online PDF] 52 pages. Upload ranges from Oct. 2, 2013-2014 [retrieved on Apr. 7, 2015]. Retrieved from Internet: <<http://sobjprd.questel.fr/export/QPTUJ214/pdf2/099c057d-aea7-4681-bc1f-2f0adeca8f30-173955.pdf>>.

Primary Examiner — Mark Goodwin

(74) *Attorney, Agent, or Firm* — Arent Fox LLP

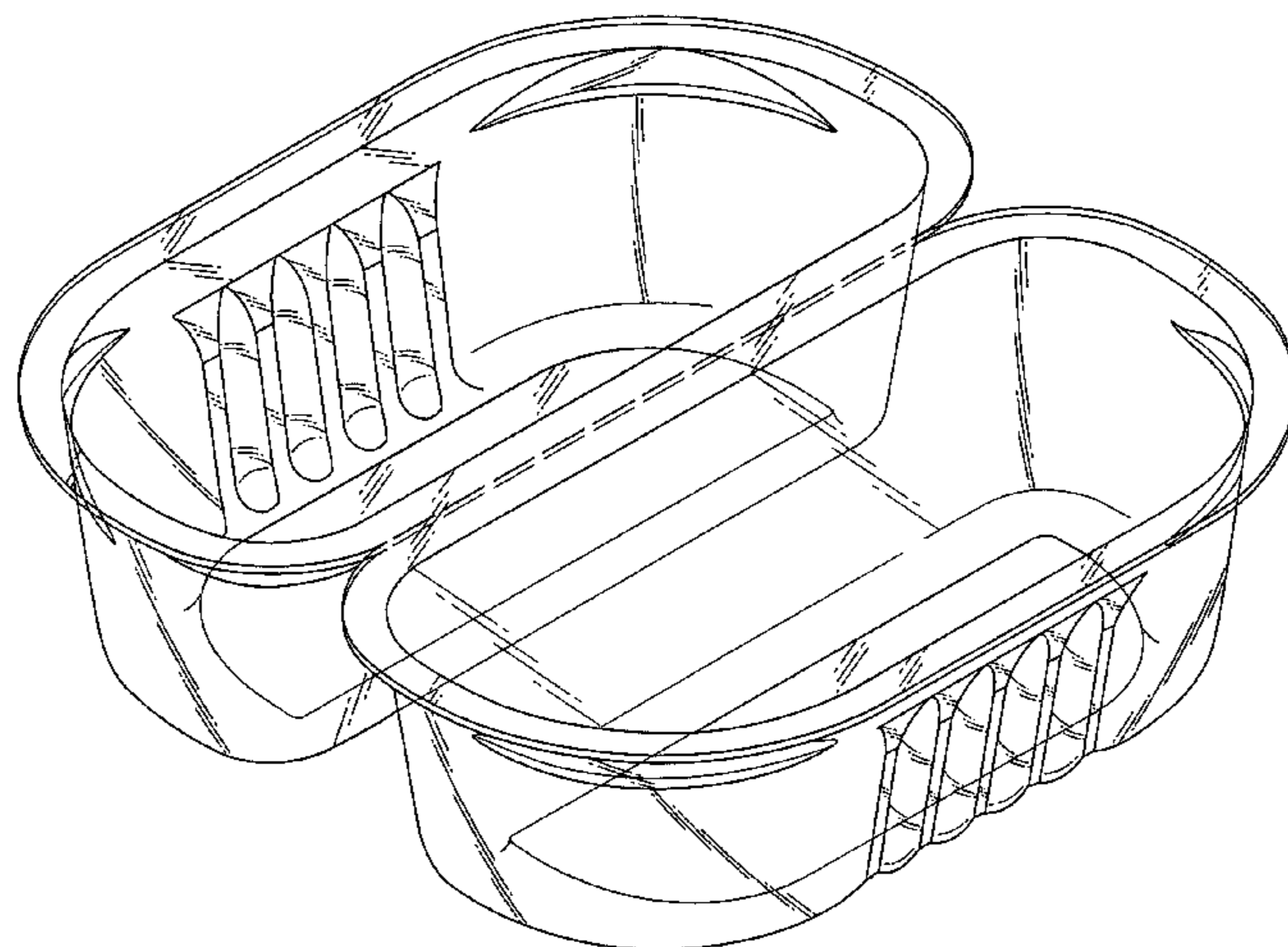
(57) **CLAIM**

The ornamental design for connected single-serve containers, as shown and described.

DESCRIPTION

FIG. 1 is a perspective view of connected single-serve containers showing our new design; FIG. 2 is a front view of the design shown in FIG. 1, the back view being a mirror image thereof; FIG. 3 is a left side view of the design shown in FIG. 1, the right side view being a mirror image thereof; FIG. 4 is a top view of the design shown in FIG. 1; and, FIG. 5 is a bottom view of the design shown in FIG. 1. The broken lines shown in the drawings represent unclaimed portions of the connected single-serve containers and form no part of the claimed design.

1 Claim, 5 Drawing Sheets



(56)

References Cited

U.S. PATENT DOCUMENTS

6,086,931	A *	7/2000	Whiteford	426/118	D543,452	S *	5/2007	Gehring et al.	D9/759
D430,023	S	8/2000	Shurtleff et al.		D543,843	S *	6/2007	Gehring et al.	D9/425
D437,220	S	2/2001	Knutson et al.		D548,069	S *	8/2007	Sagel et al.	D9/425
D448,130	S	9/2001	Wagner		D553,010	S	10/2007	Cutts et al.	
D456,707	S	5/2002	Agarwal		D569,193	S	5/2008	El Ghouyel	
D461,123	S	8/2002	Hayes et al.		D575,148	S *	8/2008	Sagel	D9/761
6,523,686	B1 *	2/2003	Bae	206/315.9	D581,266	S	11/2008	Vovan	
6,619,501	B2	9/2003	Hayes et al.		D585,735	S	2/2009	Vovan et al.	
D485,942	S	1/2004	McLeish		D587,993	S	3/2009	Vovan	
D504,325	S	4/2005	Vovan		D588,937	S	3/2009	Pelletier et al.	
D505,335	S	5/2005	Grenda		D592,497	S	5/2009	Brown	
D510,263	S *	10/2005	Isono et al.	D9/425	D595,154	S	6/2009	Nicholson et al.	
D524,645	S	7/2006	LaMasney		D601,014	S	9/2009	Petitjean	
7,093,816	B2 *	8/2006	Lacan et al.	249/61	D627,221	S	11/2010	Kovatch	
D527,626	S	9/2006	Weiss et al.		D629,702	S *	12/2010	Caldwell et al.	D9/756
D531,029	S	10/2006	Gomoll et al.		D643,309	S	8/2011	Birchmeier et al.	
D535,195	S *	1/2007	Schwab	D9/756	D667,734	S	9/2012	Goodman	
D536,992	S	2/2007	Garg et al.		8,328,043	B2	12/2012	Kessell et al.	
D537,718	S	3/2007	Gomoll et al.		D673,447	S	1/2013	Freeman et al.	
D542,649	S *	5/2007	Sagel et al.	D9/759	D710,701	S	8/2014	Lai	
					D713,741	S	9/2014	Wilmers	
					2009/0321292	A1	12/2009	Prudden et al.	

* cited by examiner

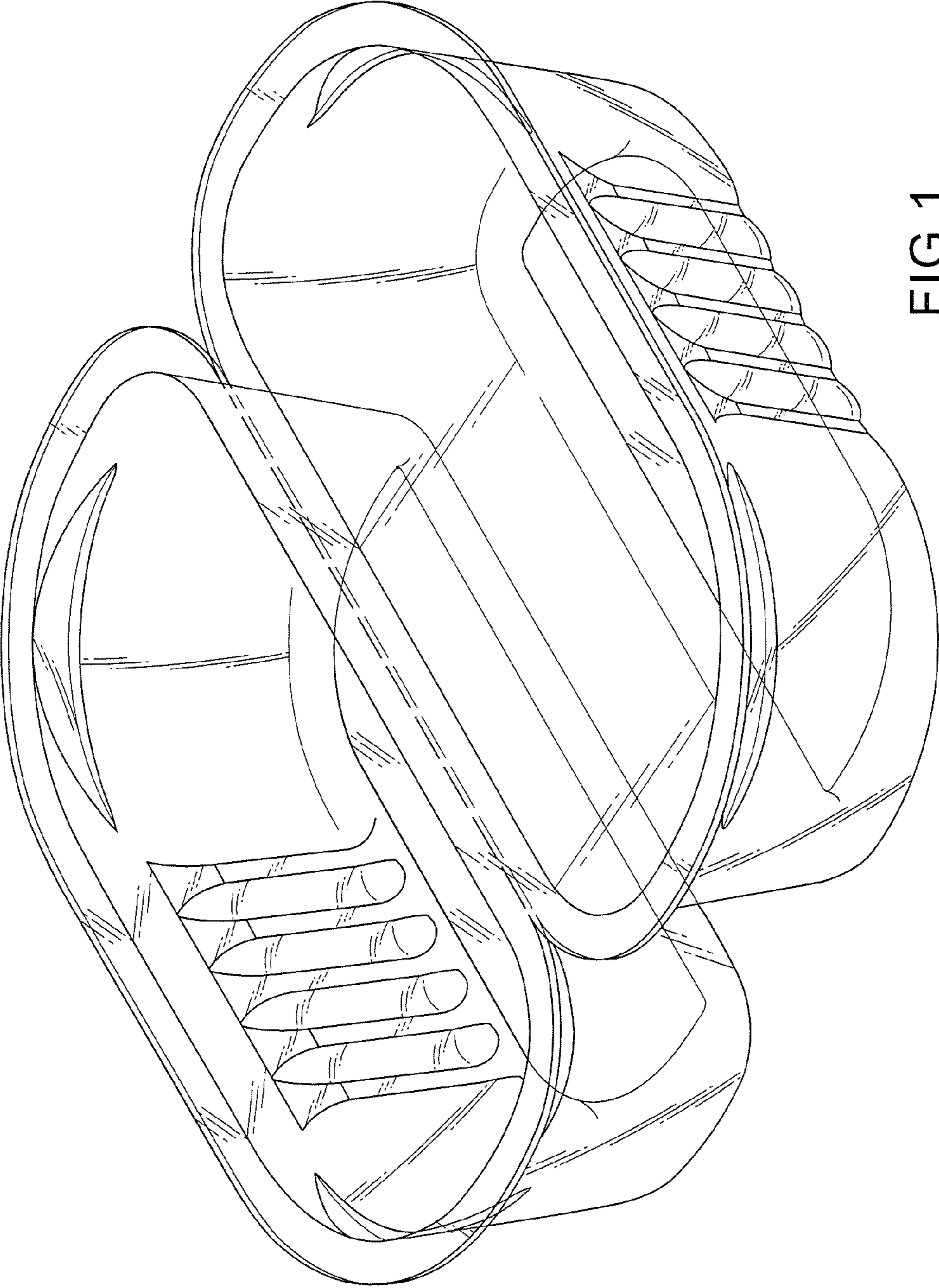


FIG. 1

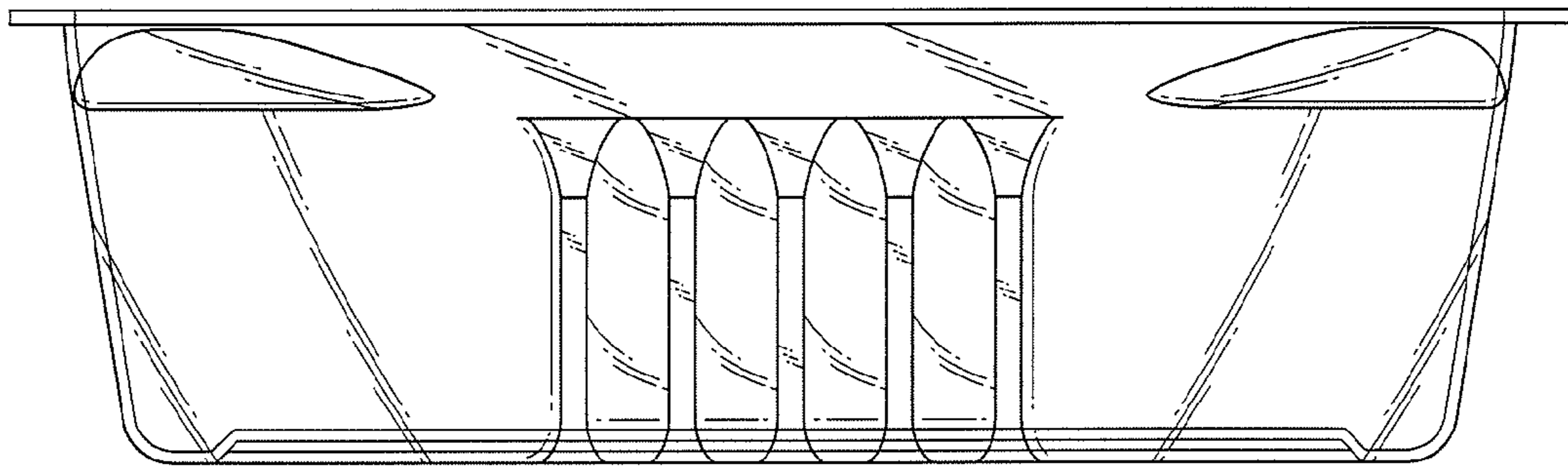


FIG. 2

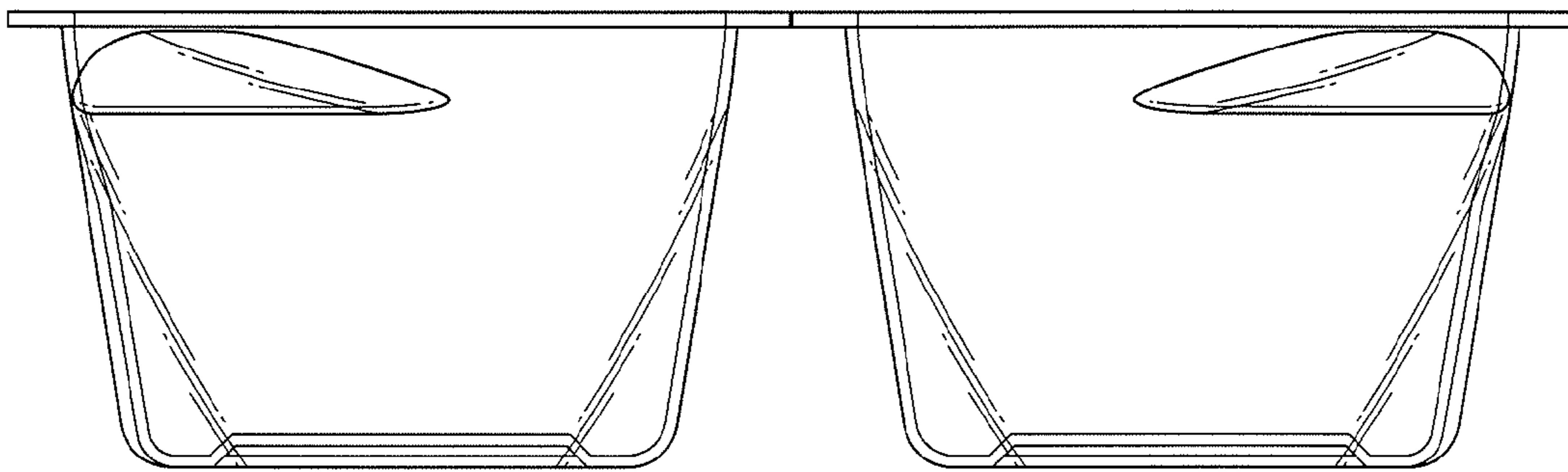


FIG.3

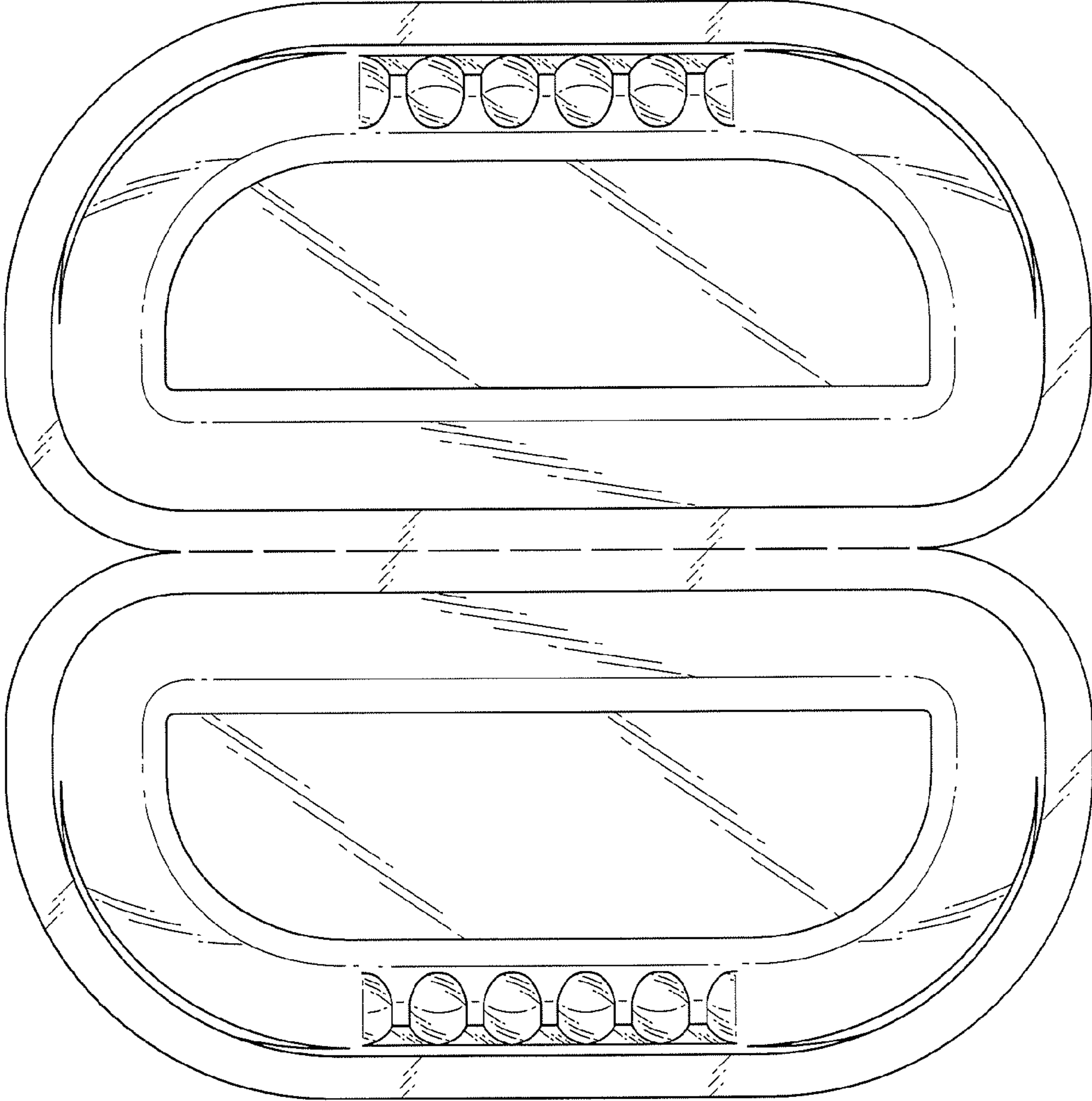


FIG.4

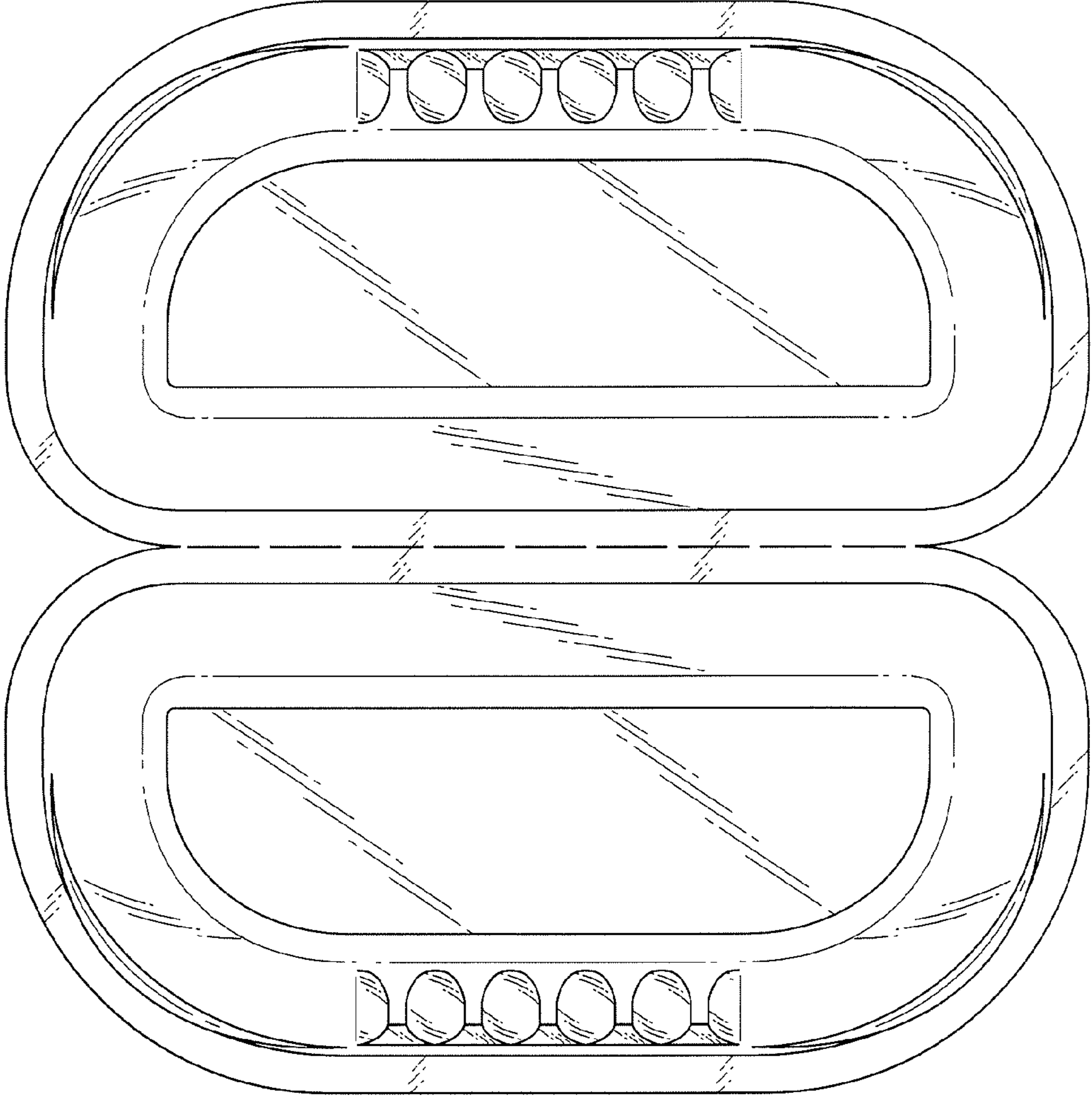


FIG.5