



US00D740134S

(12) **United States Design Patent**  
**Brinda**

(10) **Patent No.:** **US D740,134 S**

(45) **Date of Patent:** **\*\* Oct. 6, 2015**

(54) **BOX SERVING TRAY**

(71) Applicant: **Scott C. Brinda**, Golden Valley, MN  
(US)

(72) Inventor: **Scott C. Brinda**, Golden Valley, MN  
(US)

(\*\*) Term: **14 Years**

(21) Appl. No.: **29/442,964**

(22) Filed: **Jun. 21, 2013**

(51) **LOC (10) Cl.** ..... **09-03**

(52) **U.S. Cl.**  
USPC ..... **D9/755; D9/456**

(58) **Field of Classification Search**  
USPC ..... D9/761, 715, 716, 737, 414, 430, 432,  
D9/433, 456; D3/304; 206/427, 557, 558,  
206/562, 563; D7/509-513, 550.1, 543,  
D7/602; 229/100, 125.25, 179, 902, 904  
CPC ..... B65D 5/20; B65D 5/2009; B65D 5/22;  
B65D 5/42; B65D 5/08  
See application file for complete search history.

(56) **References Cited**

**U.S. PATENT DOCUMENTS**

370,483	A *	9/1887	Jordan	229/172
D134,249	S *	11/1942	Button	D9/761
2,512,963	A *	6/1950	Peiker	206/563
2,640,589	A *	6/1953	Foster et al.	206/562
D170,164	S *	8/1953	Randall	D7/553.3
2,679,971	A *	6/1954	Goldberg	206/563
2,875,940	A *	3/1959	Dunn	206/562
2,924,372	A *	2/1960	Kirkeby	206/563
3,139,228	A *	6/1964	Wilkins	229/178
3,434,649	A *	3/1969	Goings	206/561
3,811,368	A *	5/1974	Bragaglia et al.	493/137
3,944,129	A *	3/1976	McCall et al.	229/104
D261,618	S *	11/1981	Oloff et al.	D9/433
4,520,922	A *	6/1985	Beach	206/738

D281,146 S \* 10/1985 Holewinski ..... D9/761  
4,572,423 A \* 2/1986 Spencer ..... 206/562  
D333,093 S \* 2/1993 Rehrig et al. .... D9/456

(Continued)

**OTHER PUBLICATIONS**

Roll End Tray. atlaslabels.com (online) 1 page. Uploaded Jun. 2014  
[retrieved on Mar. 19, 2015. Retrieved from Internet: https://  
atlaslabels.com/wp-content/uploads/2014/06/Roll-End-Tray1.jpg.\*

*Primary Examiner* — Susan Bennett Hattan

*Assistant Examiner* — Marie Fast Horse

(74) *Attorney, Agent, or Firm* — D L Tschida

(57) **CLAIM**

The ornamental design for a box serving tray, as shown and described.

**DESCRIPTION**

FIG. 1 is an exploded perspective drawing showing left side and top views of my new design for a box serving tray and wherein an unclaimed die cut box piece is shown in dashed line.

FIG. 2 is a perspective drawing showing rear and bottom views of my new design for a box serving tray.

FIG. 3 is a top view thereof;

FIG. 4 is a bottom view thereof;

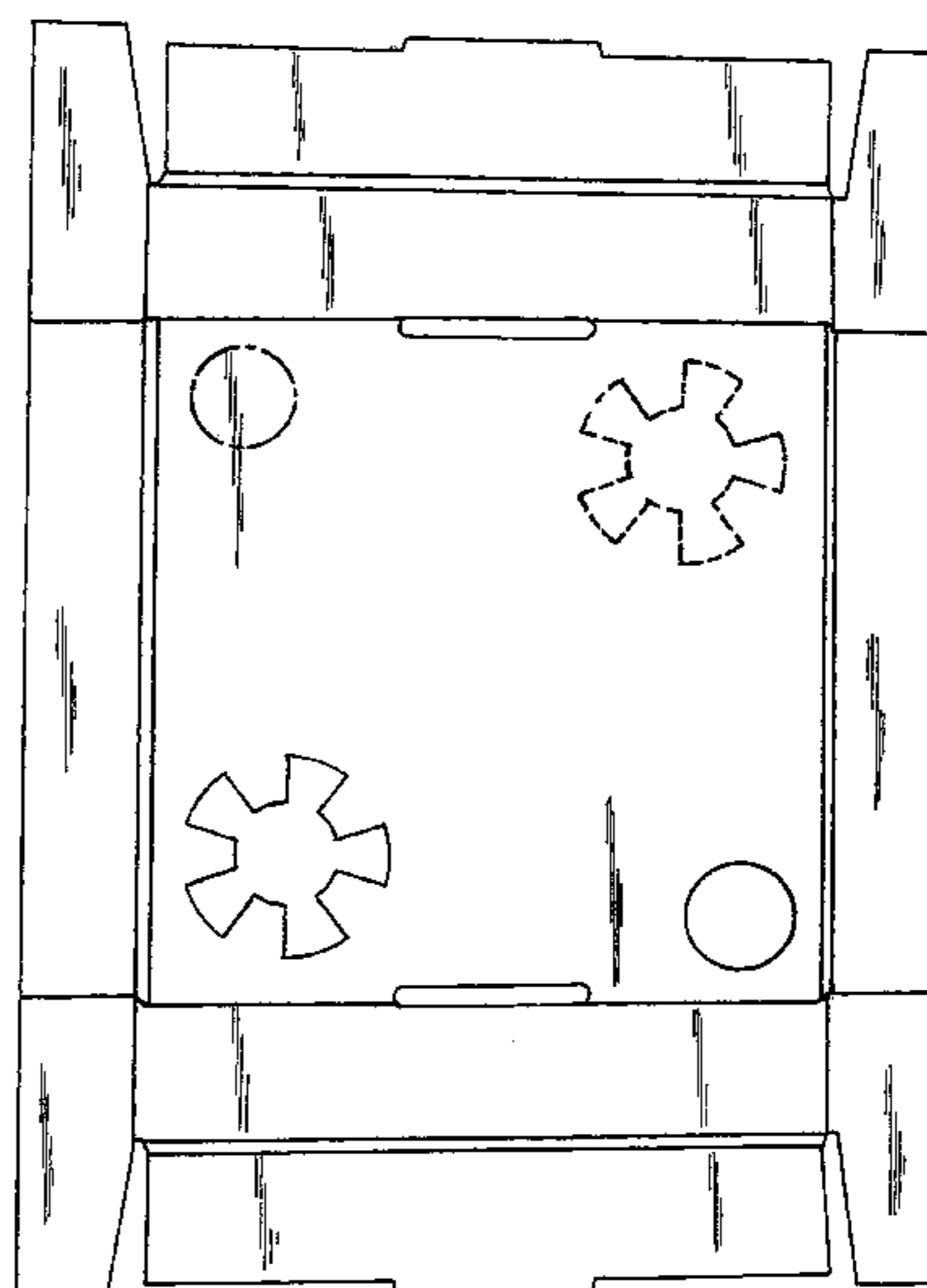
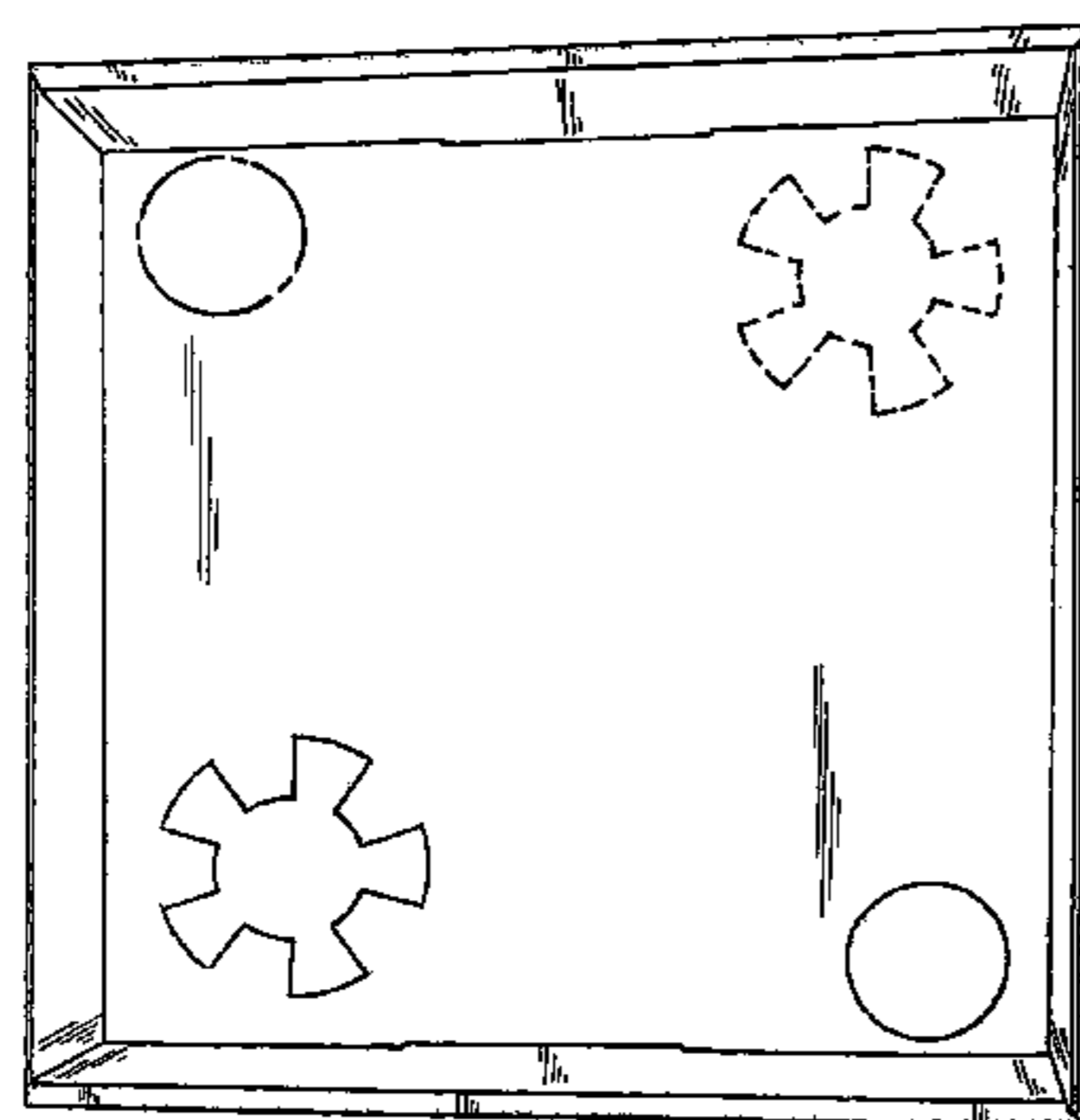
FIG. 5 is a front view thereof, the rear view being a mirror image;

FIG. 6 is a right side view thereof, the left side view being a mirror image; and,

FIG. 7 is a top view thereof shown in an unfolded alternate position.

The matter shown in broken center lines depict scribe lines to die cut slits in the box material for removable box pieces or fold lines and form a part of the claimed design. The broken dashed lines showing the cup and the removed circular die cut box piece in FIG. 1 depict environmental subject matter only and form no part of the claimed design. The broken dashed lines showing an aperture with flaps depict a part of the box serving tray that forms no part of the claimed design.

**1 Claim, 6 Drawing Sheets**



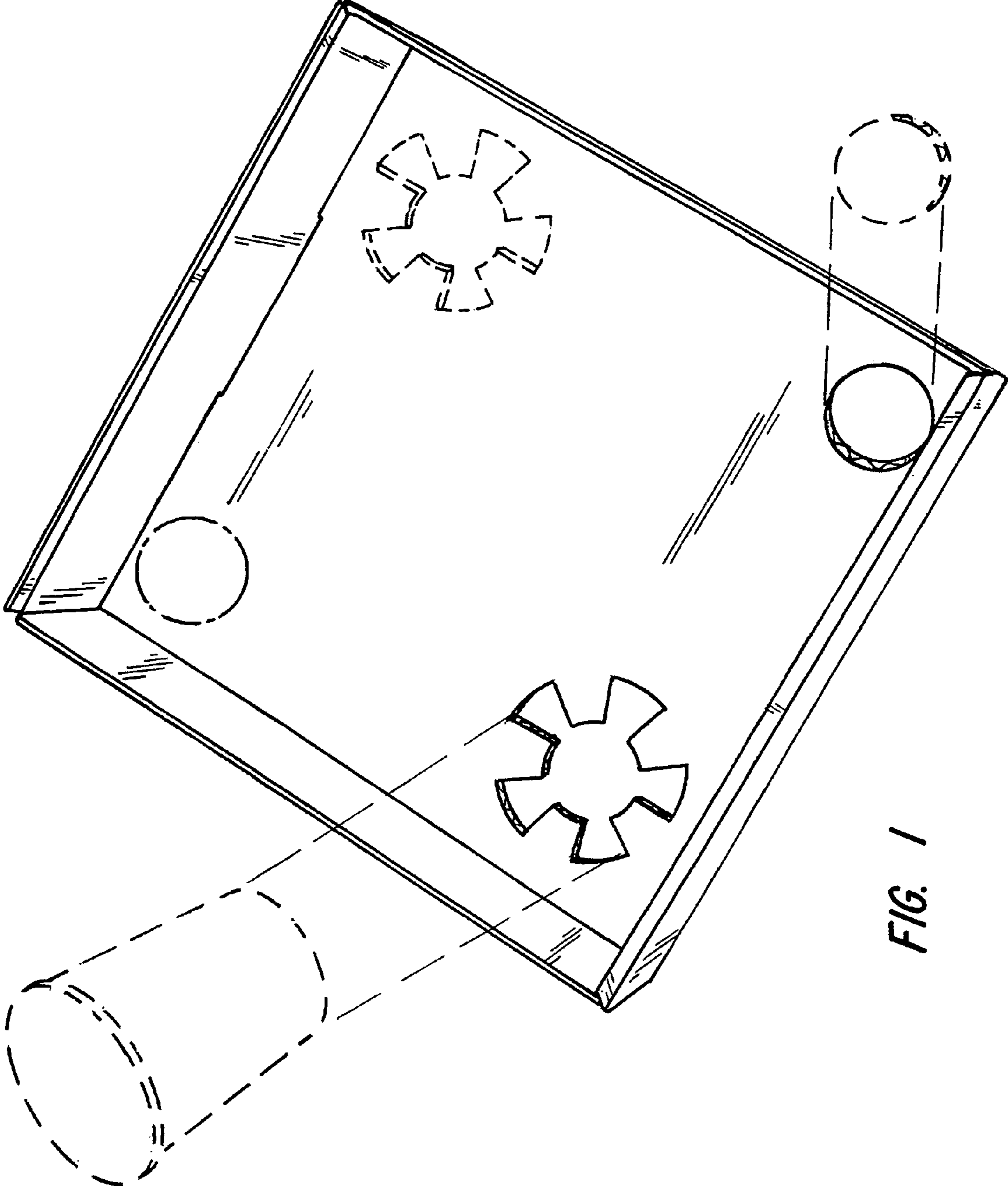
(56)

References Cited

U.S. PATENT DOCUMENTS

D341,499 S *	11/1993	Horne .....	D6/406.3	7,140,488 B1 *	11/2006	Lordahl et al. ....	206/429
5,301,871 A *	4/1994	Gross et al. ....	206/562	D538,656 S *	3/2007	Brooks .....	D9/456
D353,091 S *	12/1994	Mumford .....	D9/761	D567,670 S *	4/2008	Say Ulin .....	D9/753
D369,749 S *	5/1996	English .....	D9/456	D567,671 S *	4/2008	Say Ulin .....	D9/753
D380,379 S *	7/1997	Lindblom et al. ....	D9/761	7,565,997 B1 *	7/2009	Lim .....	229/120.08
D382,200 S *	8/1997	Brondyke et al. ....	D9/761	7,604,115 B2 *	10/2009	Cuomo .....	206/162
D382,201 S *	8/1997	Brondyke et al. ....	D9/761	D633,388 S *	3/2011	Andre et al. ....	D9/456
5,743,389 A *	4/1998	Cutler et al. ....	206/216	D646,984 S *	10/2011	Moore et al. ....	D9/737
5,957,276 A *	9/1999	Cutler et al. ....	206/194	D667,305 S *	9/2012	Kuhn et al. ....	D9/456
5,967,407 A *	10/1999	Mueller .....	229/125.19	8,365,917 B2 *	2/2013	Olesen .....	206/549
D421,218 S *	2/2000	Roemer et al. ....	D9/433	D697,433 S *	1/2014	Pong .....	D9/758
6,179,204 B1 *	1/2001	Blower et al. ....	229/178	8,746,456 B1 *	6/2014	Bradley .....	206/562
D467,797 S *	12/2002	Sullivan .....	D9/761	8,746,544 B2 *	6/2014	Cruz .....	229/125.19
D515,943 S *	2/2006	Hamblin et al. ....	D9/756	8,777,096 B1 *	7/2014	Rodney et al. ....	229/120.34
7,008,656 B2 *	3/2006	Zimmerman et al. ....	426/114	2001/0032875 A1 *	10/2001	Matatall et al. ....	229/164.2
				2007/0051786 A1 *	3/2007	Ho .....	229/117.08
				2013/0048533 A1 *	2/2013	McDonald et al. ....	206/591

\* cited by examiner



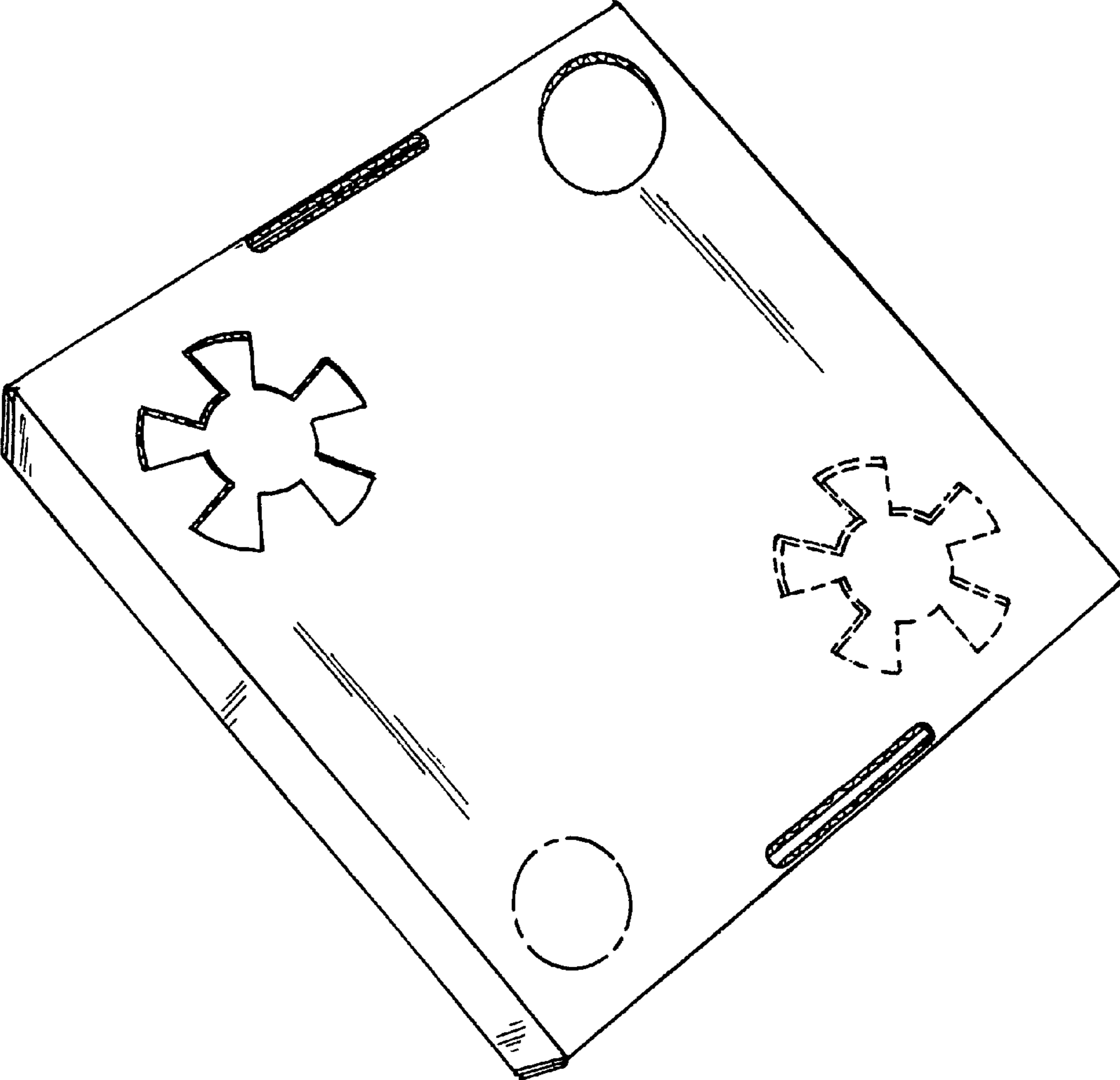


FIG. 2

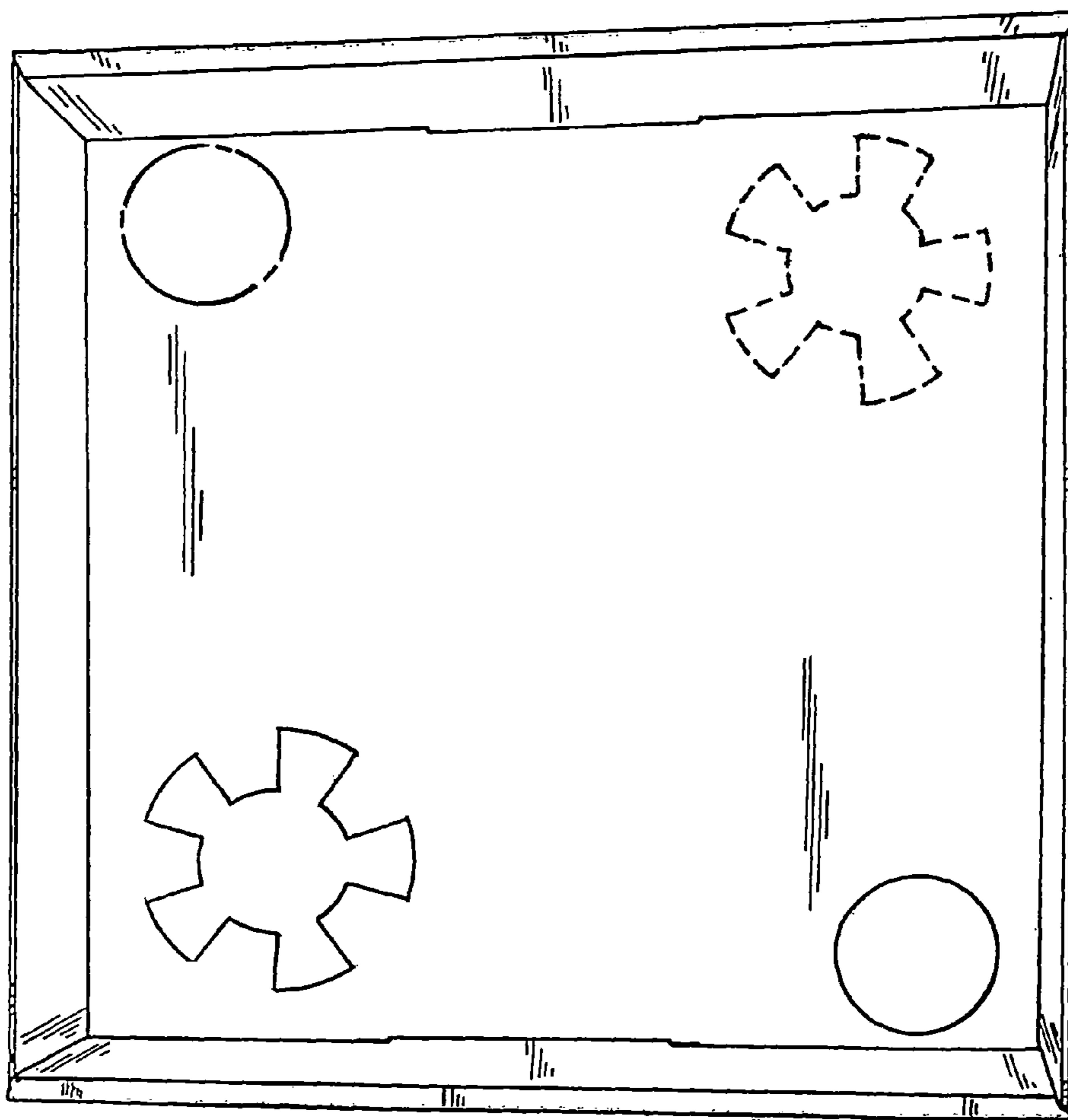


FIG. 3

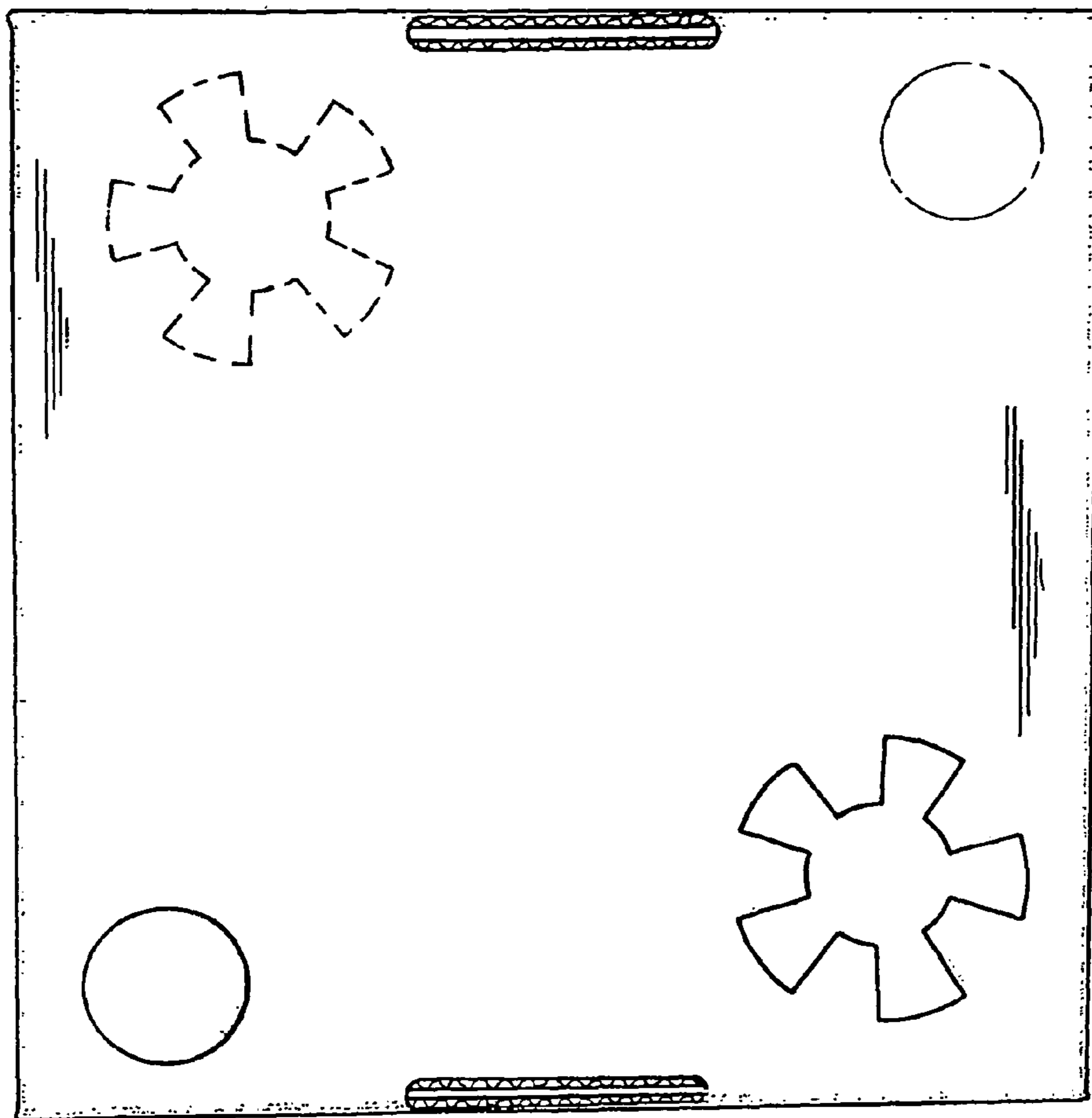
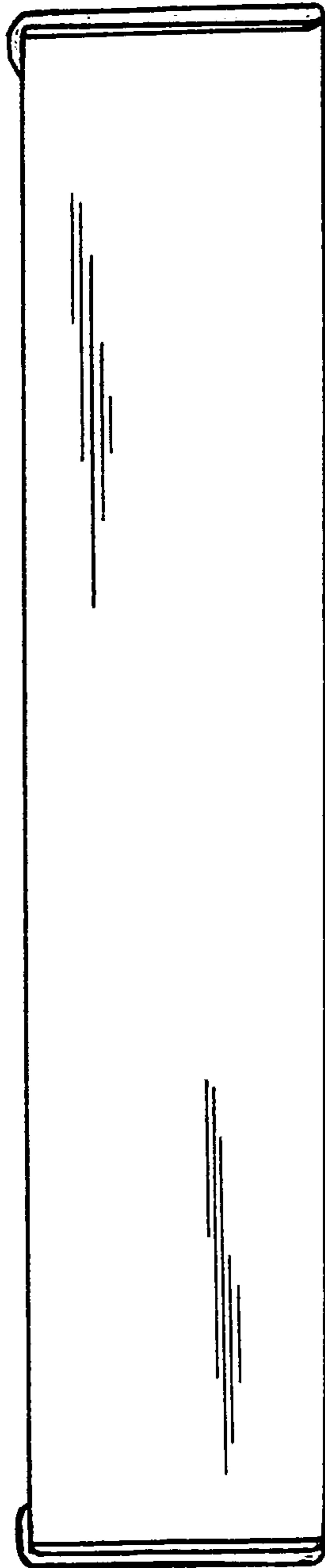
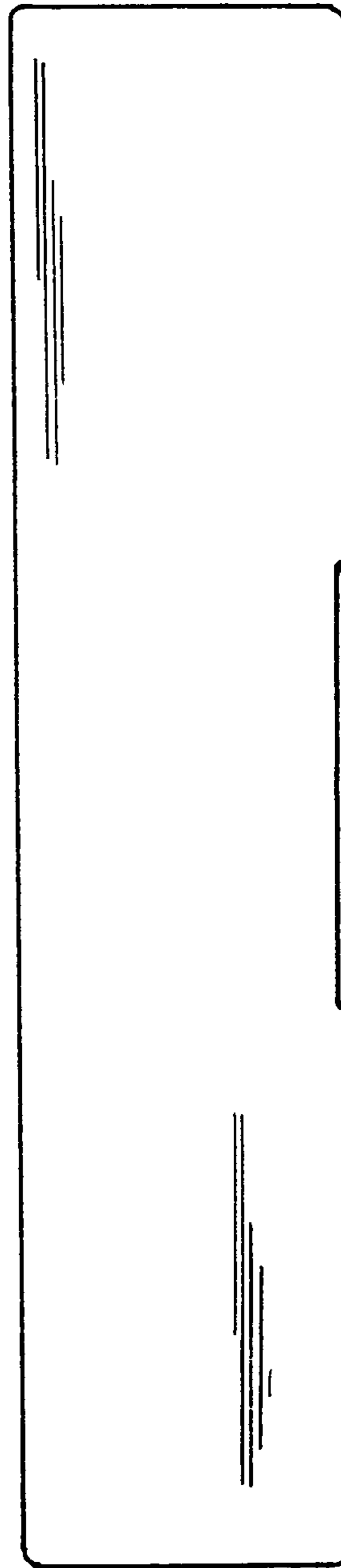


FIG. 4



*FIG. 5*



*FIG. 6*

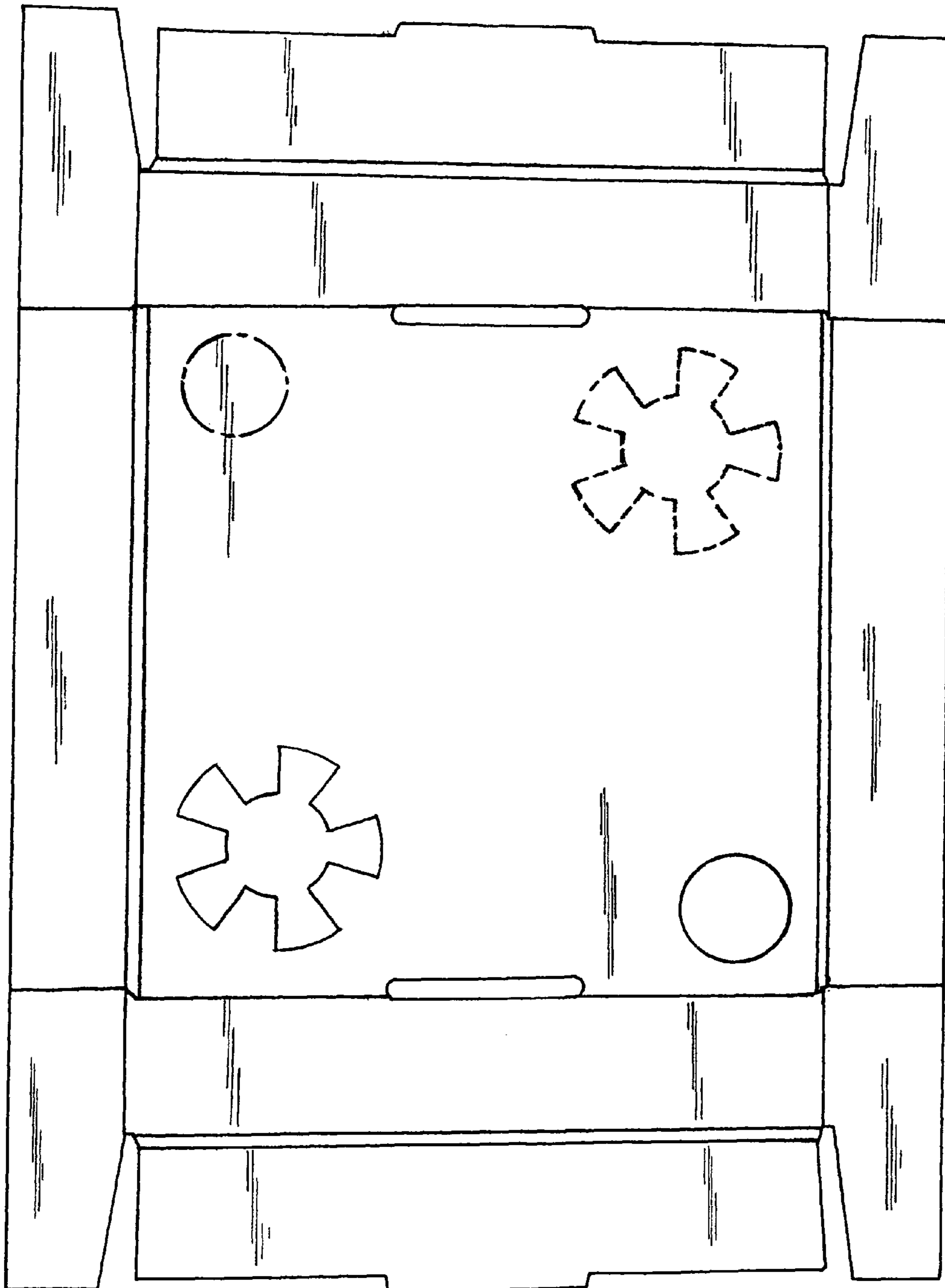


FIG. 7