



US00D740132S

(12) **United States Design Patent**  
**LeStage et al.**

(10) **Patent No.:** **US D740,132 S**  
(45) **Date of Patent:** **\*\* Oct. 6, 2015**

(54) **SNACK CONTAINER**

(71) Applicant: **Frito-Lay North America, Inc.**, Plano, TX (US)

(72) Inventors: **David LeStage**, McKinney, TX (US);  
**Stephen D Tyner**, Dallas, TX (US);  
**Patrick Ryan Windley**, Frisco, TX (US)

(73) Assignee: **Frito-Lay North America, Inc.**, Plano, TX (US)

(\*\*) Term: **14 Years**

(21) Appl. No.: **29/497,887**

(22) Filed: **Jul. 29, 2014**

(51) **LOC (10) Cl.** ..... **09-01**

(52) **U.S. Cl.**  
USPC ..... **D9/703**

(58) **Field of Classification Search**  
USPC ..... D9/702-714, 434-435, 522, 696, 440,  
D9/444, 415-417; 206/822, 811; 383/61.1,  
383/63, 80-81, 106, 103-104, 203, 901,  
383/108, 119; 222/92, 107, 215; 220/260,  
220/288, 495.03; D24/118; D7/317, 321  
See application file for complete search history.

(56) **References Cited**

**U.S. PATENT DOCUMENTS**

D418,747 S \* 1/2000 Sagel ..... D9/707  
D470,406 S \* 2/2003 Espinel et al. .... D9/707

D499,636 S \* 12/2004 Bennie et al. .... D9/707  
D541,171 S \* 4/2007 Delmotte et al. .... D9/709  
D586,232 S \* 2/2009 Friebe et al. .... D9/707  
D630,522 S \* 1/2011 Harvey et al. .... D9/707  
D688,567 S \* 8/2013 Stronski ..... D9/709  
D701,125 S \* 3/2014 Propper ..... D9/709  
D703,548 S \* 4/2014 Dolino ..... D9/707

**OTHER PUBLICATIONS**

Different perspective views of a Crest toothpaste box from Japan (17 pages).

\* cited by examiner

*Primary Examiner* — Caron D Veynar

*Assistant Examiner* — Abraham Bahta

(74) *Attorney, Agent, or Firm* — Colin P. Cahoon; Carstens & Cahoon, LLP

(57) **CLAIM**

The ornamental design for a snack container, as shown and described.

**DESCRIPTION**

FIG. 1 is a top perspective view of the snack container showing our new design;

FIG. 2 is a bottom perspective view thereof;

FIG. 3 is a front view thereof;

FIG. 4 is a back view thereof;

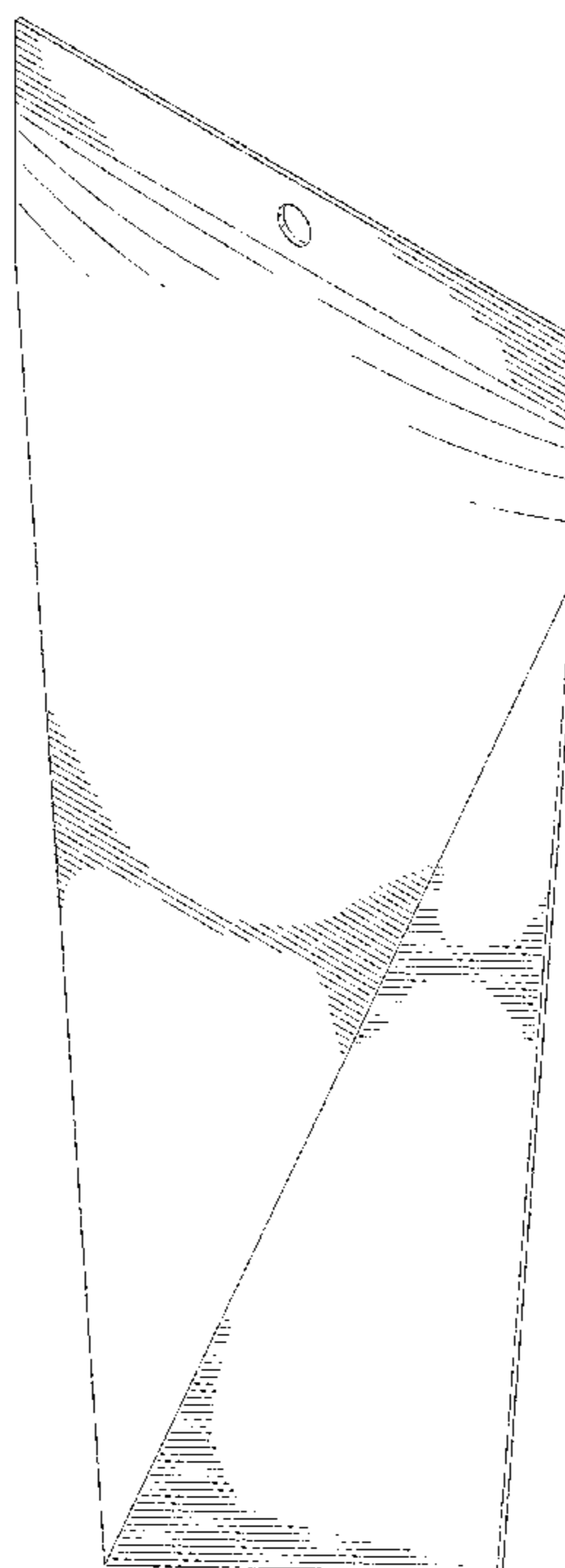
FIG. 5 is a right side view thereof;

FIG. 6 is as left side thereof;

FIG. 7 is a top view thereof; and,

FIG. 8 is a bottom view thereof.

**1 Claim, 6 Drawing Sheets**



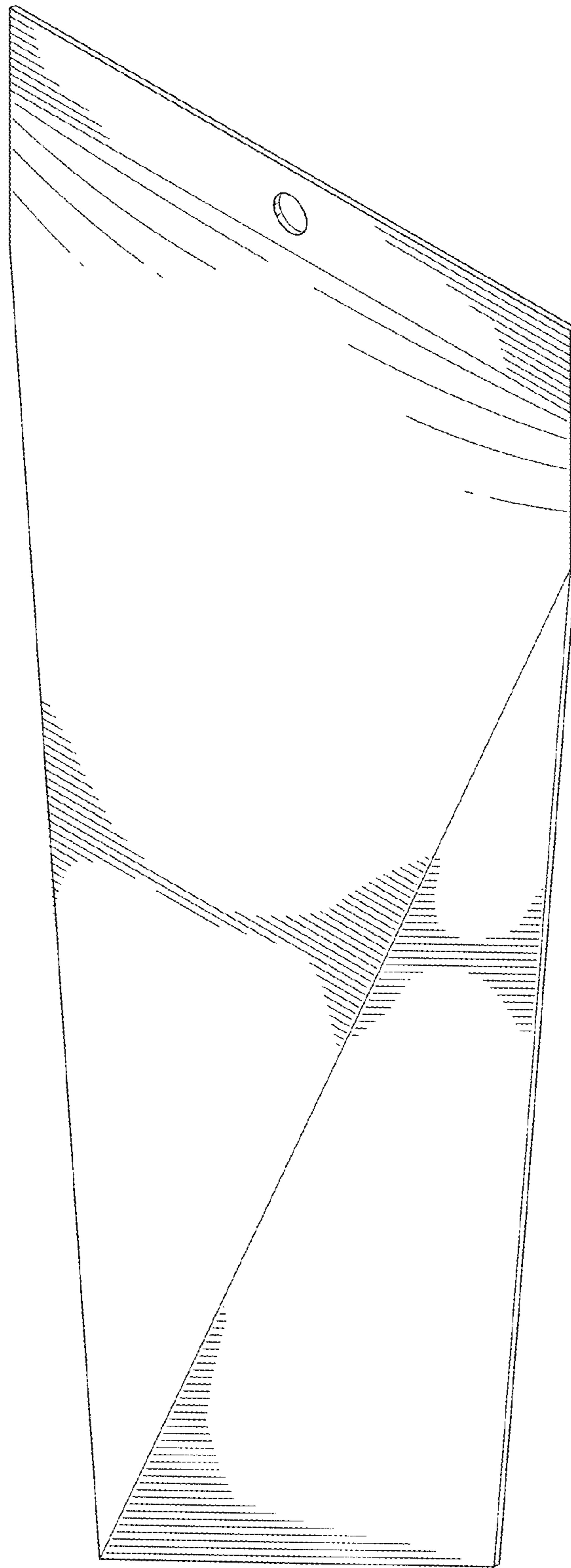


FIG. 1

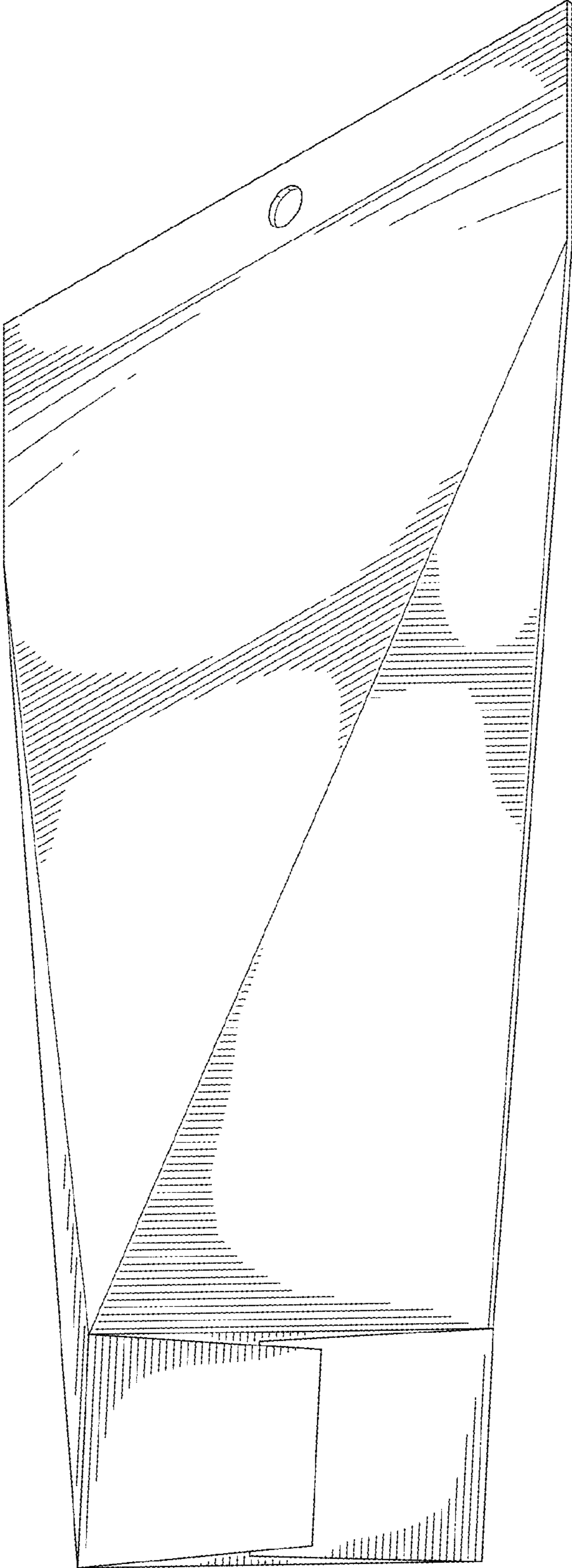


FIG. 2

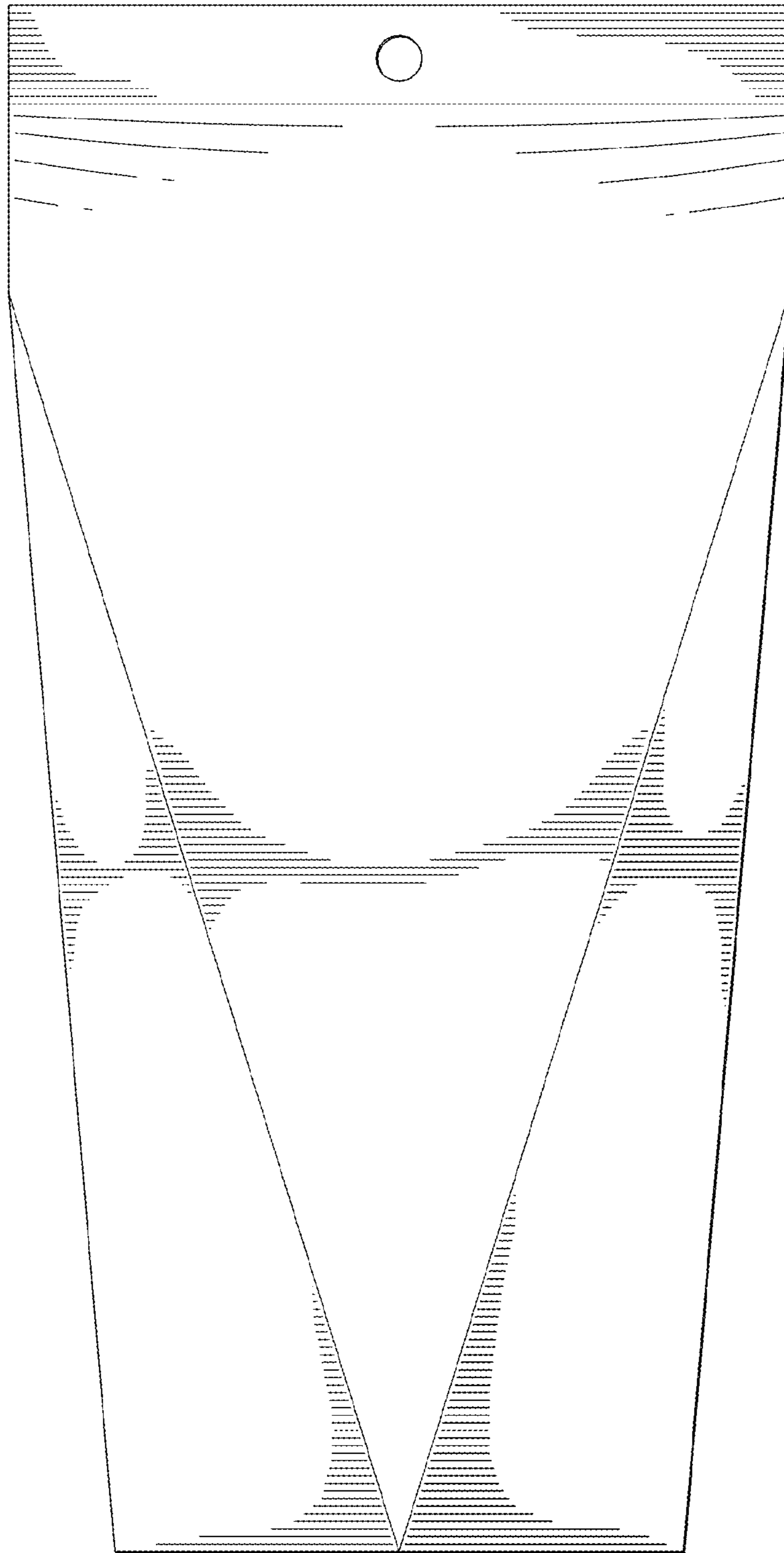


FIG. 3

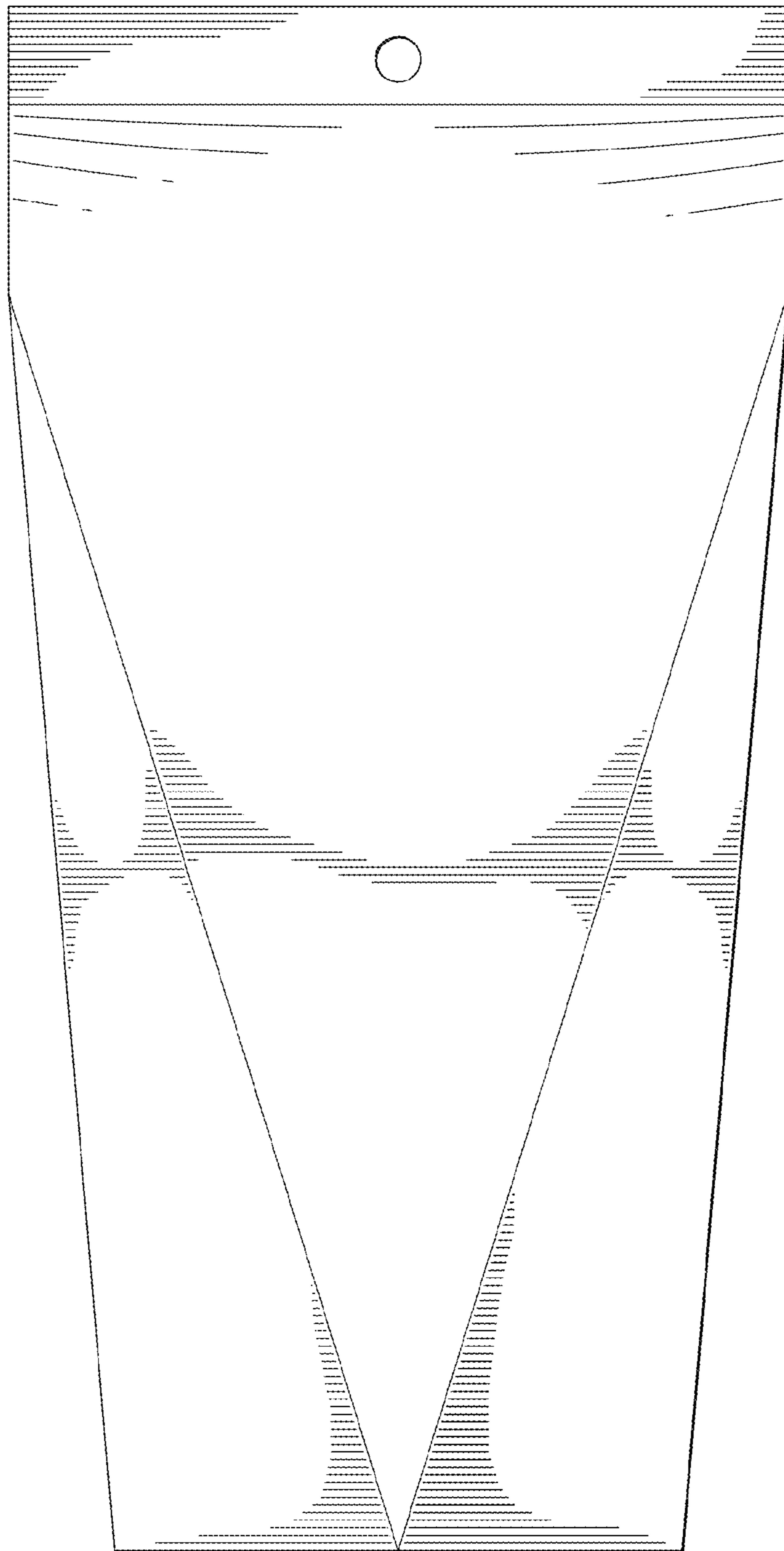


FIG. 4

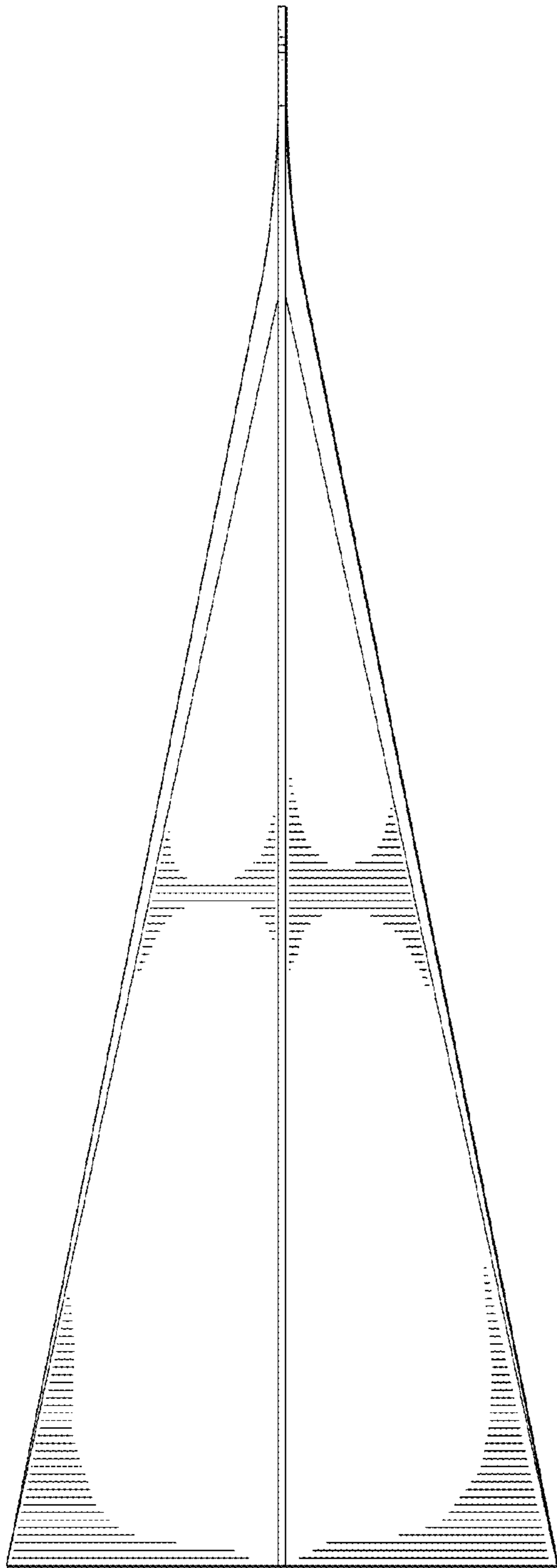


FIG. 5

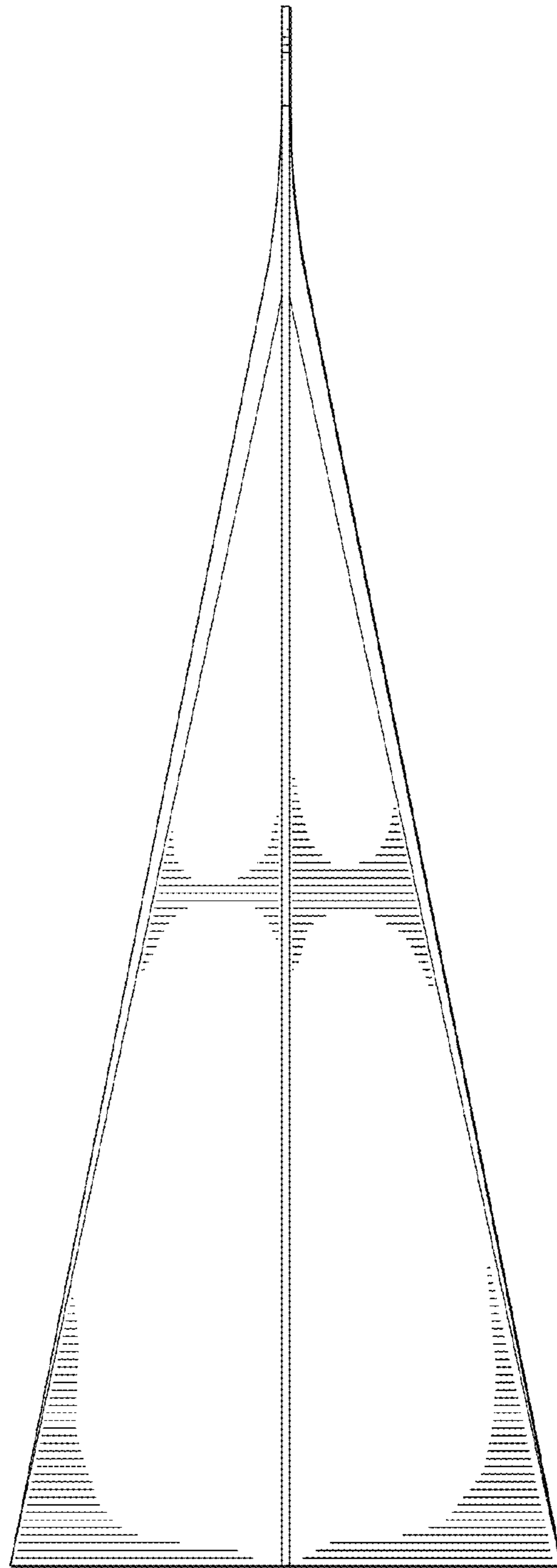


FIG. 6

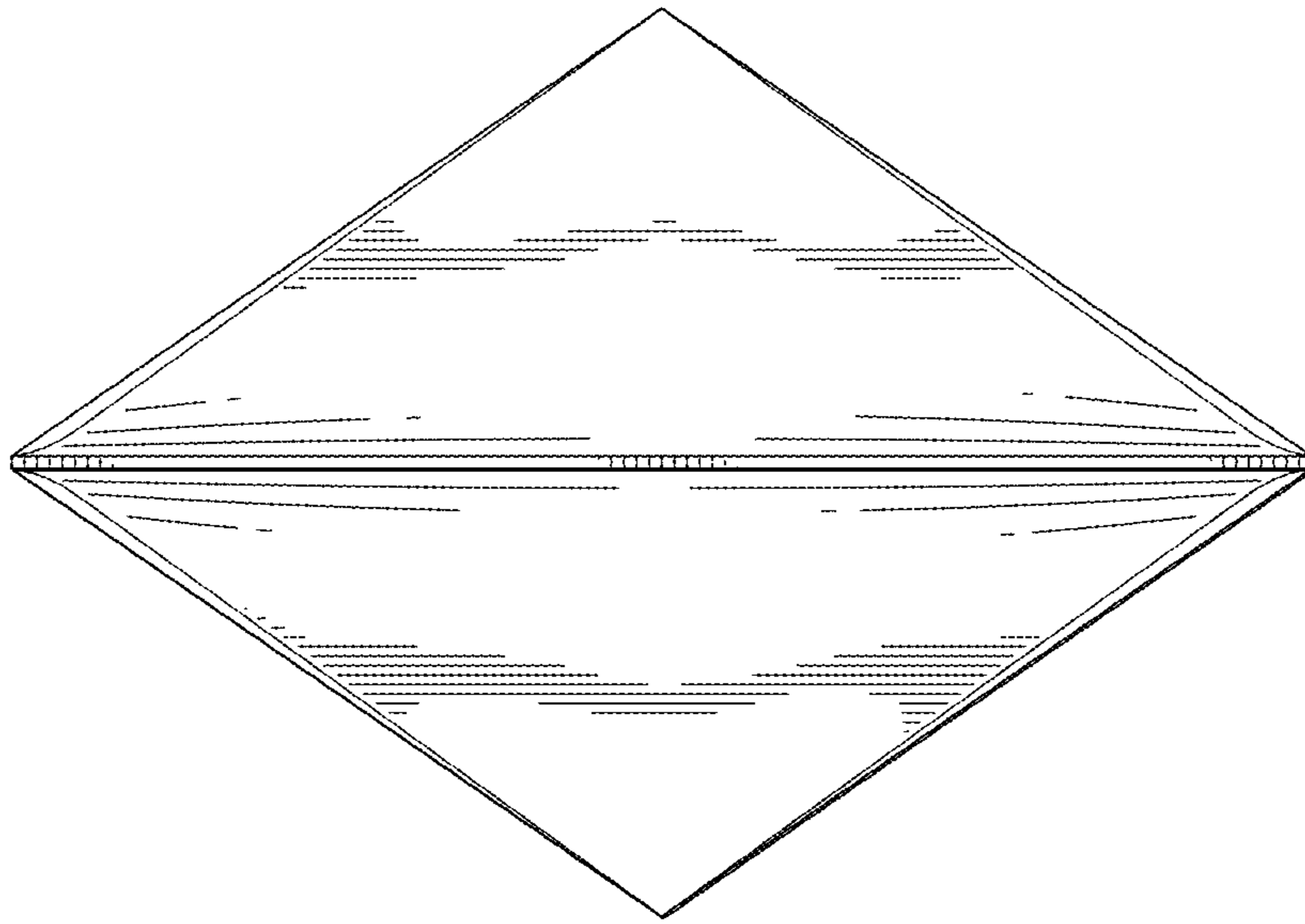


FIG. 7

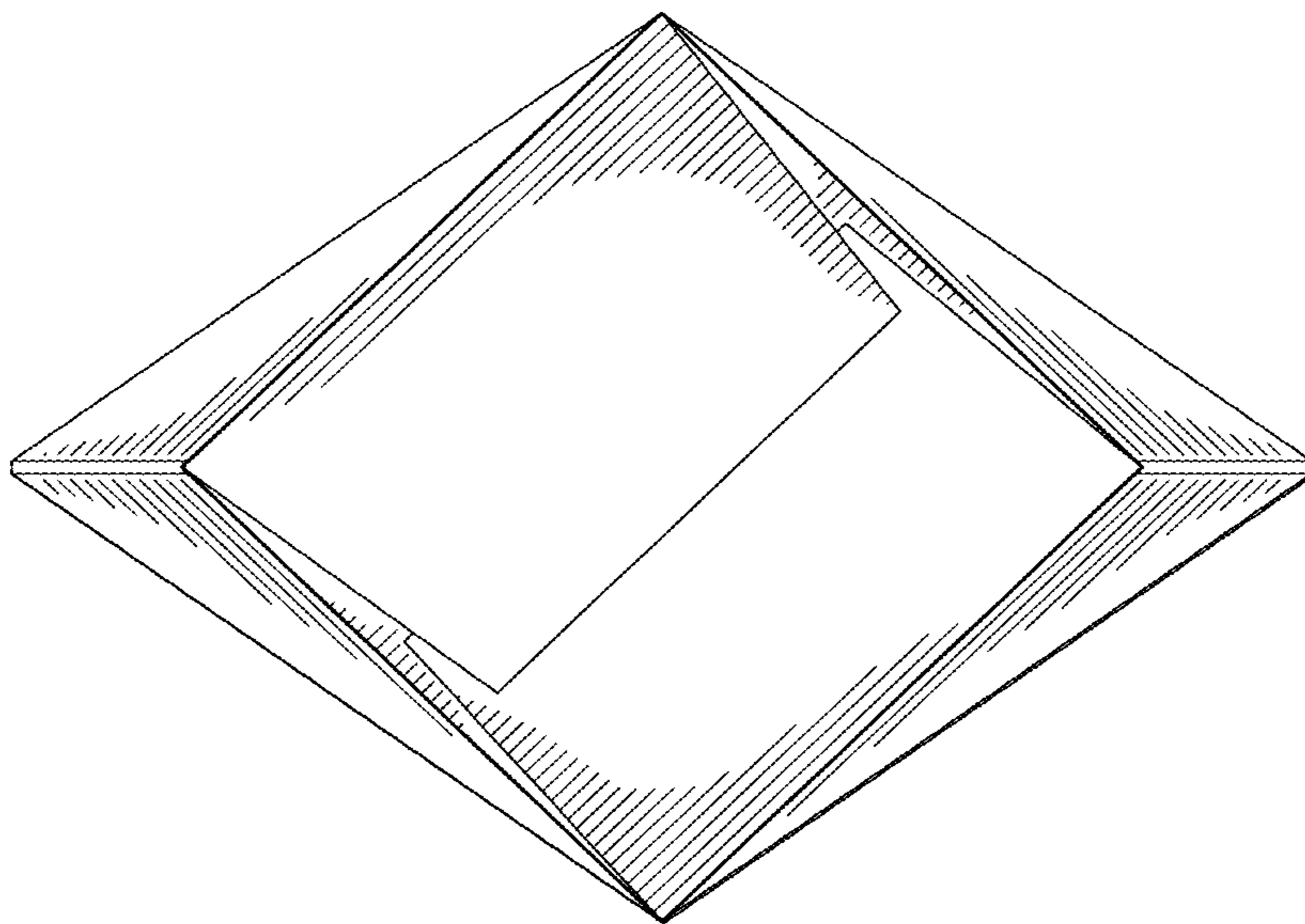


FIG. 8