



US00D740128S

(12) **United States Design Patent**
Martin et al.

(10) **Patent No.:** **US D740,128 S**
(45) **Date of Patent:** **** Oct. 6, 2015**

- (54) **BOTTLE**
- (71) Applicant: **Ardagh Group**, Muncie, IN (US)
- (72) Inventors: **Steven W. Martin**, Ridgeville, IN (US);
Mark A. Repko, Indianapolis, IN (US)
- (73) Assignee: **Ardagh Glass Inc.**, Muncie, IN (US)
- (**) Term: **14 Years**
- (21) Appl. No.: **29/496,961**
- (22) Filed: **Jul. 18, 2014**

| | | | |
|--------------|---------|----------------|--------|
| D319,008 S | 8/1991 | Leon | |
| D324,330 S | 3/1992 | Feletto | |
| D354,417 S | 1/1995 | Rigsby | |
| D389,734 S * | 1/1998 | Schultz et al. | D9/668 |
| D391,155 S | 2/1998 | Edson et al. | |
| D399,419 S * | 10/1998 | Edson | D9/668 |
| D411,422 S | 6/1999 | Juhlin et al. | |
| D419,058 S | 1/2000 | Roth et al. | |
| D422,208 S | 4/2000 | Brose | |
| D422,491 S | 4/2000 | Van Oldenborgh | |
| D424,876 S * | 5/2000 | McPartland | D7/515 |
| D427,057 S | 6/2000 | Roth et al. | |
| D427,514 S | 7/2000 | Roth et al. | |
| D427,515 S | 7/2000 | Roth et al. | |
| D455,351 S | 4/2002 | Bailey | |
| D456,706 S | 5/2002 | Rhodes et al. | |
| D459,984 S | 7/2002 | Davis | |
| D474,372 S | 5/2003 | Leon | |
| D475,892 S | 6/2003 | Andres et al. | |
| D501,404 S | 2/2005 | Dalton et al. | |
| D519,384 S | 4/2006 | Voss et al. | |
| D526,906 S | 8/2006 | Yorn et al. | |
| D540,692 S | 4/2007 | Yorn et al. | |

Related U.S. Application Data

- (63) Continuation of application No. 29/448,836, filed on Mar. 14, 2013, now Pat. No. Des. 711,248.
- (51) **LOC (10) Cl.** **09-01**
- (52) **U.S. Cl.**
USPC **D9/668**
- (58) **Field of Classification Search**
USPC D3/270, 271.1-271.4; D7/514-520,
D7/599, 604, 613, 619.2, 623, 628, 901;
D9/667-668, 500, 502-505, 516,
D9/537-545, 548, 549-550, 556-558,
D9/563-564; 206/457, 459.5, 527;
215/387-388, 381-384, 400; 220/890
CPC B65D 5/4258; B65D 81/60; B65D 81/365;
B65D 81/366; B65D 81/368; B65D 2203/00;
B65D 2203/02
See application file for complete search history.

(56) **References Cited**

U.S. PATENT DOCUMENTS

| | | | |
|--------------|--------|-------------|--------|
| D166,542 S | 4/1952 | Kunett | |
| D242,971 S * | 1/1977 | Schlichter | D7/515 |
| 4,164,284 A | 8/1979 | Witt et al. | |

(Continued)

Primary Examiner — Sandra Morris

(74) *Attorney, Agent, or Firm* — John V. Daniluck; Bingham Greenbaum Doll LLP

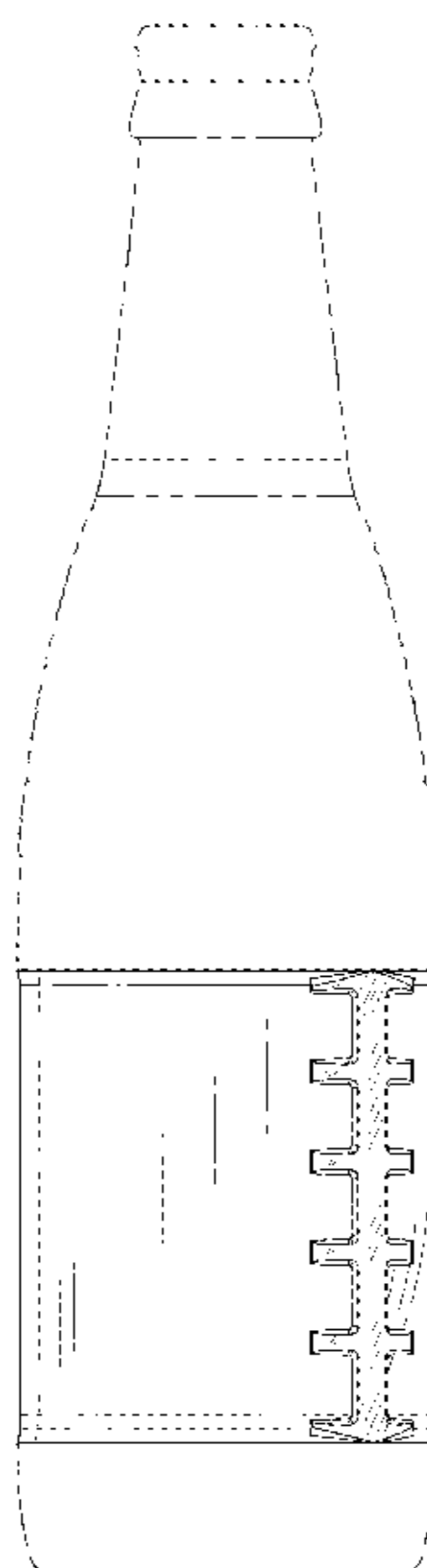
(57) **CLAIM**

The ornamental design for a bottle, as shown and described.

DESCRIPTION

FIG. 1 is a top, front, right side perspective view of a portion of a bottle showing my new design, the broken lines forming no part of the claimed design;
 FIG. 2 is a left side elevational view of the bottle of FIG. 1;
 FIG. 3 is a rear elevational view of the bottle of FIG. 1;
 FIG. 4 is a front elevational view of the bottle of FIG. 1; and,
 FIG. 5 is a right side elevational view of the bottle of FIG. 1.

1 Claim, 5 Drawing Sheets



(56)

References Cited

U.S. PATENT DOCUMENTS

D544,367 S 6/2007 Calderon-Bautista
D547,200 S 7/2007 Bourne
D585,293 S 1/2009 Honkawa
D587,070 S 2/2009 Thompson
D601,851 S 10/2009 Lopez

D604,562 S 11/2009 Lopez
D609,111 S 2/2010 Bentley et al.
D614,504 S 4/2010 Coat
D619,904 S 7/2010 Ciucciomei
D621,270 S 8/2010 Arnell
D624,827 S 10/2010 Hartman
D665,265 S 8/2012 Fonseca

* cited by examiner

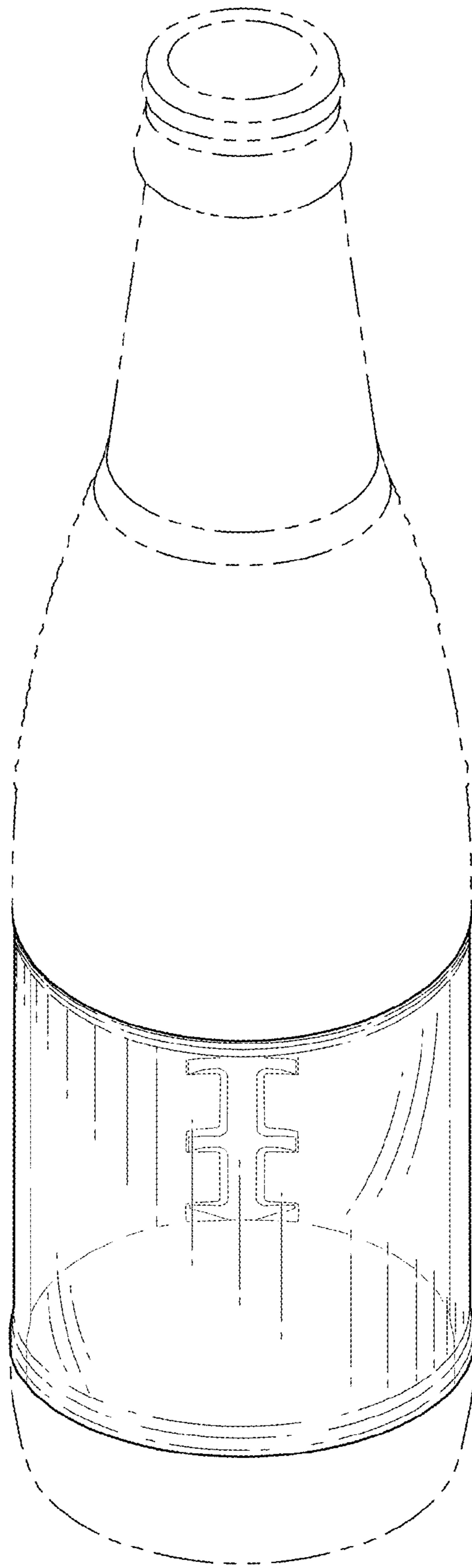


Fig. 1

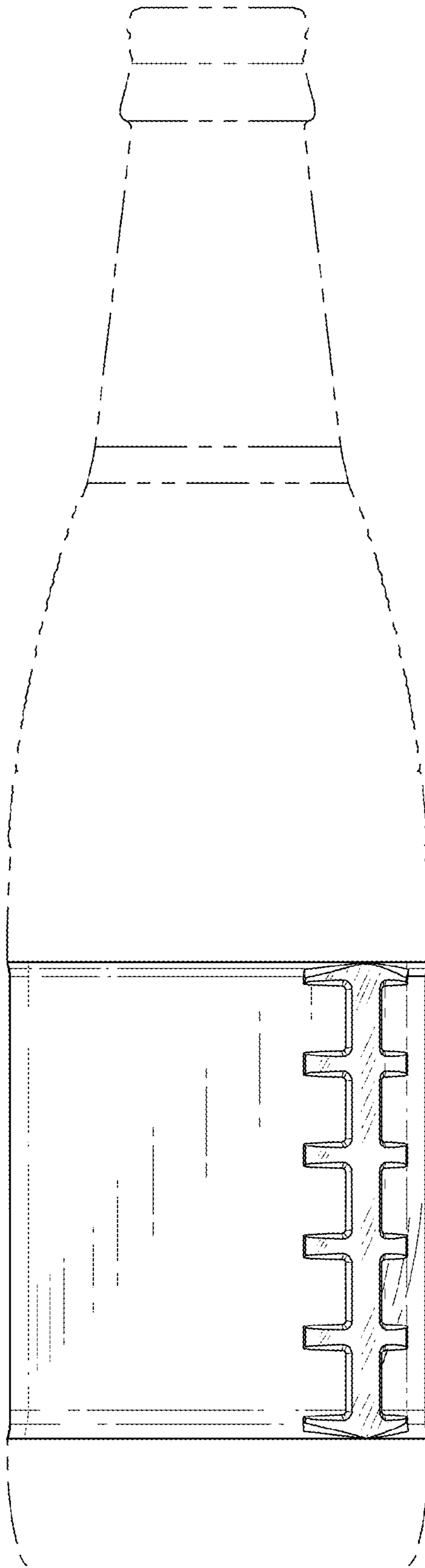


Fig. 2

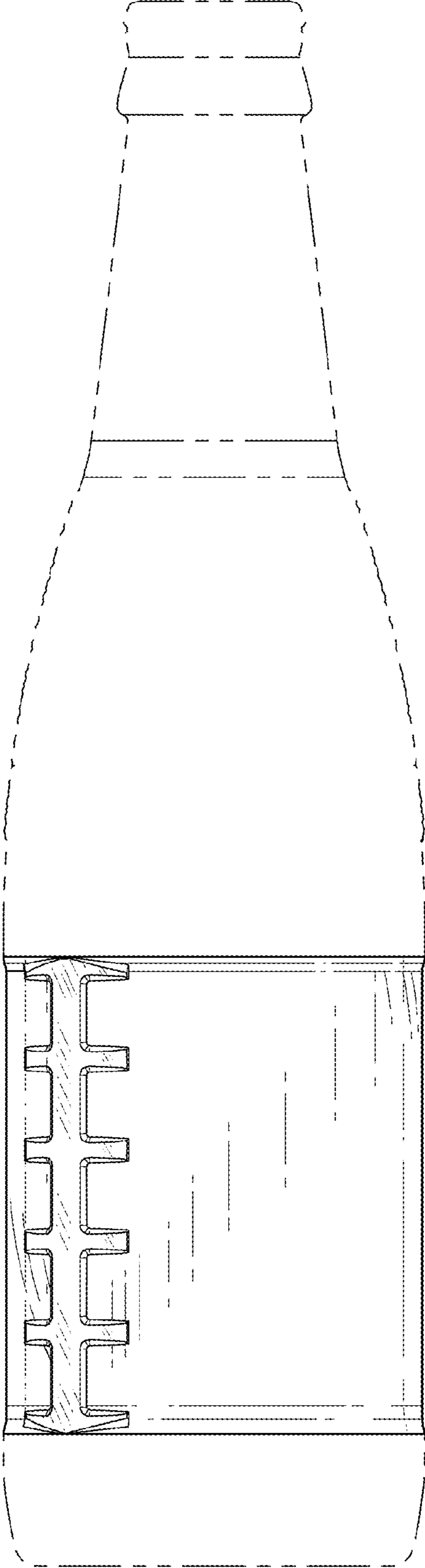


Fig. 3

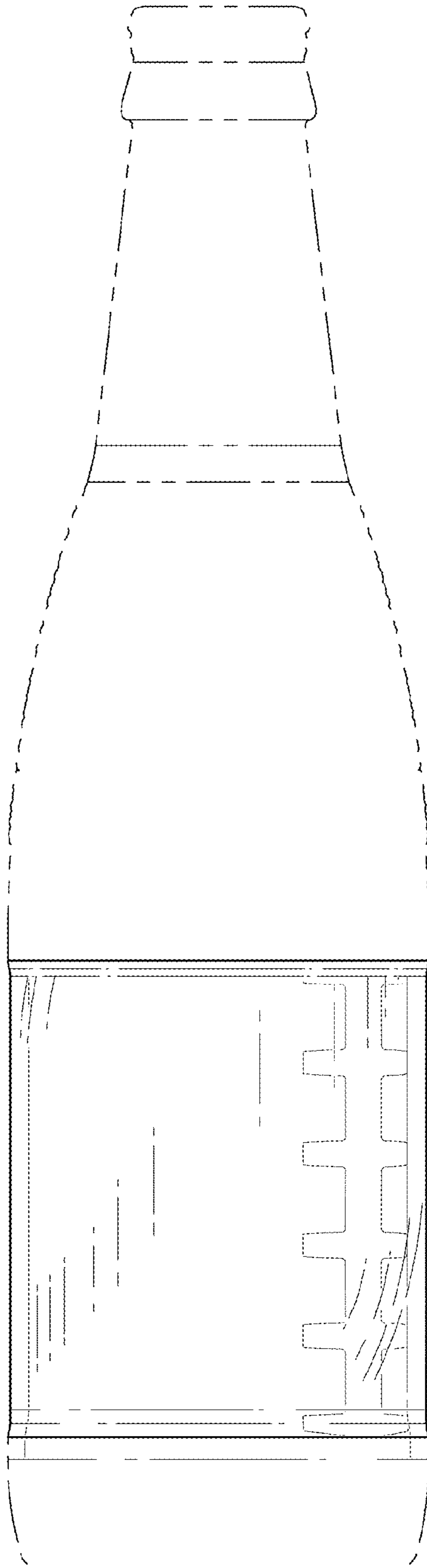


Fig. 4

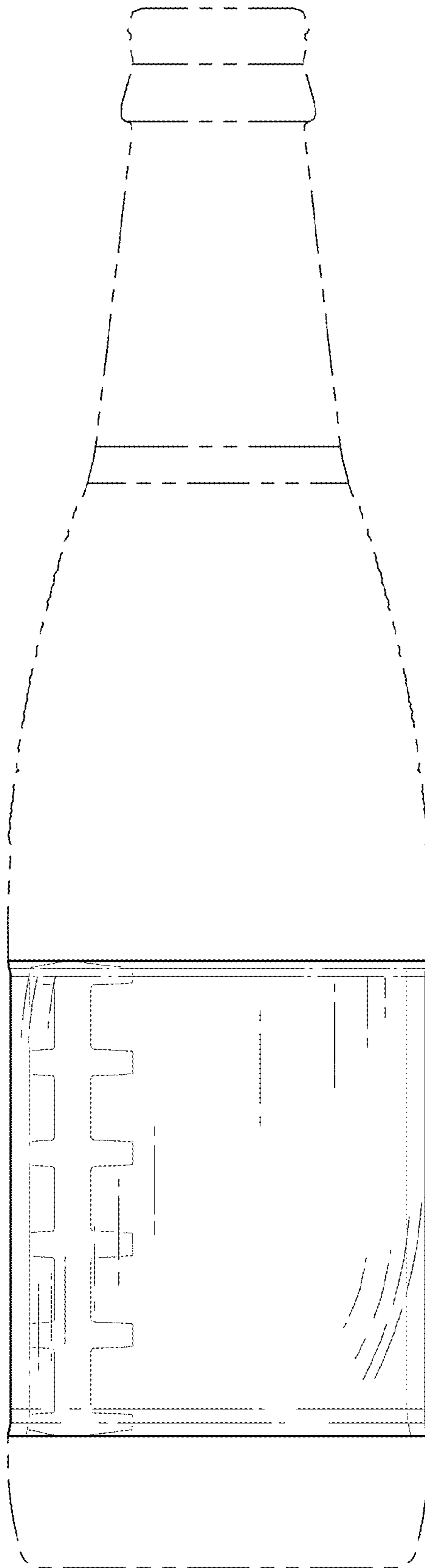


Fig. 5