



US00D740127S

(12) **United States Design Patent**  
**Chertoff**

(10) **Patent No.:** **US D740,127 S**

(45) **Date of Patent:** **\*\* Oct. 6, 2015**

(54) **FRAGRANCE BOTTLE WITH CAP**

(71) Applicant: **Jesse A. Chertoff**, Tenafly, NJ (US)

(72) Inventor: **Jesse A. Chertoff**, Tenafly, NJ (US)

(73) Assignee: **AERIN LLC**, New York, NY (US)

(\*\*) Term: **14 Years**

(21) Appl. No.: **29/450,620**

(22) Filed: **Mar. 20, 2013**

(51) **LOC (10) Cl.** ..... **09-01**

(52) **U.S. Cl.**  
USPC ..... **D9/559**; D9/444; D9/454; D9/560;  
D9/563; D9/566; D9/575

(58) **Field of Classification Search**

USPC ..... D9/434-435, 439, 444-445, 454, 516,  
D9/544, 546, 559-560, 563, 566, 572, 575,  
D9/682, 686-687, 694, 715, 719; D7/300,  
D7/300.1, 316, 598; D28/91.1

CPC ..... B65D 1/00; B65D 1/02; B65D 1/0223;  
B65D 23/00; B65D 83/00; B65D 83/14;  
B65D 83/20; B65D 83/38; B65D 2501/00;  
B65D 2501/0009; B65D 2501/0081; B05B  
11/0037

See application file for complete search history.

(56) **References Cited**

**U.S. PATENT DOCUMENTS**

D72,687 S 5/1927 Viennet  
D103,789 S \* 3/1937 Nitardy ..... D9/543  
D133,415 S 8/1942 Mayer

(Continued)

**FOREIGN PATENT DOCUMENTS**

CN 301740820 11/2011  
CN 301965177 6/2012

(Continued)

*Primary Examiner* — Dana L Meyrow

(74) *Attorney, Agent, or Firm* — Cynthia R. Miller

(57) **CLAIM**

The ornamental design for a fragrance bottle with cap, substantially as shown and described.

**DESCRIPTION**

FIG. 1 is a top, front and right side perspective view of a first embodiment of my new design for a fragrance bottle with cap; FIG. 2 is a bottom, front and right side perspective view of the fragrance bottle with cap of FIG. 1;

FIG. 3 is a front elevation view of the fragrance bottle with cap of FIG. 1;

FIG. 4 is a right side elevation view of the fragrance bottle with cap of FIG. 1;

FIG. 5 is a rear elevation view of the fragrance bottle with cap of FIG. 1;

FIG. 6 is a left side elevation view of the fragrance bottle with cap of FIG. 1;

FIG. 7 is a top plan view of the fragrance bottle with cap of FIG. 1;

FIG. 8 is a top, front and right side perspective view of a second embodiment of my new design for a fragrance bottle with cap;

FIG. 9 is a bottom, front and right side perspective view of the fragrance bottle with cap of FIG. 8;

FIG. 10 is a front elevation view of the fragrance bottle with cap of FIG. 8;

FIG. 11 is a right side elevation view of the fragrance bottle with cap of FIG. 8;

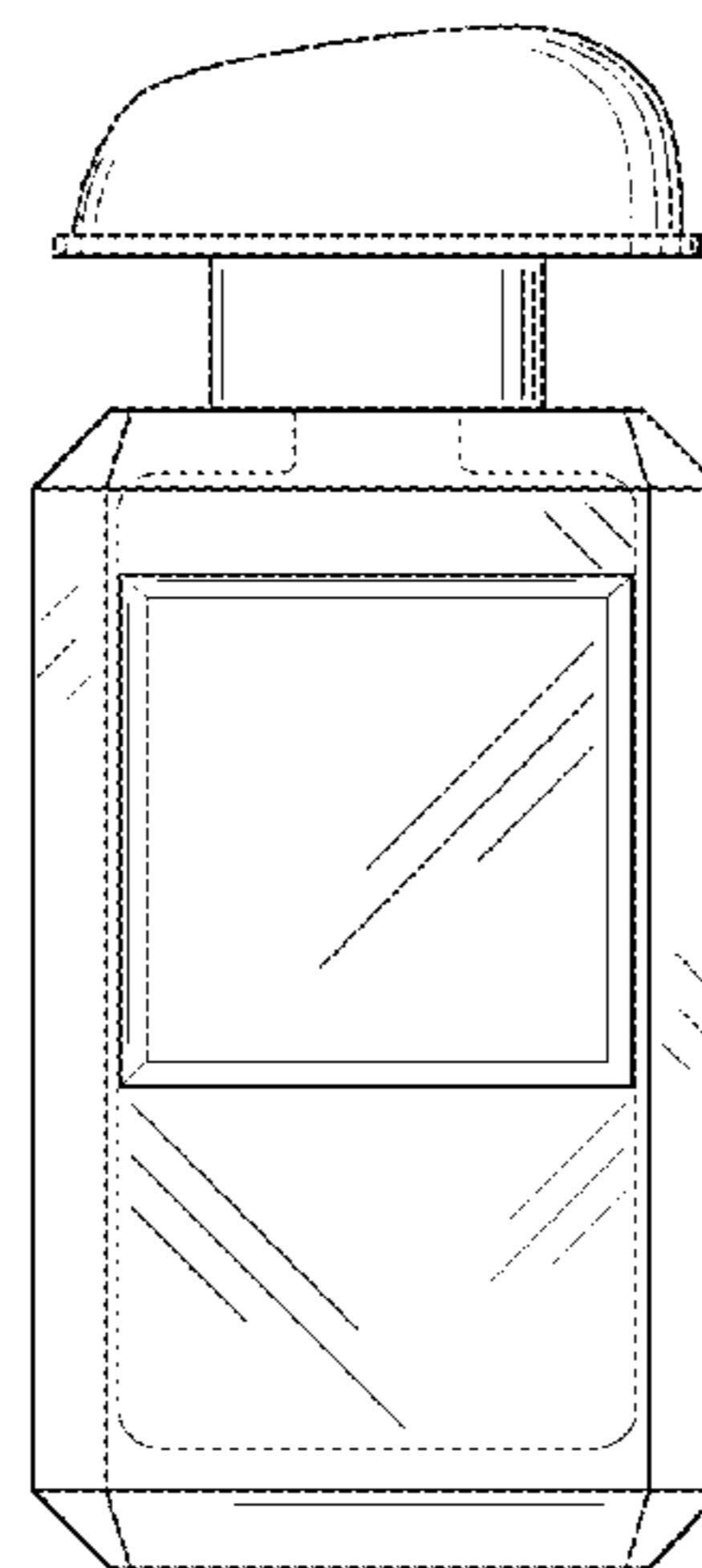
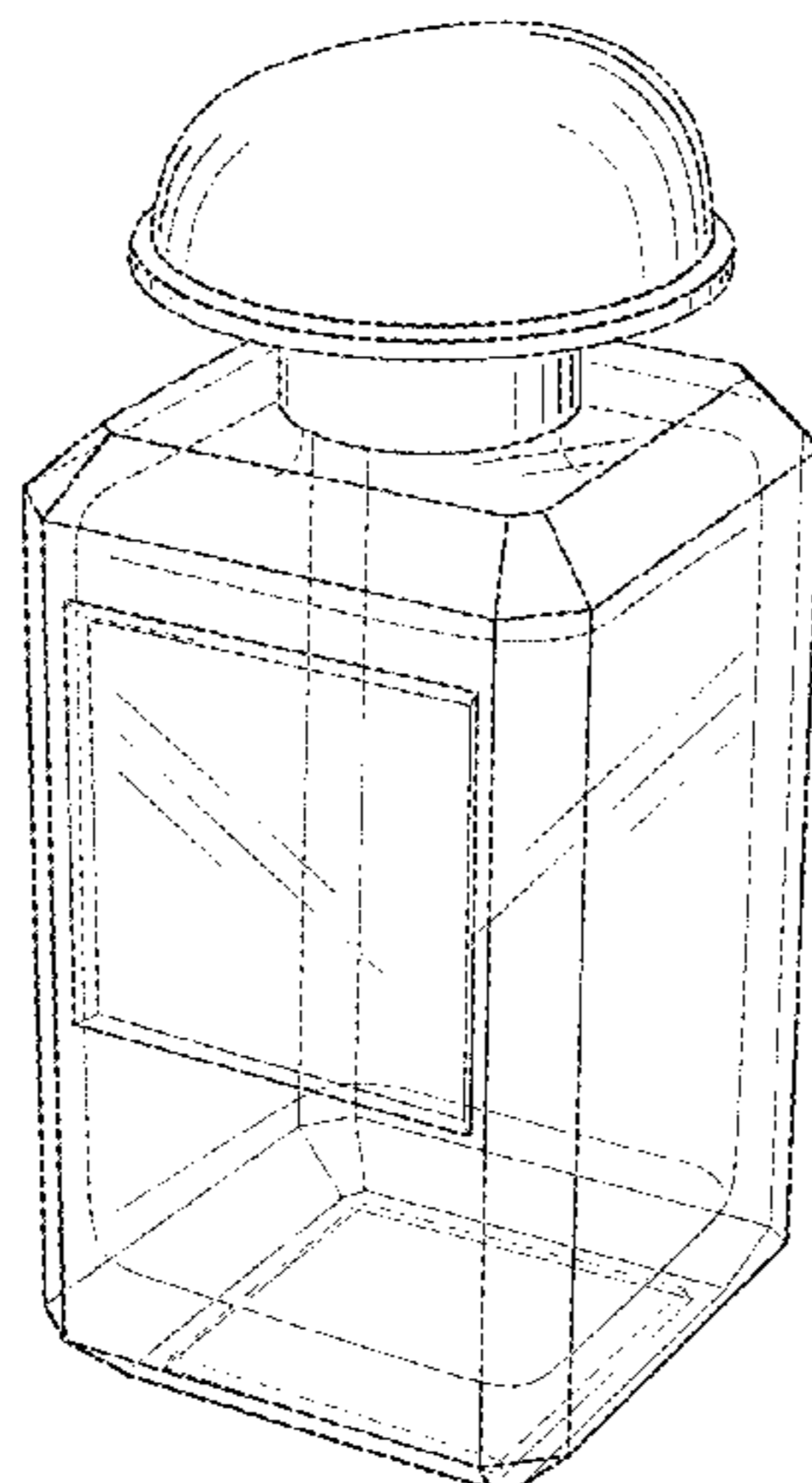
FIG. 12 is a rear elevation view of the fragrance bottle with cap of FIG. 8;

FIG. 13 is a left side elevation view of the fragrance bottle with cap of FIG. 8; and,

FIG. 14 is a top plan view of the fragrance bottle with cap of FIG. 8.

The broken lines in the drawings illustrate the portions of the design that form no part of the claim.

**1 Claim, 14 Drawing Sheets**



(56)

References Cited

U.S. PATENT DOCUMENTS

D259,173 S 5/1981 Lauren  
D370,416 S \* 6/1996 Hirato ..... D9/549  
D371,067 S \* 6/1996 Schultz ..... D9/624  
D386,689 S 11/1997 Schwartz  
D400,107 S \* 10/1998 Krunas ..... D9/563  
D481,957 S 11/2003 Modjeski  
D555,002 S 11/2007 Lloyd et al.  
D559,113 S 1/2008 Brown et al.  
D589,818 S 4/2009 Veillet  
D619,896 S \* 7/2010 Iwazu et al. .... D9/504  
D622,602 S \* 8/2010 Potts ..... D9/544  
D633,806 S 3/2011 Lecoule

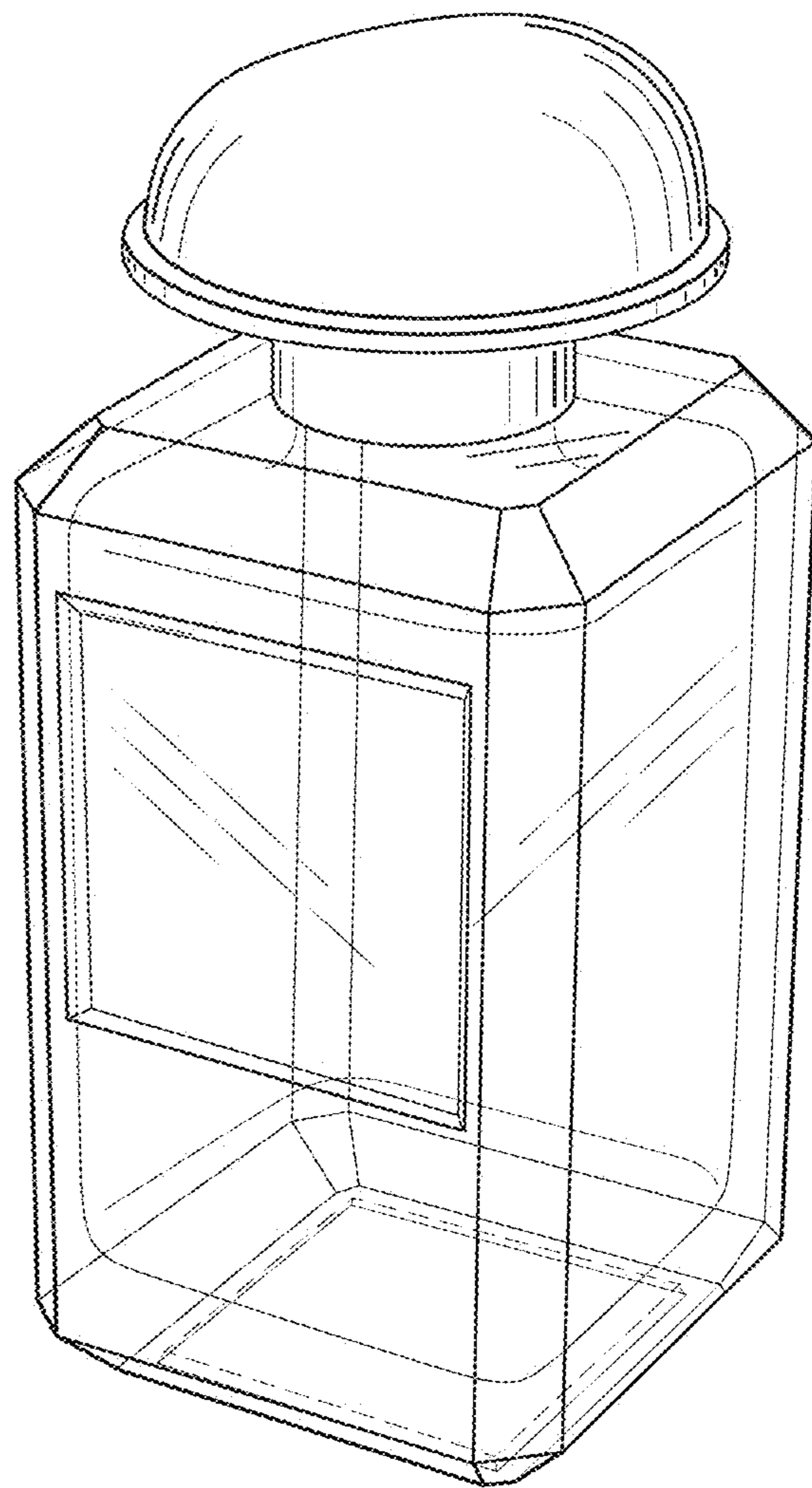
D652,310 S 1/2012 Hartford  
D655,612 S \* 3/2012 Oge-Nichols ..... D9/559  
D678,074 S \* 3/2013 De France ..... D9/560  
D710,196 S \* 8/2014 Ivosevic ..... D9/445

FOREIGN PATENT DOCUMENTS

EM 001728981-0001 7/2010  
EM 002083824-0002 8/2012  
EM 002260190-0001 \* 9/2013  
EM 002260190-0002 \* 9/2013  
WO D038736-001 3/1997  
WO D047808-001 7/1998  
WO D072819-001 1/2010

\* cited by examiner

**FIG. 1**



**FIG. 2**

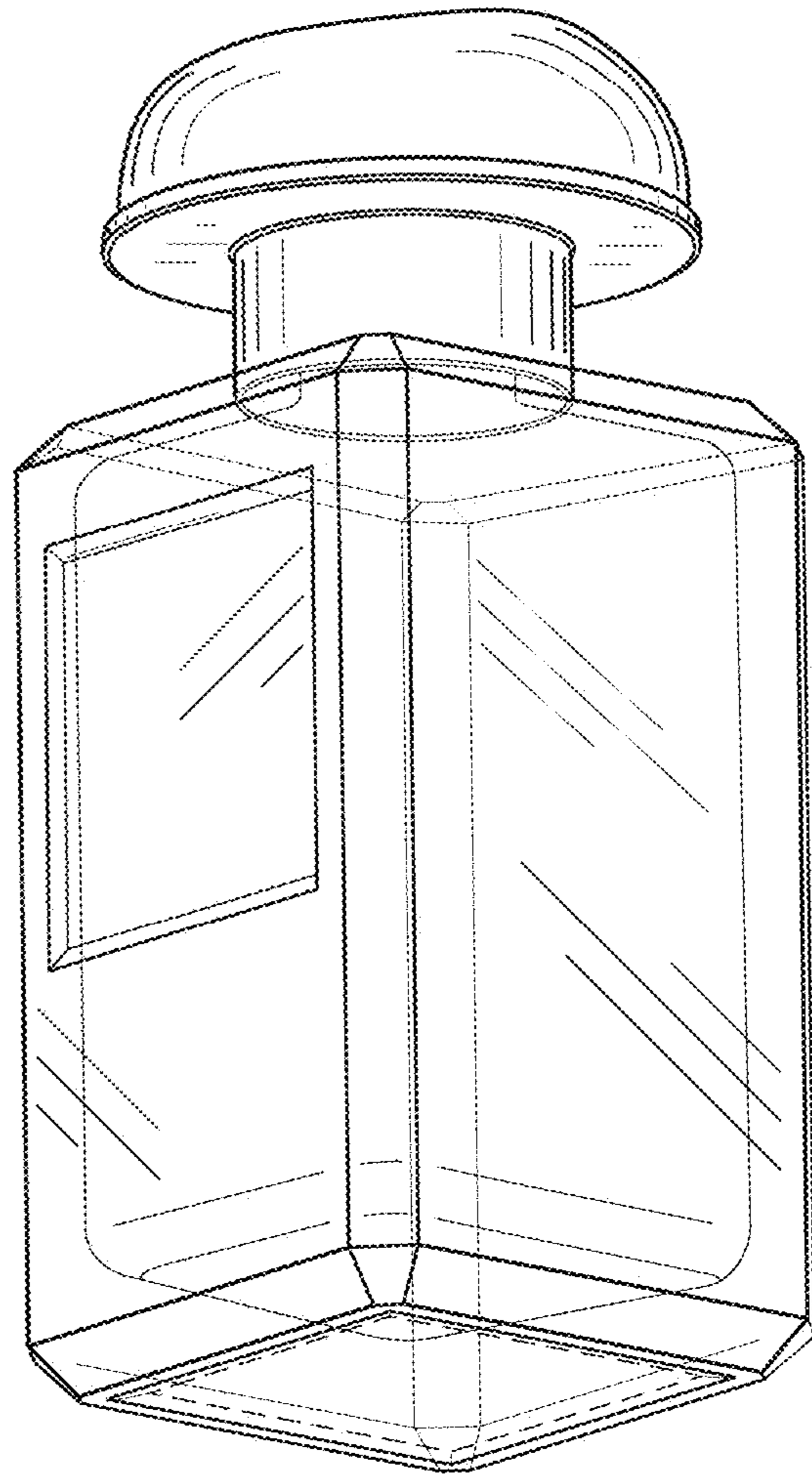


FIG. 3

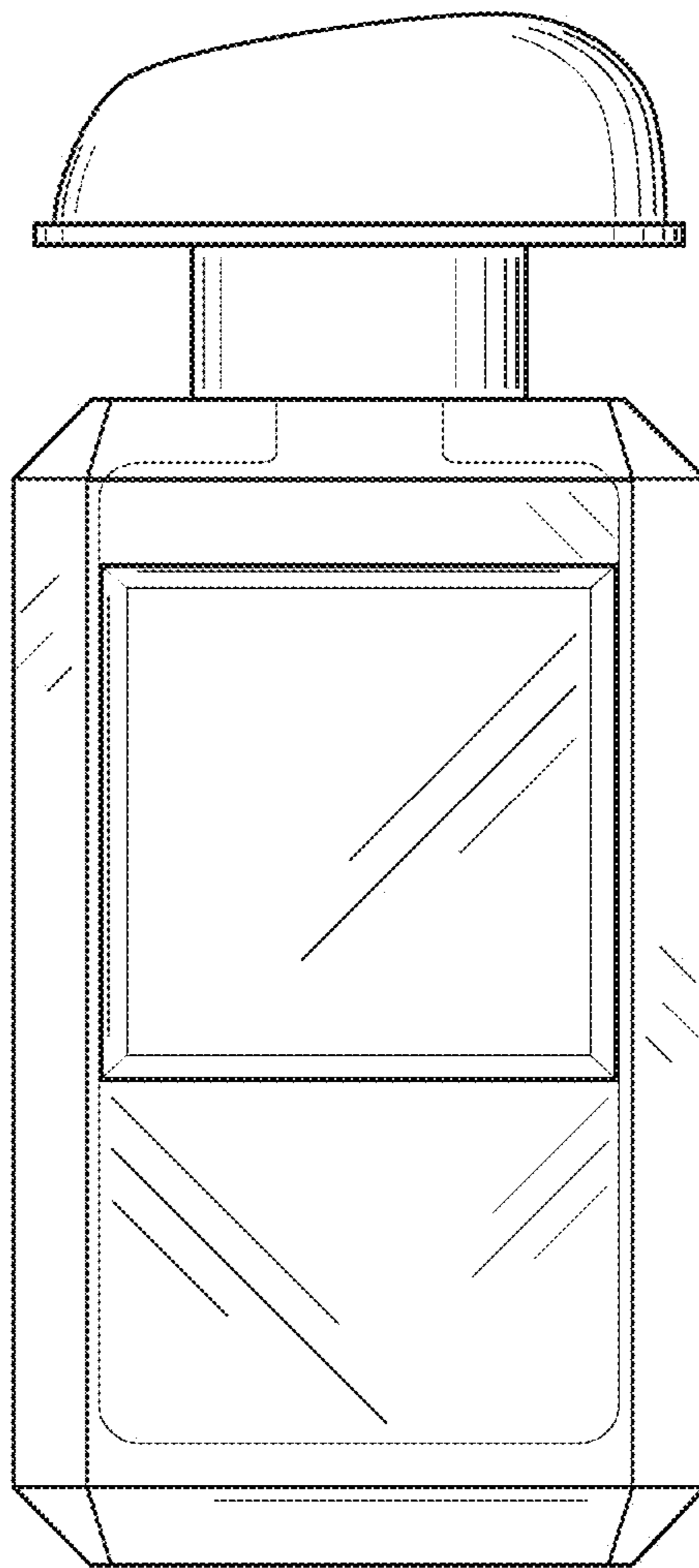
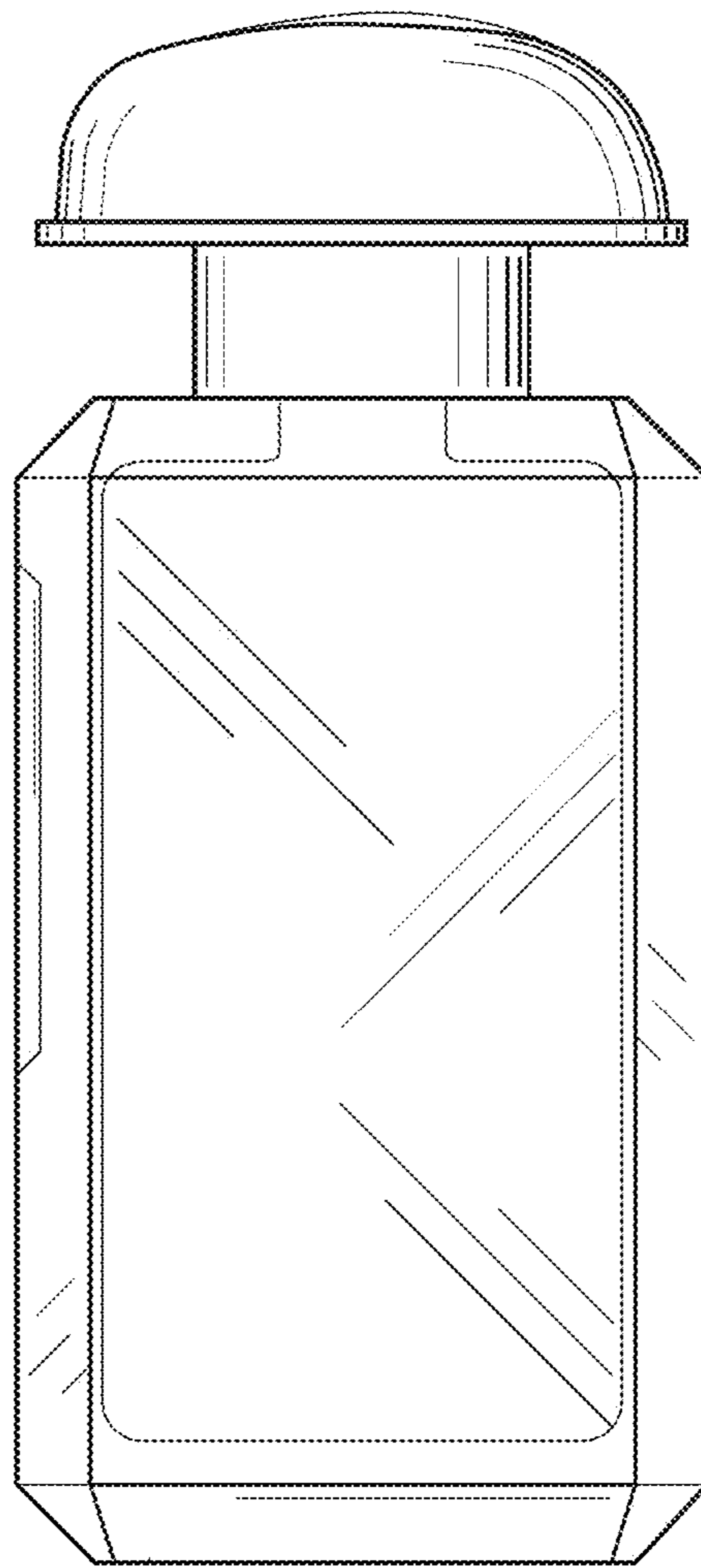
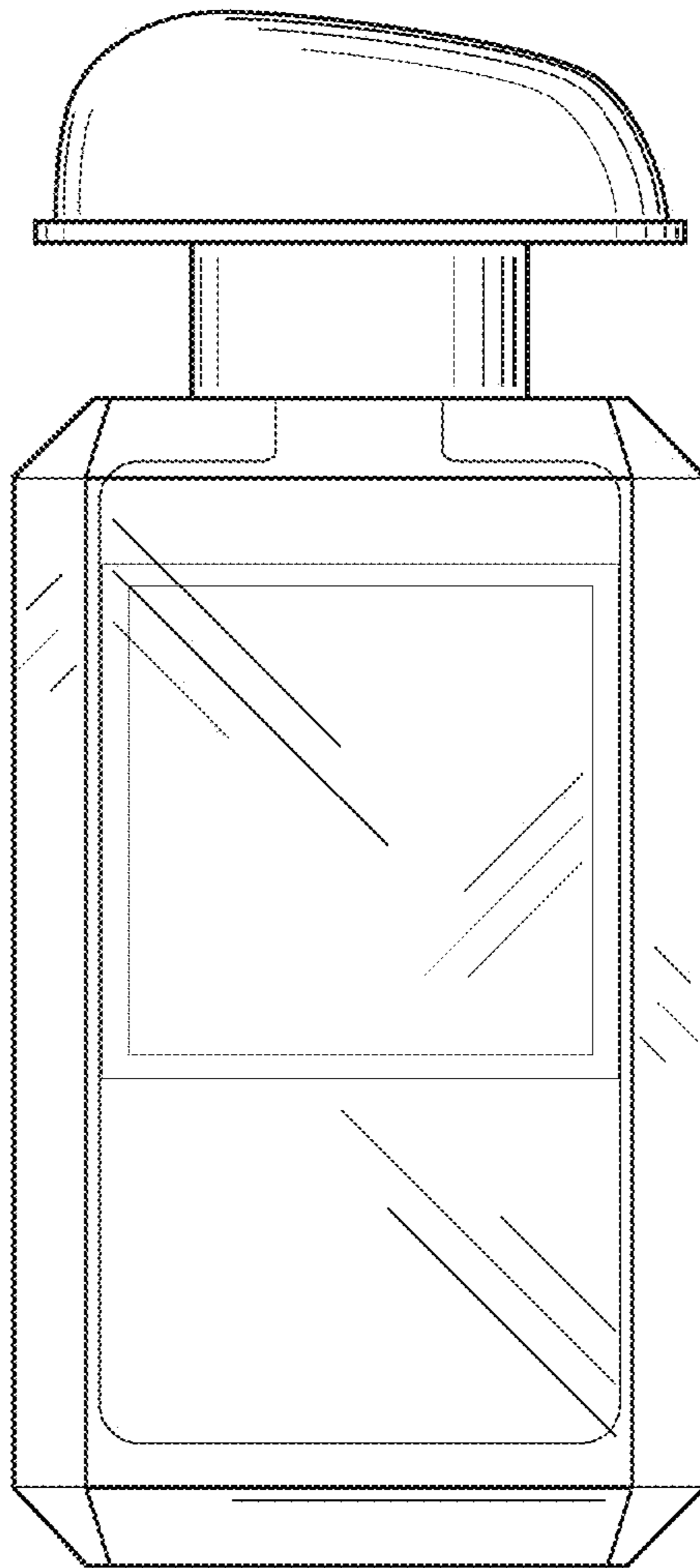


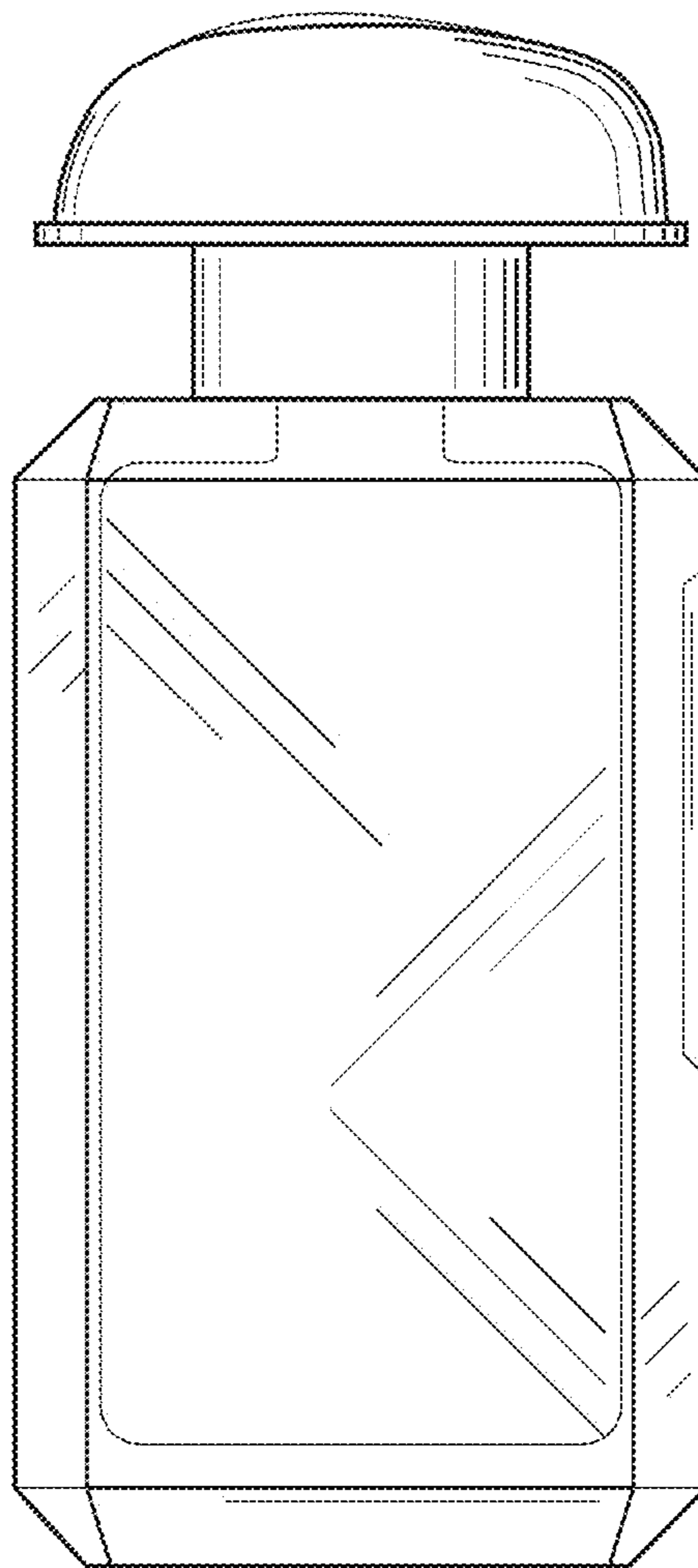
FIG. 4



**FIG. 5**

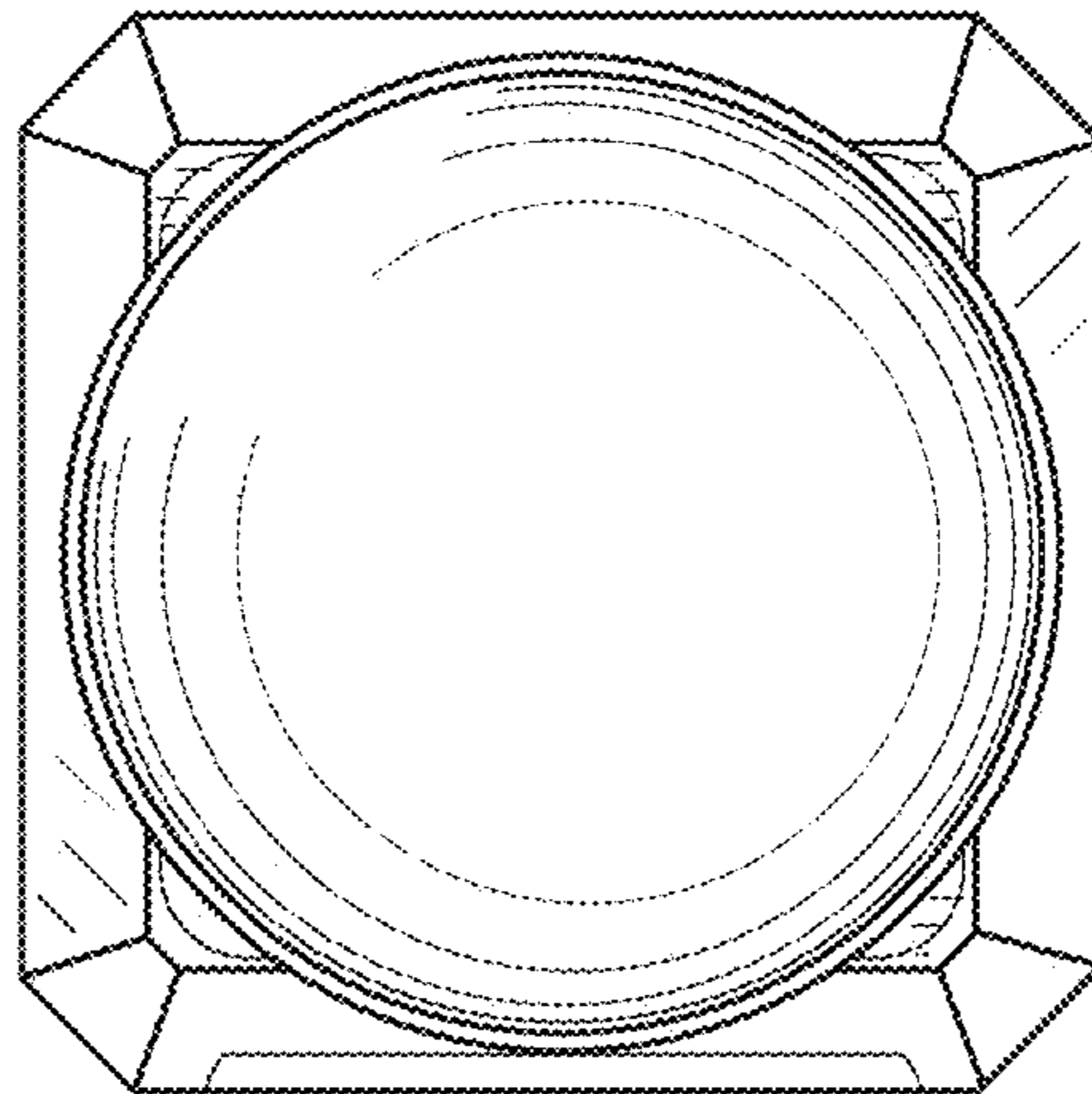


**FIG. 6**

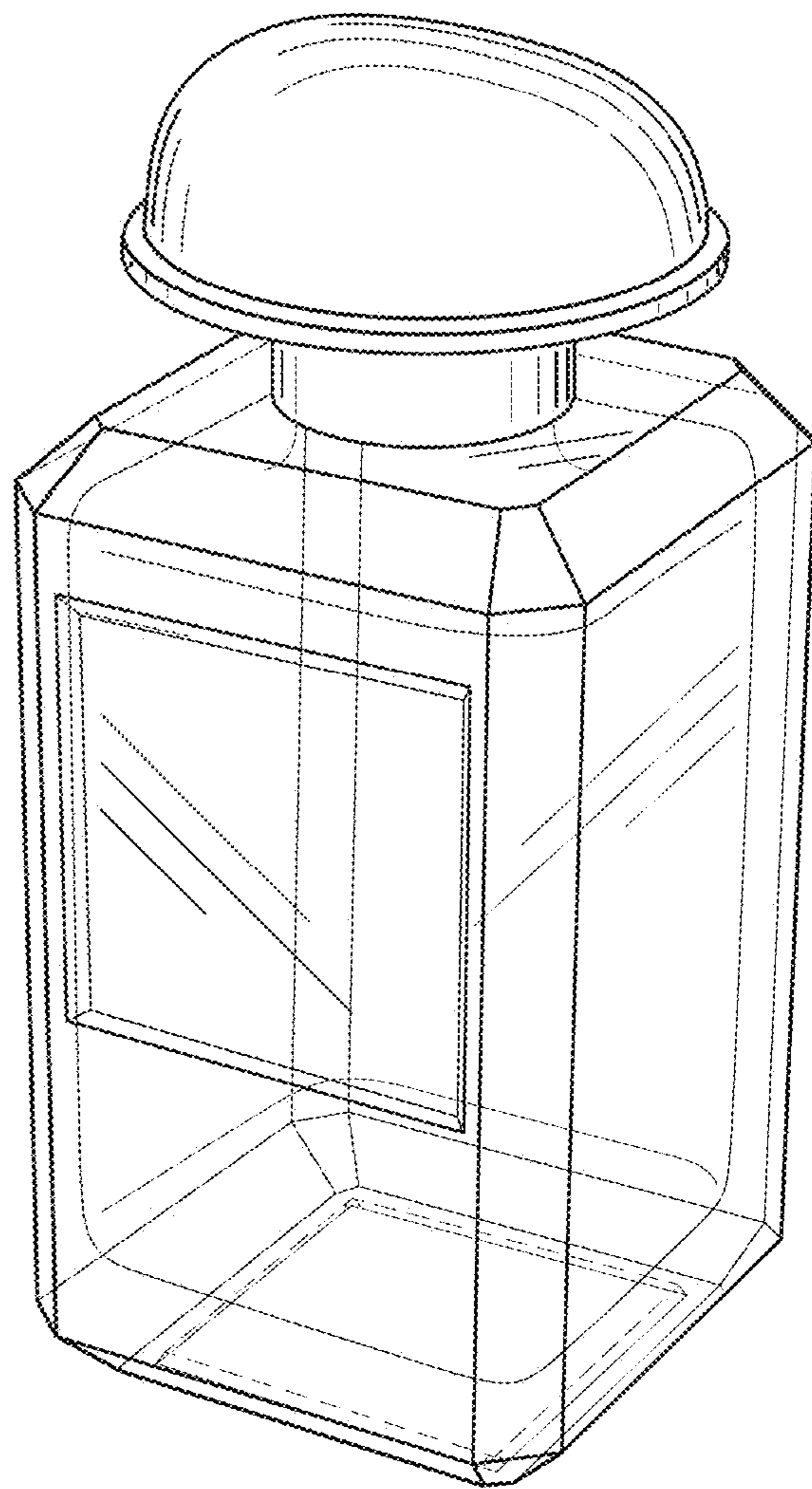




**FIG. 7**



**FIG. 8**



**FIG. 9**

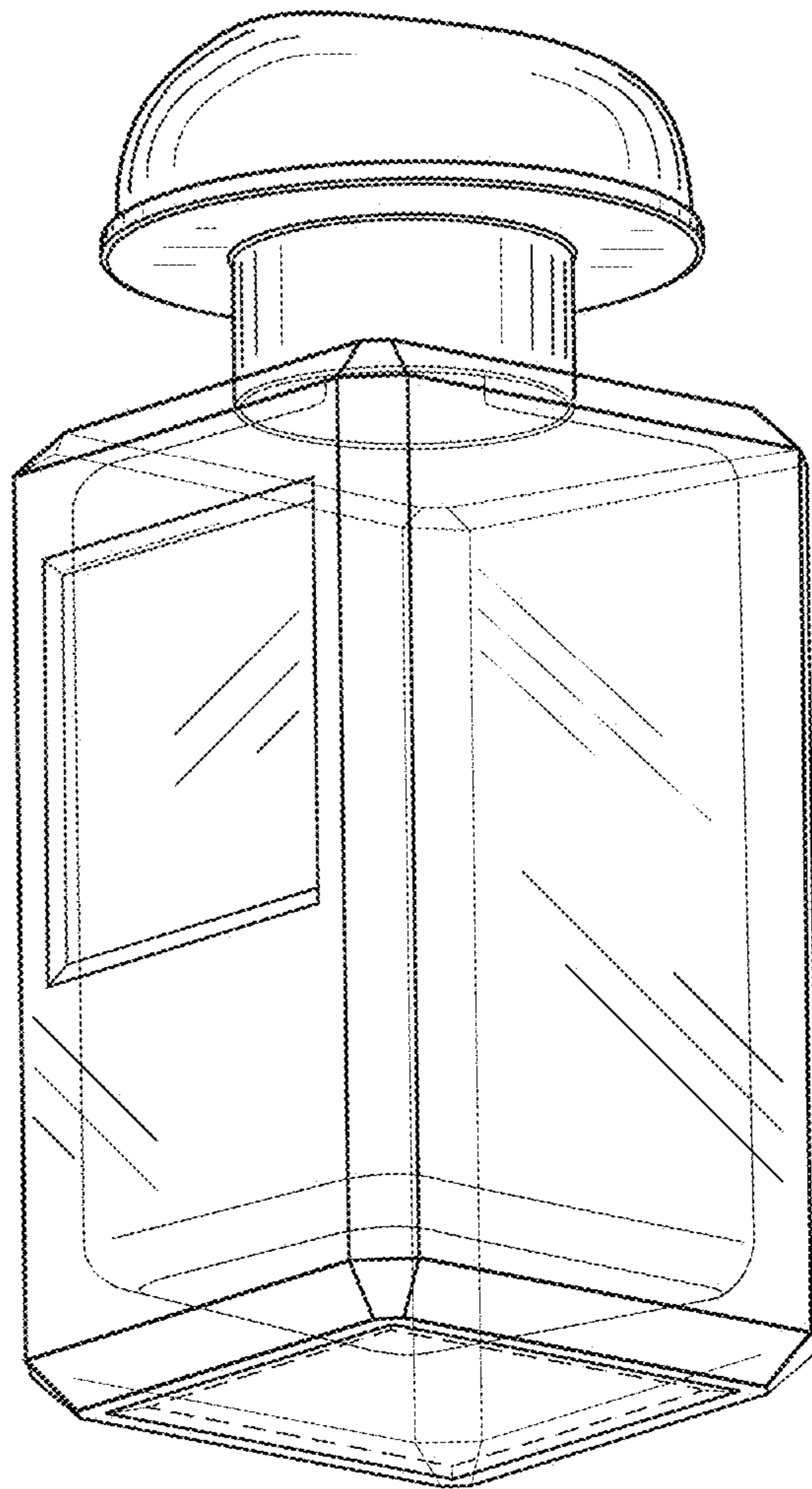


FIG. 10

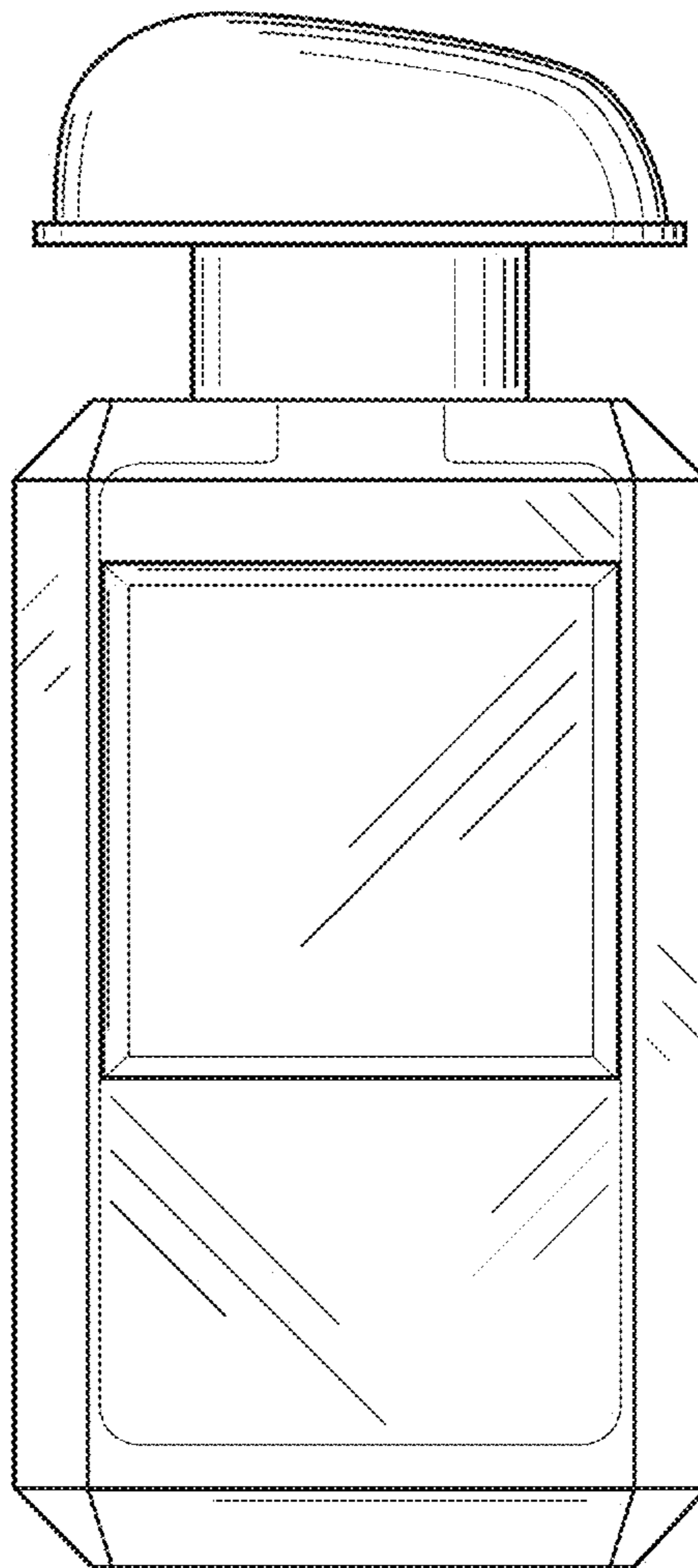


FIG. 11

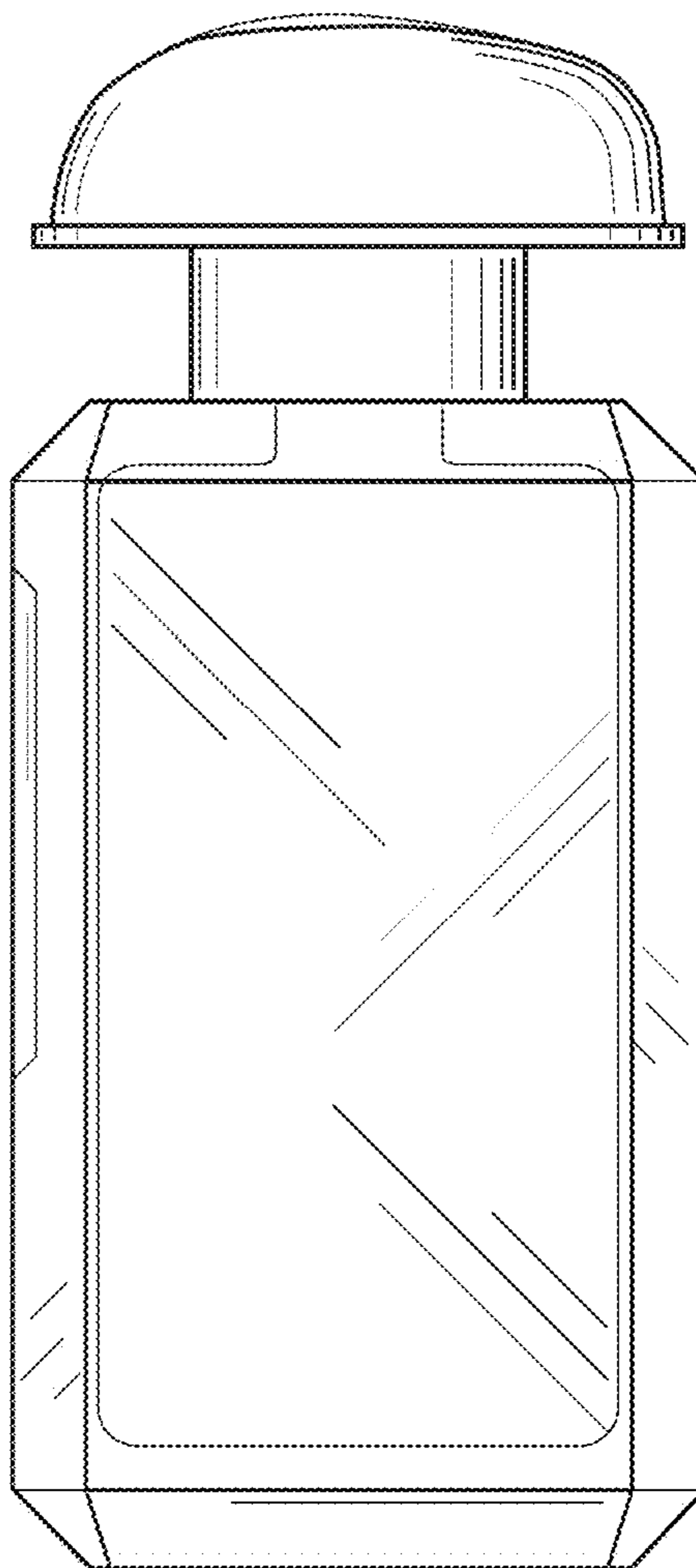


FIG. 12

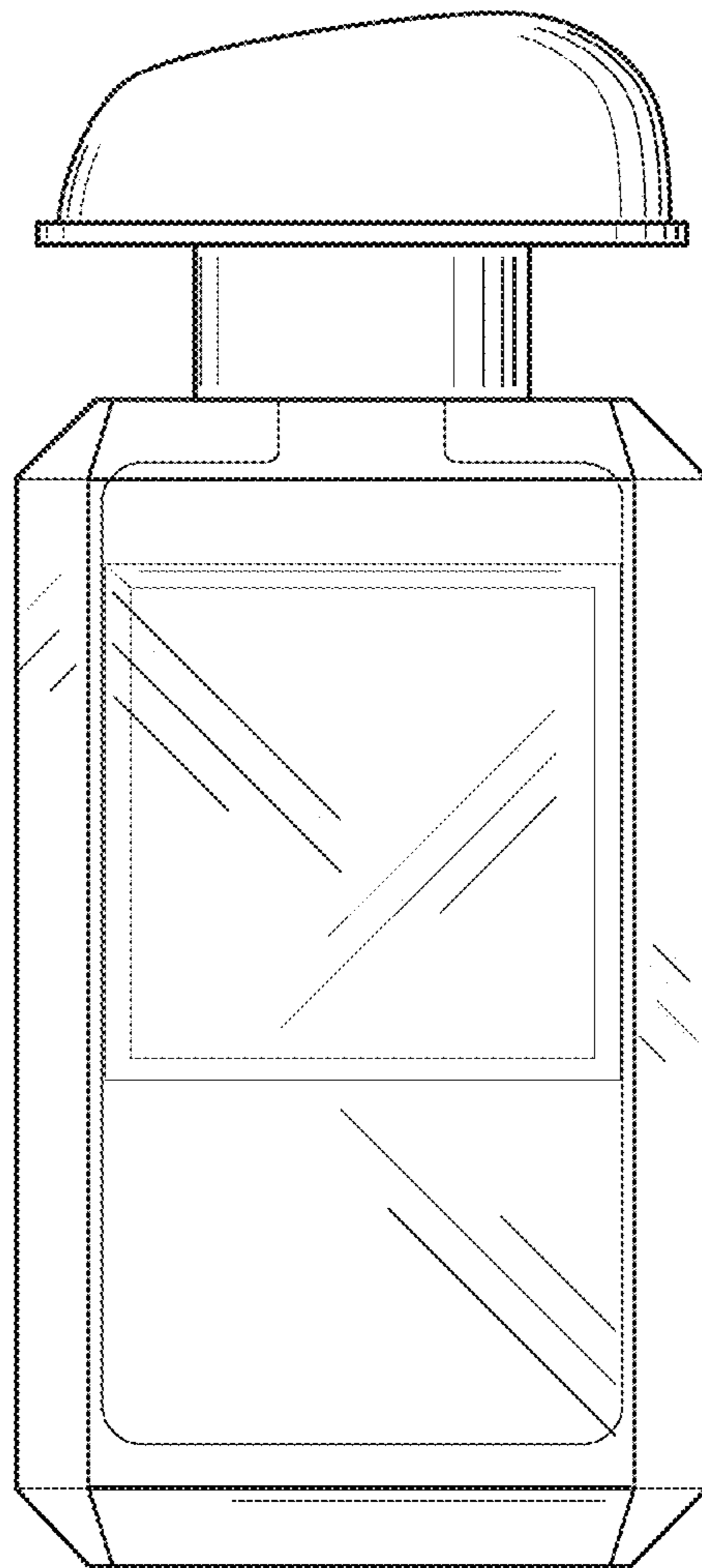
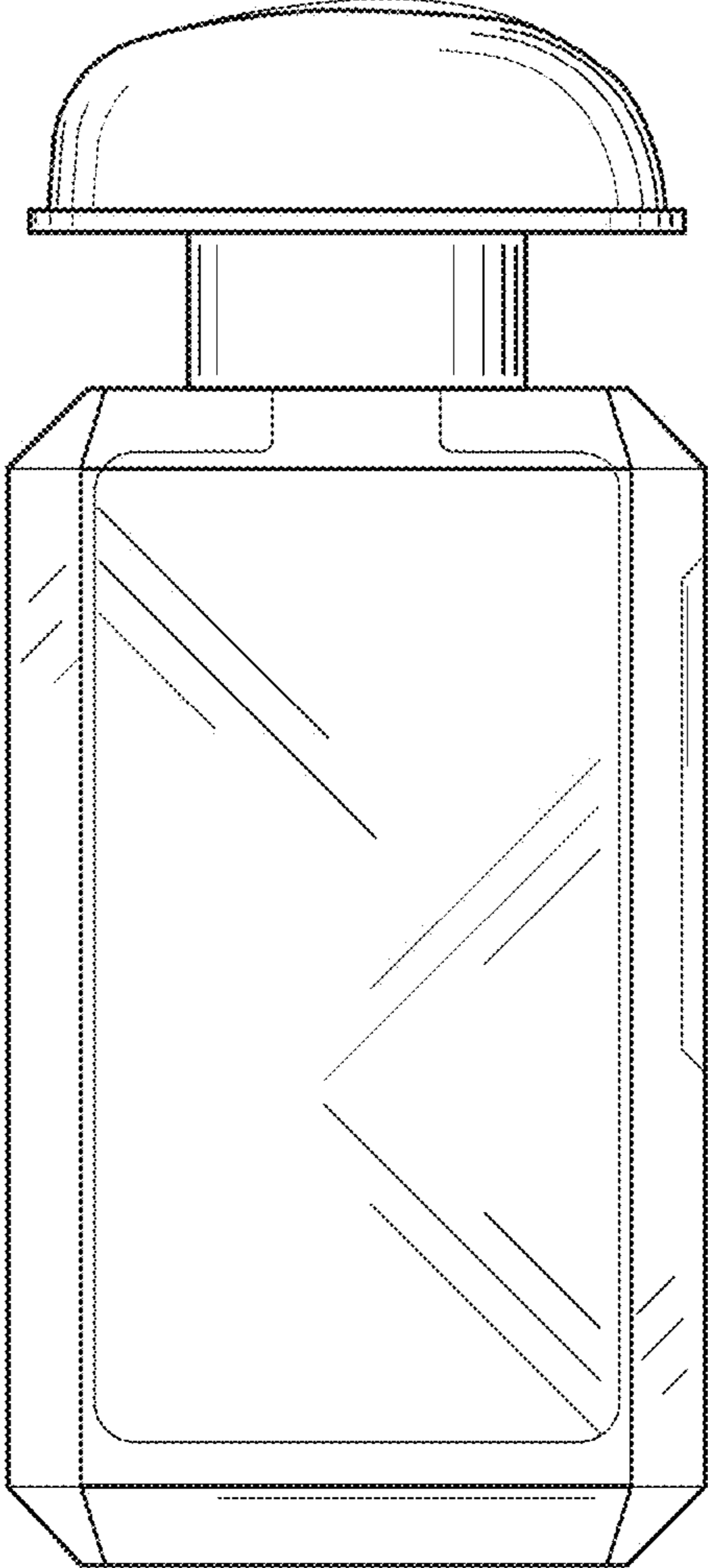


FIG. 13



**FIG. 14**

