



US00D740123S

(12) **United States Design Patent**  
**Tremblay**

(10) **Patent No.:** **US D740,123 S**

(45) **Date of Patent:** **\*\* Oct. 6, 2015**

(54) **BOTTLE**

(71) Applicant: **Les Bouteilles Recyclées Du Québec Inc., Quebec (CA)**

(72) Inventor: **Normand Tremblay, Quebec (CA)**

(73) Assignee: **Les Bouteilles Recyclees Du Quebec Inc., Quebec (CA)**

(\*\*) Term: **14 Years**

(21) Appl. No.: **29/469,073**

(22) Filed: **Oct. 7, 2013**

(51) **LOC (10) Cl.** ..... **09-01**

(52) **U.S. Cl.**  
USPC ..... **D9/536**

(58) **Field of Classification Search**  
USPC ..... D9/435, 516, 529–537, 544, 564, 565,  
D9/572, 573, 575; 215/248, 307, 381–385,  
215/902; 220/660, 669, 662, 675  
See application file for complete search history.

(56) **References Cited**

**U.S. PATENT DOCUMENTS**

D63,852 S *	1/1924	Millen	.....	D9/536
D104,657 S *	5/1937	Fuerst et al.	.....	D9/536
D235,971 S *	7/1975	Visola	.....	D9/536
D241,225 S *	8/1976	McCurdy	.....	D9/699
D403,968 S *	1/1999	DeVore	.....	D9/536

D434,329 S *	11/2000	Vultaggio et al.	.....	D9/533
D510,872 S *	10/2005	Mount et al.	.....	D9/531
D643,300 S *	8/2011	Beckerman	.....	D9/536

\* cited by examiner

*Primary Examiner* — Derrick Holland

*Assistant Examiner* — Janice Lim

(74) *Attorney, Agent, or Firm* — Muncy, Geissler, Olds & Lowe, P.C.

(57) **CLAIM**

The ornamental design for a bottle, as shown and described.

**DESCRIPTION**

FIG. 1 is a front elevational view of a bottle showing my new design;

FIG. 2 is a right side view thereof;

FIG. 3 is a left side view thereof;

FIG. 4 is a top plan view thereof;

FIG. 5 is a bottom plan view thereof;

FIG. 6 is a perspective view thereof;

FIG. 7 is a front elevational view of embodiment two, of a bottle, showing my new design;

FIG. 8 is a right side view thereof;

FIG. 9 is a left side view thereof;

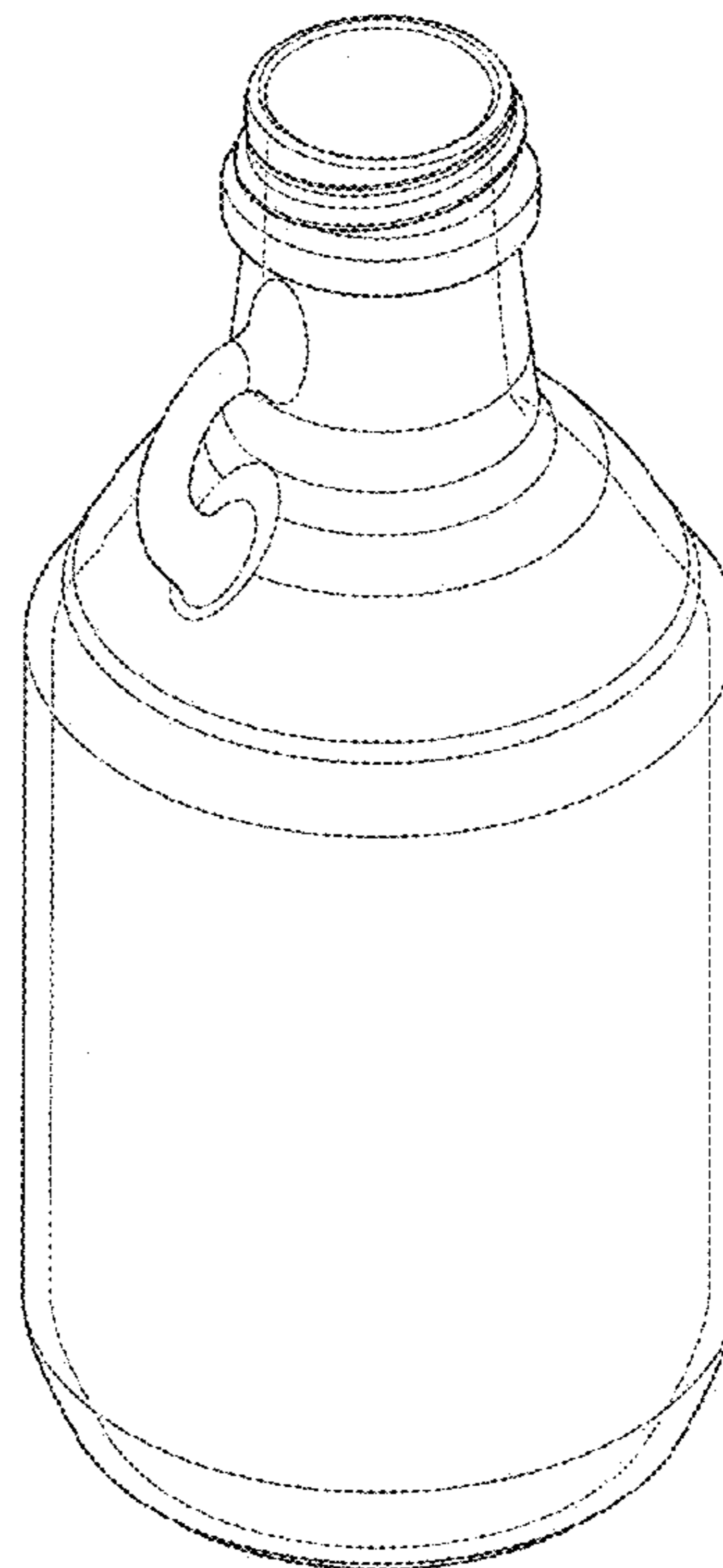
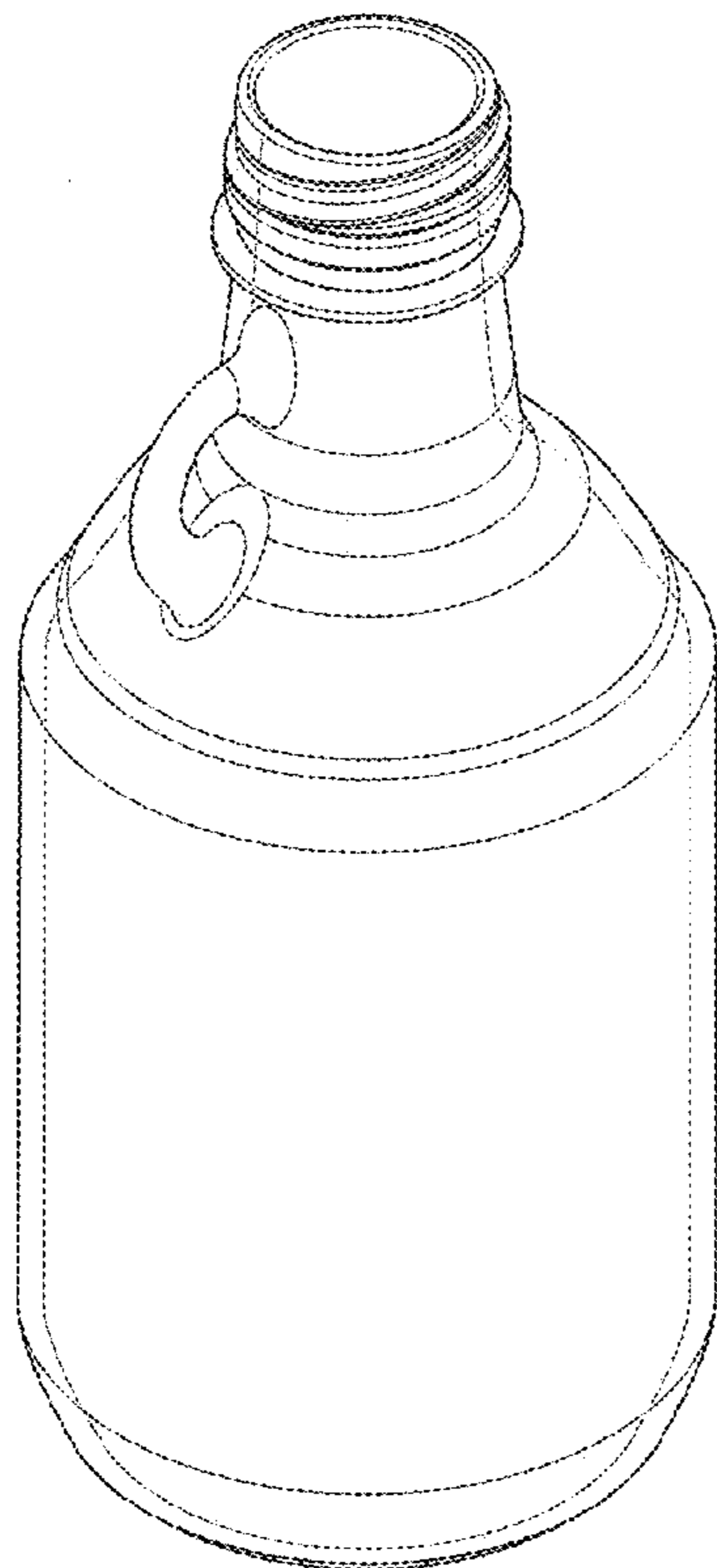
FIG. 10 is a top plan view thereof;

FIG. 11 is a bottom plan view thereof; and,

FIG. 12 is a perspective view thereof.

The broken line portions of FIGS. 5 and 11 are included to show unclaimed subject matter only and form no part of the claimed design.

**1 Claim, 10 Drawing Sheets**



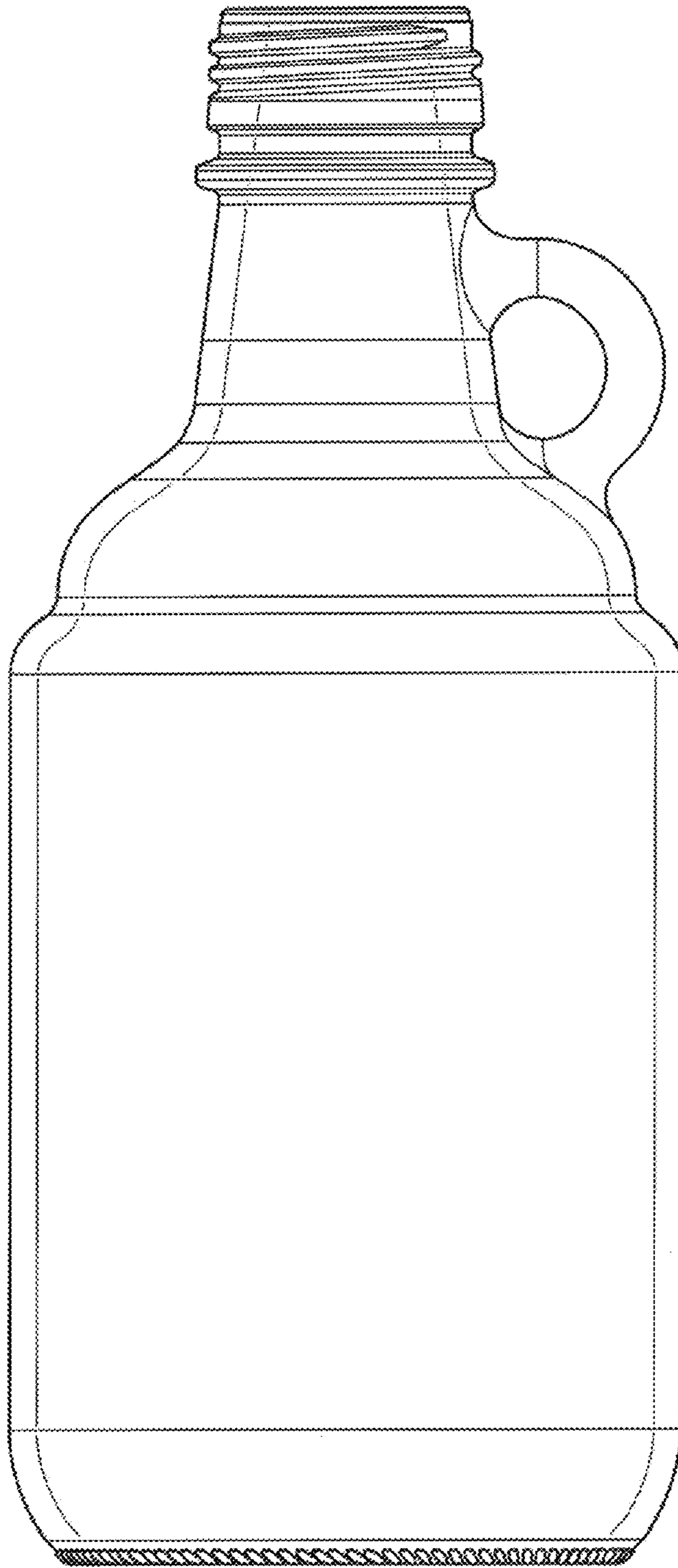


FIG. 1

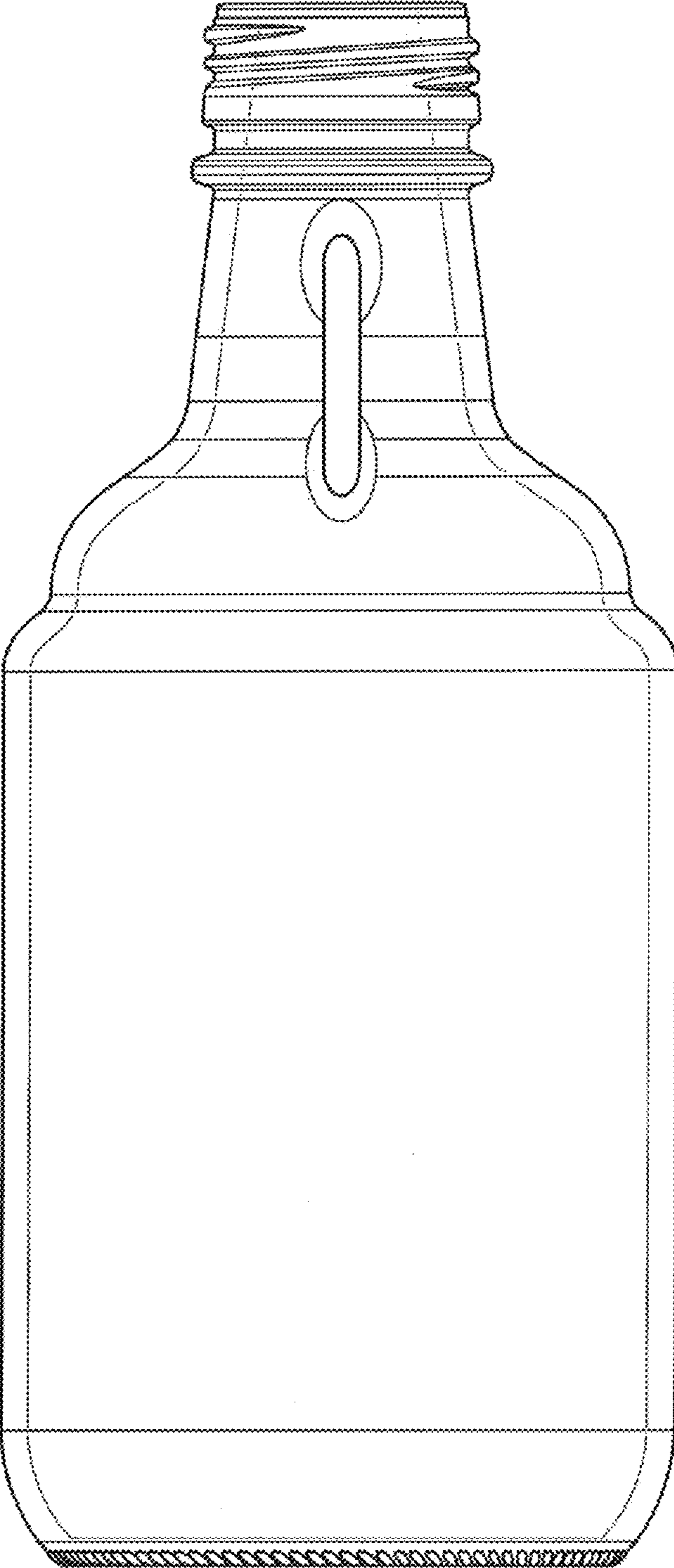
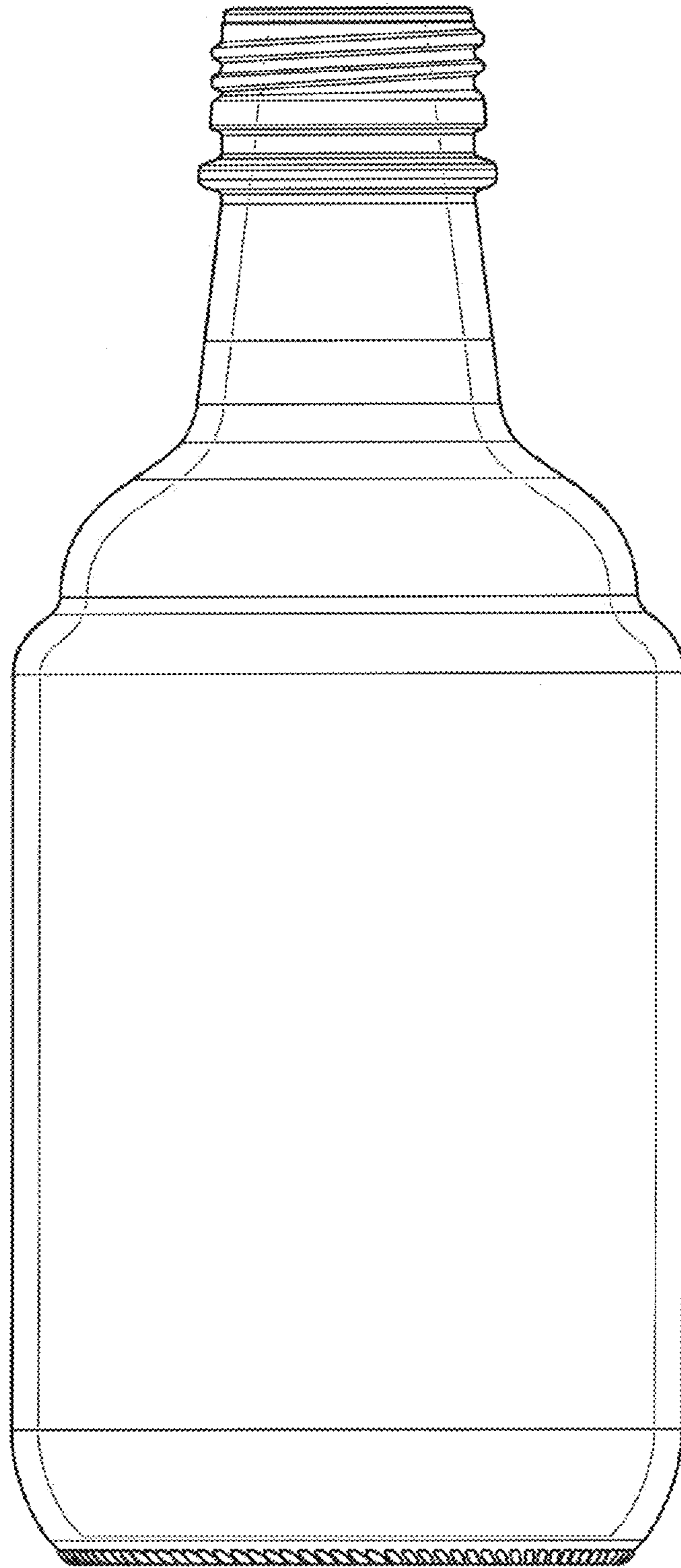


FIG. 2



**FIG. 3**



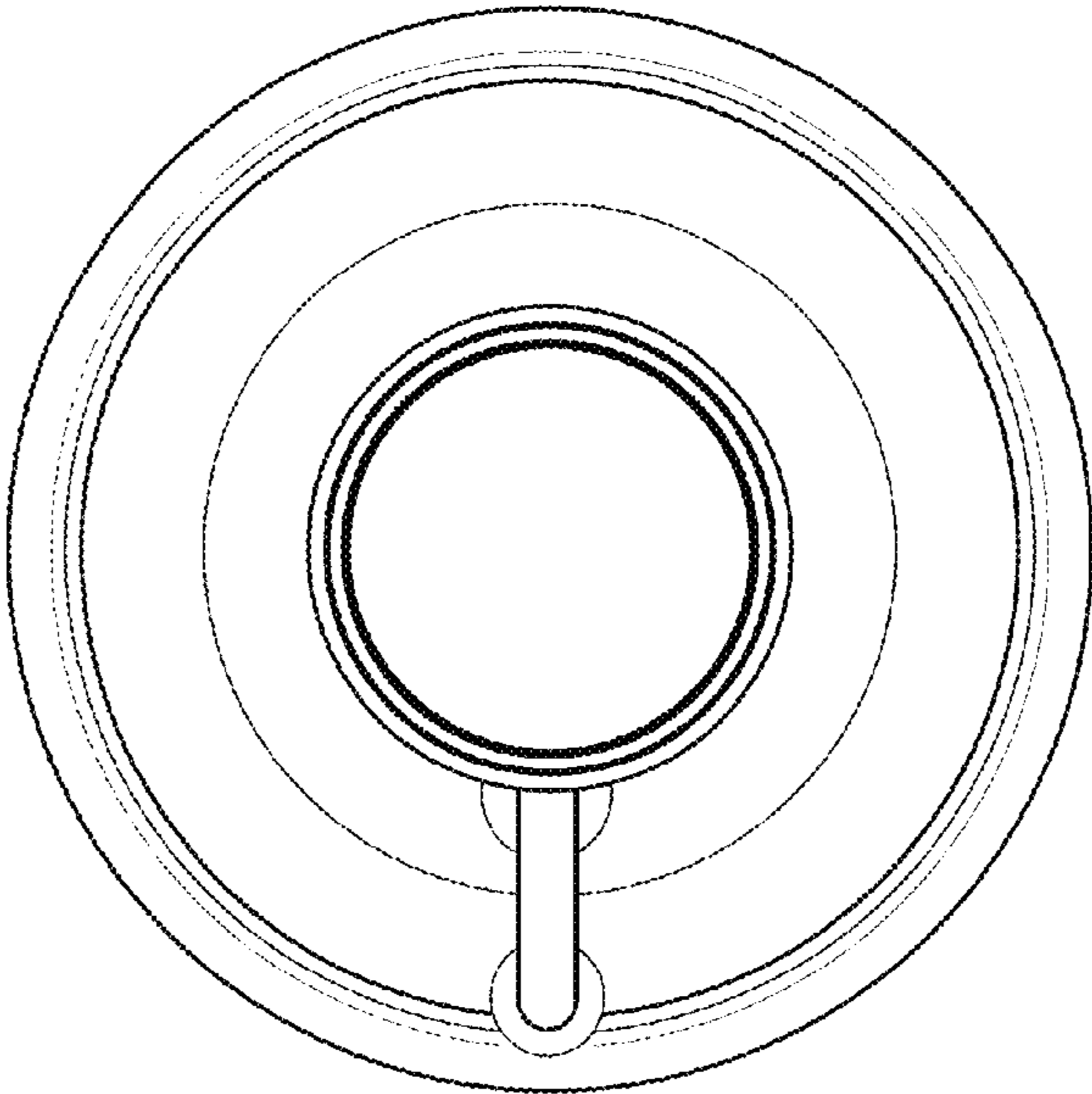


FIG. 4

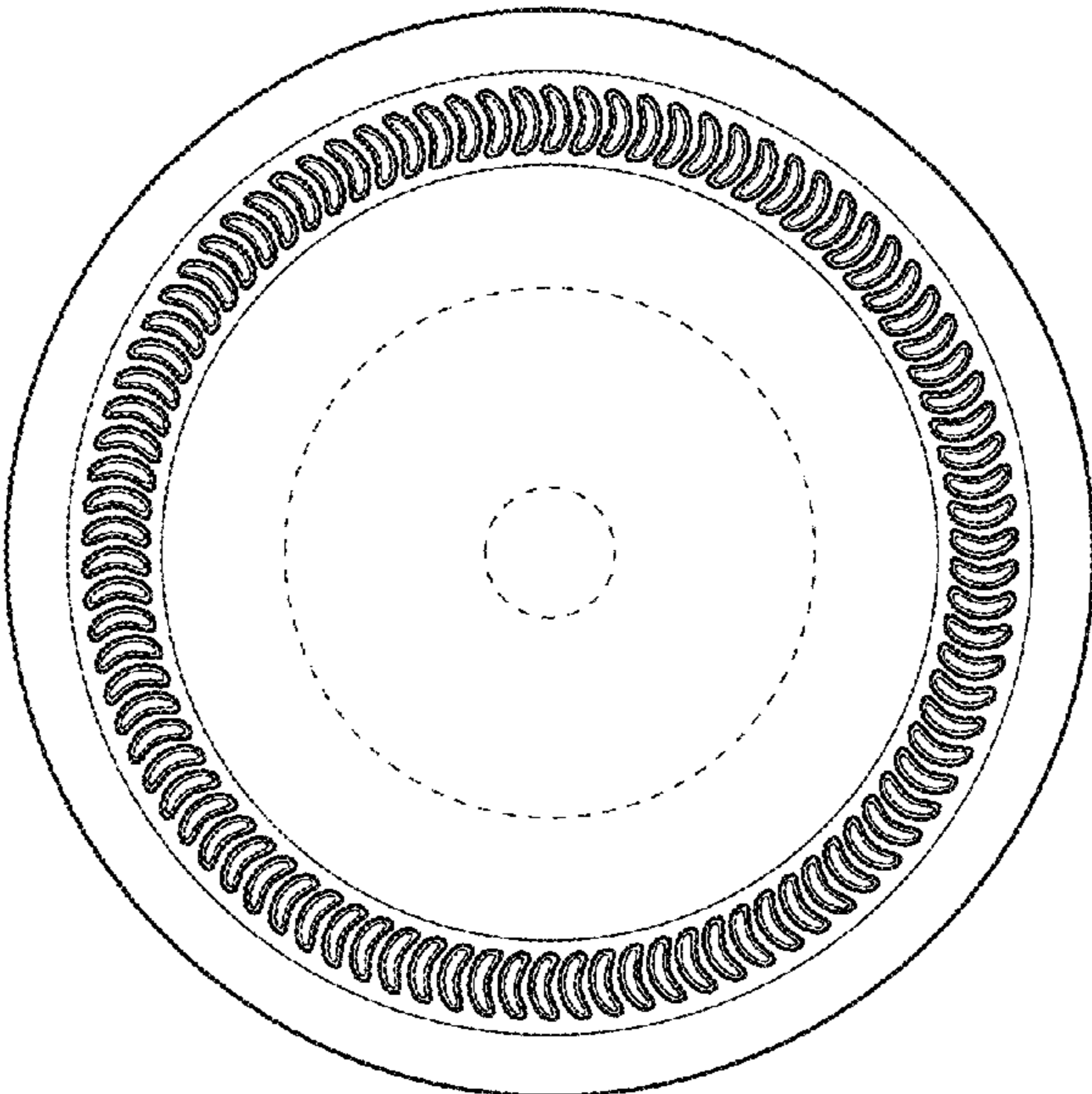


FIG. 5

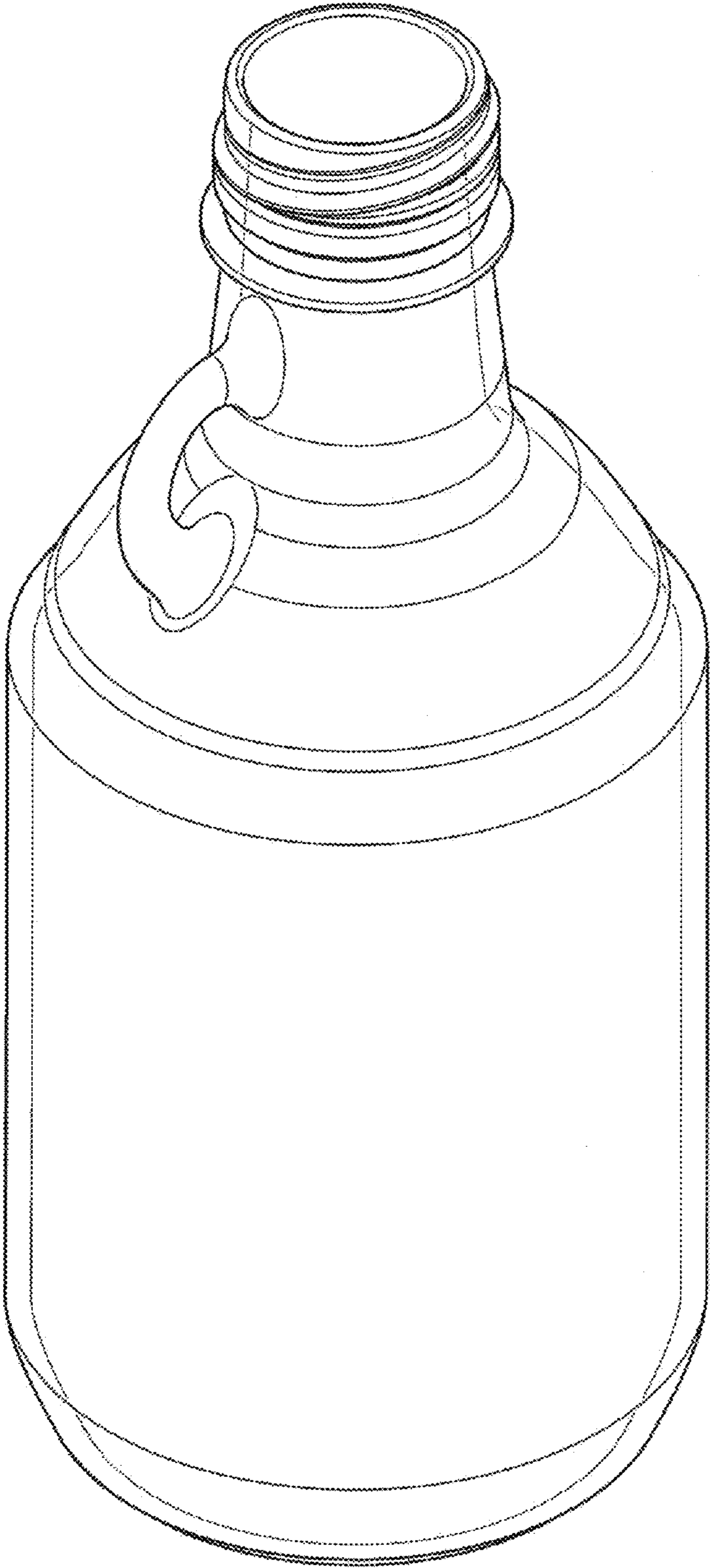
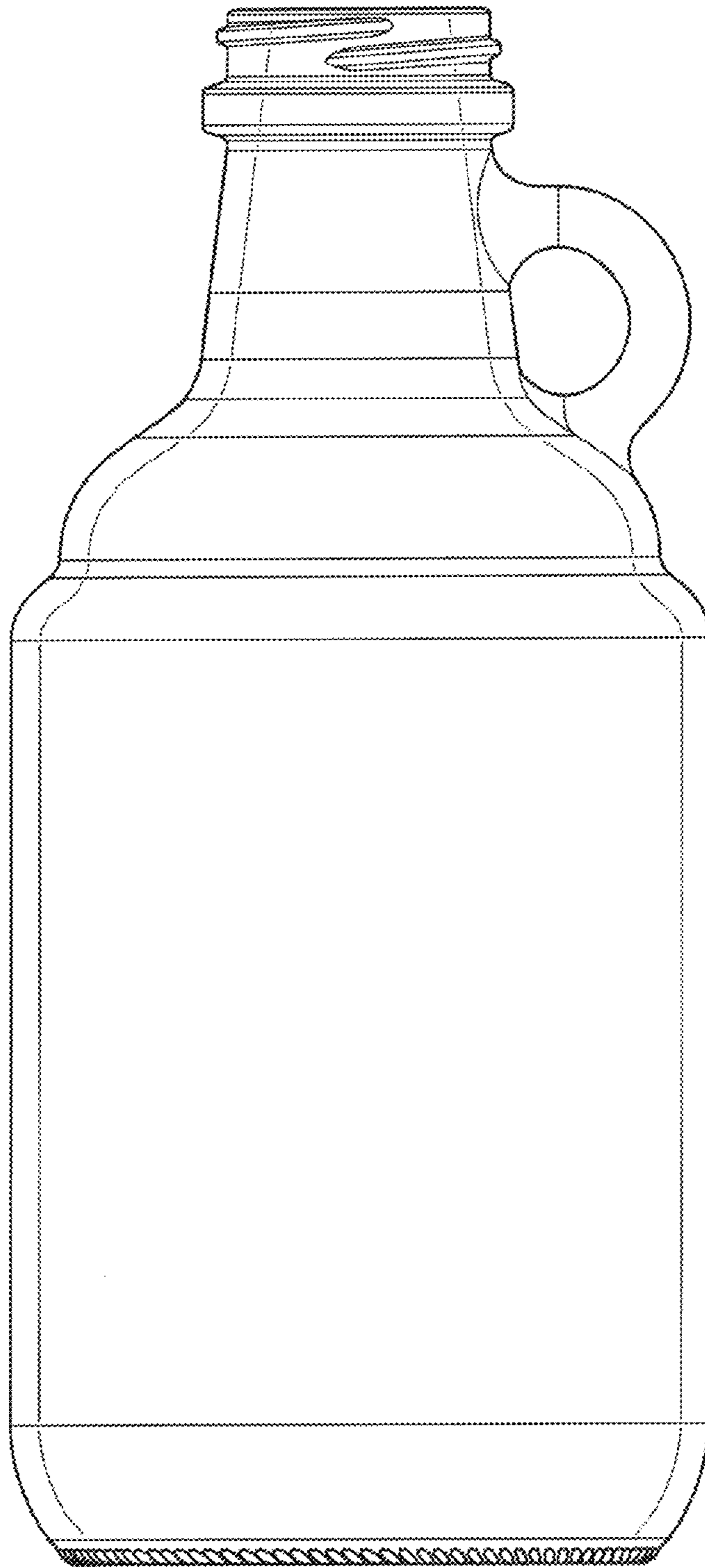


FIG. 6



**FIG. 7**

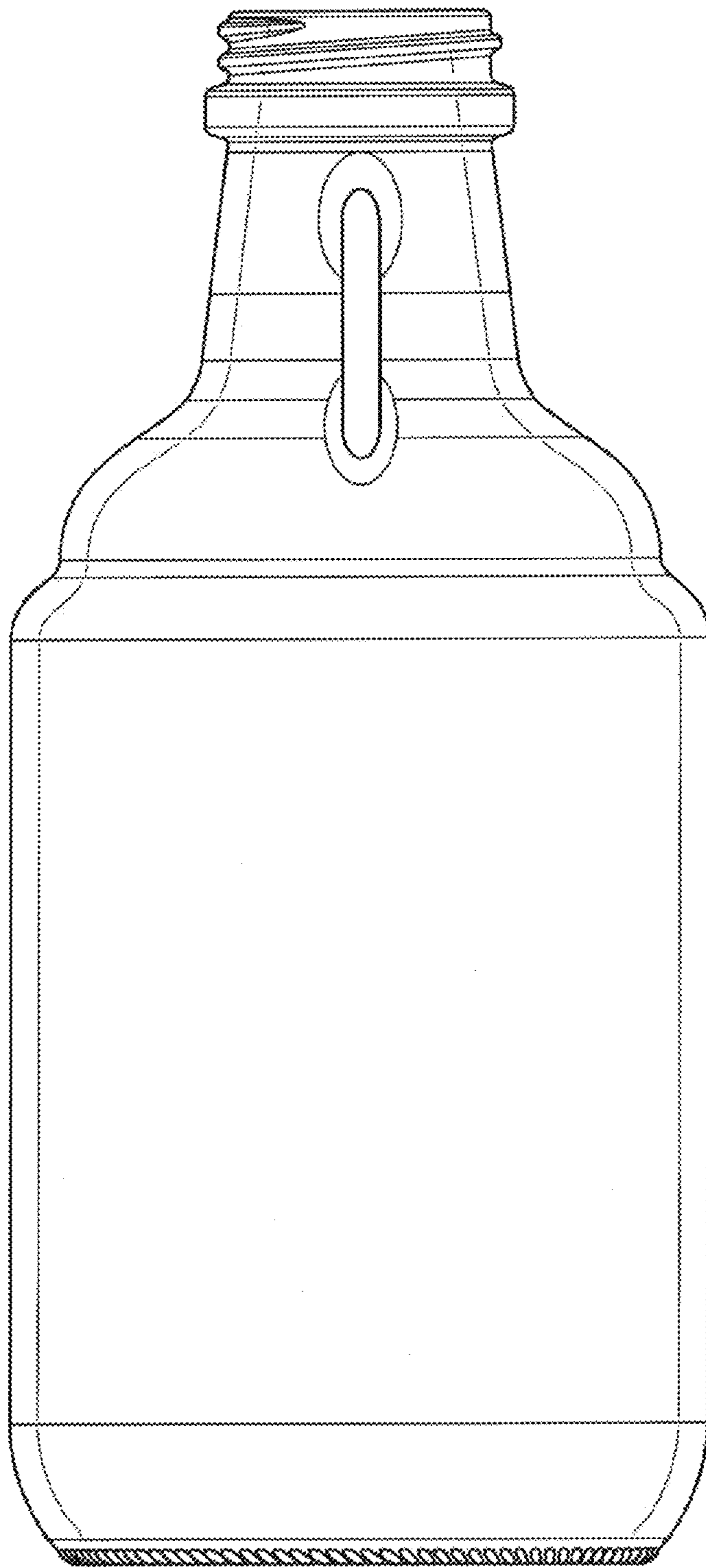
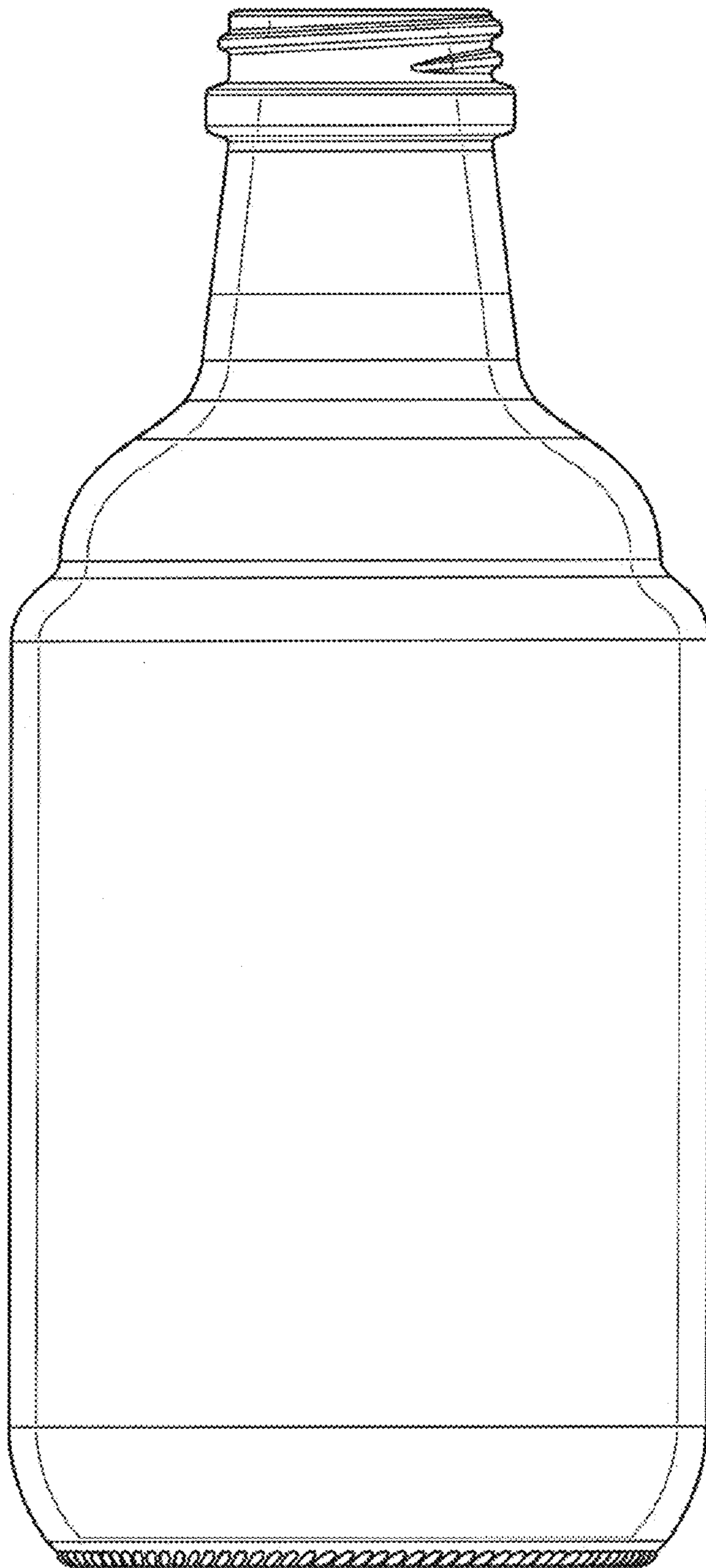


FIG. 8





**FIG. 9**

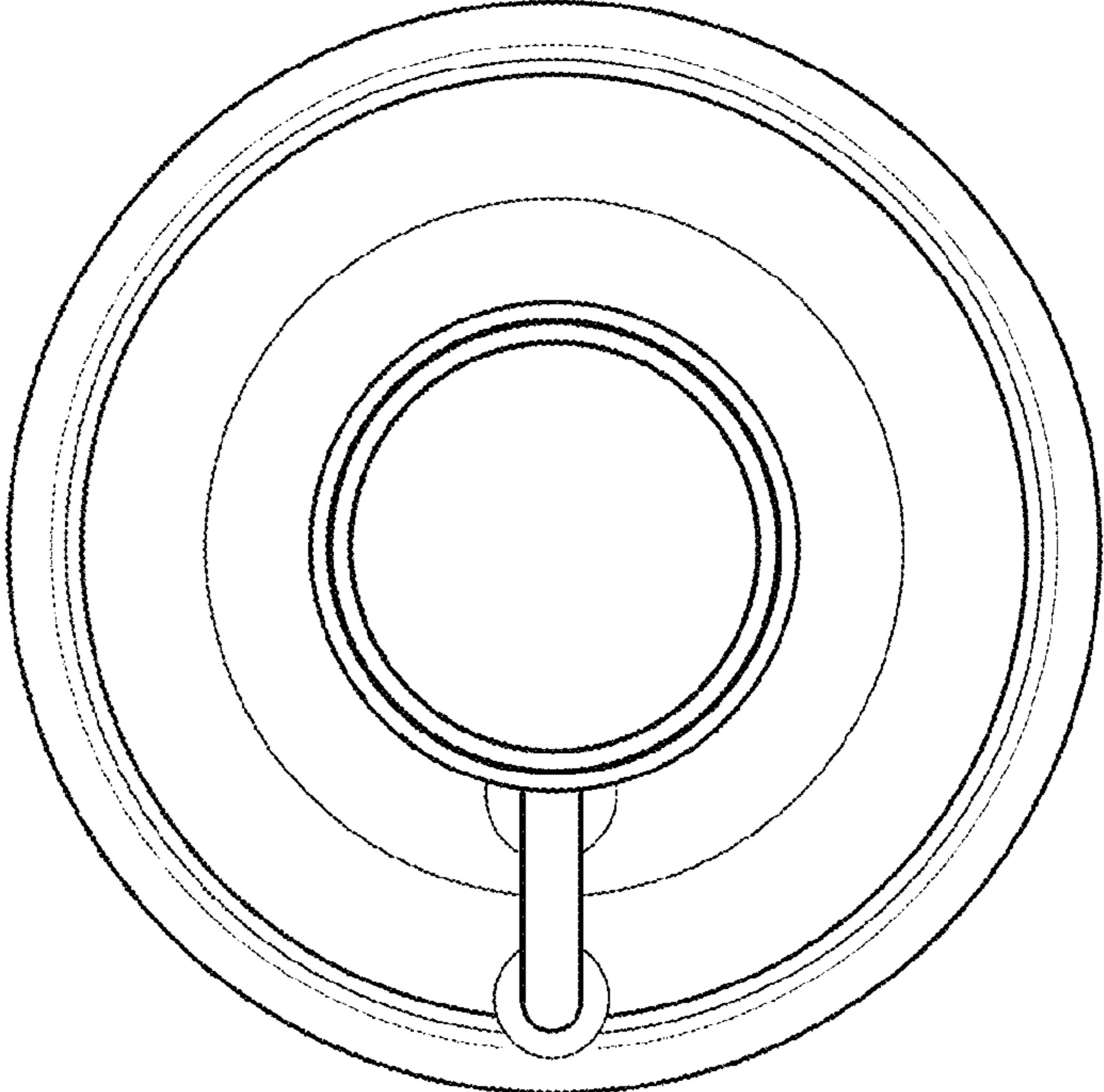


FIG. 10

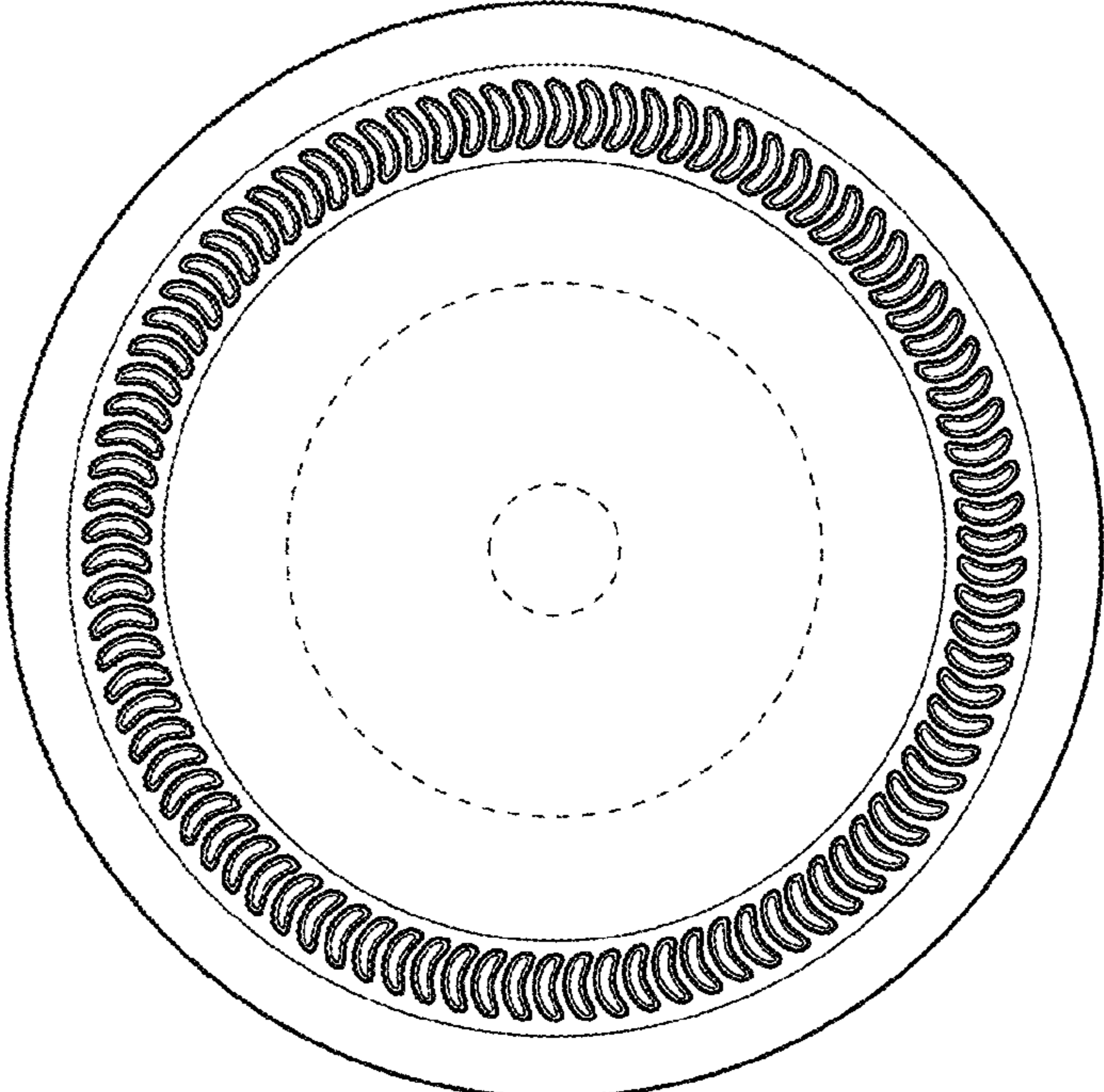


FIG. 11

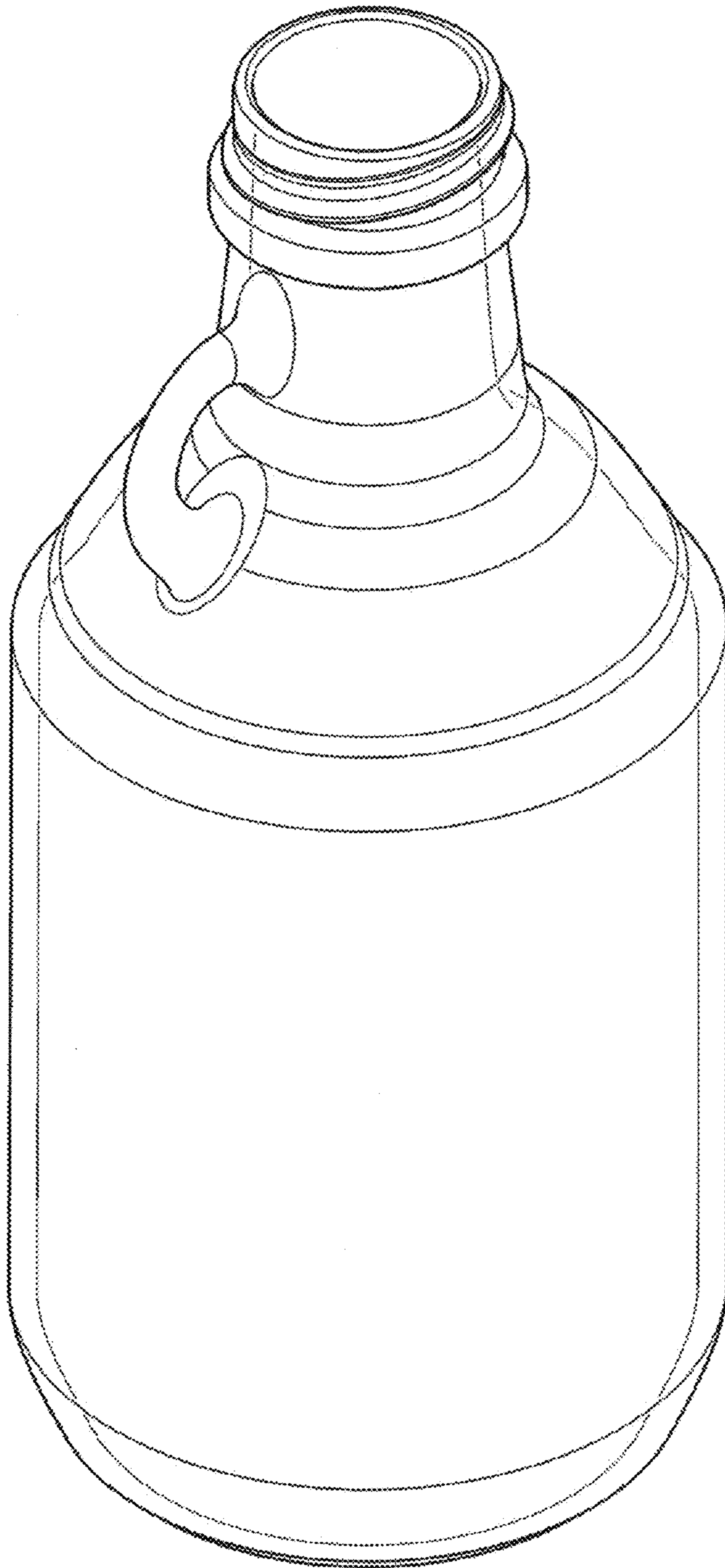


FIG. 12