



US00D740122S

(12) **United States Design Patent**
Rathbone et al.

(10) **Patent No.:** **US D740,122 S**

(45) **Date of Patent:** **** Oct. 6, 2015**

(54) **CONTAINER**

(71) Applicant: **The J.M. Smucker Company**, Orrville, OH (US)

(72) Inventors: **Jonathan Edward Rathbone**, Chicago, IL (US); **Christopher Steven Hart**, Chicago, IL (US)

(73) Assignee: **The J.M. Smucker Company**, Orrville, OH (US)

(**) Term: **14 Years**

(21) Appl. No.: **29/491,090**

(22) Filed: **May 16, 2014**

Related U.S. Application Data

(62) Division of application No. 29/413,109, filed on Feb. 10, 2012, now Pat. No. Des. 719,027.

(51) **LOC (10) Cl.** **09-01**

(52) **U.S. Cl.**
USPC **D9/529; D9/543**

(58) **Field of Classification Search**

USPC D9/424-425, 430, 432, 434-435, 516, D9/529-530, 535, 542-543, 559-560, D9/572-575, 734, 414, 571, 715; D7/538, D7/543, 601-602, 612, 615, 629-630; D3/201, 273, 302, 307; 215/379, 215/381-384; 220/660, 669, 675

CPC B65D 1/00; B65D 1/22; B65D 23/00; B65D 23/102; B65D 25/00; B65D 25/2882; B65D 25/2885; B65D 25/2891; B65D 2501/00; B65D 1/10; B65D 25/2897

See application file for complete search history.

(56) **References Cited**

U.S. PATENT DOCUMENTS

D241,599 S * 9/1976 Croyle et al. D7/629
D269,361 S * 6/1983 Marschak D3/302

D276,401 S 11/1984 Daenen et al.
D276,402 S 11/1984 Daenen et al.
D278,675 S * 5/1985 Tardif et al. D7/629

(Continued)

Primary Examiner — Dana L Meyrow

(74) *Attorney, Agent, or Firm* — Calfee, Halter & Griswold LLP

(57) **CLAIM**

We claim the ornamental design for a container, as shown and described.

DESCRIPTION

FIG. 1 is a front/left/top perspective view of a first embodiment of the container;

FIG. 2 is a front/left/bottom perspective thereof;

FIG. 3 is a front elevational view thereof, for which a rear elevational view would be a mirror image thereof;

FIG. 4 is a left side elevational view thereof;

FIG. 5 is a right side elevational view thereof;

FIG. 6 is a bottom plan view thereof;

FIG. 7 is a front/left/top perspective view of a second embodiment of the container;

FIG. 8 is a front/left/bottom perspective view thereof;

FIG. 9 is a front elevational view thereof, for which a rear elevational view would be a mirror image thereof;

FIG. 10 is a left side elevational view thereof;

FIG. 11 is a right side elevational view thereof;

FIG. 12 is a bottom plan view thereof;

FIG. 13 is a front/left/top perspective view of a third embodiment of the container;

FIG. 14 is a front/left/bottom perspective thereof;

FIG. 15 is a front elevational view thereof, for which a rear elevational view would be a mirror image thereof;

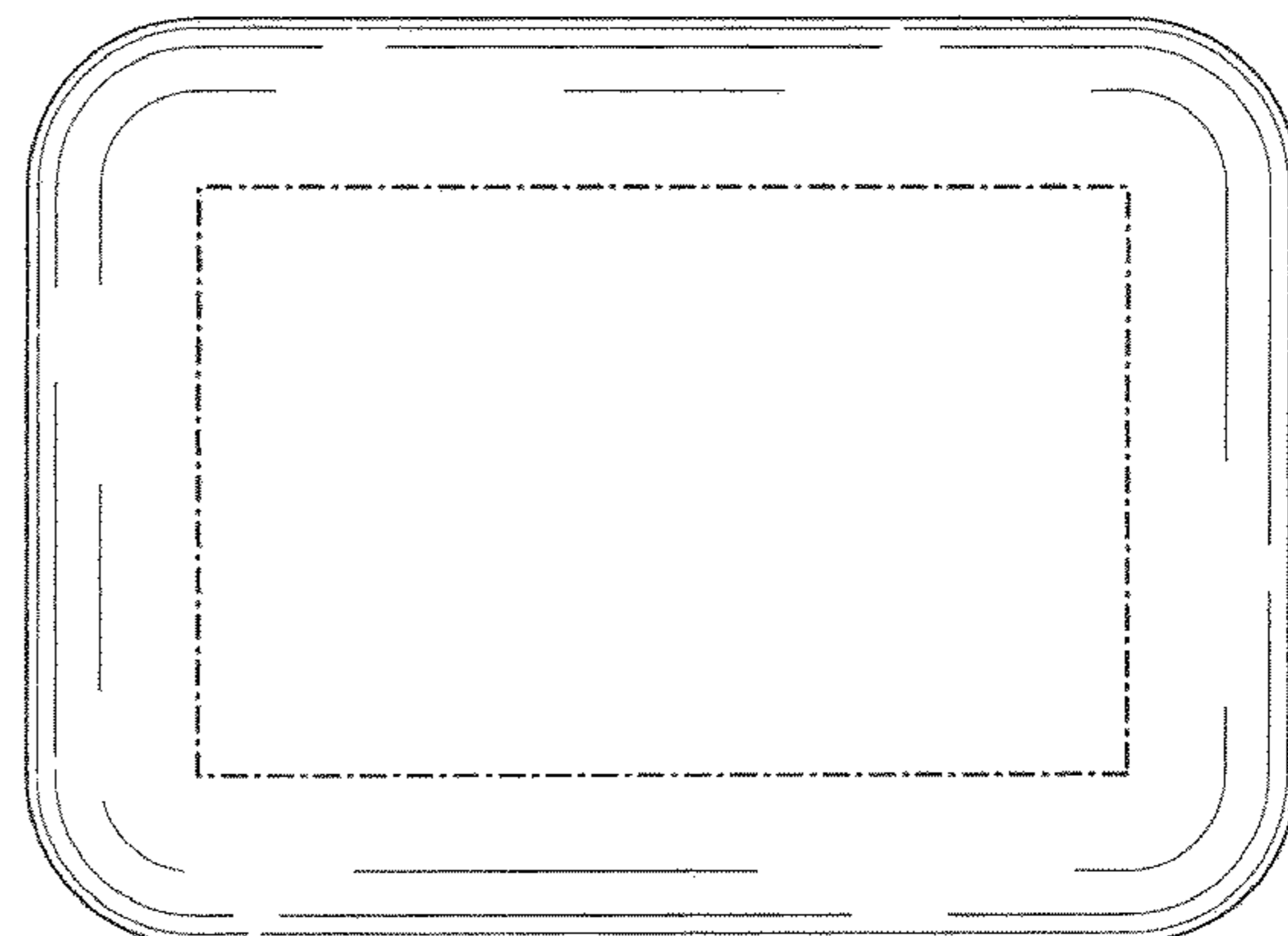
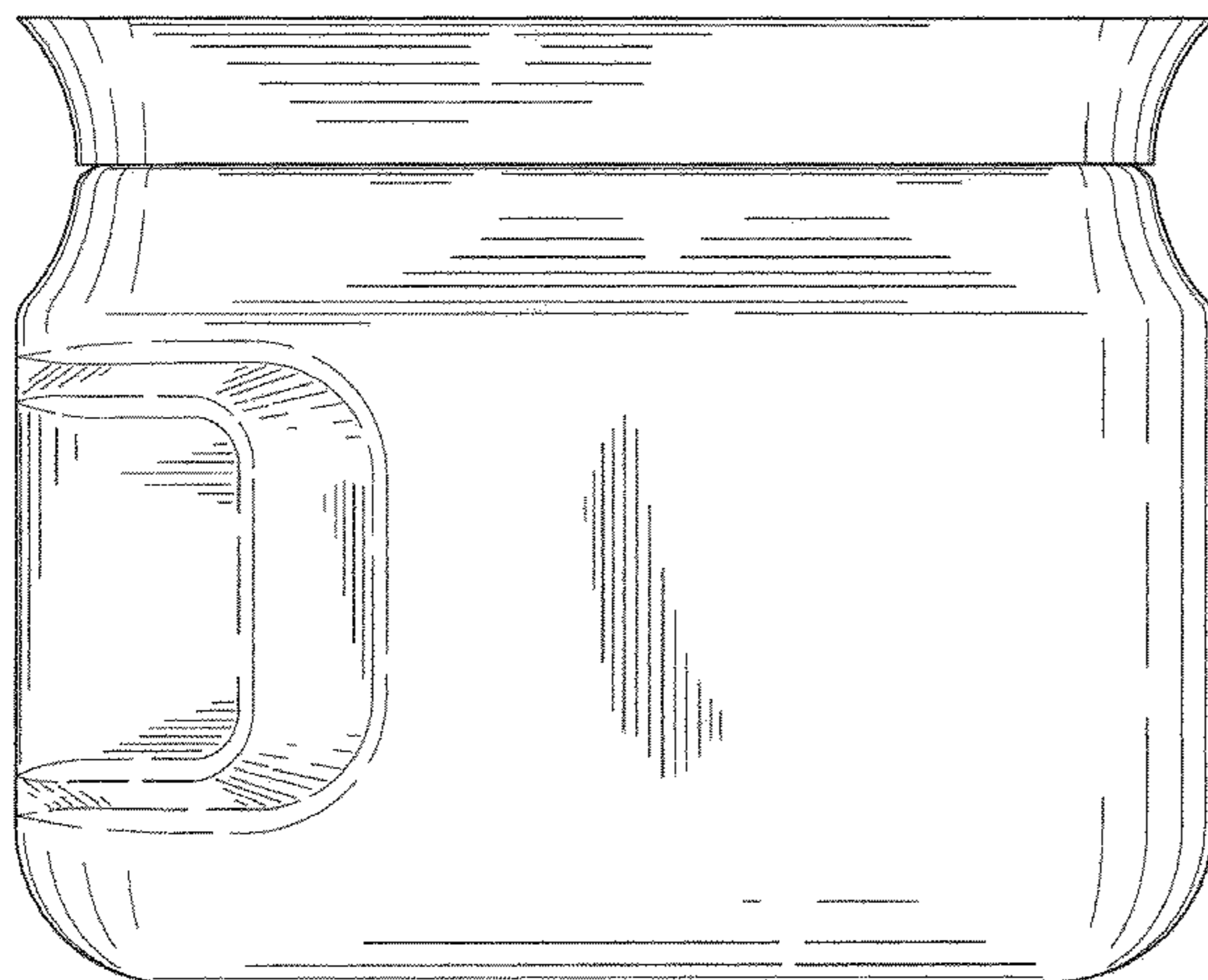
FIG. 16 is a left side elevational view thereof;

FIG. 17 is a right side elevational view thereof; and,

FIG. 18 is a bottom plan view thereof.

The dash-dot lines show the bounds of the invention and form no part of the claimed design.

1 Claim, 18 Drawing Sheets



(56)

References Cited

U.S. PATENT DOCUMENTS

D279,252 S	6/1985	Daenen et al.	
D389,067 S *	1/1998	Lown	D9/543
D392,845 S	3/1998	Lown et al.	
D413,200 S *	8/1999	Baker	D3/23
6,349,839 B1 *	2/2002	Mooney	215/384
D462,012 S *	8/2002	Manderfield, Jr.	D9/530
D464,879 S *	10/2002	Meeker et al.	D9/424
D465,153 S *	11/2002	Meeker et al.	D9/424
D484,797 S	1/2004	Kipperman et al.	
D530,617 S *	10/2006	Little et al.	D9/543
D541,662 S *	5/2007	Little et al.	D9/543
D543,467 S *	5/2007	Dorn	D9/543
D555,487 S	11/2007	Perry et al.	
7,370,788 B1 *	5/2008	Otani et al.	229/406
D571,197 S *	6/2008	Sanfilippo et al.	D9/420
D572,086 S *	7/2008	Matsumoto et al.	D7/629
D574,710 S	8/2008	Gangrade	
D578,401 S	10/2008	Perry et al.	
D588,008 S *	3/2009	Flanagan-Kent et al.	D9/531
D600,131 S	9/2009	Perry et al.	
D608,193 S *	1/2010	Sanfilippo et al.	D9/420
D654,799 S	2/2012	Liu	
D684,824 S	6/2013	Sweet et al.	
D699,129 S	2/2014	Possell et al.	
D719,027 S *	12/2014	Rathbone et al.	D9/529

* cited by examiner

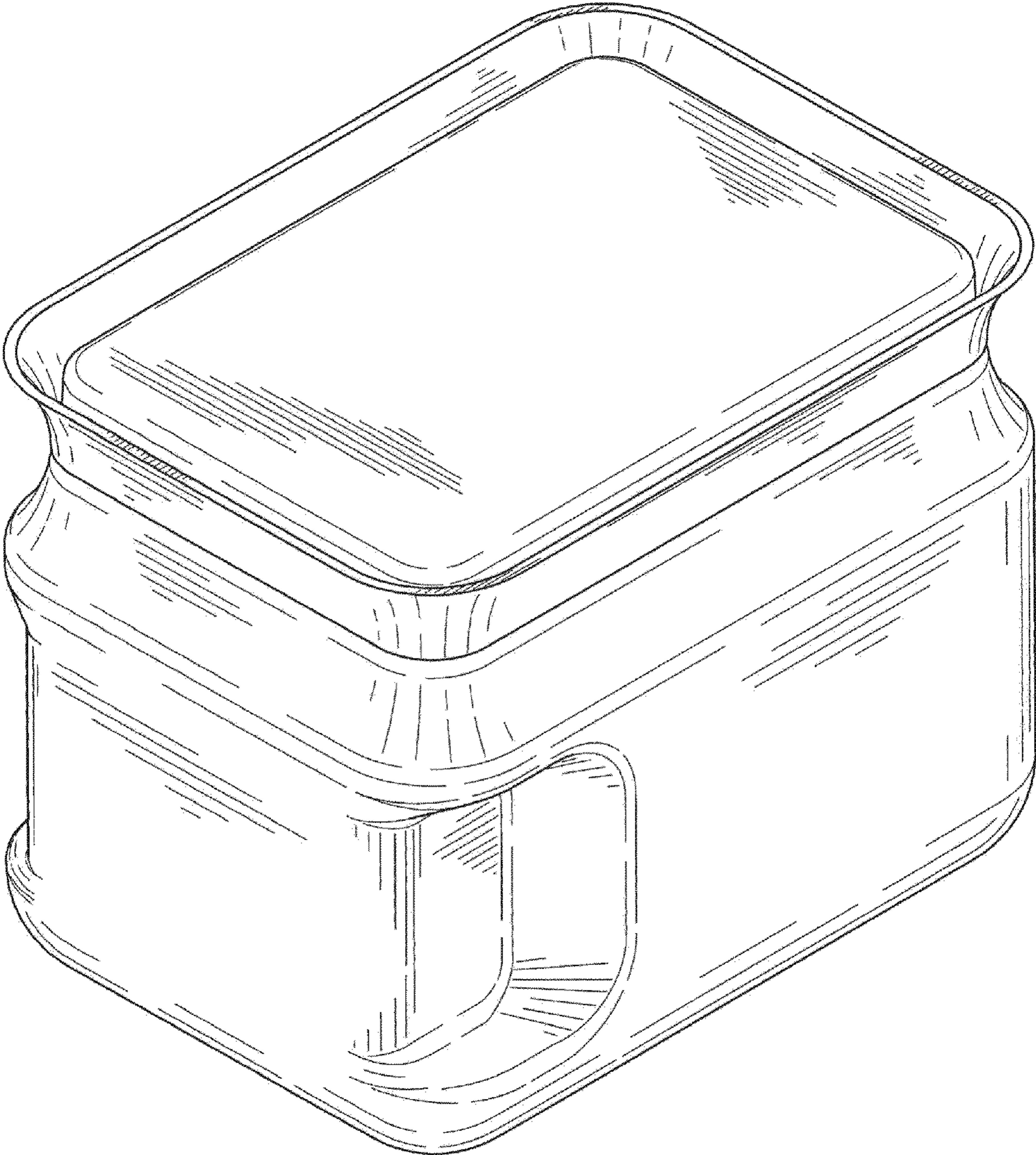


FIG. 1

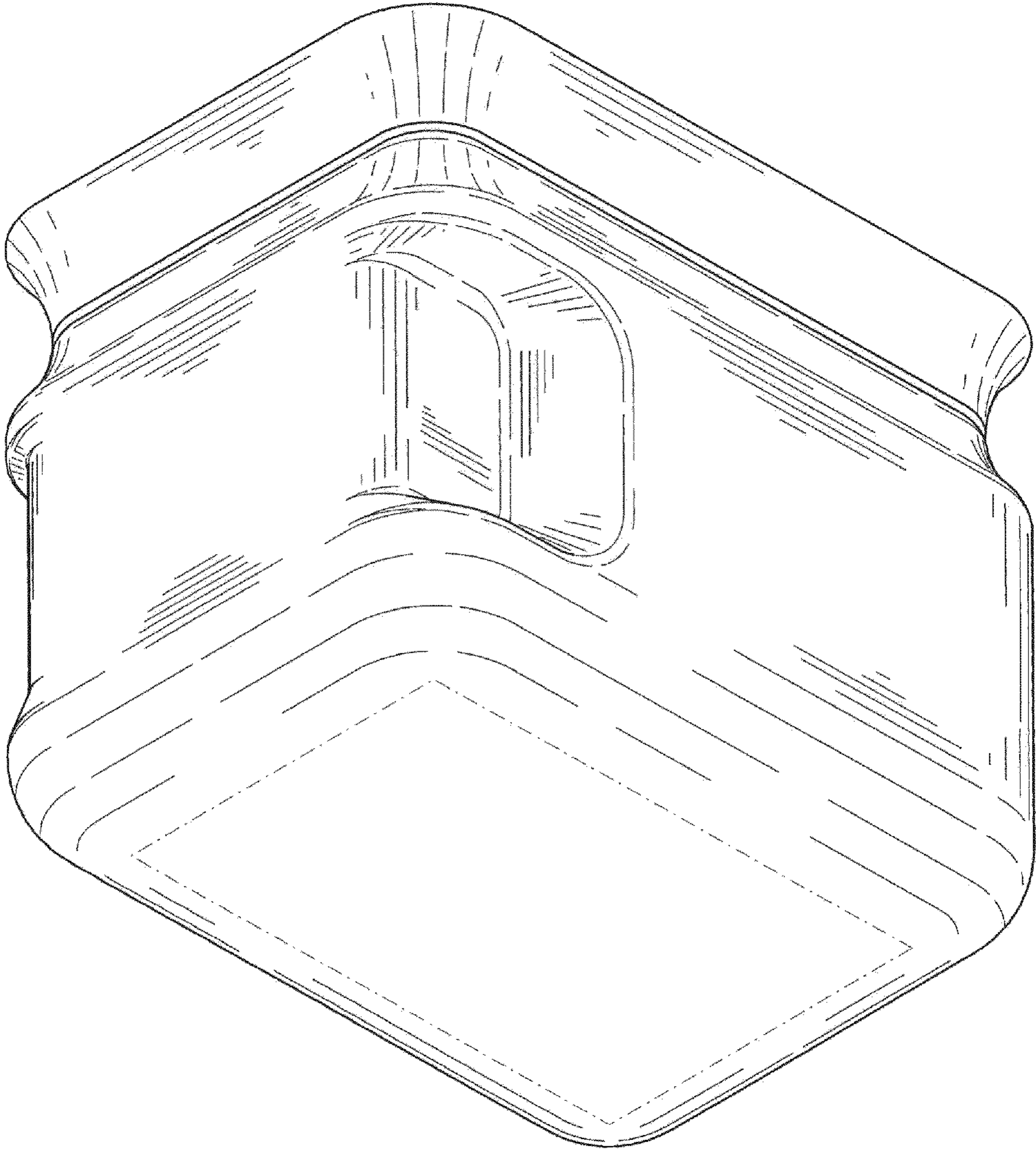


FIG. 2

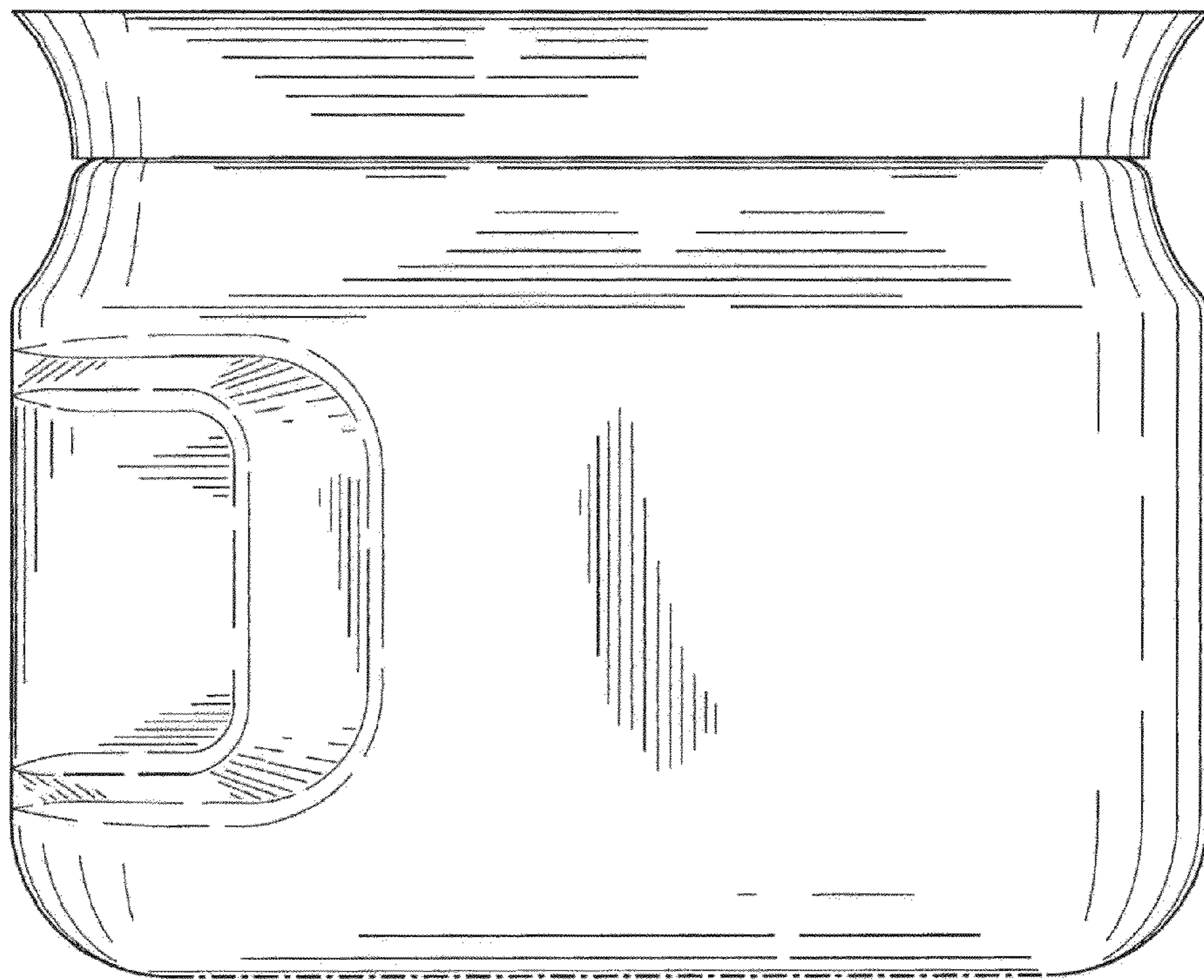


FIG. 3

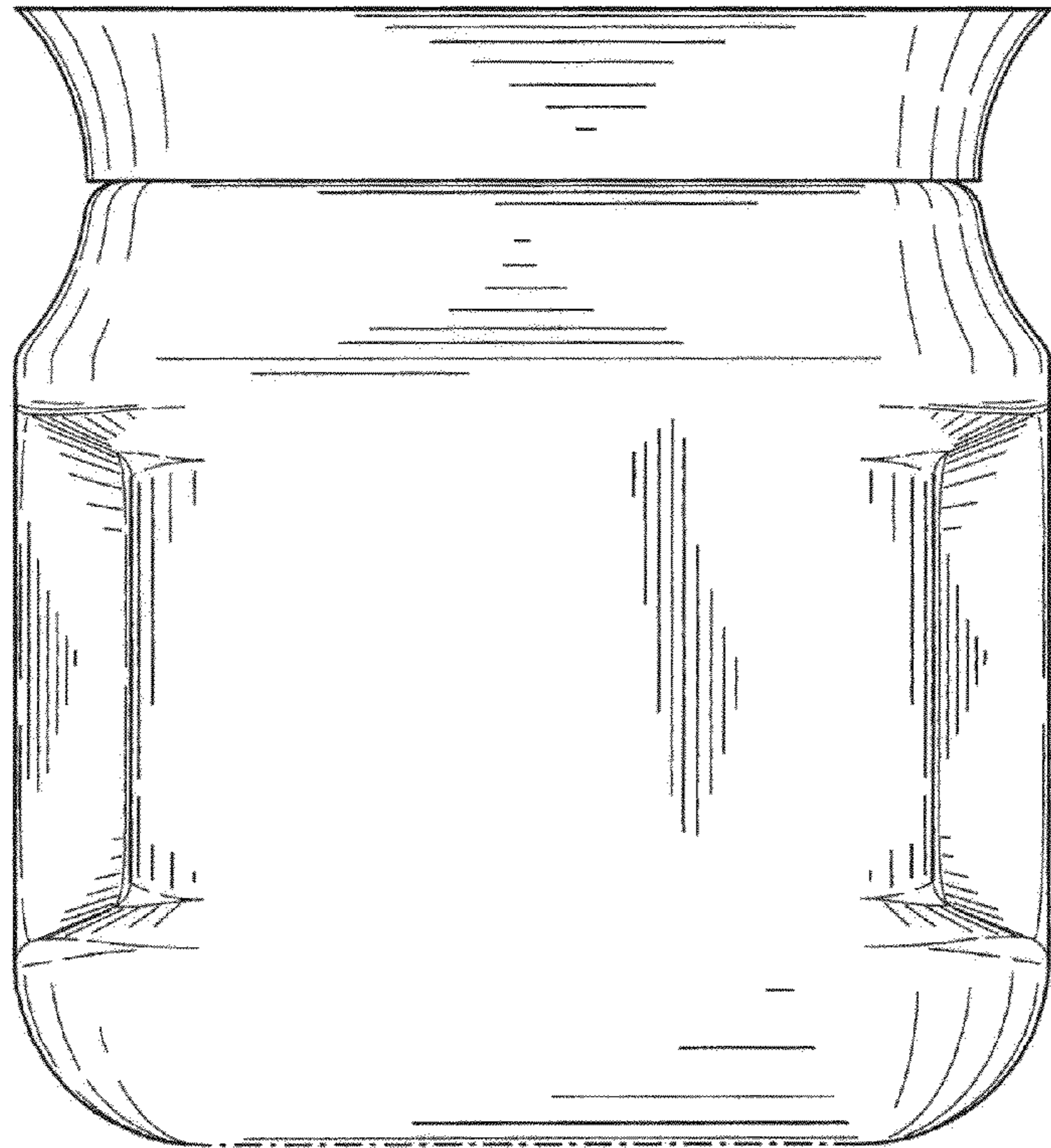


FIG. 4

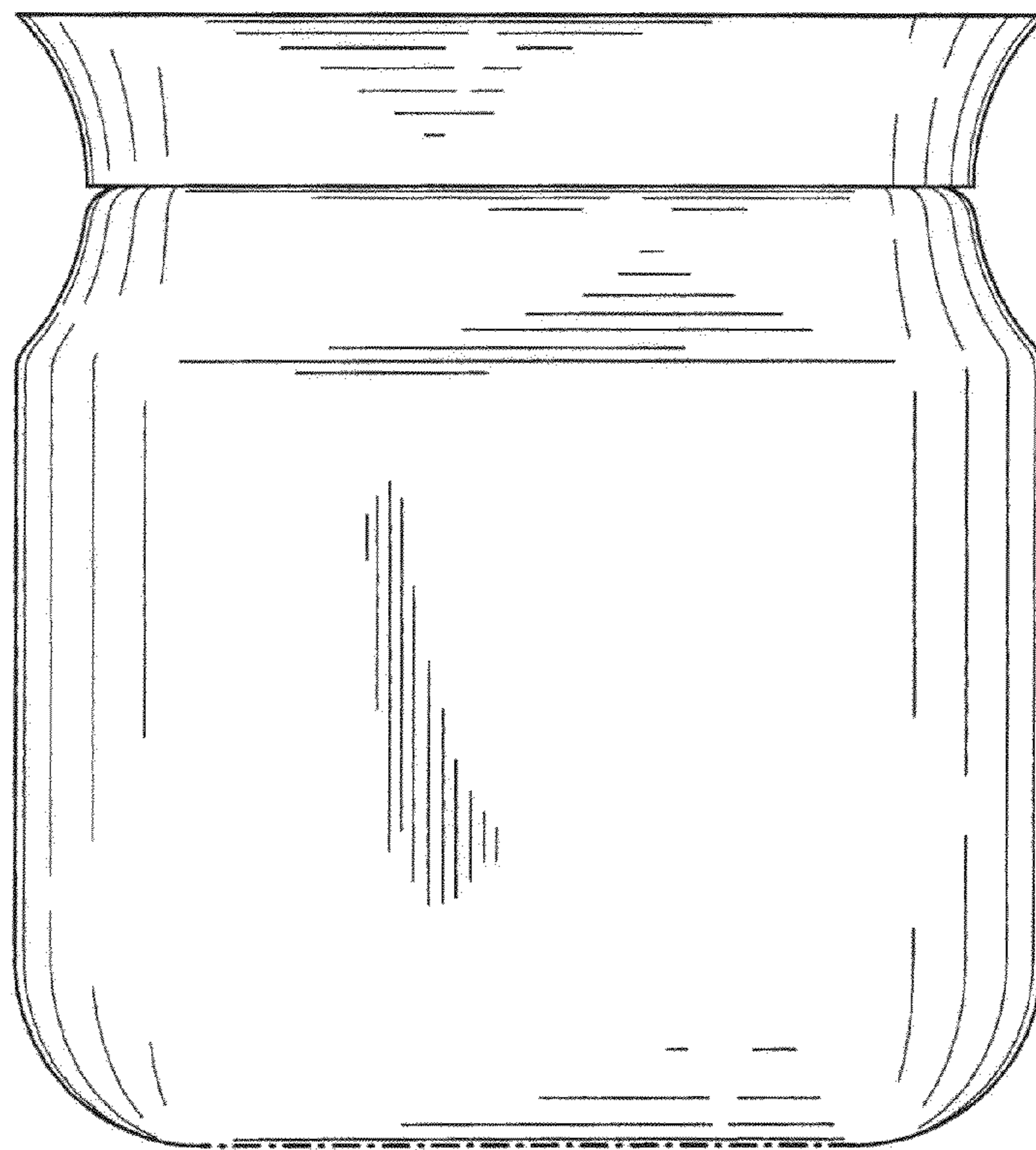


FIG. 5

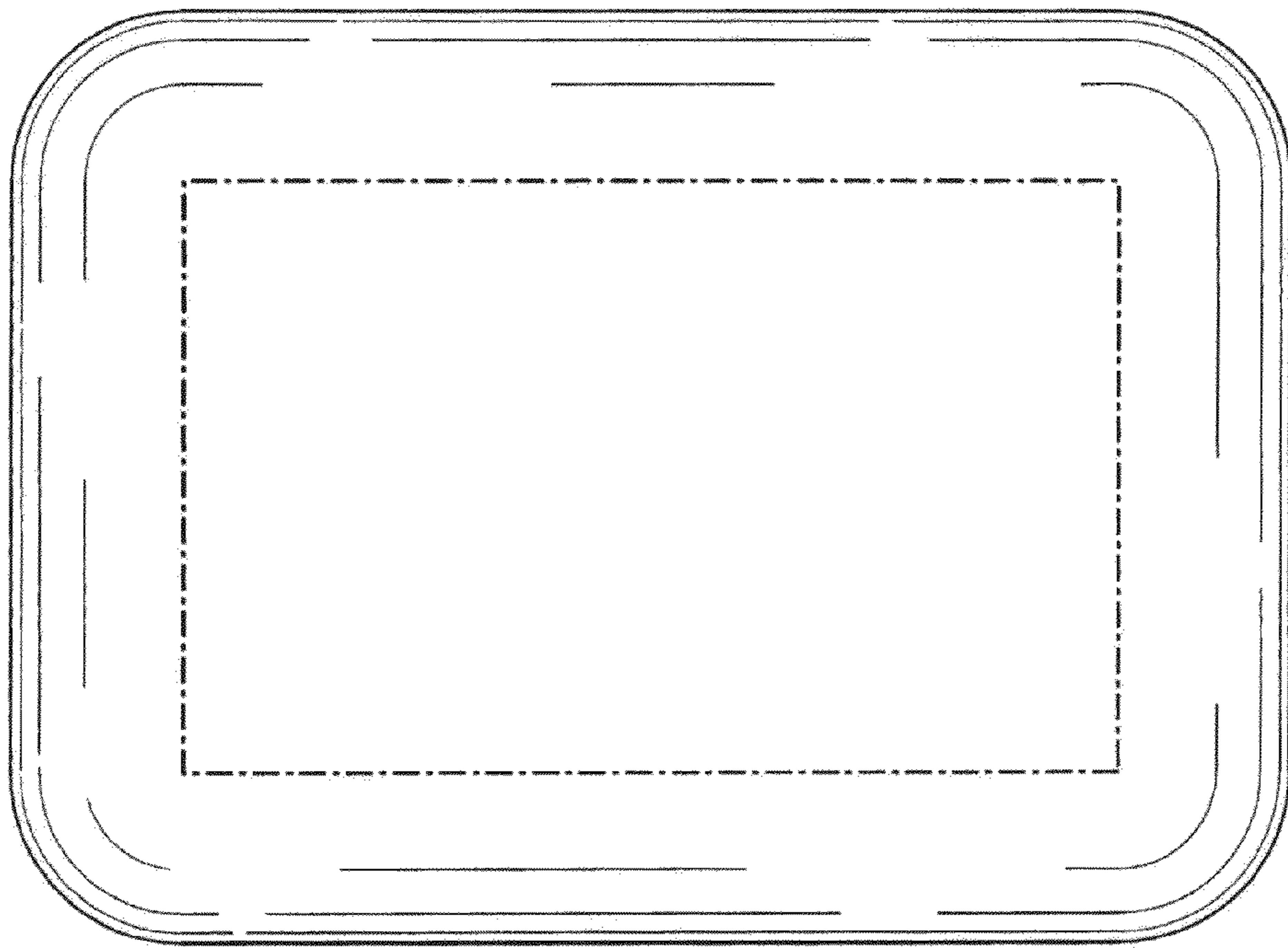


FIG. 6

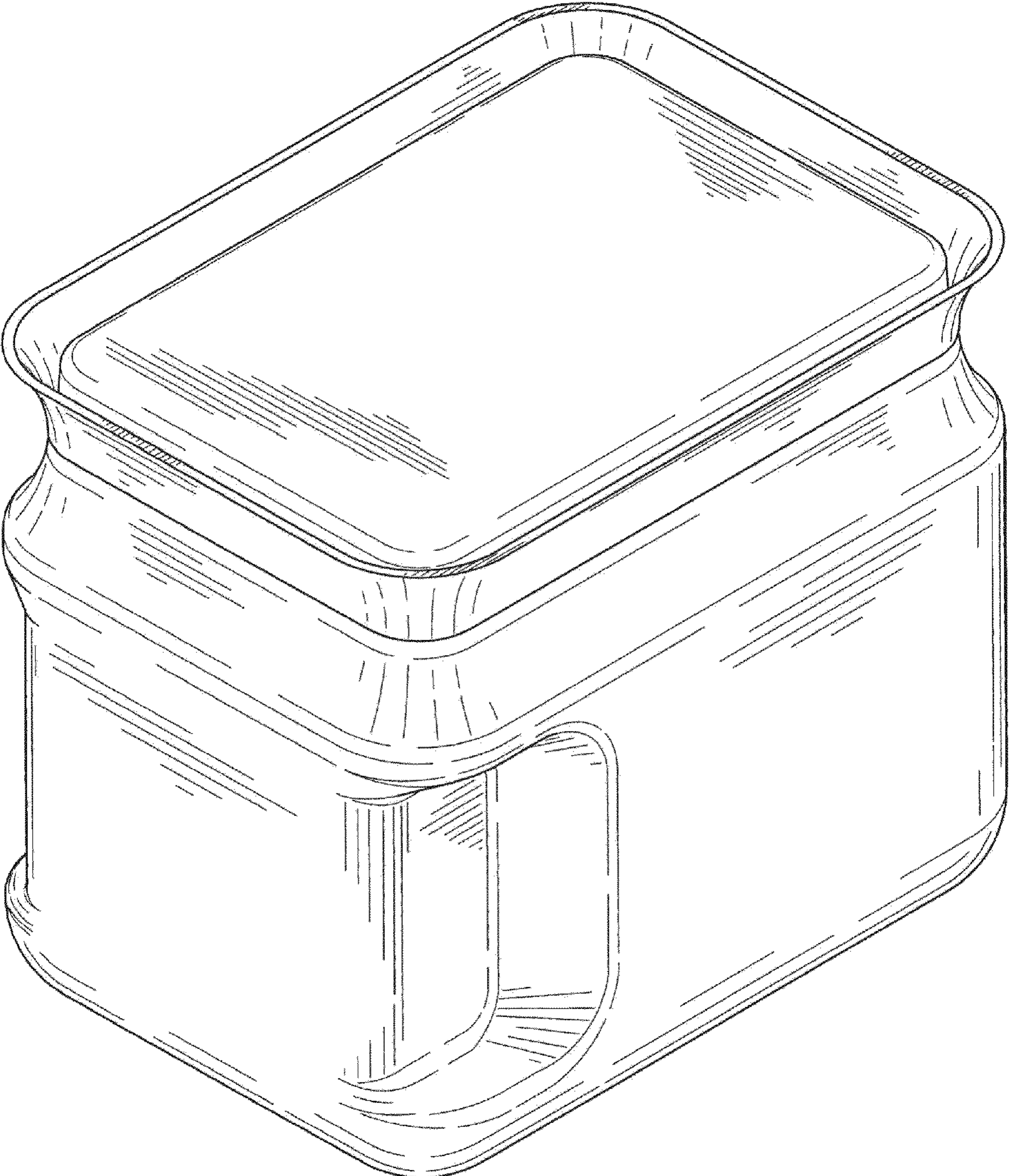


FIG. 7

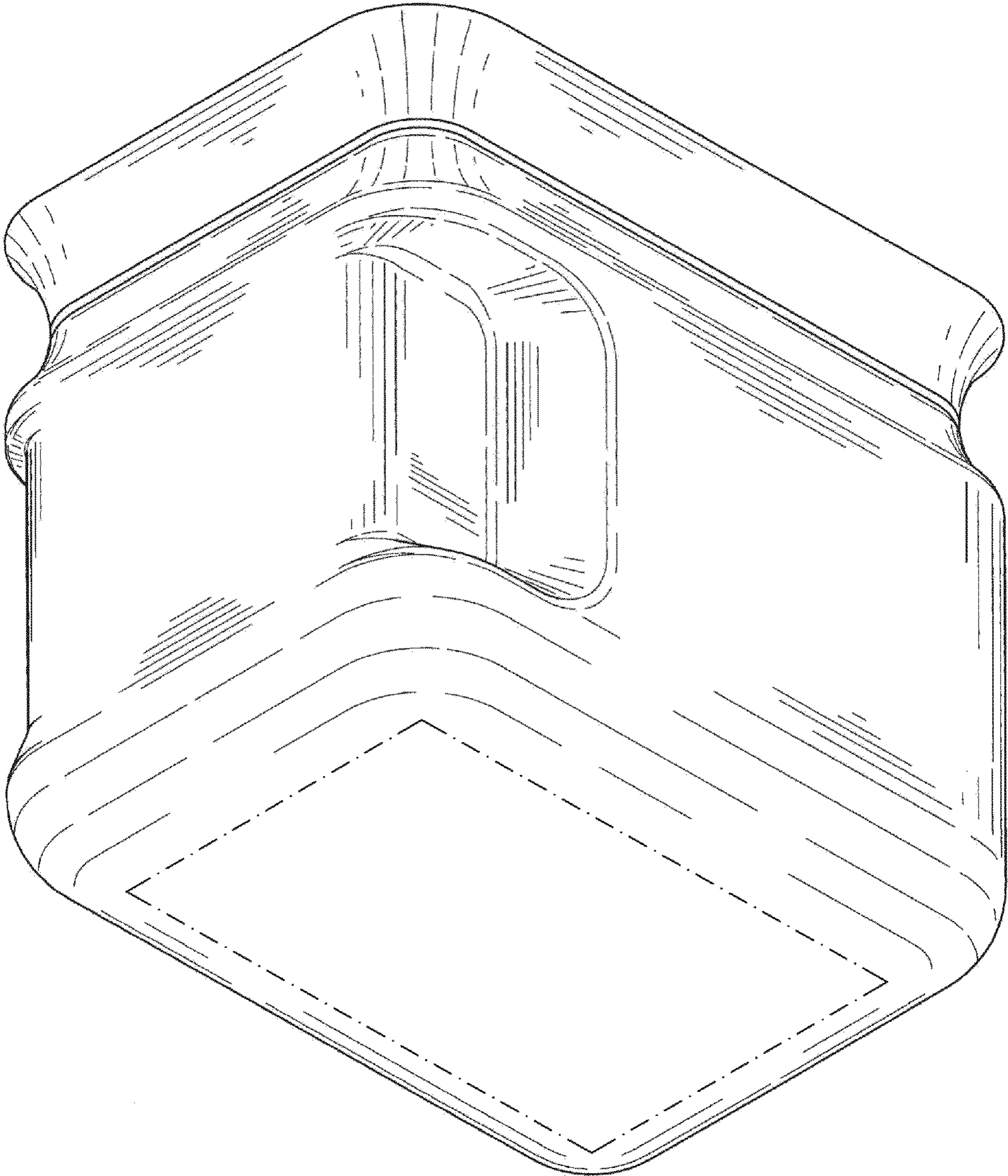


FIG. 8

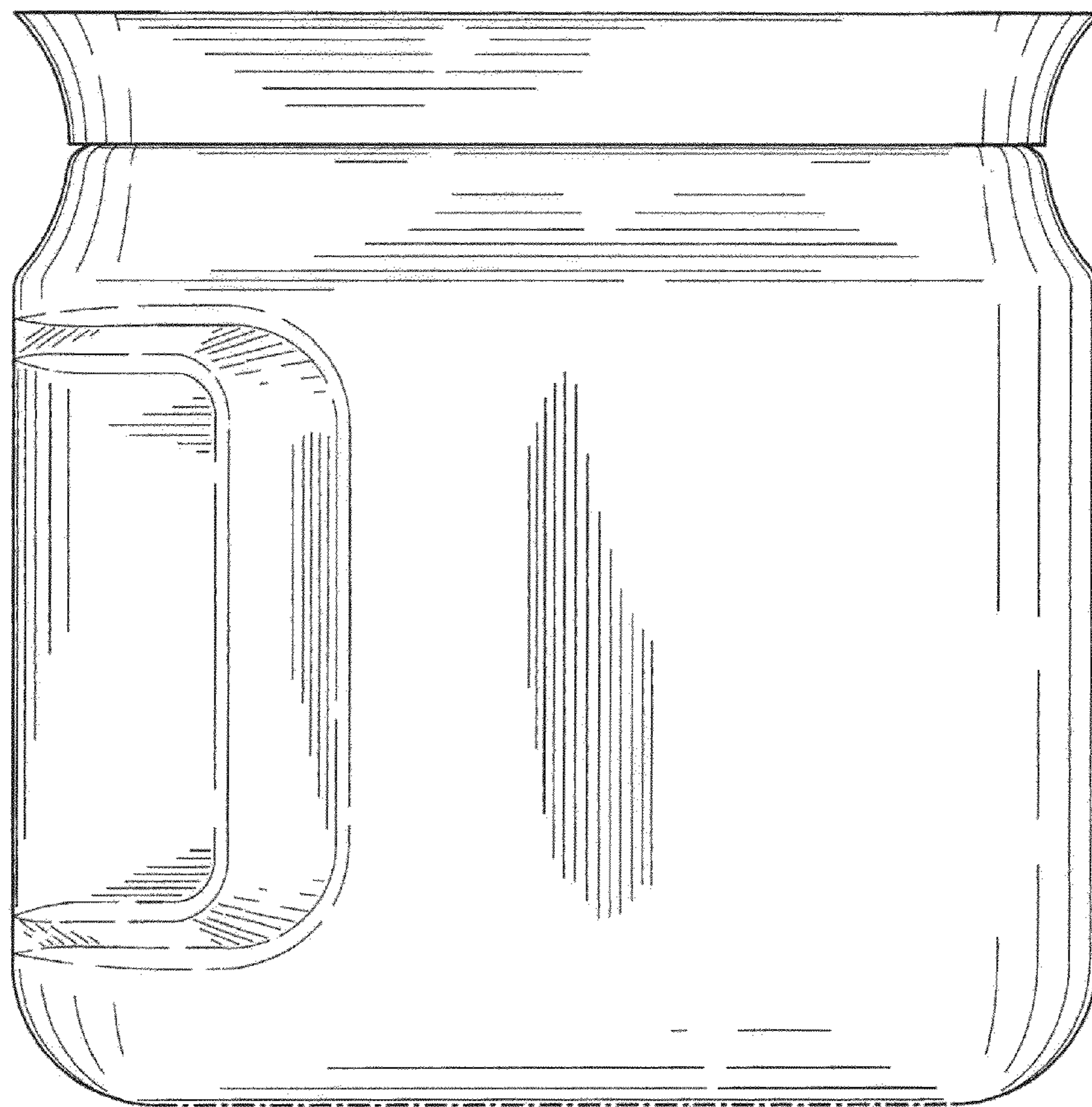


FIG. 9

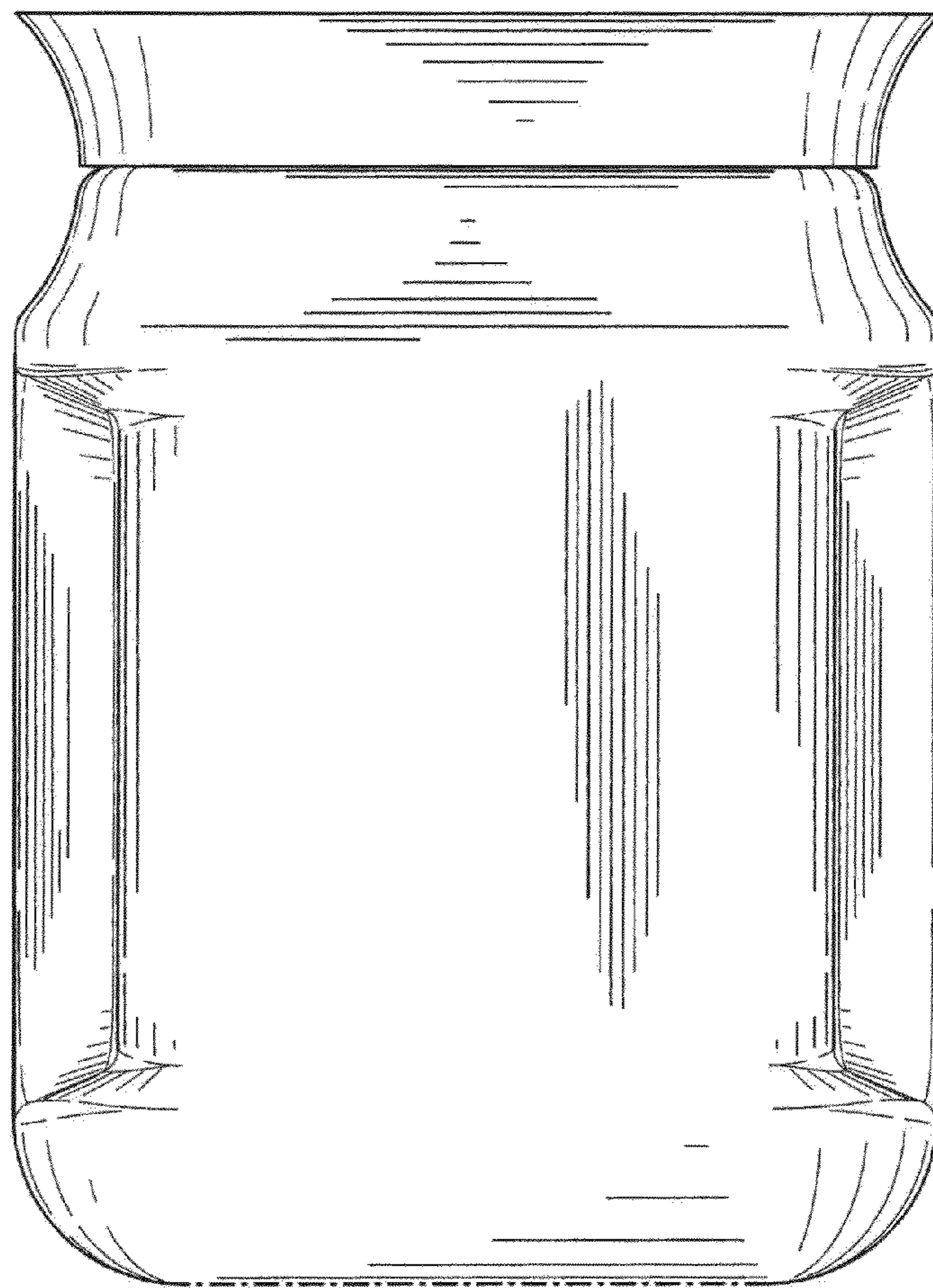


FIG. 10

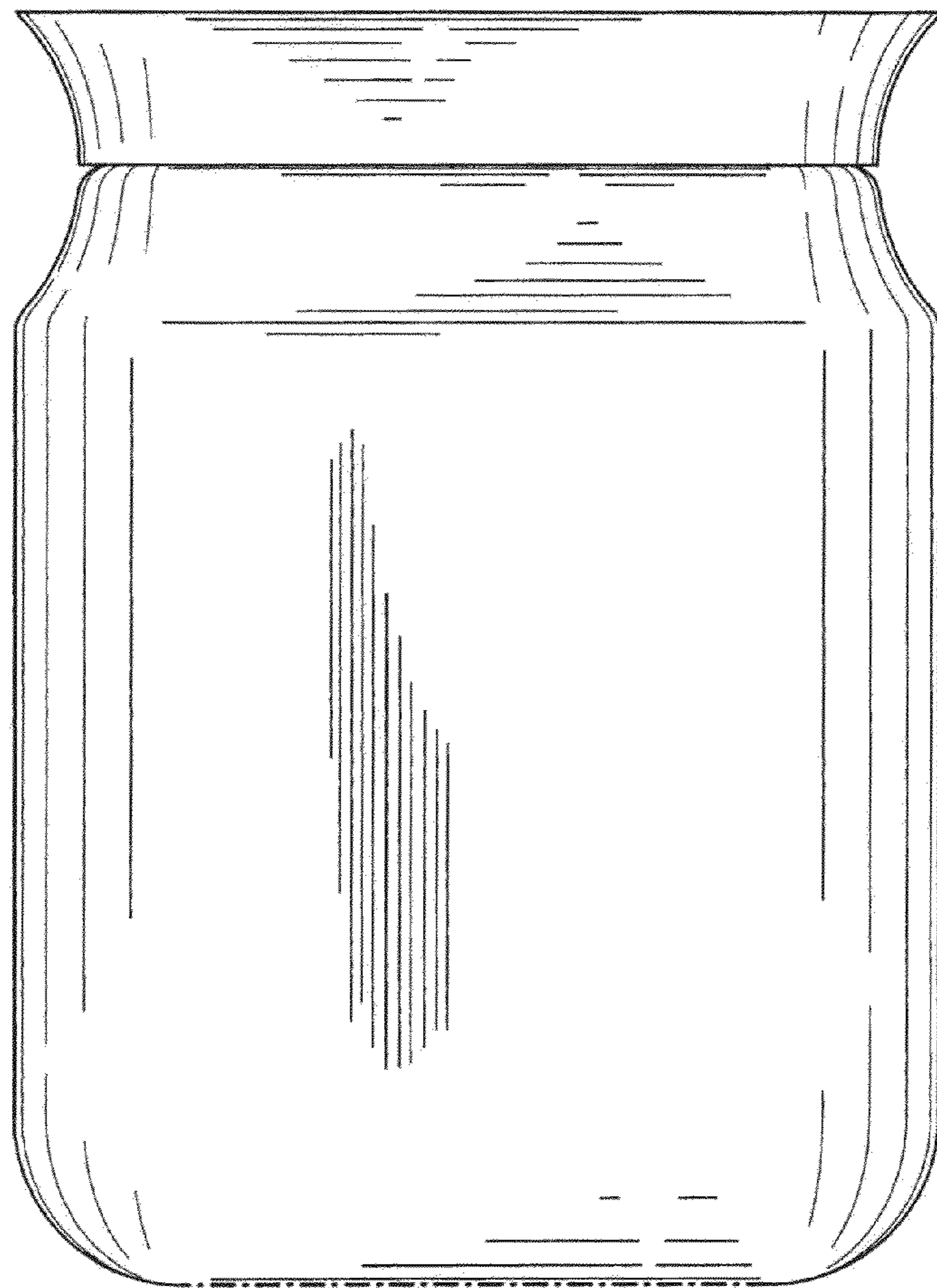


FIG. 11

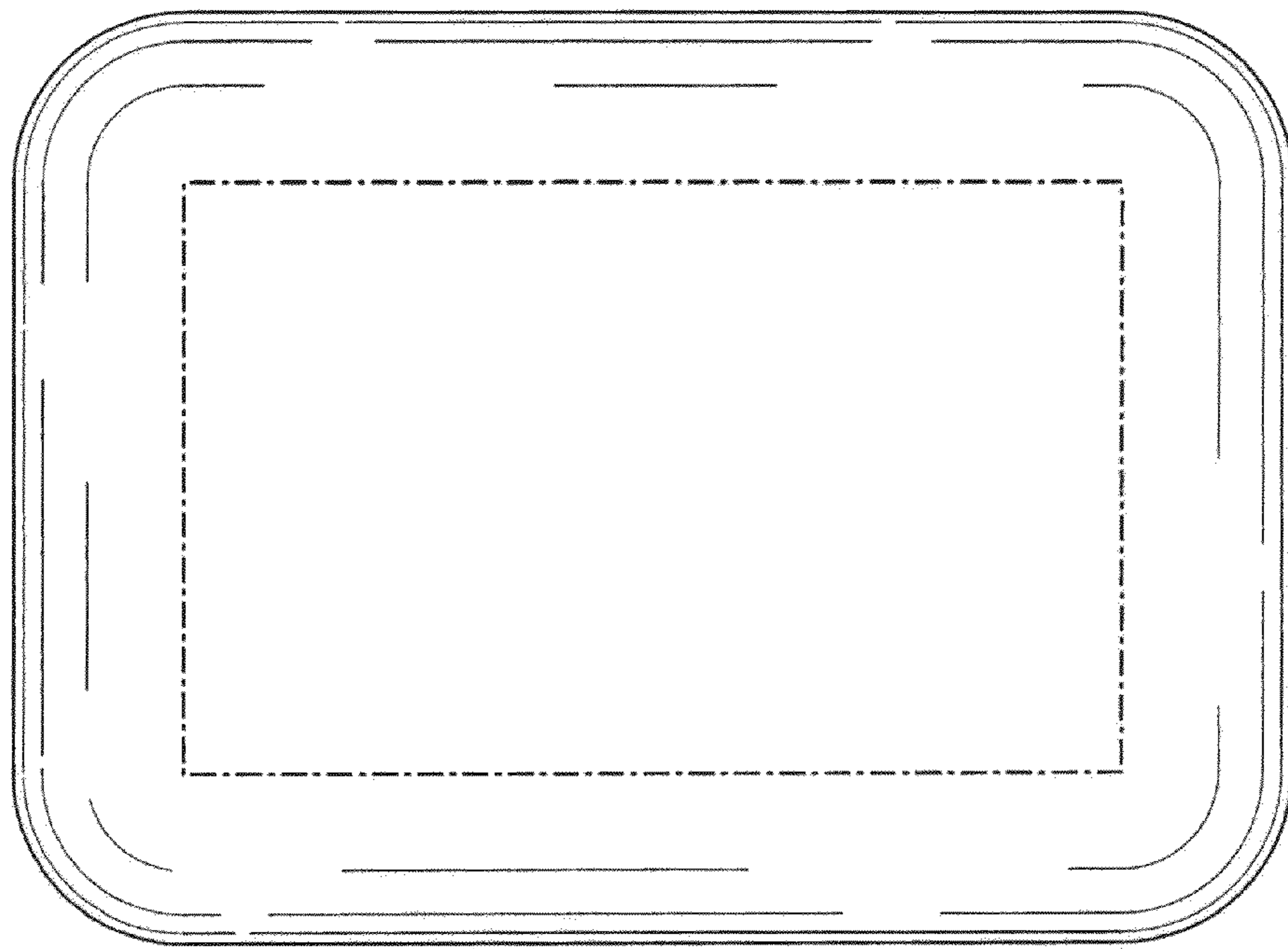


FIG. 12

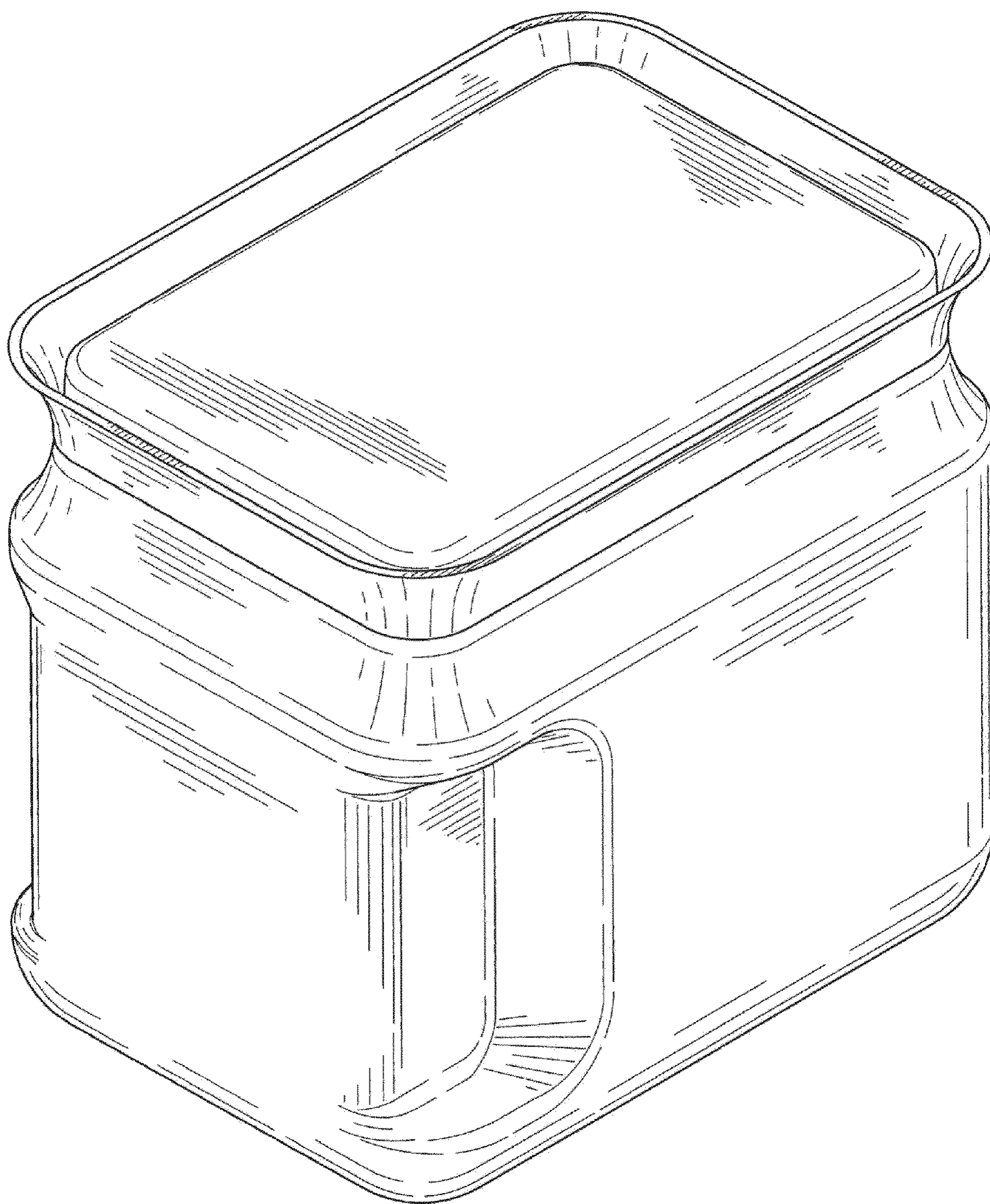


FIG. 13

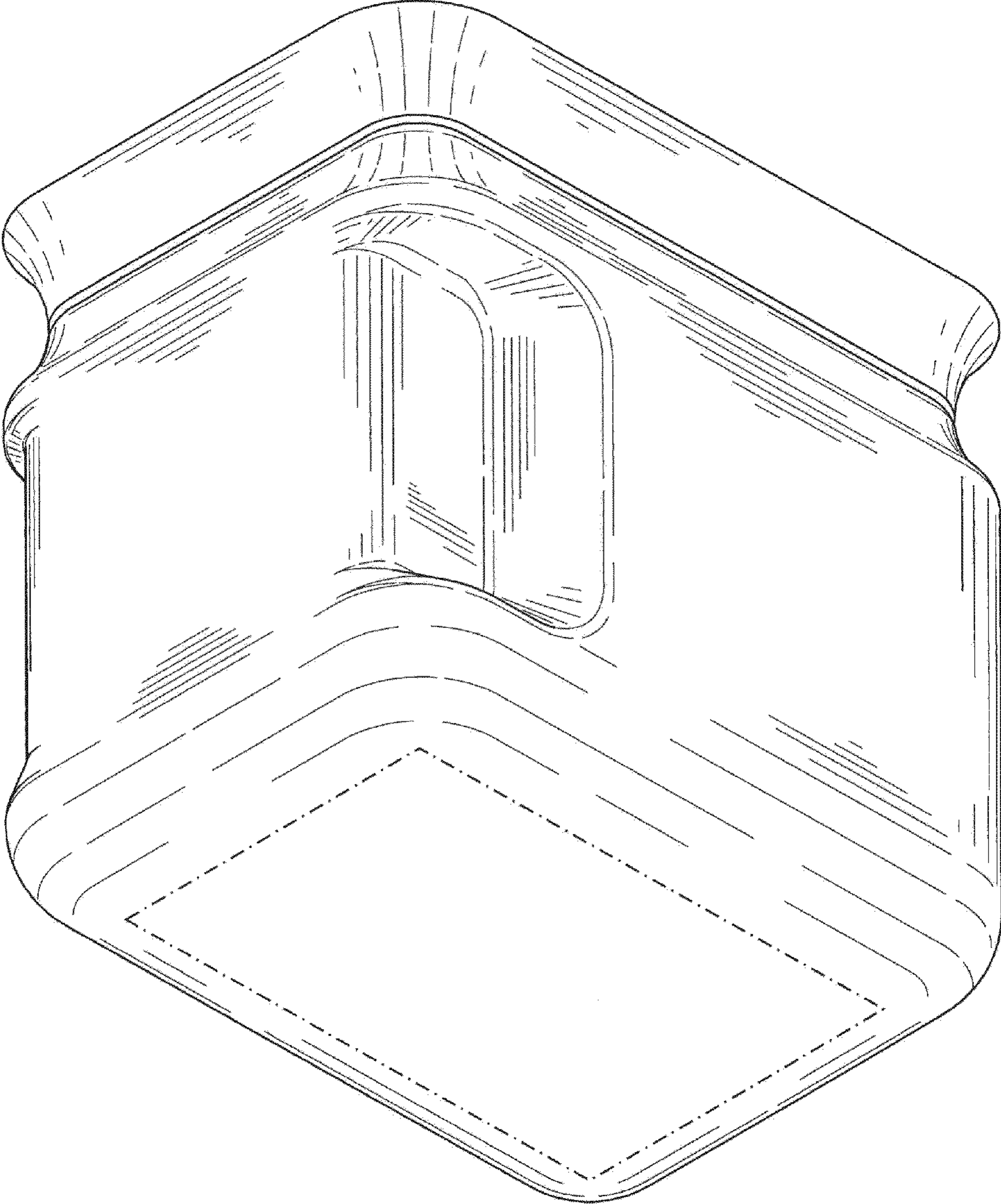


FIG. 14

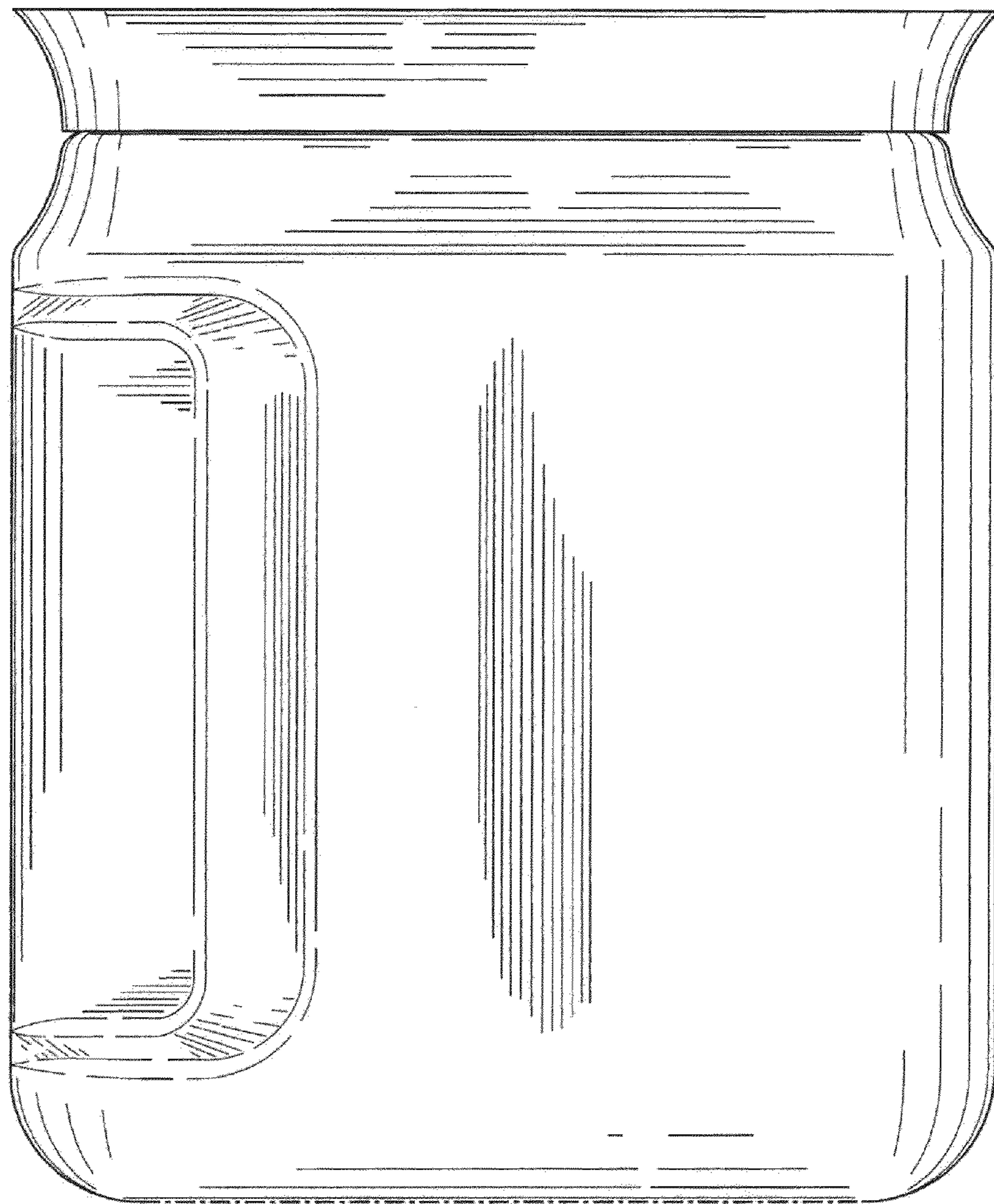


FIG. 15

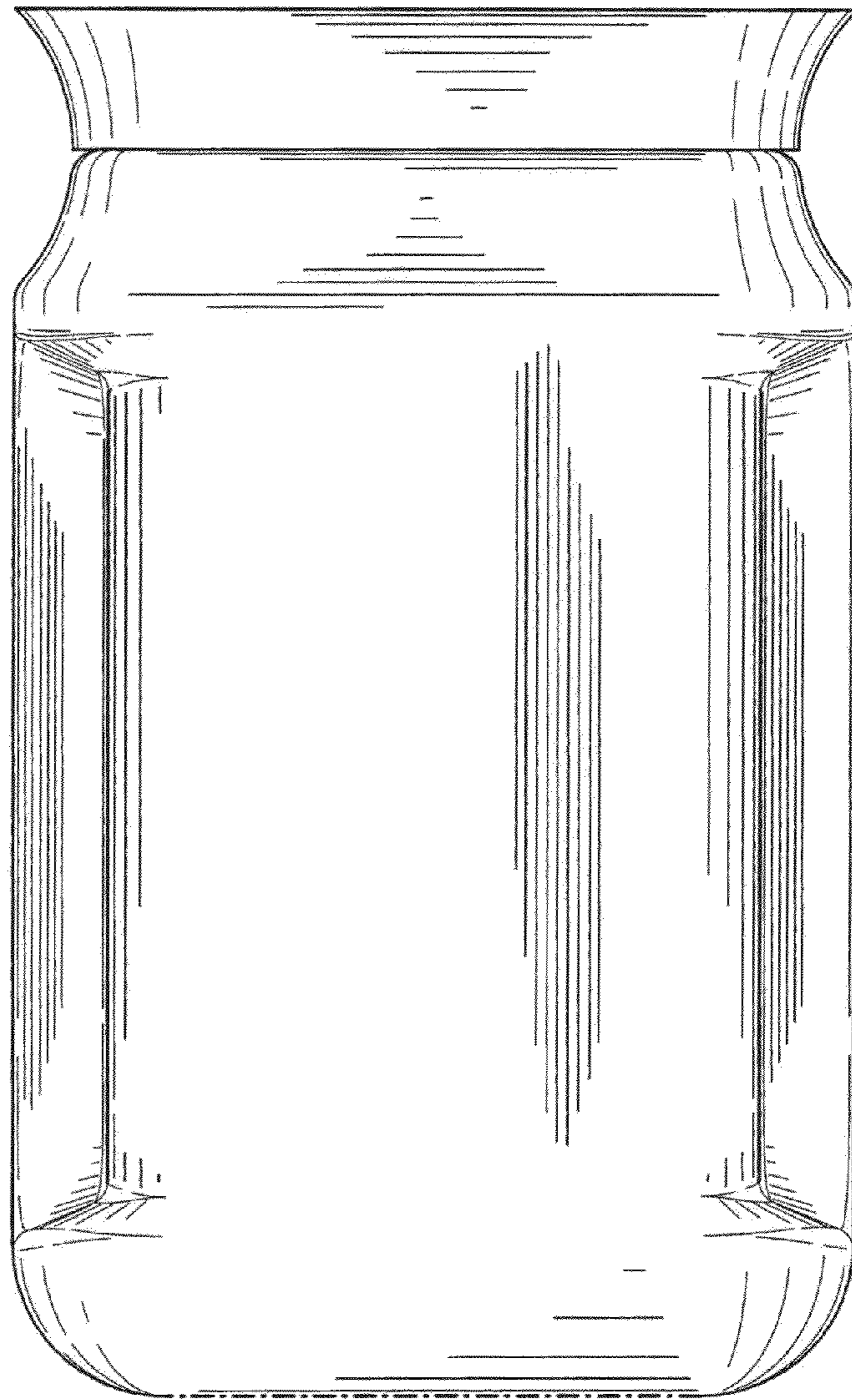


FIG. 16

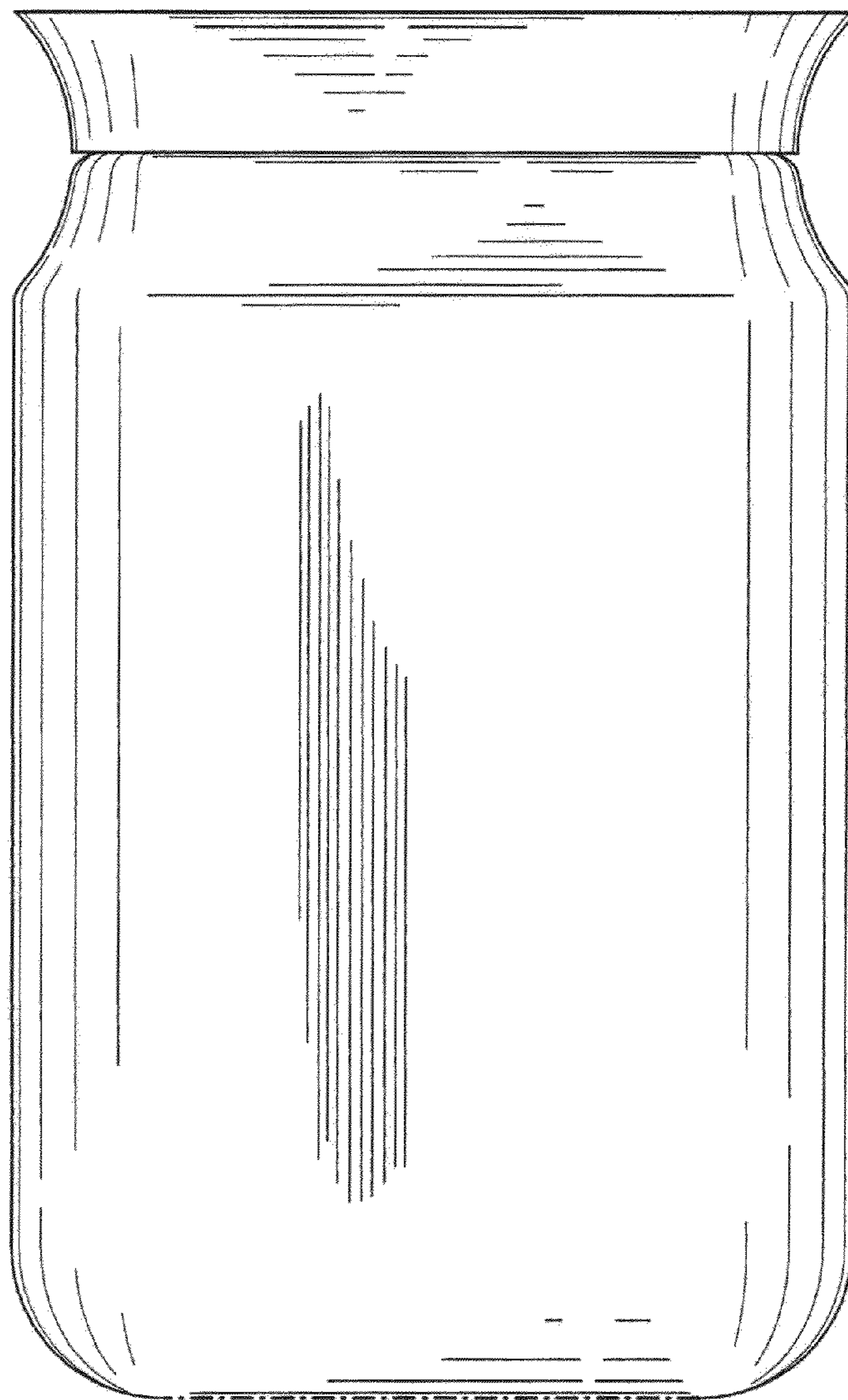


FIG. 17

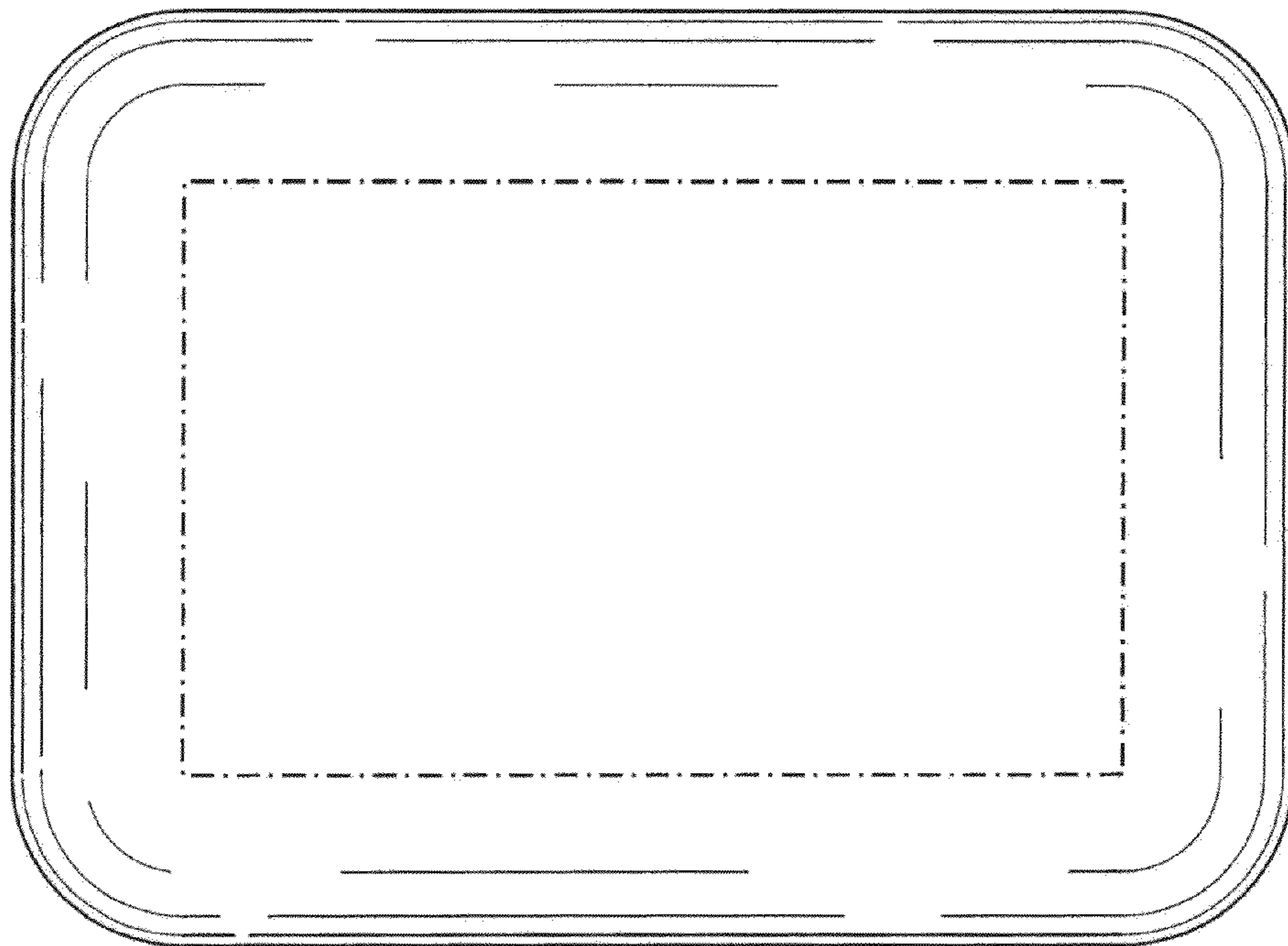


FIG. 18