



US00D740118S

(12) **United States Design Patent**
Kawai et al.

(10) **Patent No.:** **US D740,118 S**
(45) **Date of Patent:** **** Oct. 6, 2015**

(54) **PACKAGING CONTAINER**

FOREIGN PATENT DOCUMENTS

(71) Applicant: **DIC CORPORATION**, Tokyo (JP)

JP 1460967 S 2/2013
JP 1460968 S 2/2013

(72) Inventors: **Toru Kawai**, Sendai (JP); **Hiroki Mitsuhashi**, Funabashi (JP)

(Continued)

(73) Assignee: **DIC CORPORATION**, Tokyo (JP)

OTHER PUBLICATIONS

(**) Term: **14 Years**

<http://www.morinagamilk.co.jp/download/index/7104/20130328>.
New TV Commercial, "Hareruya" version, for Morinaga's "Kraft World Select" packaged in a bag with an adhesive film, Mar. 22, 2013.

(21) Appl. No.: **29/508,334**

Primary Examiner — Robert M Spear

(22) Filed: **Nov. 5, 2014**

(74) *Attorney, Agent, or Firm* — Westerman, Hattori, Daniels & Adrian, LLP

Related U.S. Application Data

(57) **CLAIM**

(62) Division of application No. 29/467,303, filed on Sep. 18, 2013, now Pat. No. Des. 727,146.

The ornamental design for a packaging container, as shown and described.

Foreign Application Priority Data

DESCRIPTION

(30) Mar. 29, 2013 (JP) 2013-007140
Mar. 29, 2013 (JP) 2013-007141
Mar. 29, 2013 (JP) 2013-007142
Jul. 4, 2013 (JP) 2013-015240

FIG. 1 is a front perspective view of a first embodiment of a packaging container showing our new design;
FIG. 2 is a front view thereof;
FIG. 3 is top plan view thereof;
FIG. 4 is an enlarged top plan view thereof;
FIG. 5 is a bottom plan view thereof;
FIG. 6 is an enlarged bottom plan view thereof;
FIG. 7 is right side view thereof;
FIG. 8 is a left side view thereof;
FIG. 9 is a referential view thereof showing the article in use;
FIG. 10 is a front perspective view of a second embodiment of a packaging container showing our new design;
FIG. 11 is a front view thereof;
FIG. 12 is a top plan view thereof;
FIG. 13 is an enlarged top plan view thereof;
FIG. 14 is a bottom plan view thereof;
FIG. 15 is an enlarged bottom plan view thereof;
FIG. 16 is a right side view thereof;
FIG. 17 is a left side view thereof; and,
FIG. 18 is a referential view thereof showing the article in use.
The features shown in broken lines in the drawings depict environmental subject matter only and form no part of the claimed design. The dashed-dotted lines denote the boundary of the claim and form no part of the claimed design.

(51) **LOC (10) CL.** **09-99**

(52) **U.S. Cl.**
USPC **D9/499**; D9/434; D20/27

(58) **Field of Classification Search**
USPC D9/416, 434, 436, 438, 518, 902;
D3/302, 303; 229/75, 76, 80.5, 82;
D20/22, 27, 28; D19/3, 4
CPC B65D 27/30; B65D 27/36
See application file for complete search history.

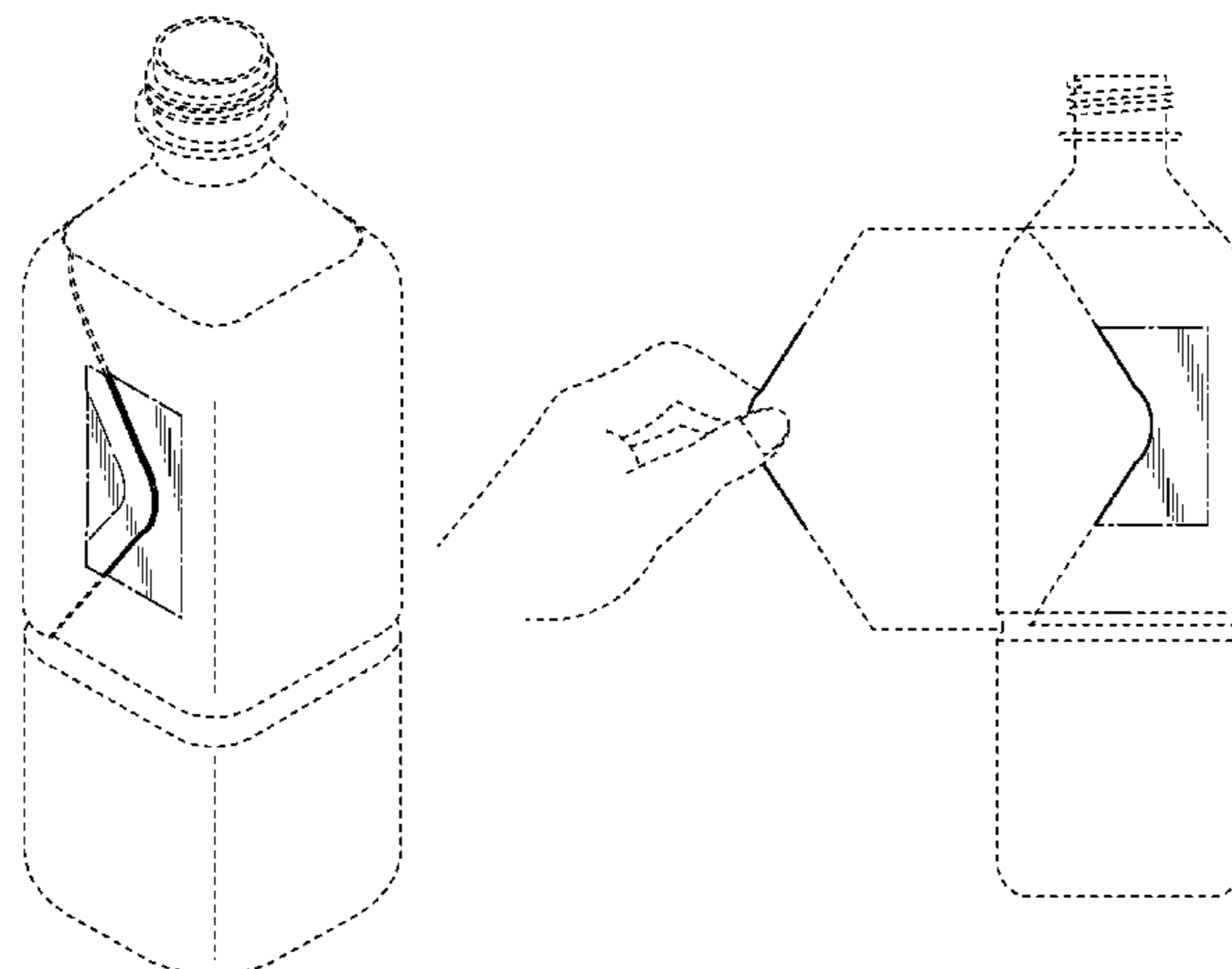
(56) **References Cited**

U.S. PATENT DOCUMENTS

D2,340 S 6/1866 Raynor
D4,839 S 4/1871 Cade

(Continued)

1 Claim, 18 Drawing Sheets



(56)

References Cited

U.S. PATENT DOCUMENTS

D8,225 S 3/1875 Sneider
D18,414 S 6/1888 Stern
674,461 A 5/1901 Gerken
D34,777 S 7/1901 Williams
D35,416 S * 12/1901 Dougherty D19/3
1,683,584 A * 9/1928 Hogan 383/38
1,714,349 A * 5/1929 Dahlke D19/3
1,981,440 A 11/1934 Swift
2,856,115 A 10/1958 O'Brien
3,482,765 A 12/1969 Probst, Jr.

3,889,873 A * 6/1975 Clough 229/72
5,873,603 A 2/1999 Carless et al.
D432,172 S * 10/2000 Moor D19/99
D558,825 S 1/2008 Masters
D604,983 S 12/2009 Rossell
D635,193 S 3/2011 Renteria

FOREIGN PATENT DOCUMENTS

JP 1460971 S 2/2013
JP 1461144 S 2/2013
JP 1461145 S 2/2013

* cited by examiner

FIG. 1

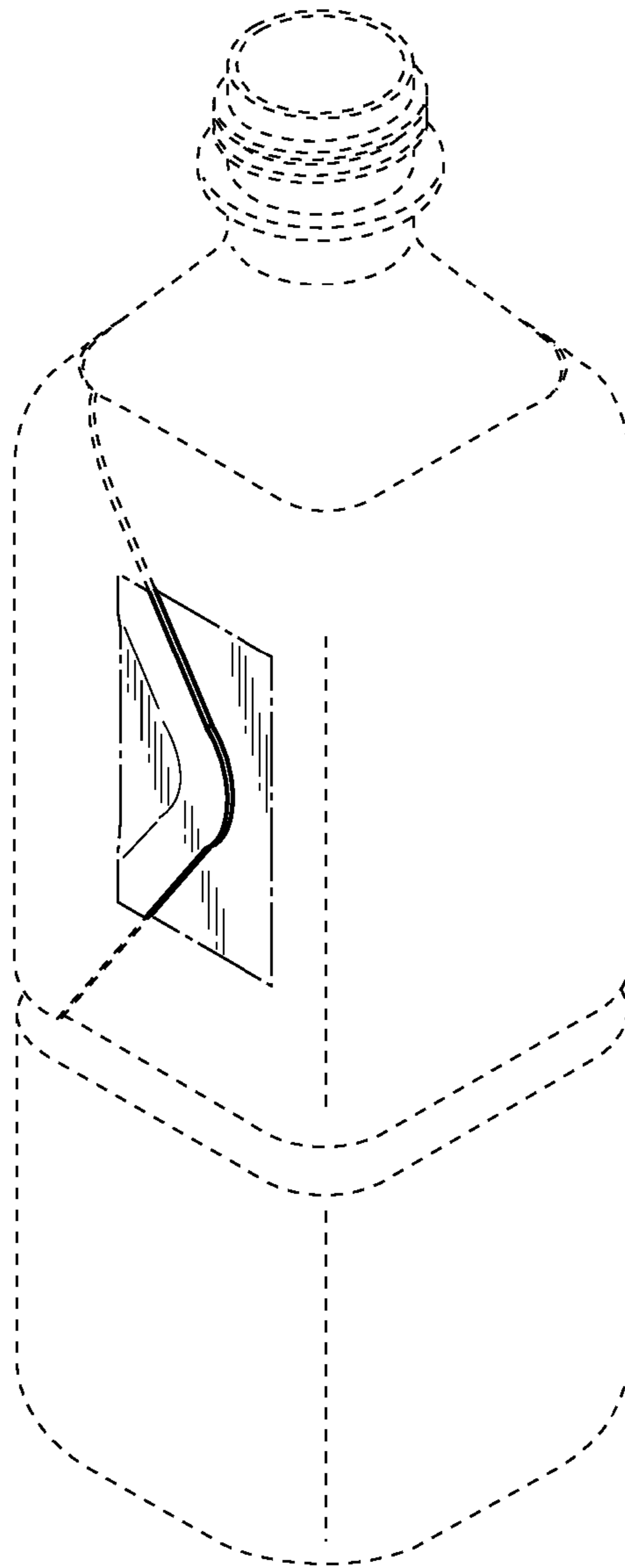


FIG. 2

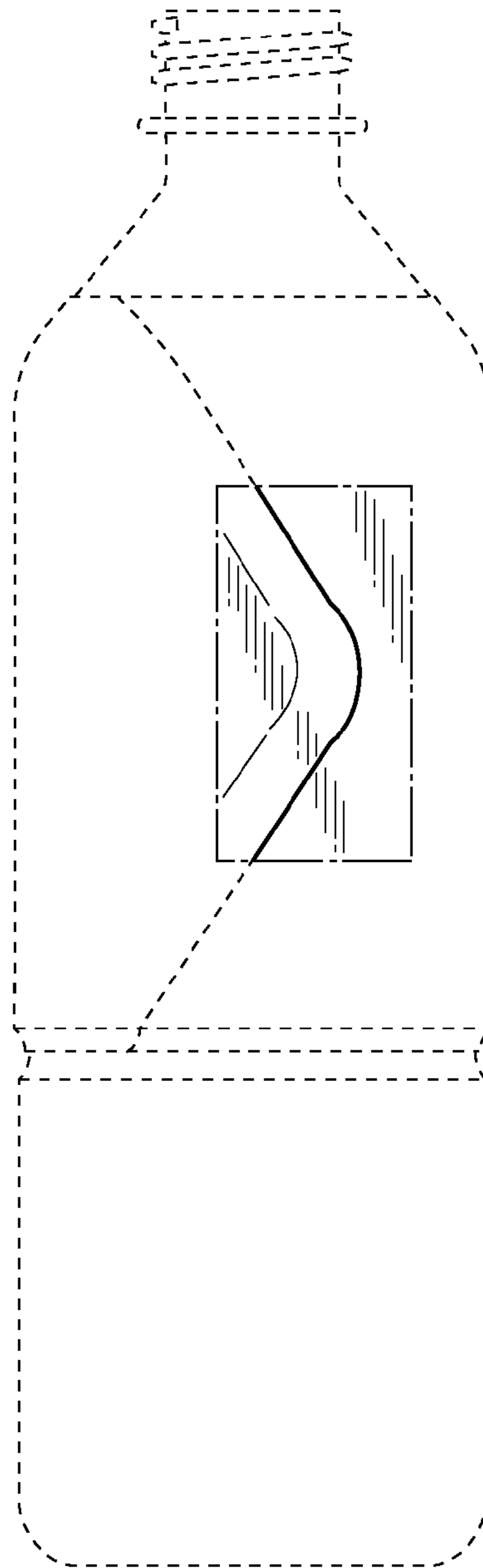


FIG. 3

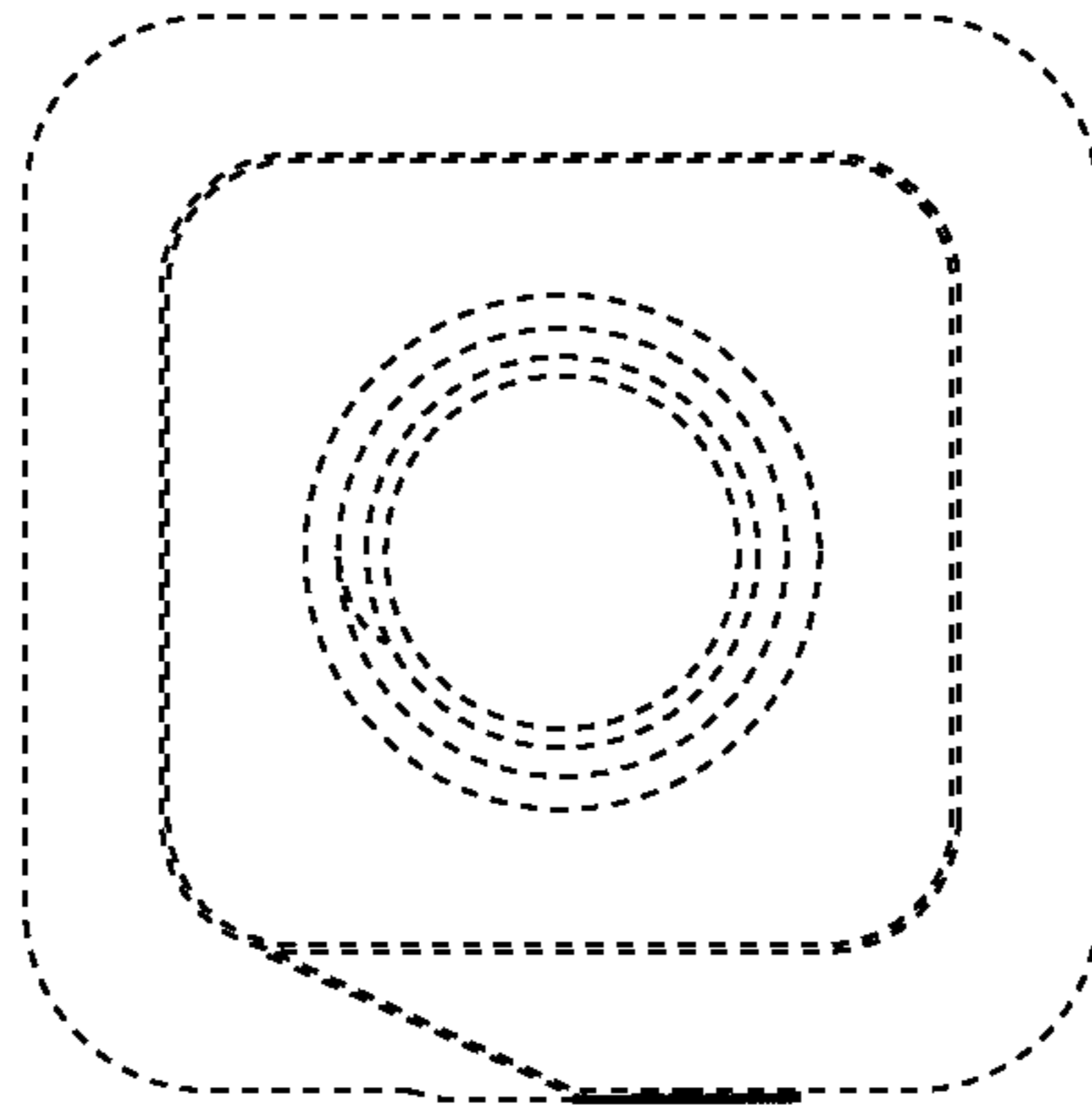


FIG. 4

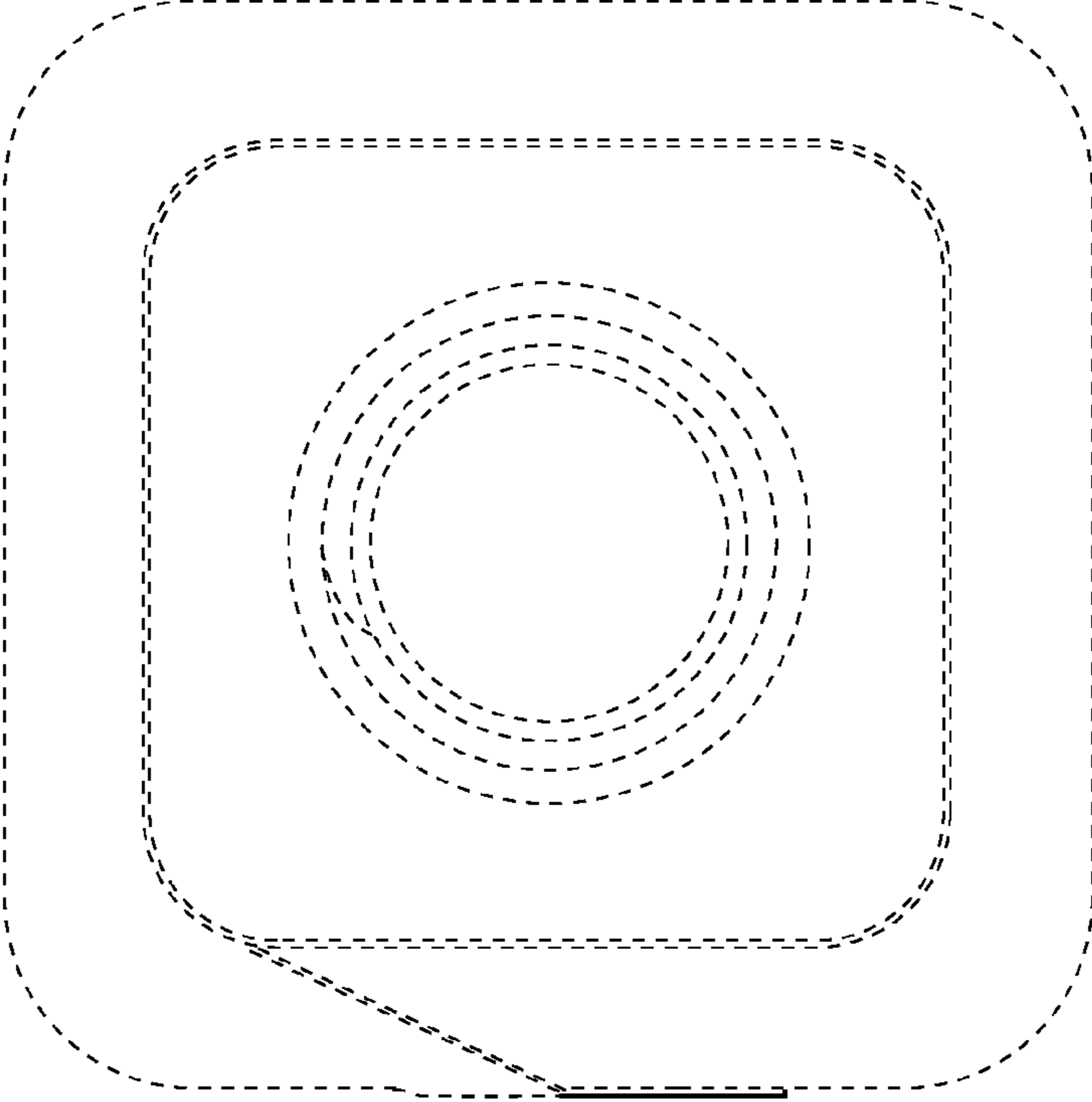


FIG. 5

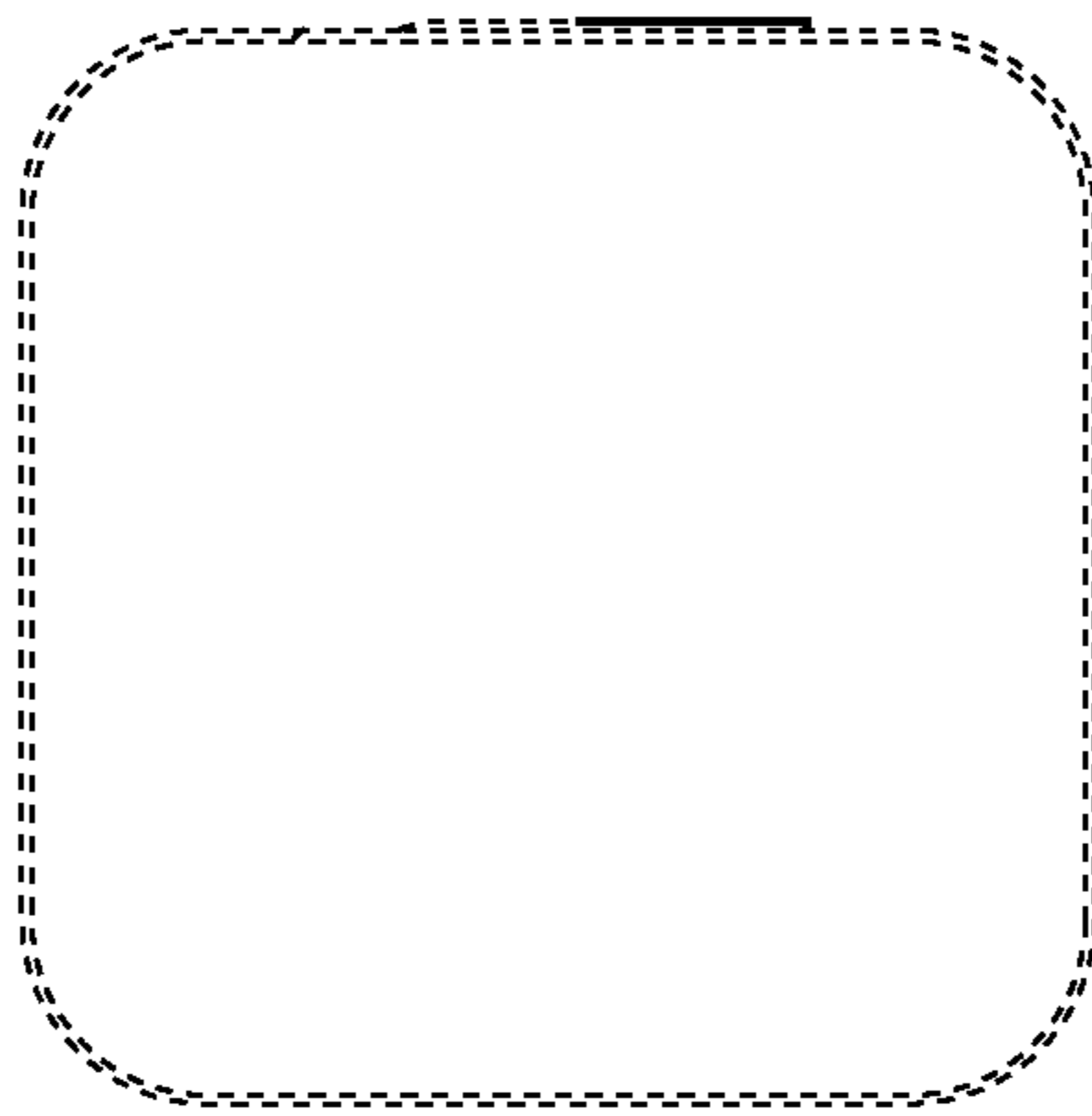


FIG. 6

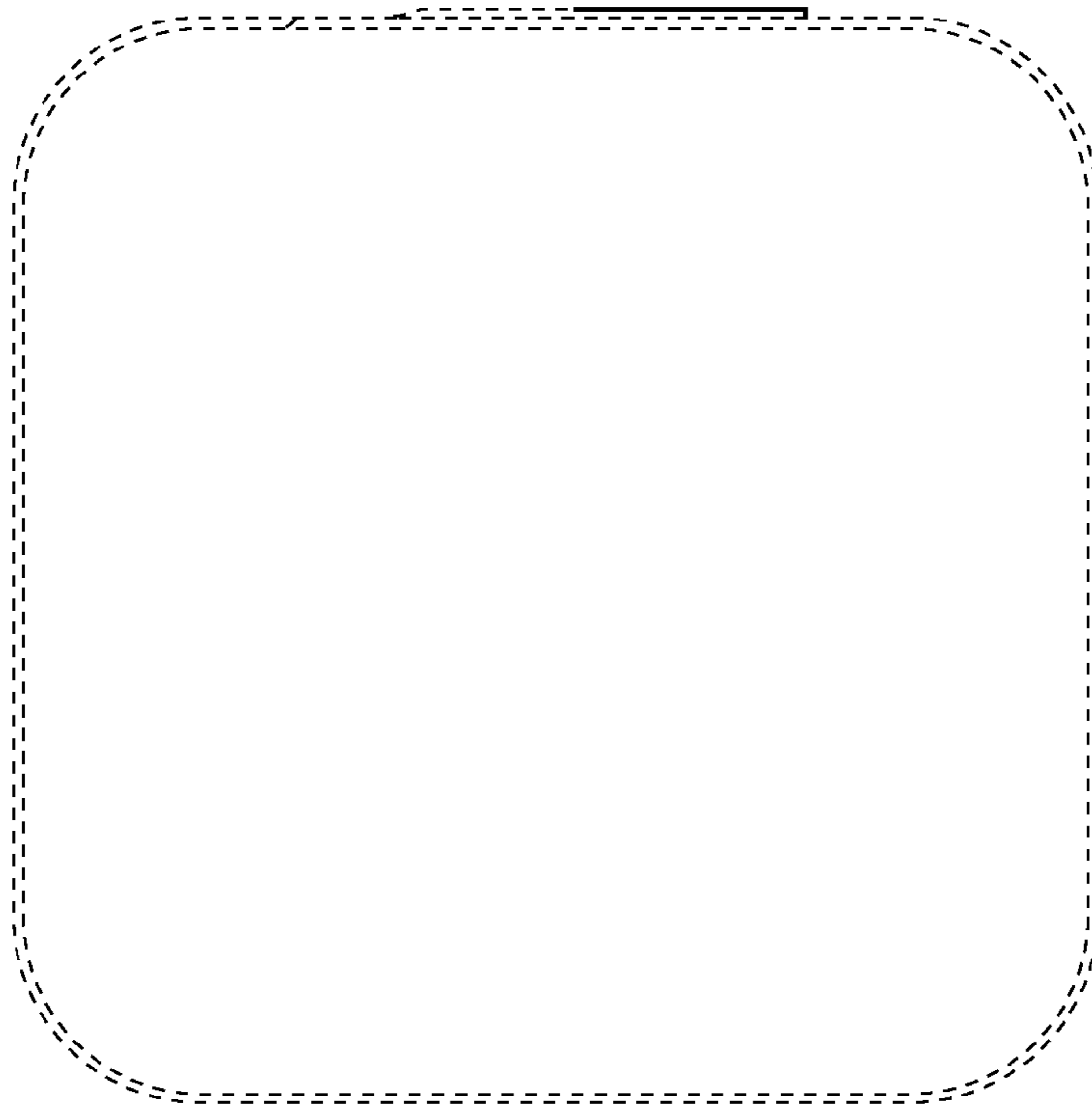


FIG. 7

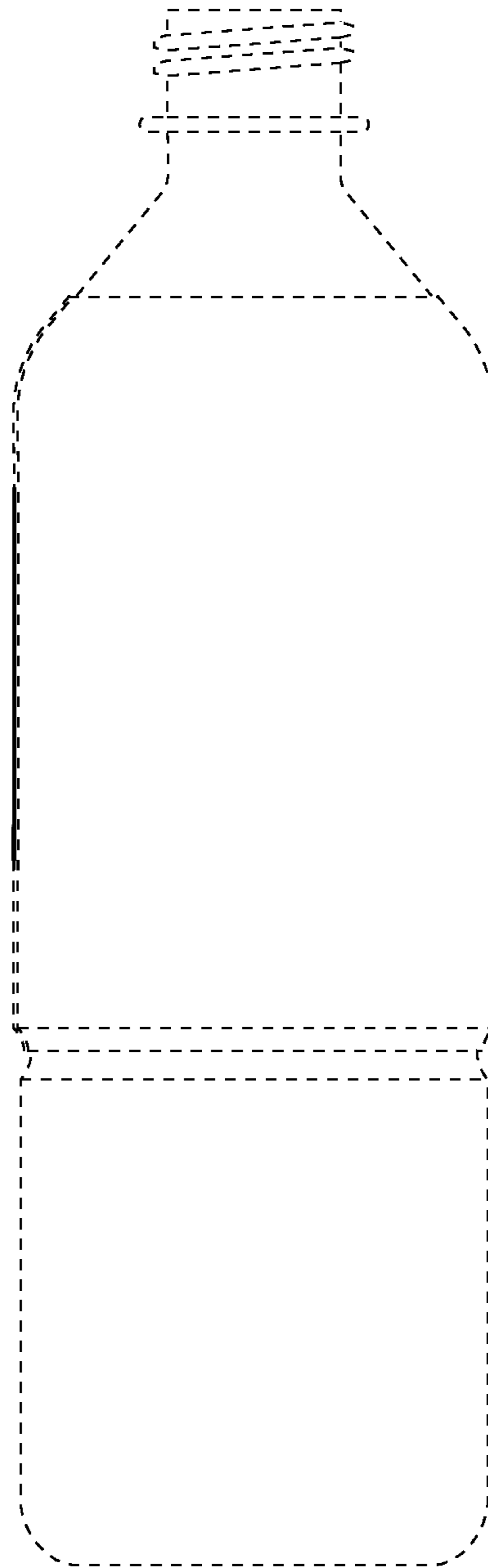


FIG. 8

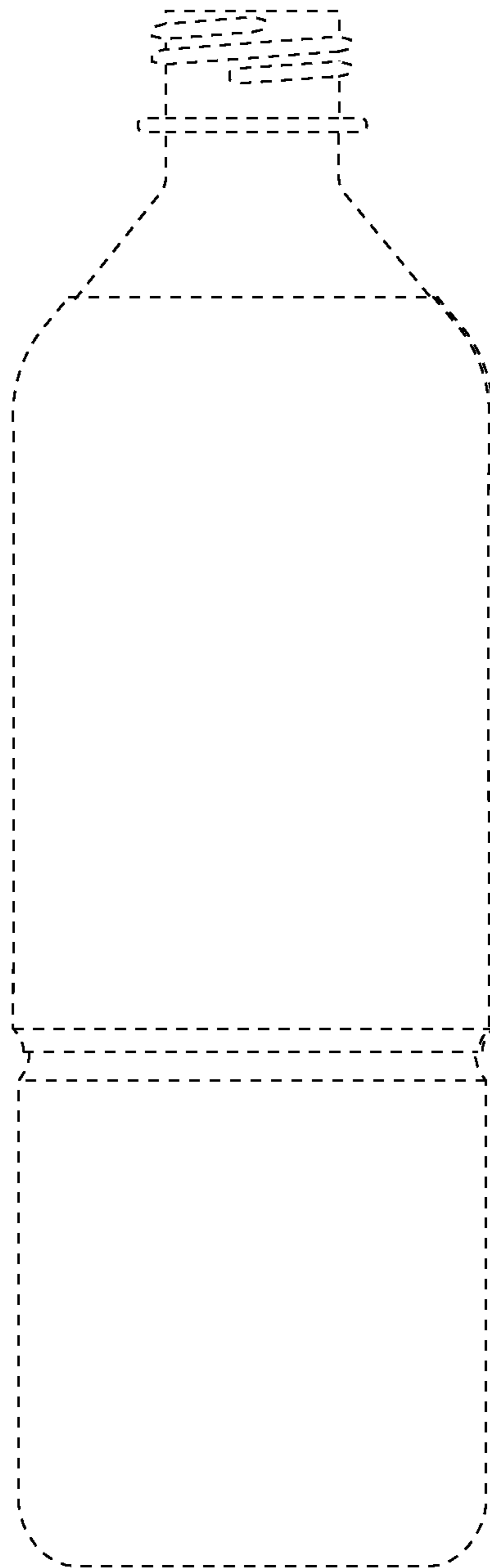


FIG. 9

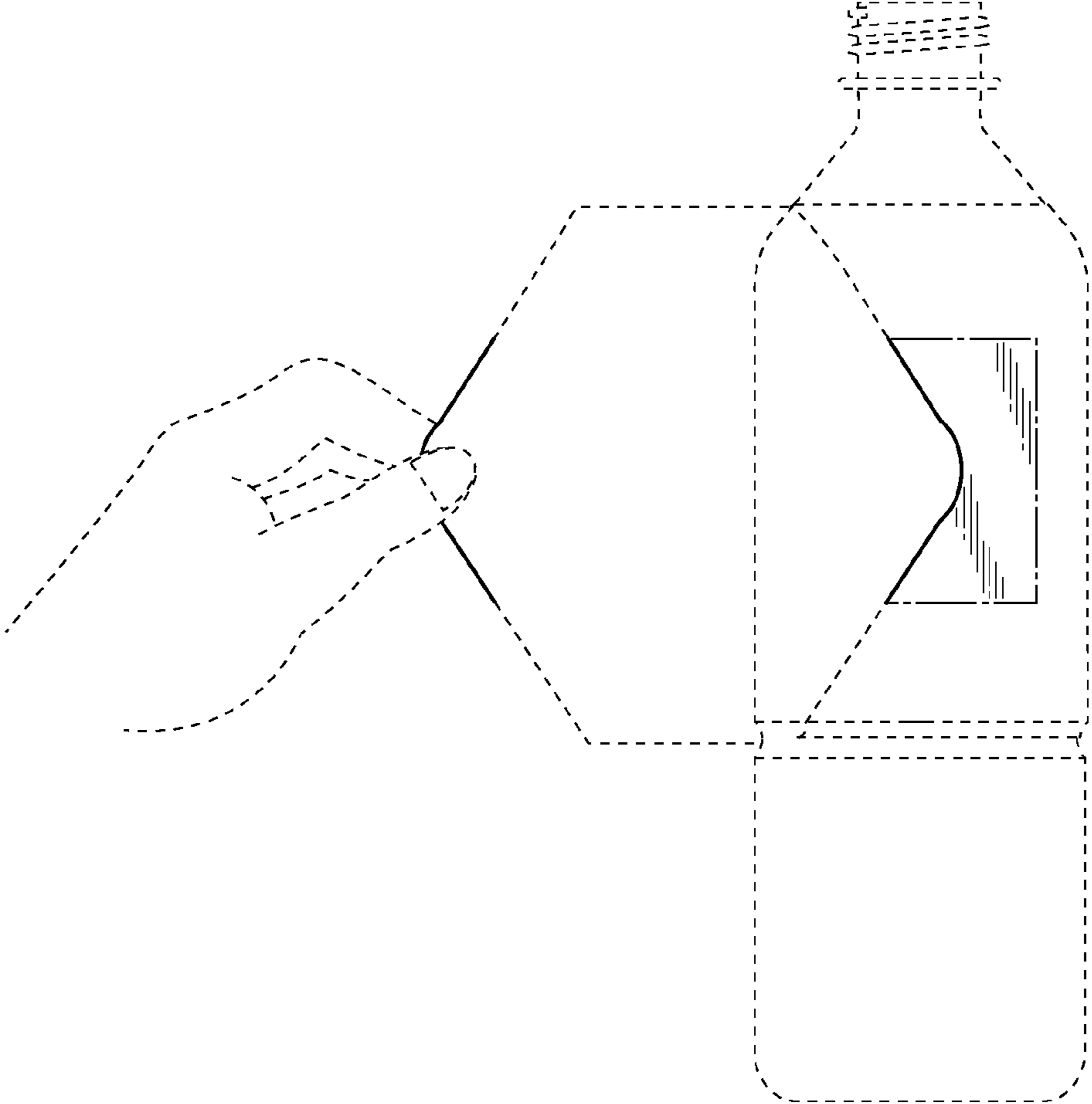


FIG. 10

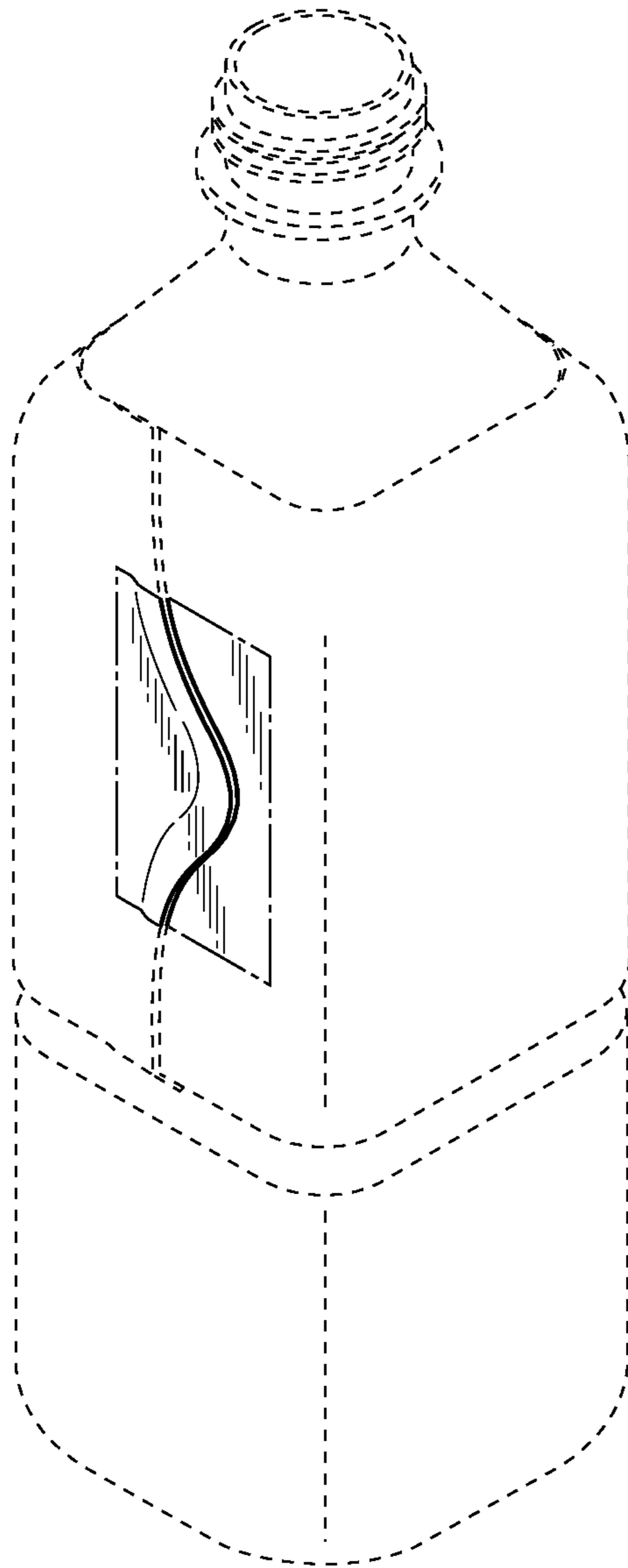


FIG. 11

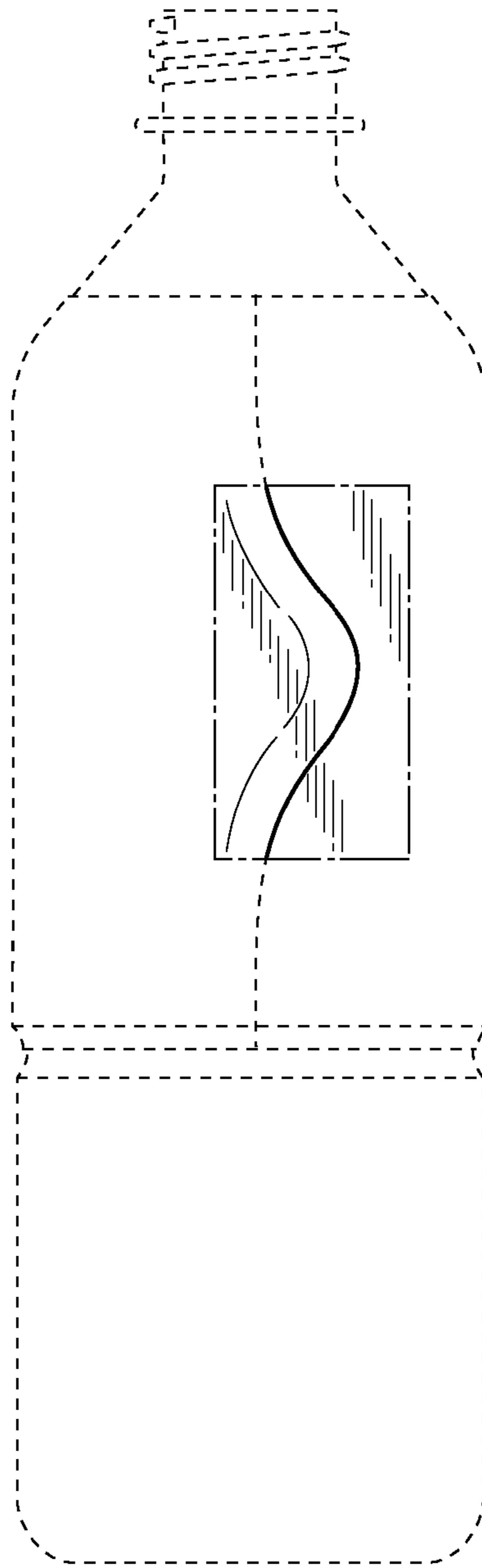


FIG. 12

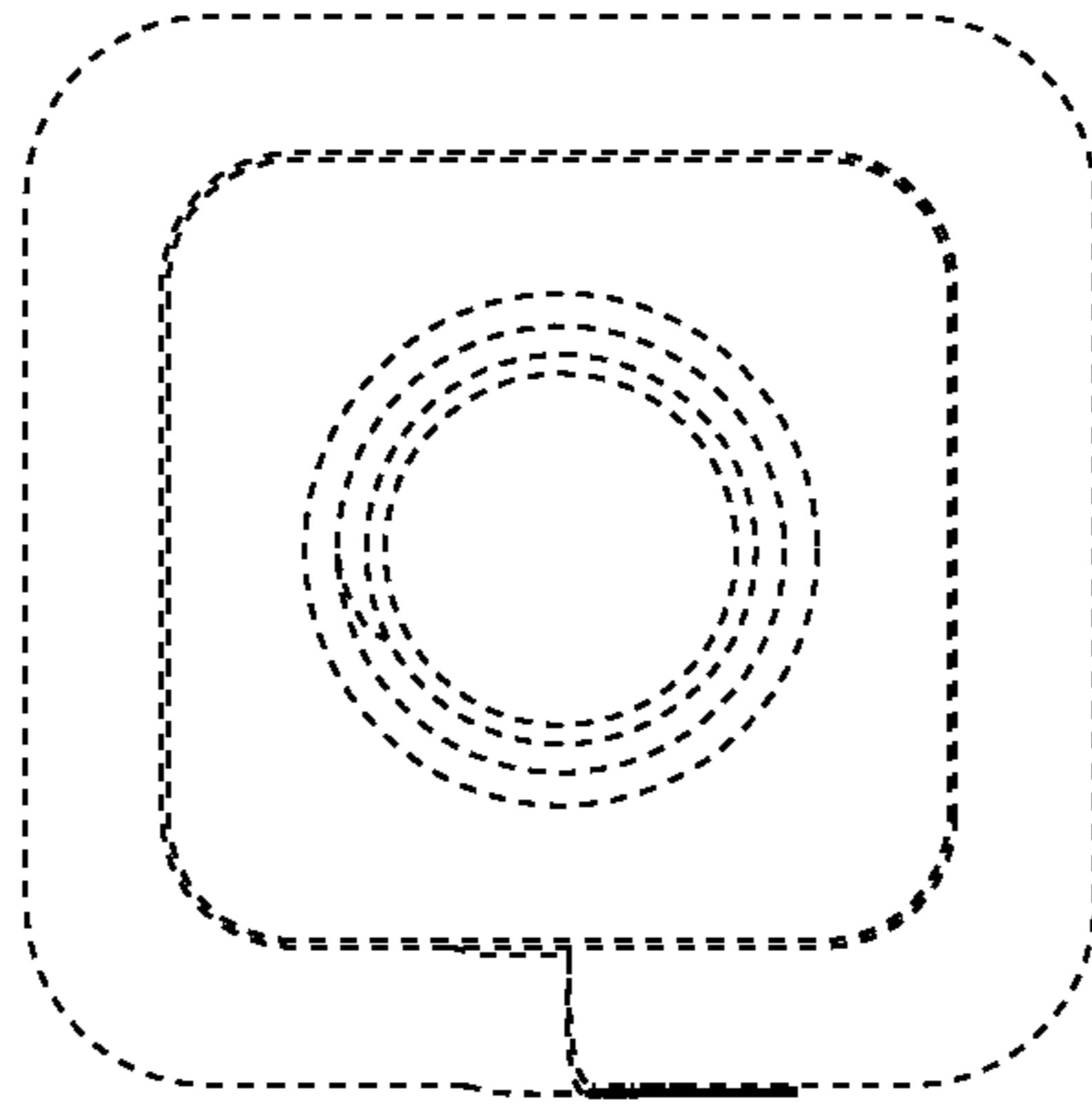


FIG. 13

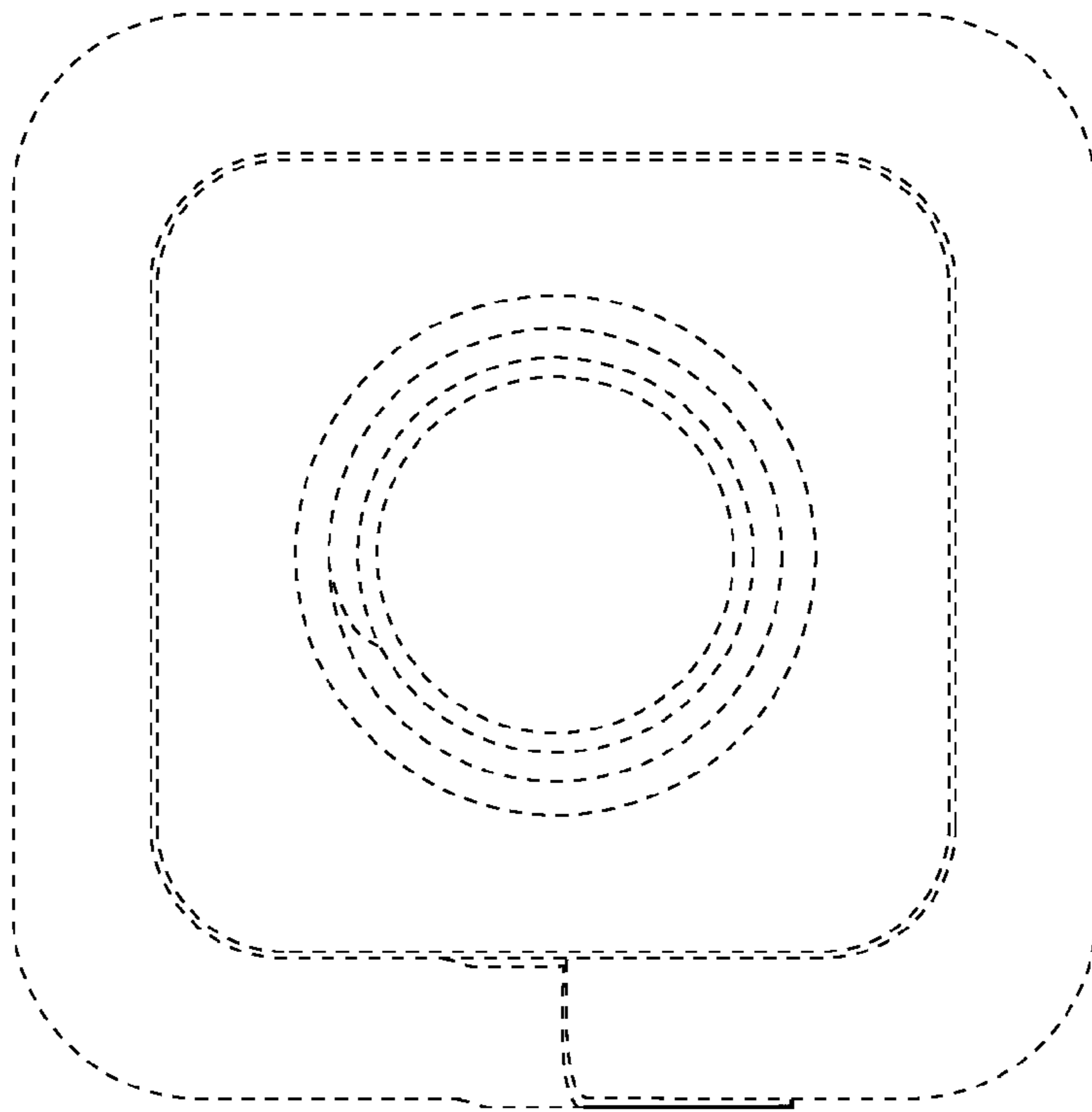


FIG. 14

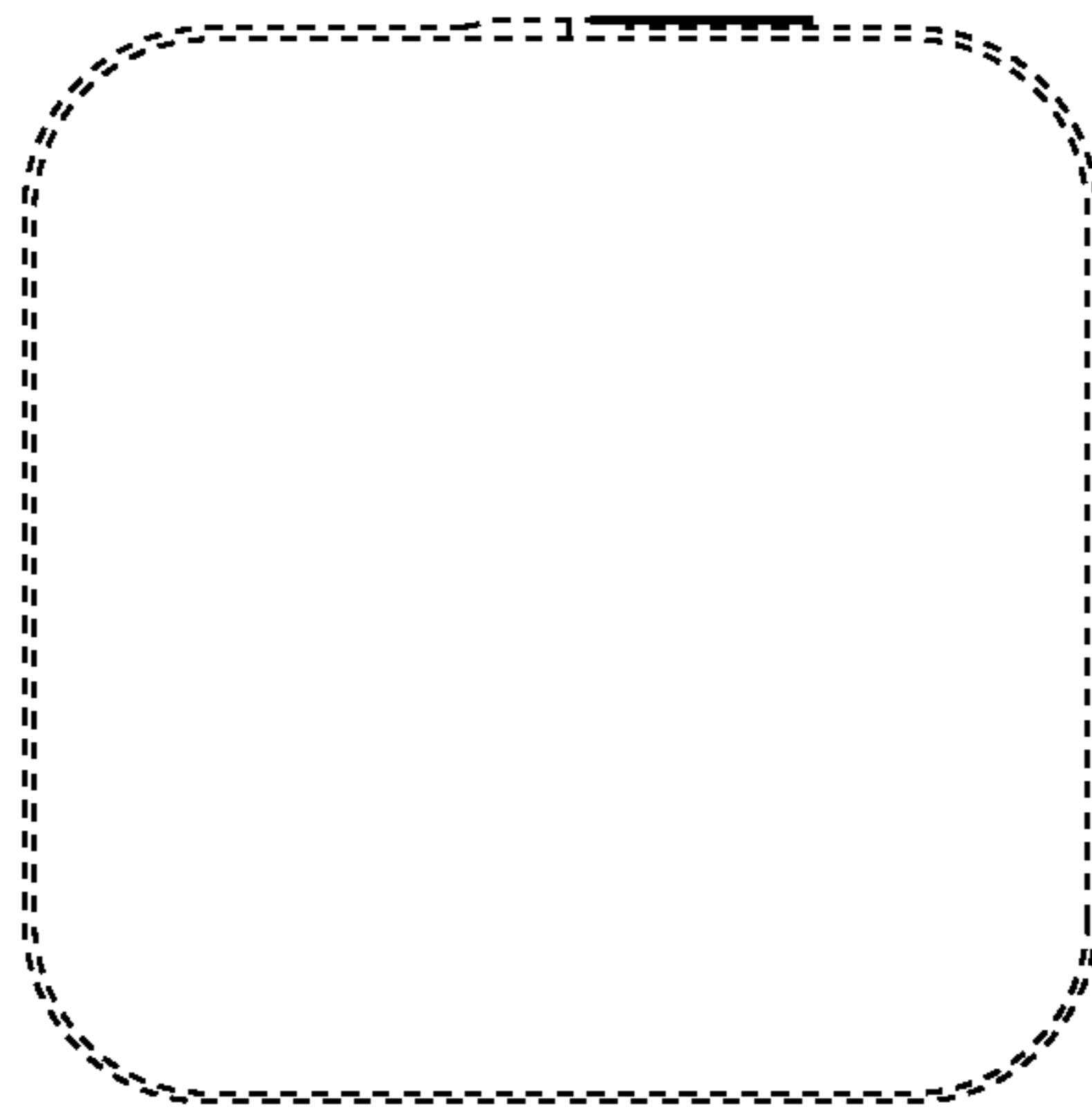


FIG. 15

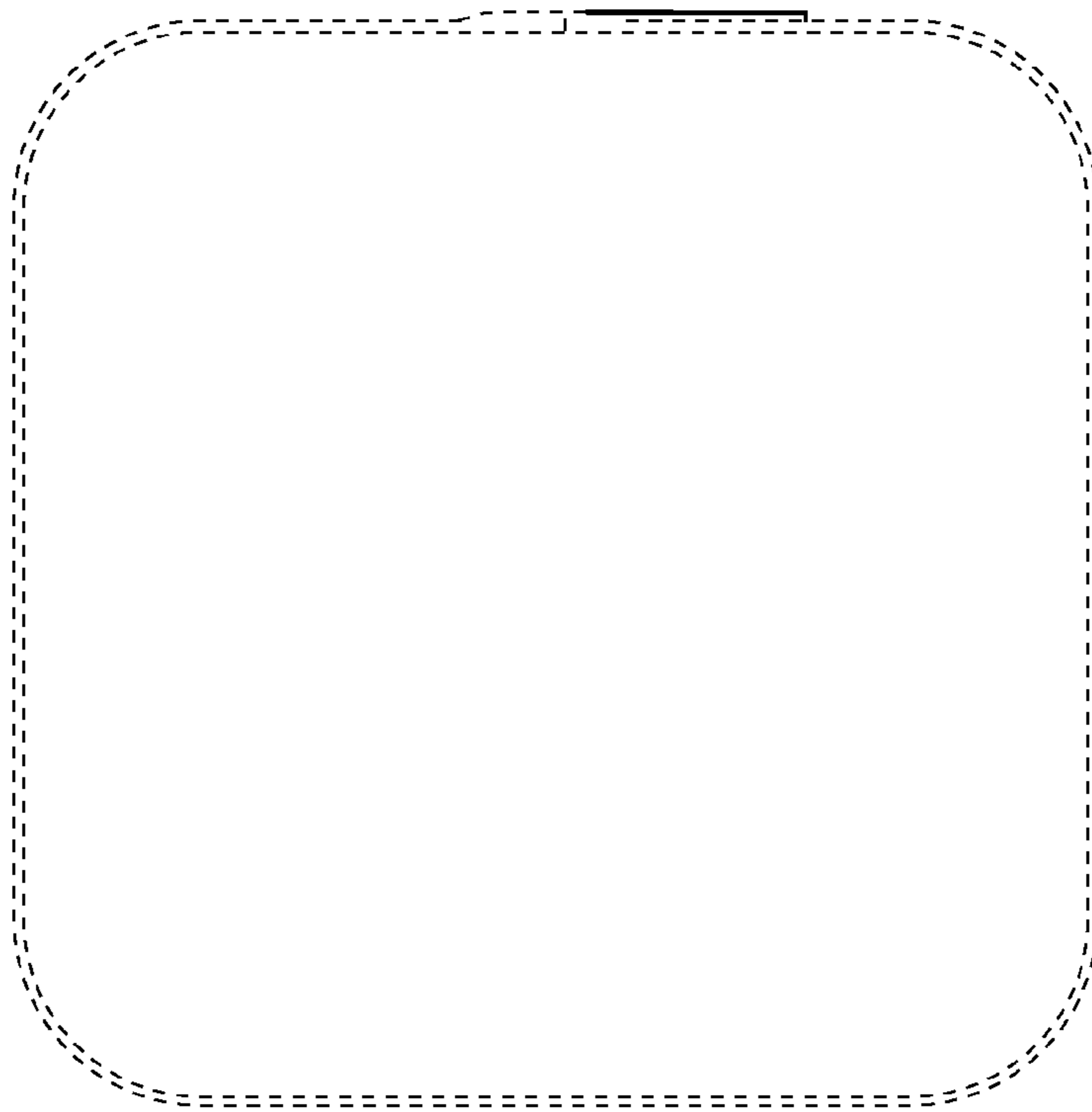


FIG. 16

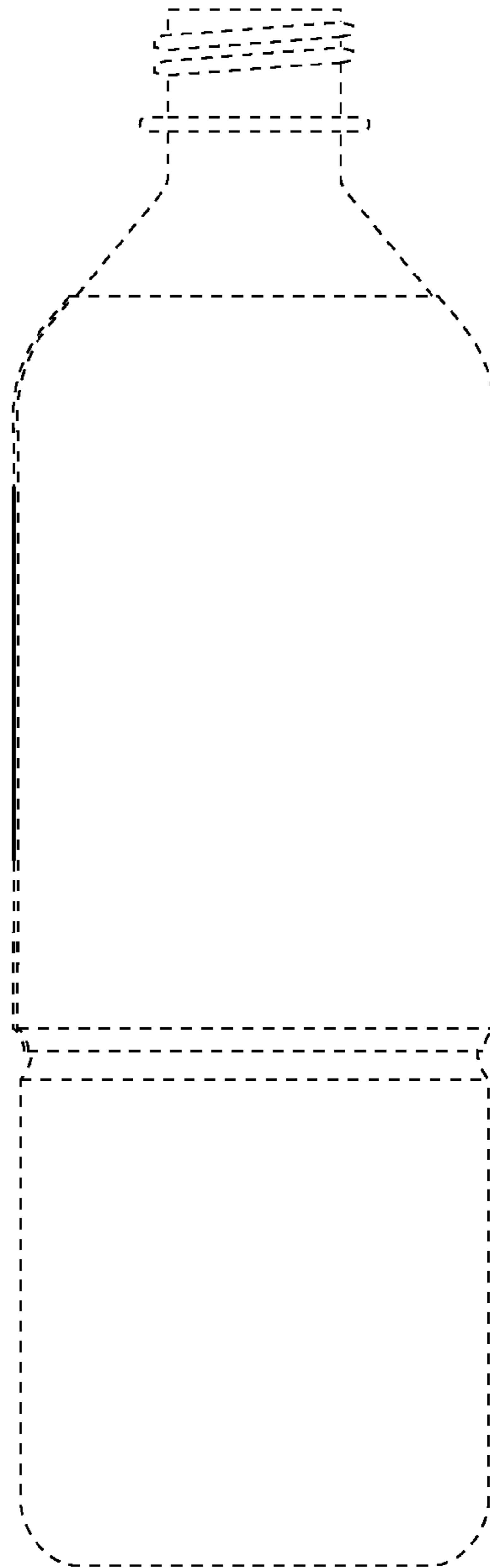


FIG. 17

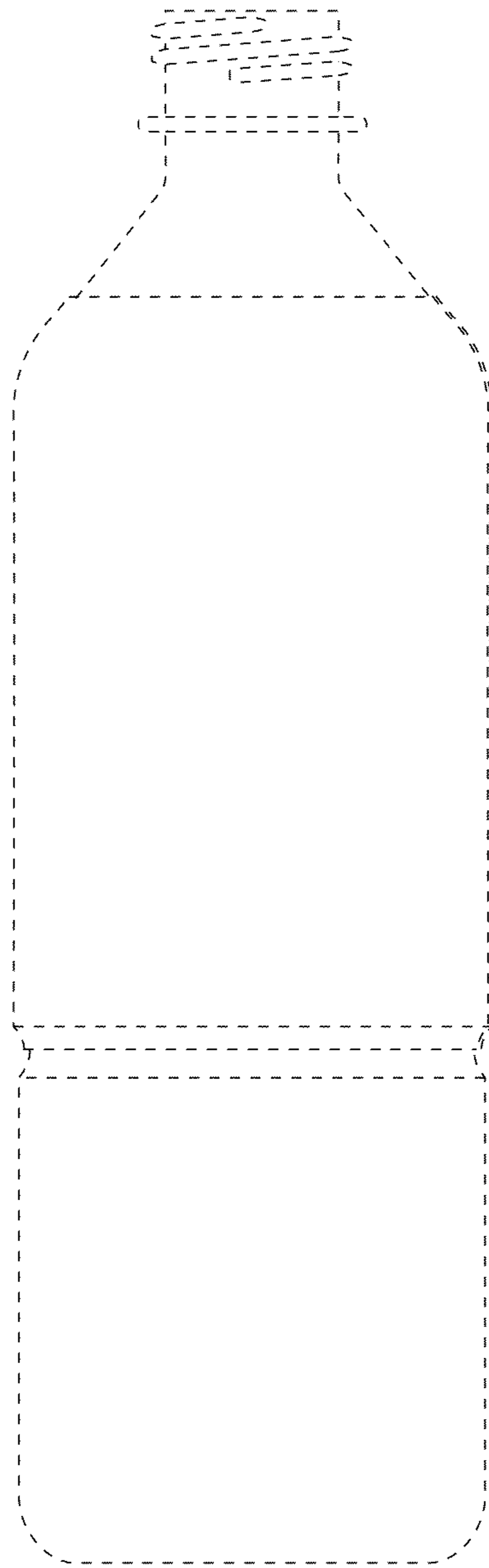


FIG. 18

