



US00D740117S

(12) **United States Design Patent**
Nichols et al.

(10) **Patent No.:** **US D740,117 S**

(45) **Date of Patent:** **** Oct. 6, 2015**

(54) **PACKAGING TRAY**

(71) Applicant: **CAO GROUP, Inc.**, West Jordan, UT (US)

(72) Inventors: **Jack R. Nichols**, American Fork, UT (US); **Densen Cao**, Sandy, UT (US); **Robert K. Larsen**, Riverton, UT (US); **Steven D. Jensen**, West Jordan, UT (US)

(73) Assignee: **CAO Group, Inc.**, West Jordan, UT (US)

(**) Term: **14 Years**

(21) Appl. No.: **29/484,828**

(22) Filed: **Mar. 13, 2014**

(51) **LOC (10) Cl.** **09-07**

(52) **U.S. Cl.**
USPC **D9/456**

(58) **Field of Classification Search**
USPC D9/414-434, 442-445, 456-457, 542, D9/563, 600, 614-624, 655, 657, 658, 661, D9/695, 697-699, 707-708, 711, 721, D9/772-776; D7/601, 602, 538, 540, D7/550.1, 553.6, 553.7, 554.2; D3/202, D3/203.5, 203.6, 205; D27/173, 183, 186
CPC B65D 5/00; B65D 5/001; B65D 5/0015; B65D 5/0227-5/0254; B65D 5/0045; B65D 5/18; B65D 5/2033; B65D 5/38; B65D 5/40; B65D 1/22; B65D 1/225; B65D 1/24; B65D 1/34; B65D 1/38

See application file for complete search history.

(56) **References Cited**

U.S. PATENT DOCUMENTS

D152,555	S	*	2/1949	Millard	D9/418
D363,218	S	*	10/1995	Mann	D9/428
D417,146	S	*	11/1999	St. Pierre et al.	D9/732
D584,141	S	*	1/2009	Smith et al.	D9/425
D614,023	S	*	4/2010	Amos et al.	D9/416
D633,388	S	*	3/2011	Andre et al.	D9/456
D655,154	S	*	3/2012	Amos et al.	D9/425
D655,165	S	*	3/2012	Jensen et al.	D9/456
D660,142	S	*	5/2012	Kirk et al.	D9/416
D708,951	S	*	7/2014	Studt et al.	D9/456
2010/0025278	A1	*	2/2010	Tilton	206/459.5

* cited by examiner

Primary Examiner — Susan Bennett Hattan

Assistant Examiner — Vy Koenig

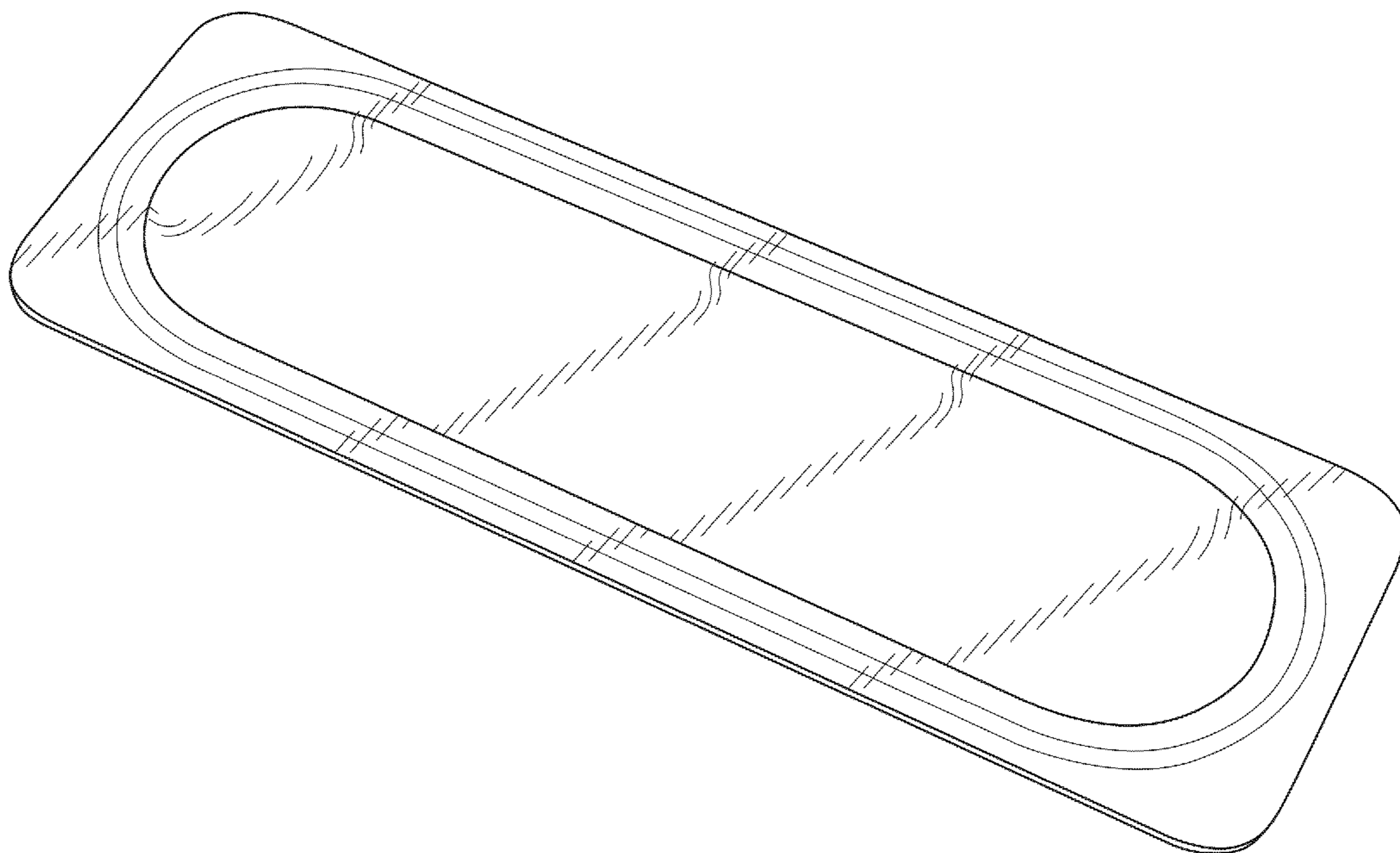
(57) **CLAIM**

The ornamental design for a packaging tray, as shown and described.

DESCRIPTION

FIG. 1 is a perspective view of a packaging tray;
FIG. 2 is a rear elevation view thereof;
FIG. 3 is a left elevation view thereof;
FIG. 4 is a top plan view thereof;
FIG. 5 is a right elevation view thereof;
FIG. 6 is a front elevation view thereof; and,
FIG. 7 is a bottom plan view thereof.

1 Claim, 3 Drawing Sheets



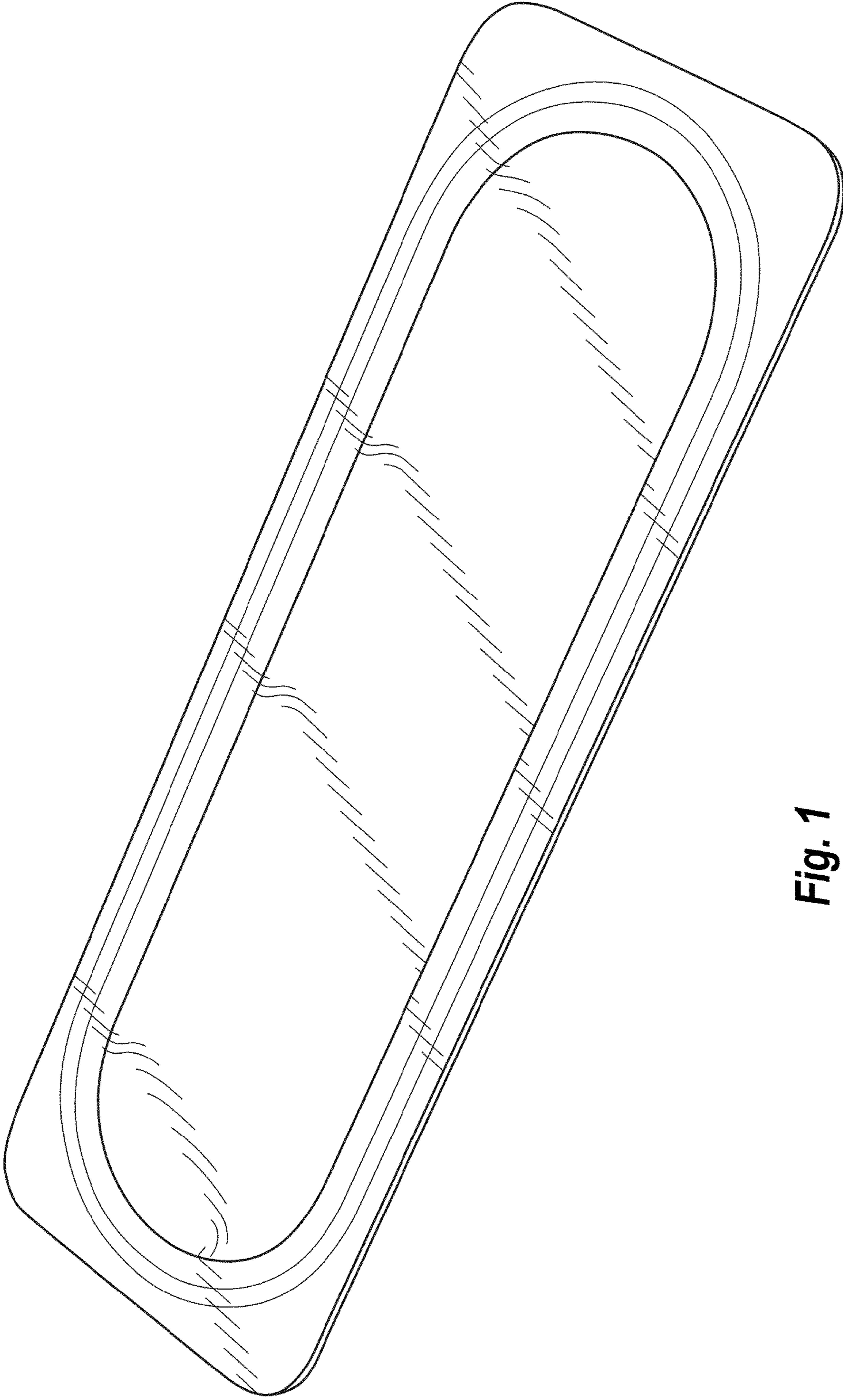


Fig. 1

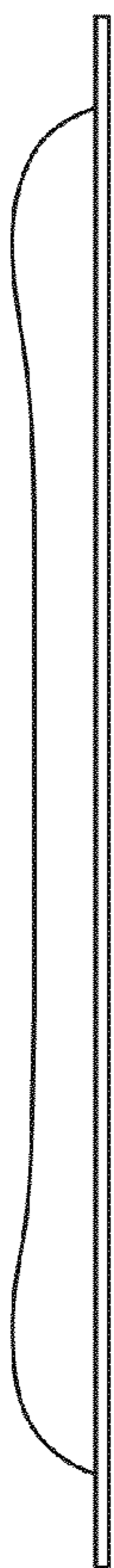


Fig. 2



Fig. 3

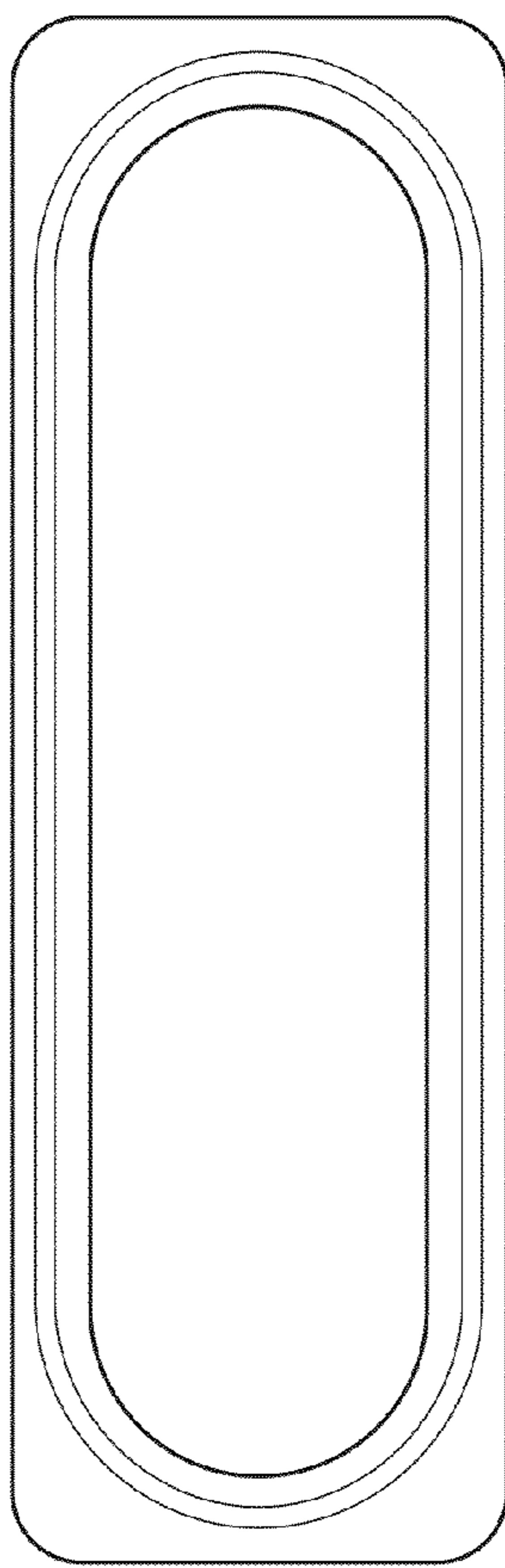


Fig. 4



Fig. 5

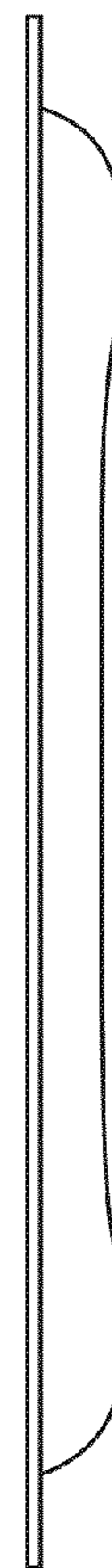


Fig. 6

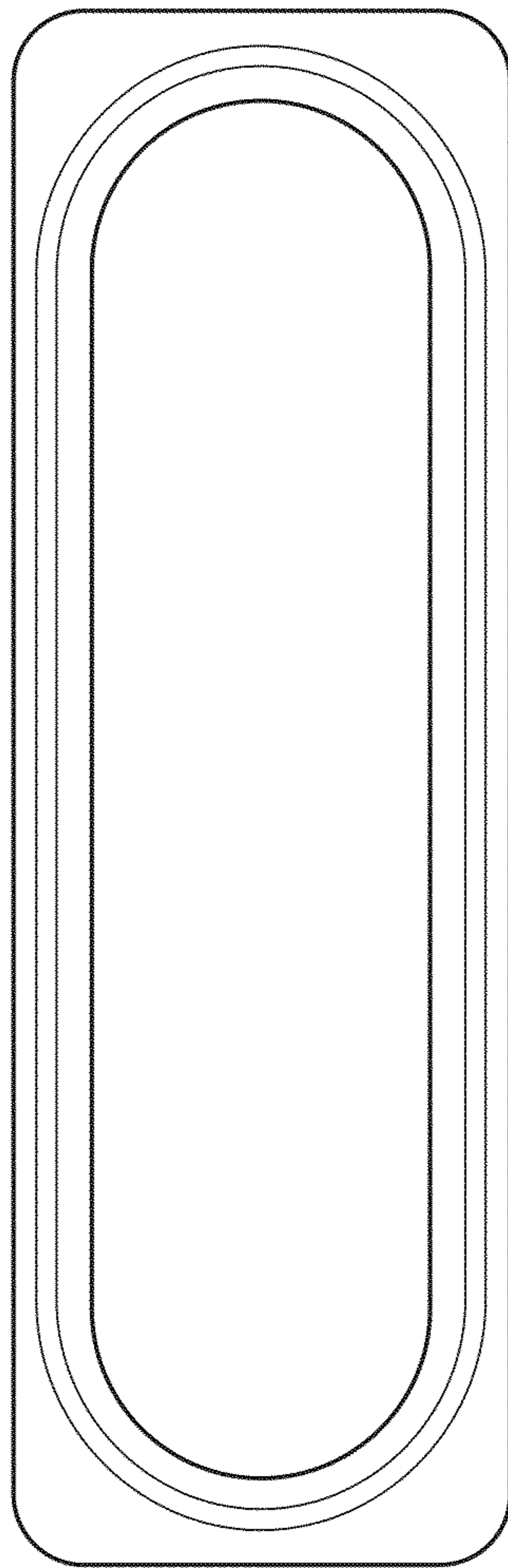


Fig. 7