



US00D740112S

(12) **United States Design Patent**
Lyons et al.

(10) **Patent No.:** **US D740,112 S**
(45) **Date of Patent:** **** Oct. 6, 2015**

(54) **SINK CLIP**

CPC ... A62C 13/78; A47K 10/14; A47G 25/0657;
A47G 1/21; E05C 19/145; B63B 19/24;
F16L 33/12; F16L 33/08; F16L 33/02
See application file for complete search history.

(71) Applicant: **Lyons Industries, Inc.**, Dowagiac, MI (US)

(72) Inventors: **Lance Dale Lyons**, Dowagiac, MI (US); **Dale Allan Kehoe, II**, Elkhart, IN (US); **Richard Alexander Xouris**, Granger, IN (US); **Jerry Ted Pruszynski**, Granger, IN (US); **Bruce Miller**, Bristol, IN (US); **Allen Francis Elliott**, Berrien Springs, MI (US); **Paul William Emerson**, Dowagiac, MI (US); **Lisa Jo Laubach**, Edwardsburg, MI (US); **Fabiola Pliego Perez-Dussia**, Holland, MI (US)

(73) Assignee: **Lyons Industries, Inc.**, Dowagiac, MI (US)

(**) Term: **14 Years**

(21) Appl. No.: **29/517,716**

(22) Filed: **Feb. 16, 2015**

Related U.S. Application Data

(62) Division of application No. 29/467,361, filed on Sep. 18, 2013, now Pat. No. Des. 722,490.

(51) **LOC (10) Cl.** **08-08**

(52) **U.S. Cl.**
USPC **D8/395**

(58) **Field of Classification Search**
USPC D8/354, 356, 371, 394-396; D19/65, D19/86; D24/128; 248/74.2, 215, 227.1, 49, 248/300, 301, 316.7, 51, 489; 24/570, 3.12; D32/61; D11/78.1; D3/215

(56) **References Cited**

U.S. PATENT DOCUMENTS

D54,667	S	*	3/1920	Moore et al.	D30/151
3,021,581	A	*	2/1962	Cook et al.	24/457
3,684,223	A	*	8/1972	Logsdon	248/74.3
D269,155	S	*	5/1983	Rose	D8/356
D295,521	S	*	5/1988	Mockett	D13/155
D305,297	S	*	1/1990	O'Neill	D9/434
D328,187	S	*	7/1992	Saurette	D9/434
D340,857	S	*	11/1993	Light	D8/395
D376,535	S	*	12/1996	Gary et al.	D8/395
D381,484	S	*	7/1997	Clendenning	D32/54
5,953,873	A	*	9/1999	Livingston et al.	52/222
6,273,255	B1	*	8/2001	Rosler	206/378
6,450,338	B1	*	9/2002	Chen	206/378
D521,367	S	*	5/2006	Blanton	D8/395

(Continued)

Primary Examiner — John Windmuller

(74) *Attorney, Agent, or Firm* — Faegre Baker Daniels LLP

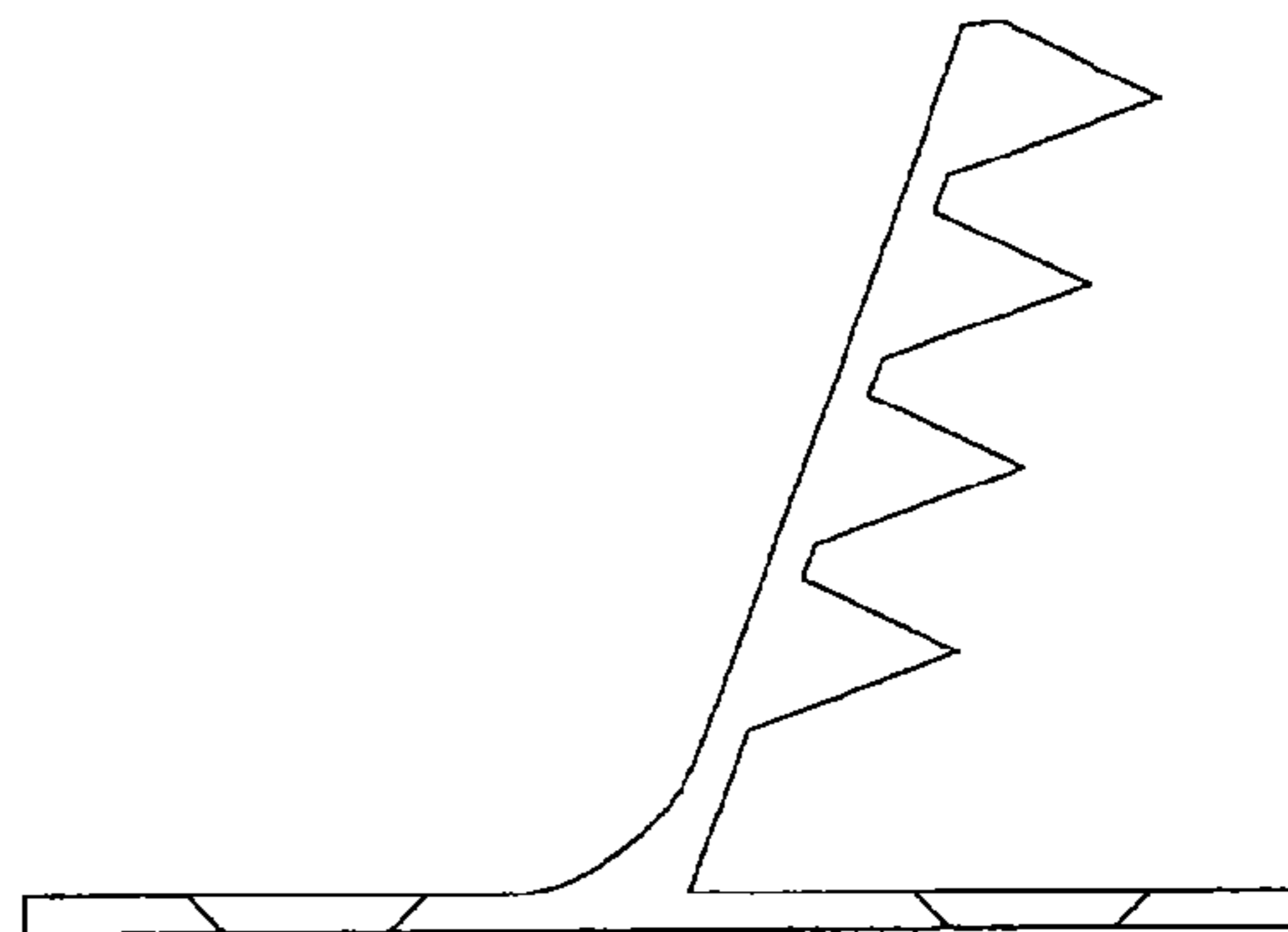
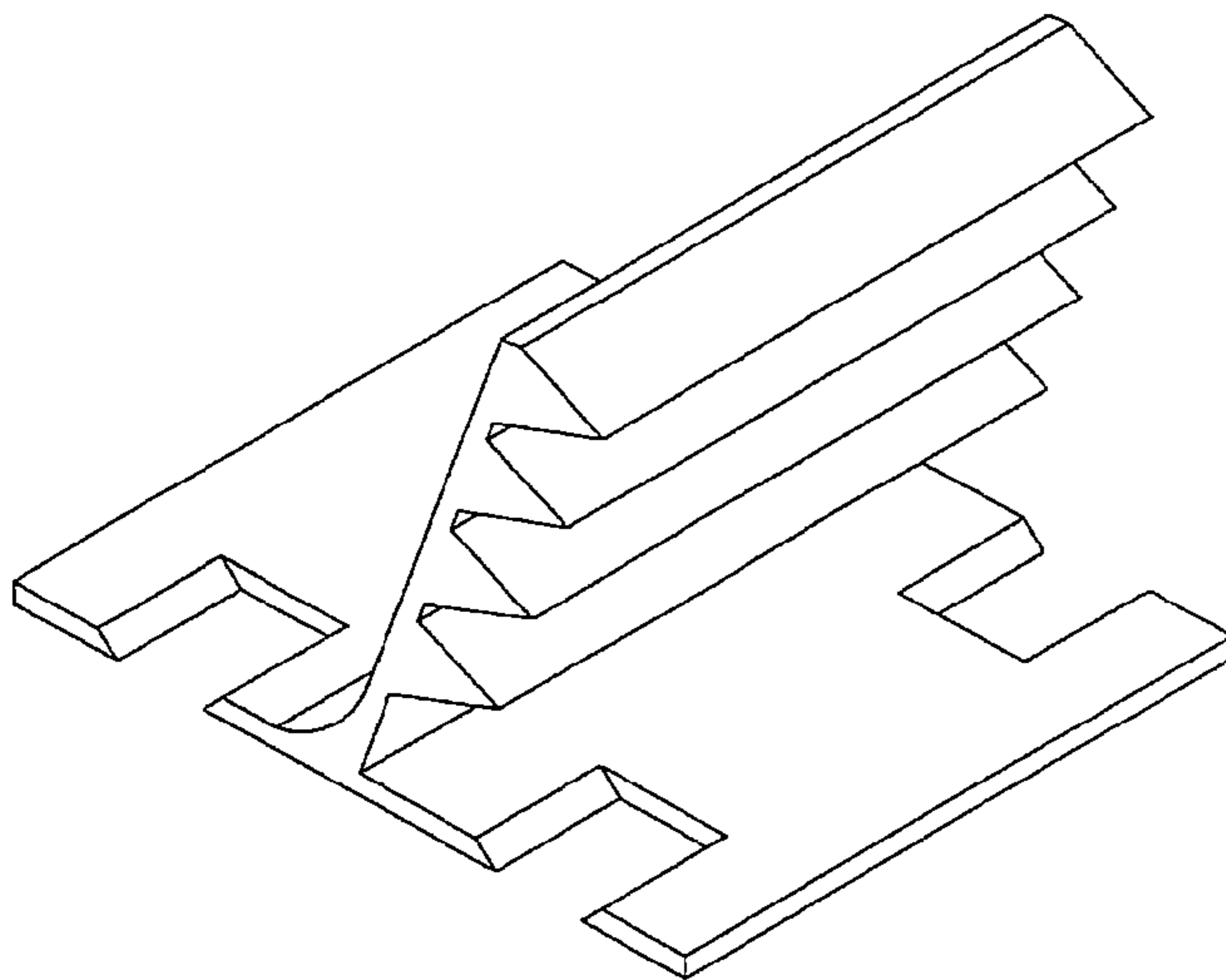
(57) **CLAIM**

We claim the ornamental design for a sink clip, as shown.

DESCRIPTION

FIG. 1 is a perspective view of a sink clip showing our new design;
FIG. 2 is a side view of the sink clip of FIG. 1;
FIG. 3 is an opposite side view of the sink clip of FIG. 1;
FIG. 4 is a top plan view of the sink clip of FIG. 1;
FIG. 5 is a bottom plan view of the sink clip of FIG. 1;
FIG. 6 is a rear view of the sink clip of FIG. 1; and,
FIG. 7 is a front view of the sink clip of FIG. 1.

1 Claim, 4 Drawing Sheets



US D740,112 S

Page 2

(56)

References Cited

U.S. PATENT DOCUMENTS

D537,329 S * 2/2007 Blanton D8/395
D584,943 S * 1/2009 Kerr D8/394
D600,544 S * 9/2009 Klaus et al. D8/395

D628,468 S * 12/2010 Camp et al. D8/395
D669,773 S * 10/2012 Colasse D8/395
D698,217 S * 1/2014 Waddell D8/72

* cited by examiner

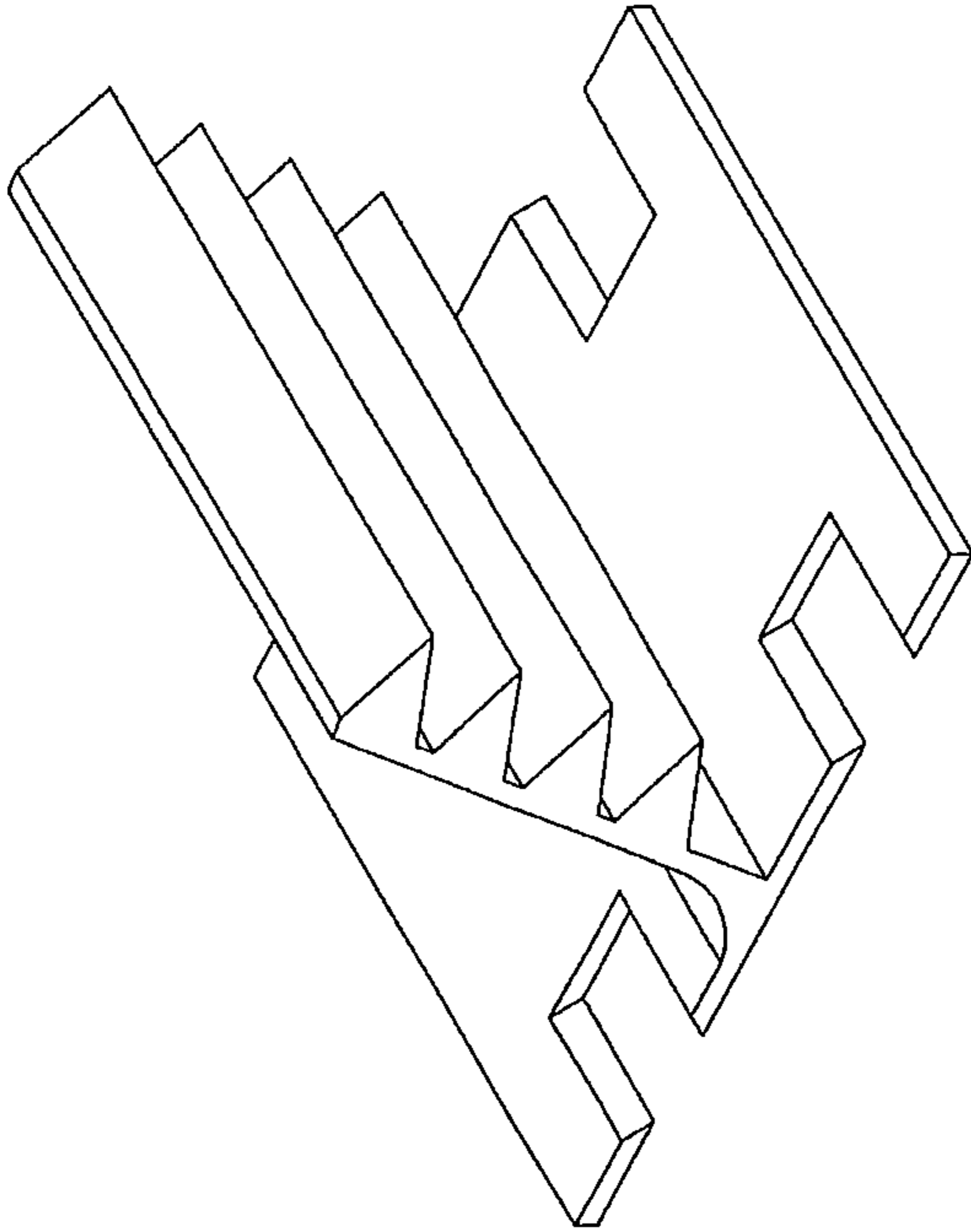


FIG. 1

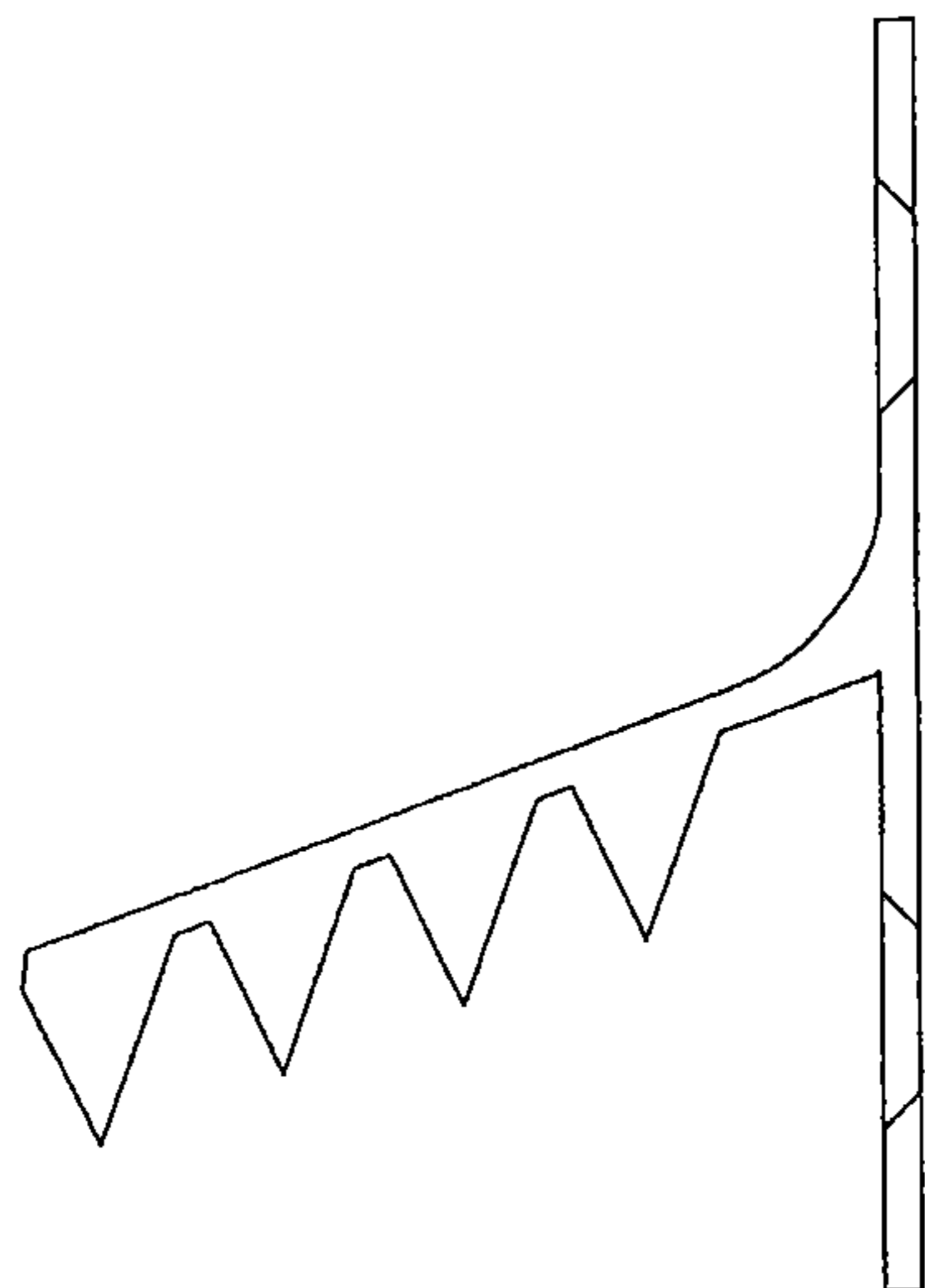


FIG. 3

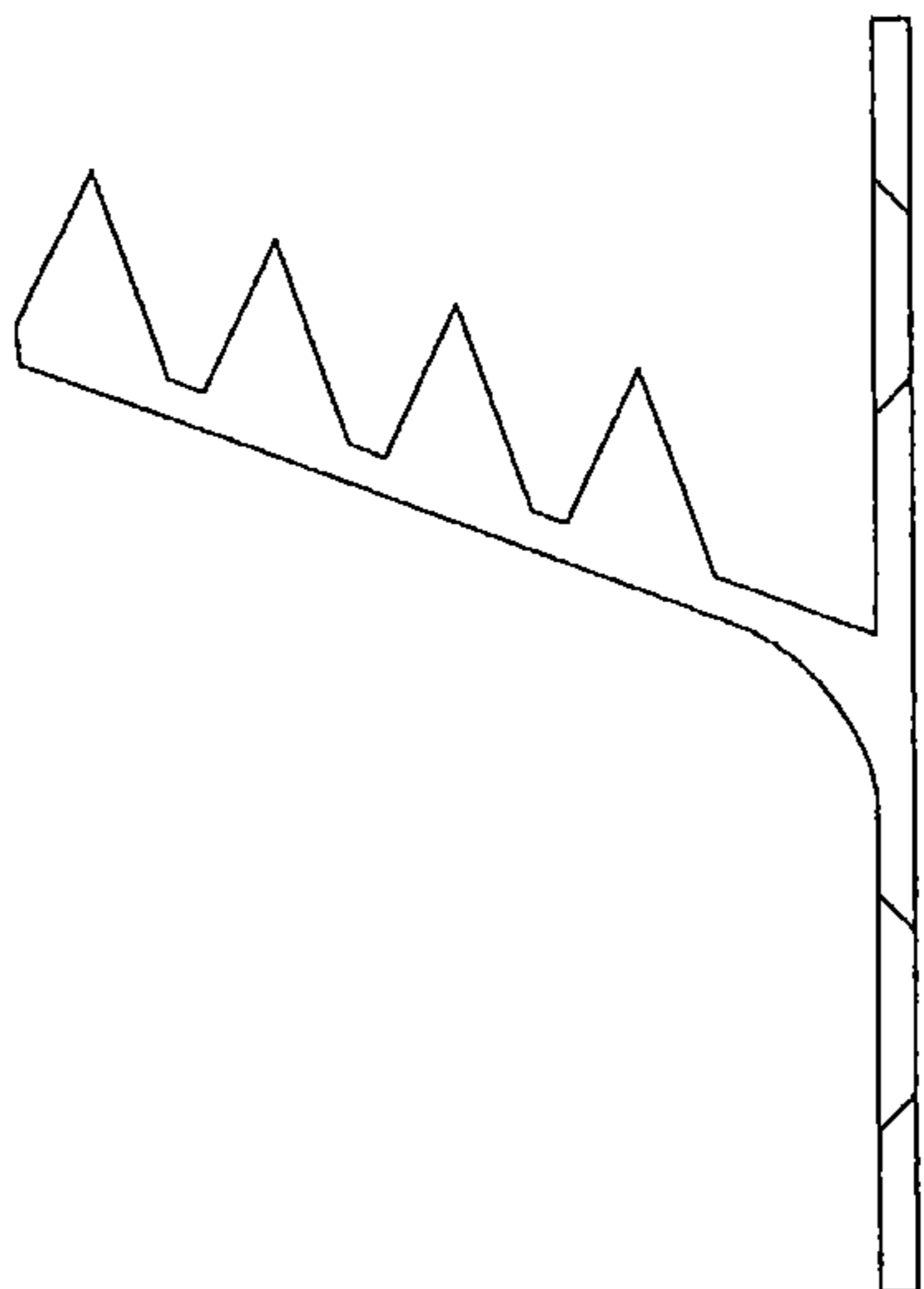


FIG. 2

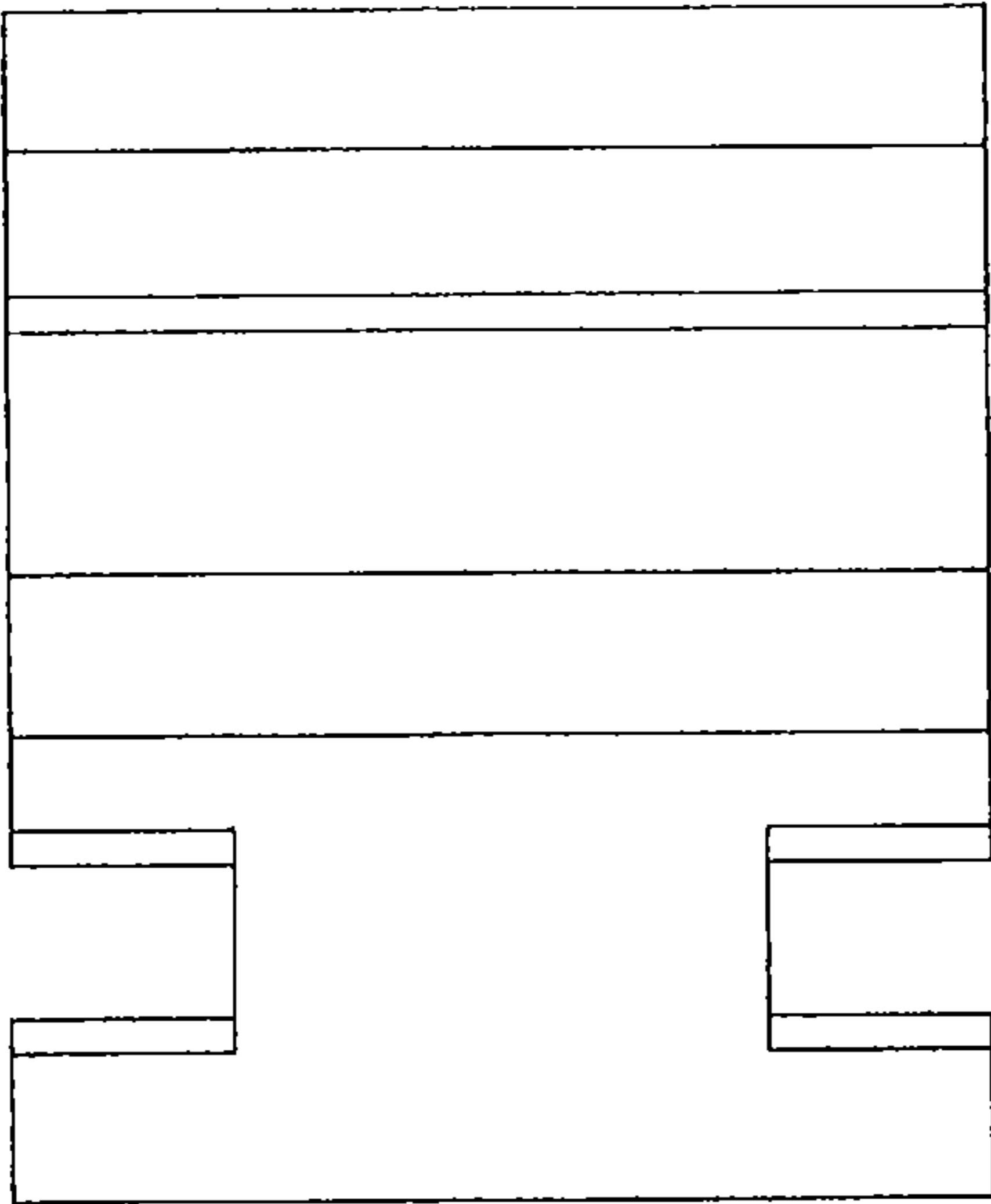
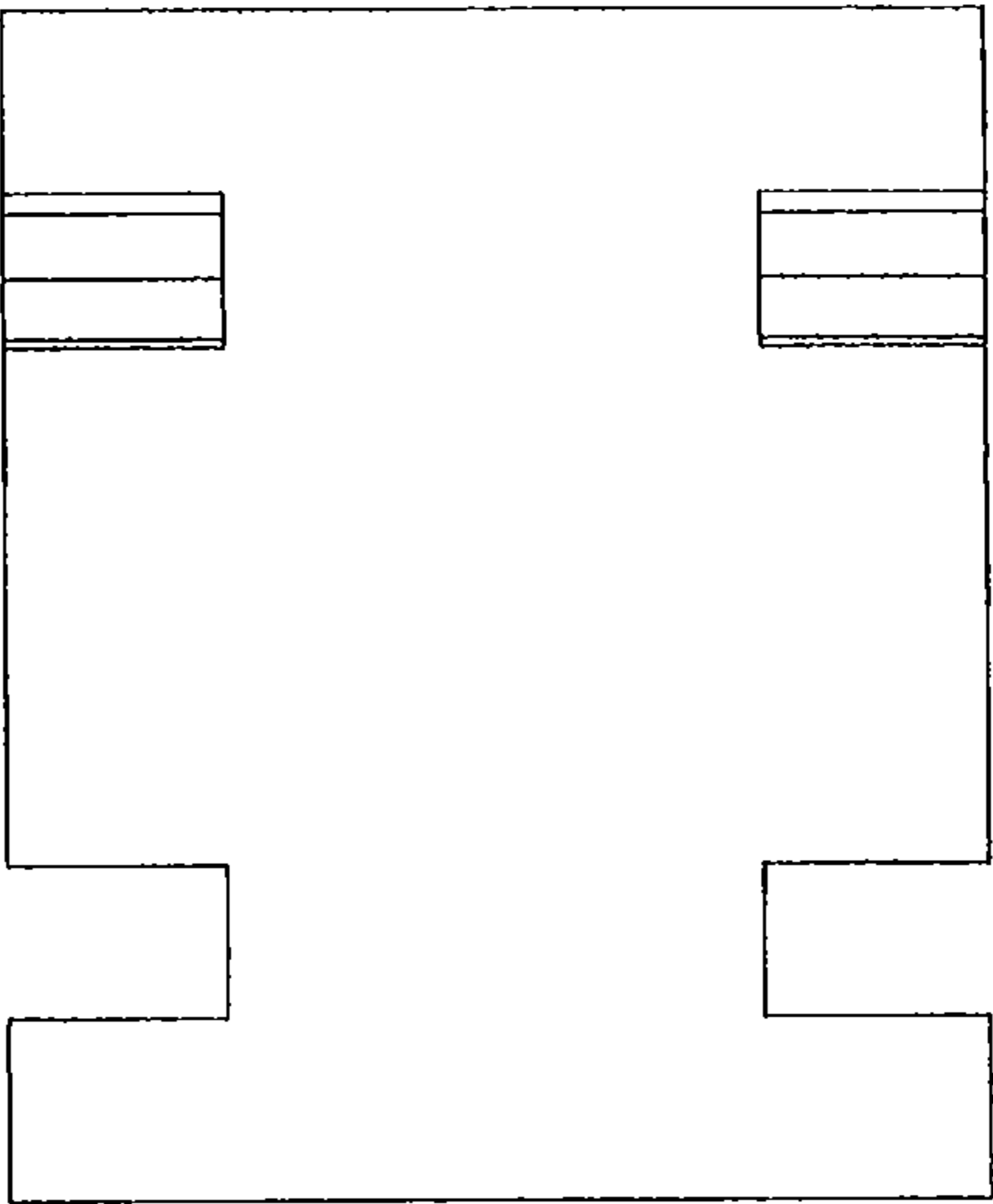


FIG. 4

FIG. 5



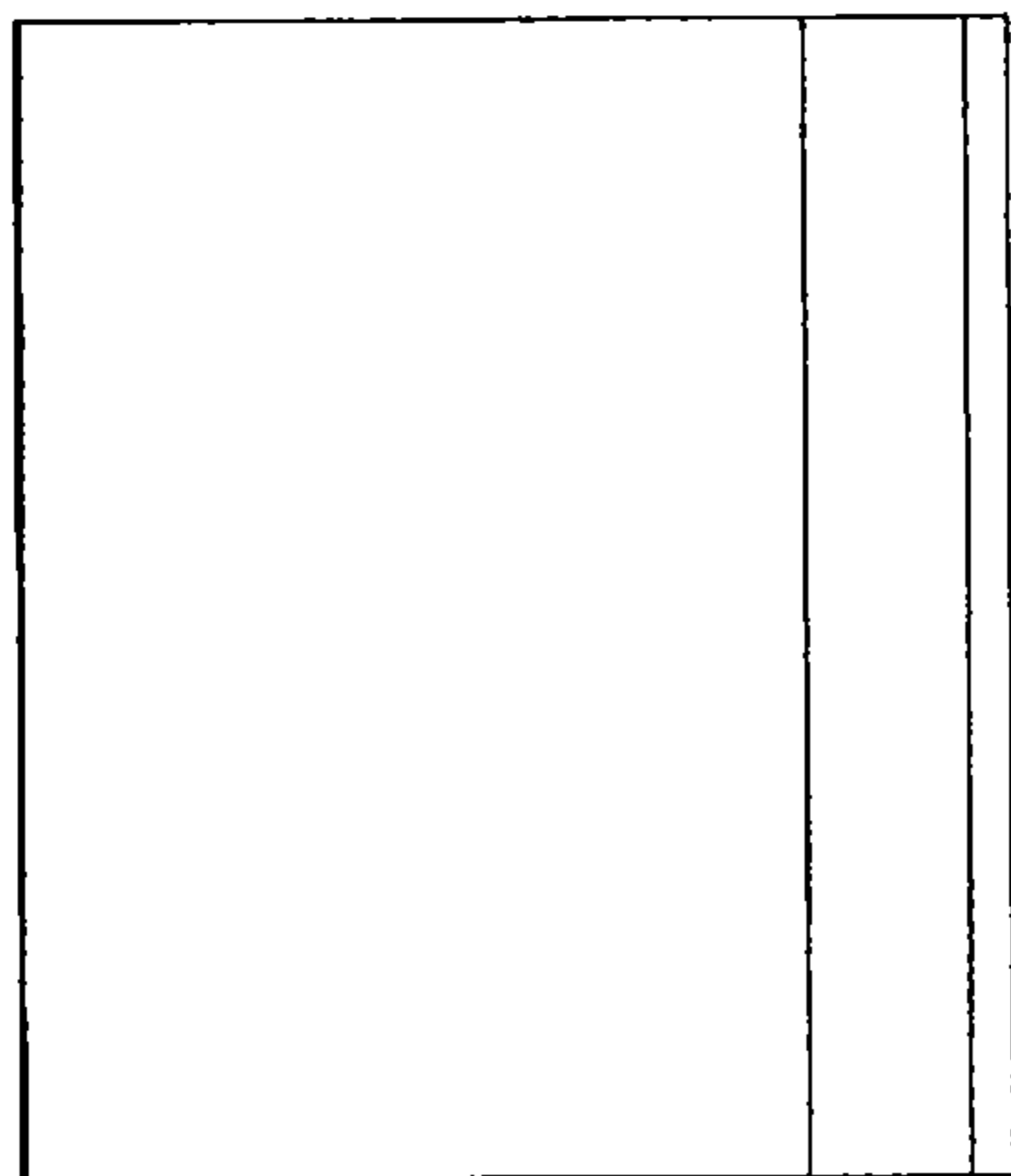


FIG. 6

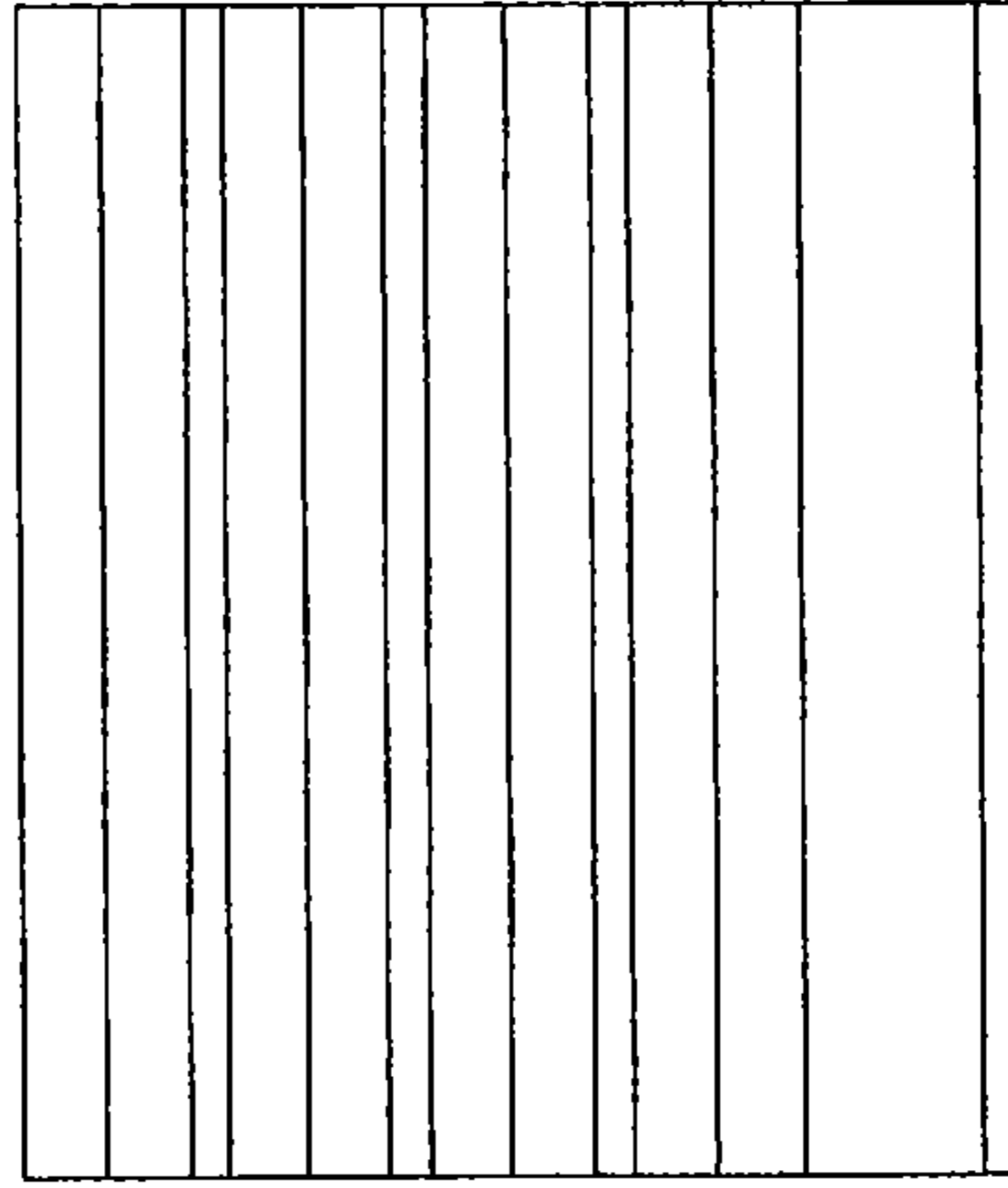


FIG. 7