



US00D740111S

(12) **United States Design Patent**  
**Espinoza**

(10) **Patent No.:** **US D740,111 S**  
(45) **Date of Patent:** **\*\* Oct. 6, 2015**

(54) **CLIP**

- (71) Applicant: **Jim F. Espinoza**, La Jolla, CA (US)
- (72) Inventor: **Jim F. Espinoza**, La Jolla, CA (US)
- (\*\*) Term: **14 Years**
- (21) Appl. No.: **29/464,804**
- (22) Filed: **Aug. 21, 2013**
- (51) **LOC (10) Cl.** ..... **08-08**
- (52) **U.S. Cl.**  
USPC ..... **D8/395**
- (58) **Field of Classification Search**  
USPC ..... D8/394-396, 71-74, 499, 354-355;  
D19/65, 164, 166, 196; D11/164, 78.1  
CPC ..... D06F 55/00; A44D 2203/00; A61B  
17/0664; A61B 17/04; A61B 17/1265; A43D  
79/00; A41B 3/08; A41F 15/02; A62F 2/0063  
See application file for complete search history.

FOREIGN PATENT DOCUMENTS

GB	4024941	*	8/2012
JP	D1381487	*	3/2010

OTHER PUBLICATIONS

Amazon.com : Mat-Loc® Clips : Yoga Mats : Sports & Outdoors, review date Sep. 5, 2012, online, site visited May 21, 2015, [http://www.amazon.com/GG-Bailey-Mat-Loc%C2%AE-Clips/dp/B002QVRV5I/ref=sr\\_1\\_1?s=sporting-goods&ie=UTF8&qid=1432238080&sr=1-1&keyw...](http://www.amazon.com/GG-Bailey-Mat-Loc%C2%AE-Clips/dp/B002QVRV5I/ref=sr_1_1?s=sporting-goods&ie=UTF8&qid=1432238080&sr=1-1&keyw...)\*

\* cited by examiner

*Primary Examiner* — John Windmuller  
*Assistant Examiner* — John R Yeh

(74) *Attorney, Agent, or Firm* — Donn K. Harms

(56) **References Cited**

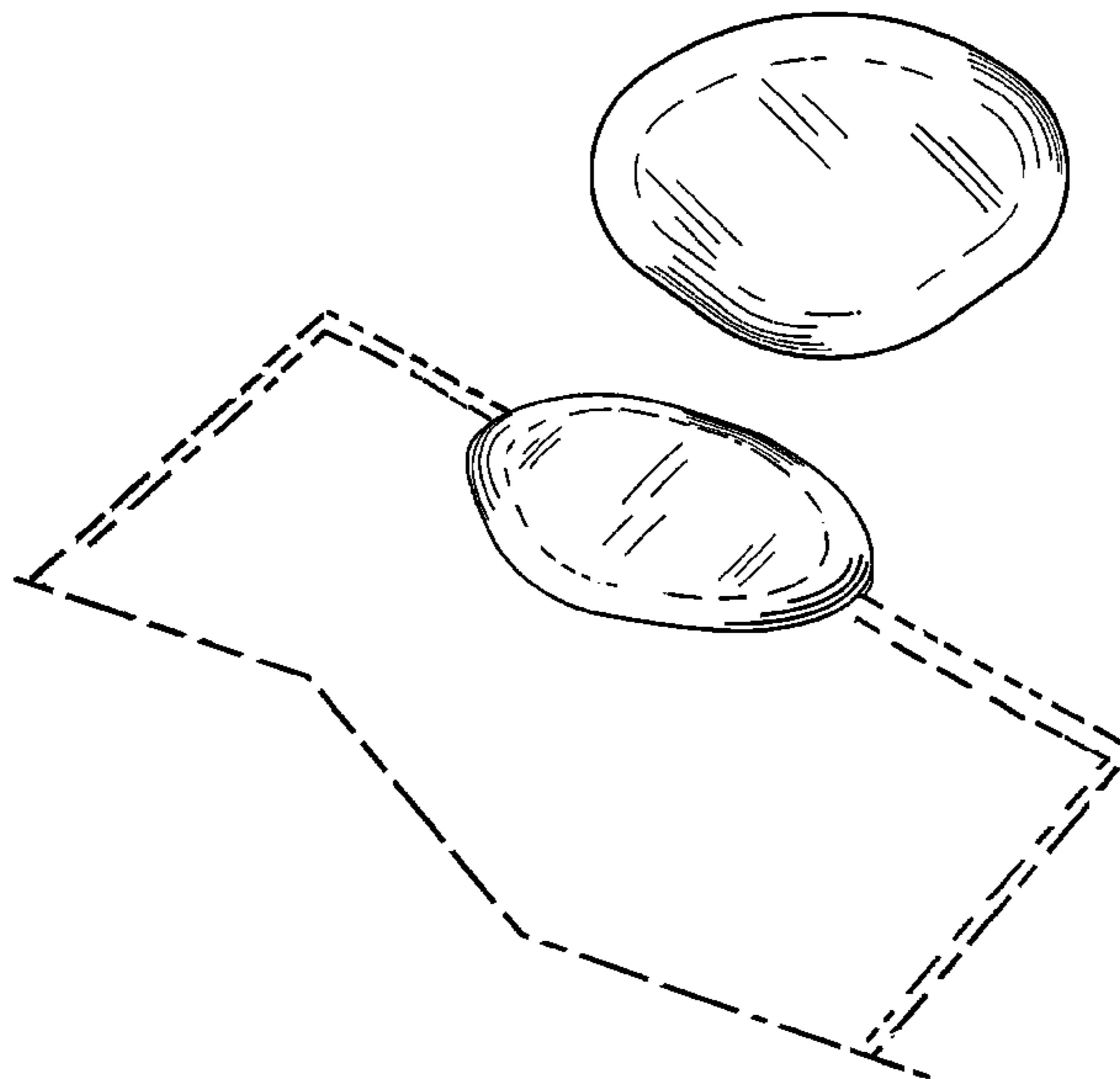
U.S. PATENT DOCUMENTS

D302,242 S *	7/1989	Belash	.....	D8/395
D302,568 S *	8/1989	Berger	.....	D19/65
D306,876 S *	3/1990	Greenhut et al.	.....	D19/65
D375,976 S *	11/1996	Marguerie	.....	D19/65
D393,878 S *	4/1998	Suzuki	.....	D19/65
D406,167 S *	2/1999	Wolff	.....	D19/65
D406,168 S *	2/1999	Wolff	.....	D19/65
D406,169 S *	2/1999	Wolff	.....	D19/65
D406,170 S *	2/1999	Wolff	.....	D19/65
D406,171 S *	2/1999	Wolff	.....	D19/65
D446,549 S *	8/2001	Cheris et al.	.....	D19/88
D454,056 S *	3/2002	Kung	.....	D8/395
D477,776 S *	7/2003	Pontaoe	.....	D8/396
D493,487 S *	7/2004	Nuttall et al.	.....	D19/65
D521,369 S *	5/2006	Sollberger et al.	.....	D8/395
D703,267 S *	4/2014	Harvey Pennaz	.....	D19/86
D718,803 S *	12/2014	Smith et al.	.....	D16/250

DESCRIPTION

FIG. 1 is a top plan view of the clip according to the design; FIG. 2 is a bottom plan view of the clip of FIG. 1; FIG. 3 is a front view of the clip of FIG. 1. FIG. 4 is a rear view of the clip of FIG. 1, opposite the view of FIG. 3; FIG. 5 is a first side view of the clip of FIG. 1; FIG. 6 is a second side of the clip of FIG. 1 opposite the view of FIG. 5; and FIG. 7 is a perspective view of the clip of FIG. 1; and, FIG. 8 is a perspective view of the clip as in FIG. 7, depicted in a used position, engaged with a towel. The broken lines in the figures represent environment of the device which forms no part of the claimed design.

**1 Claim, 1 Drawing Sheet**



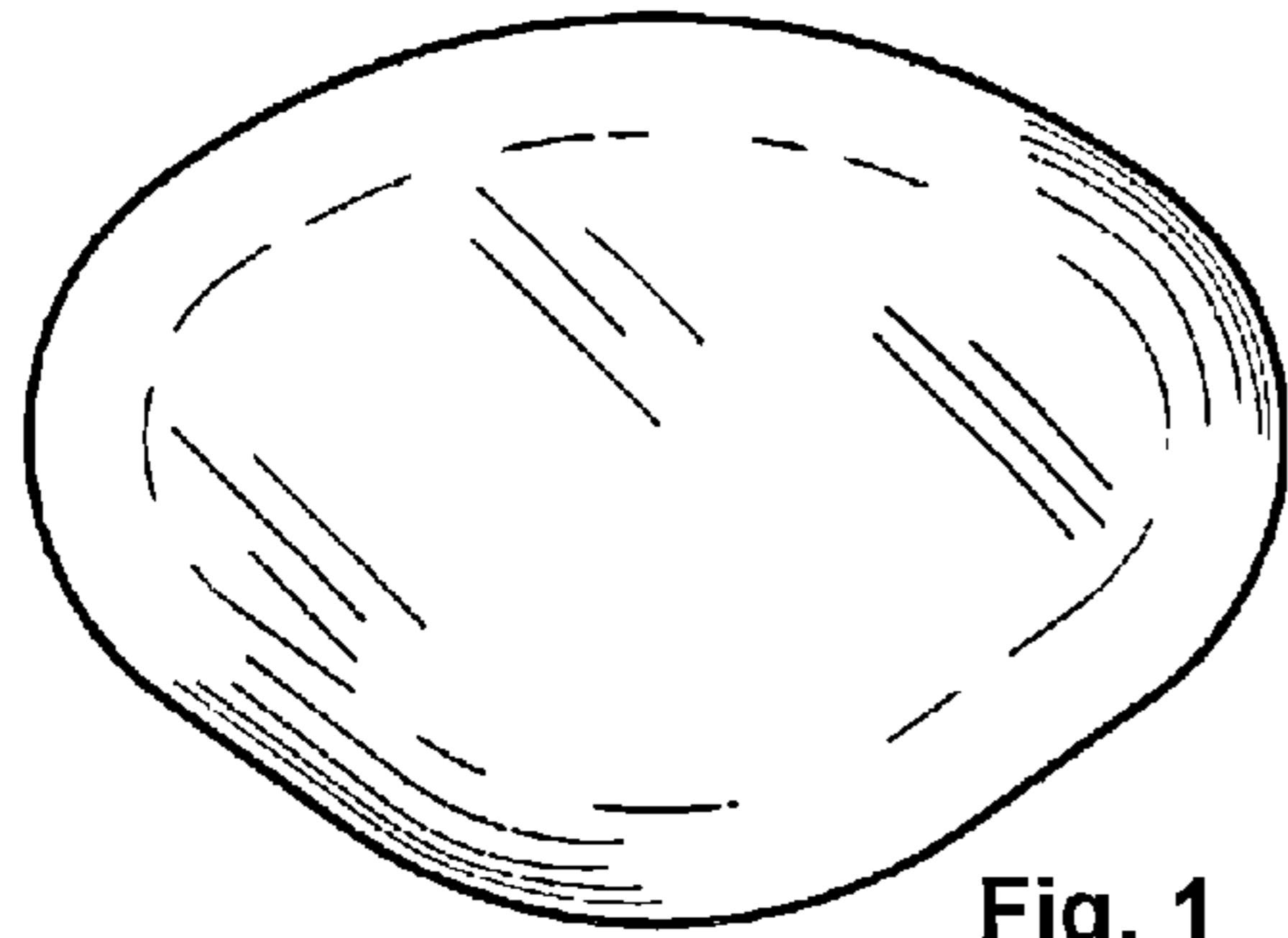


Fig. 1

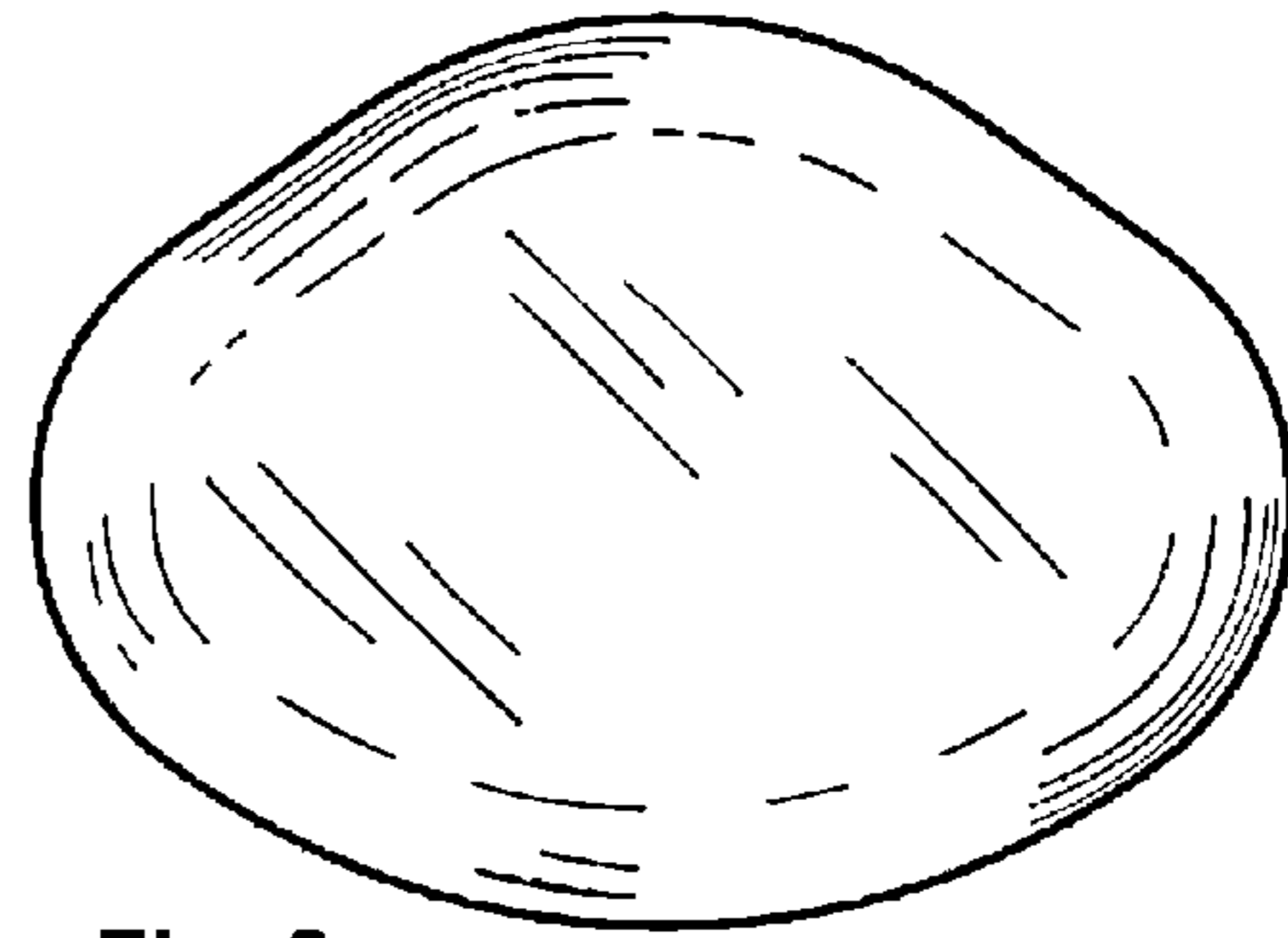


Fig. 2



Fig. 3

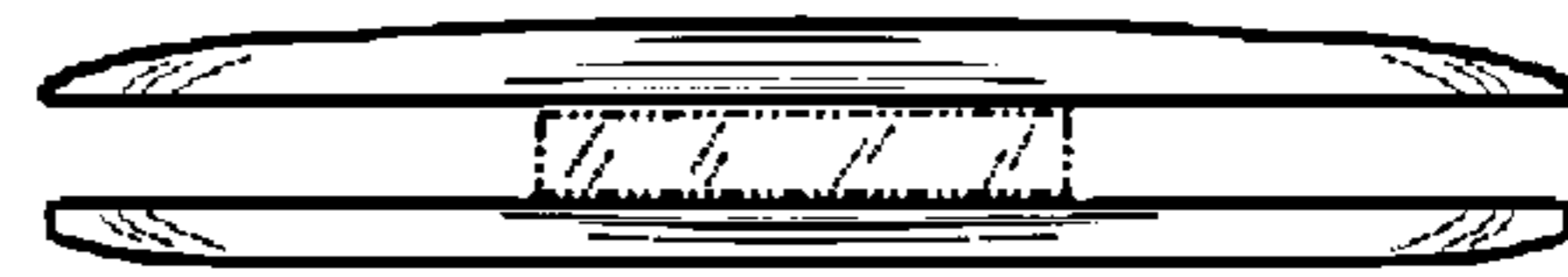


Fig. 4

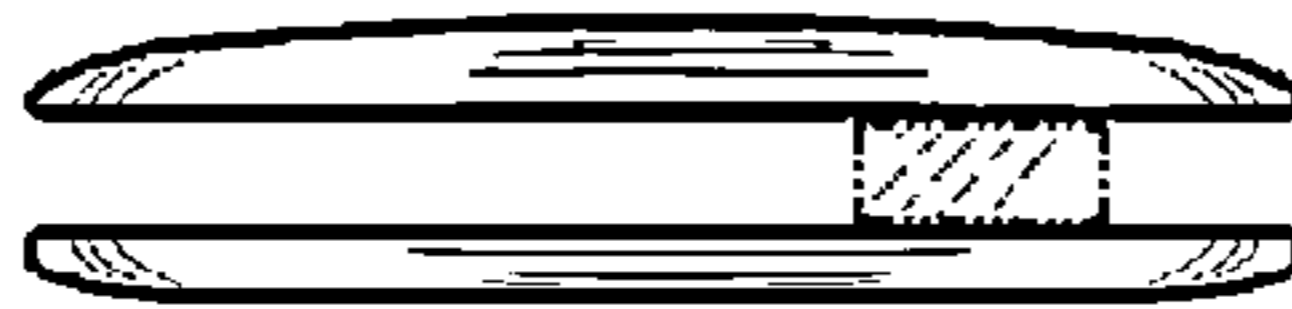


Fig. 5

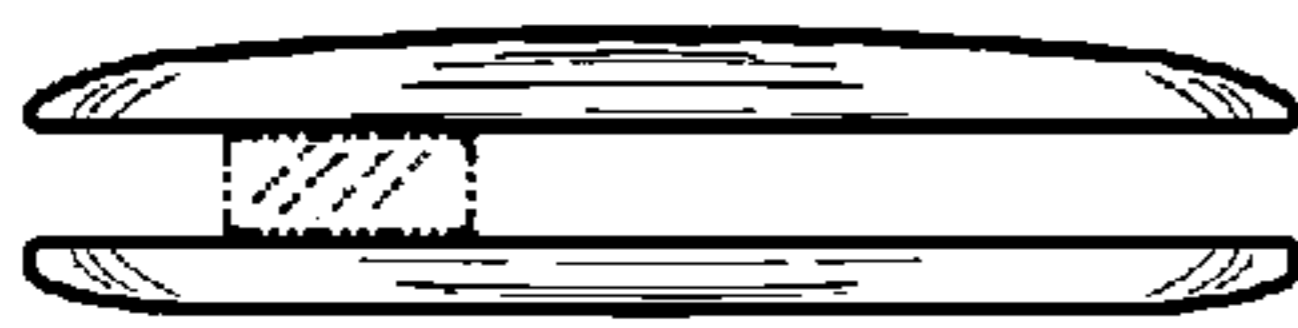


Fig. 6

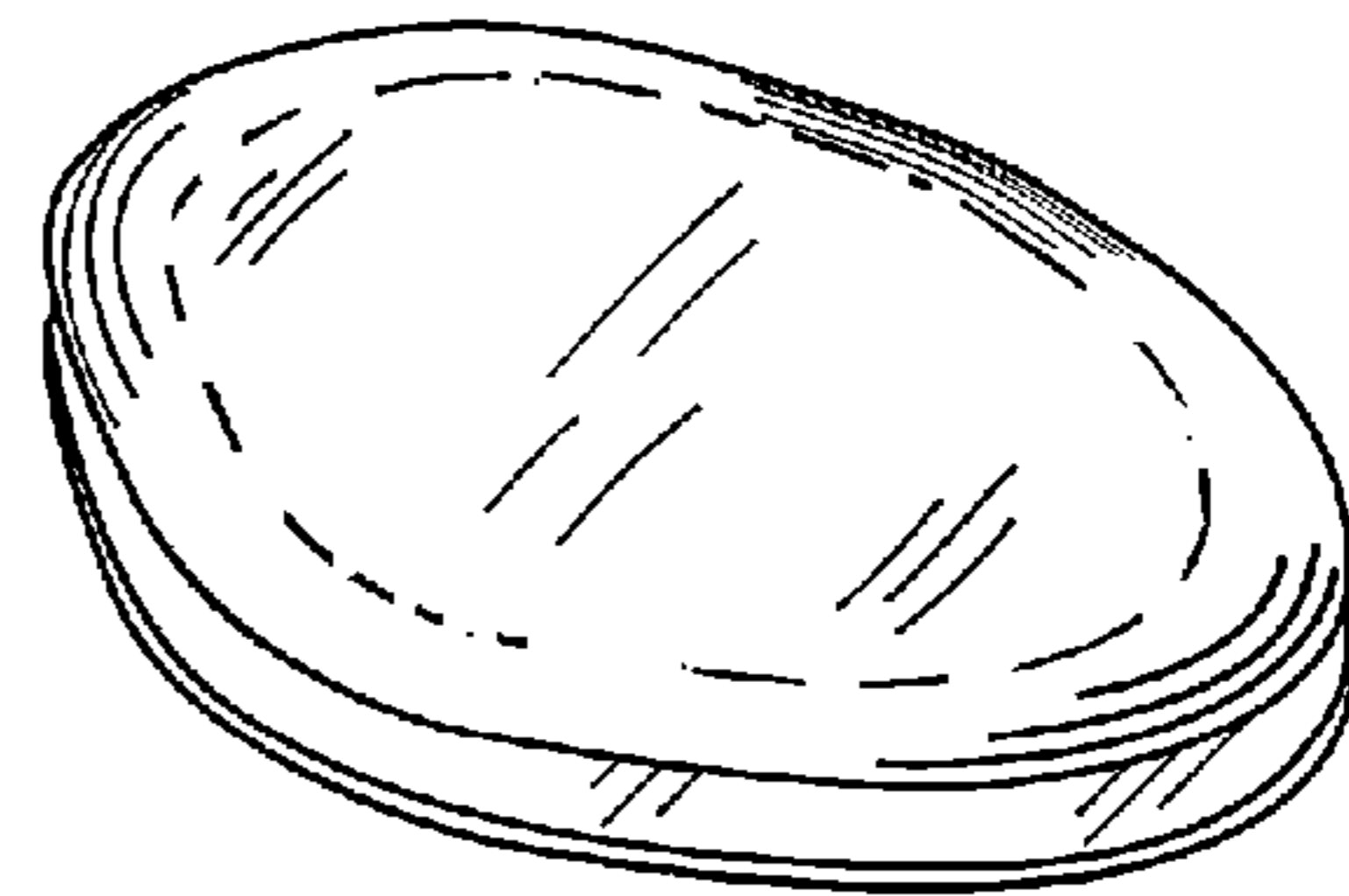


Fig. 7

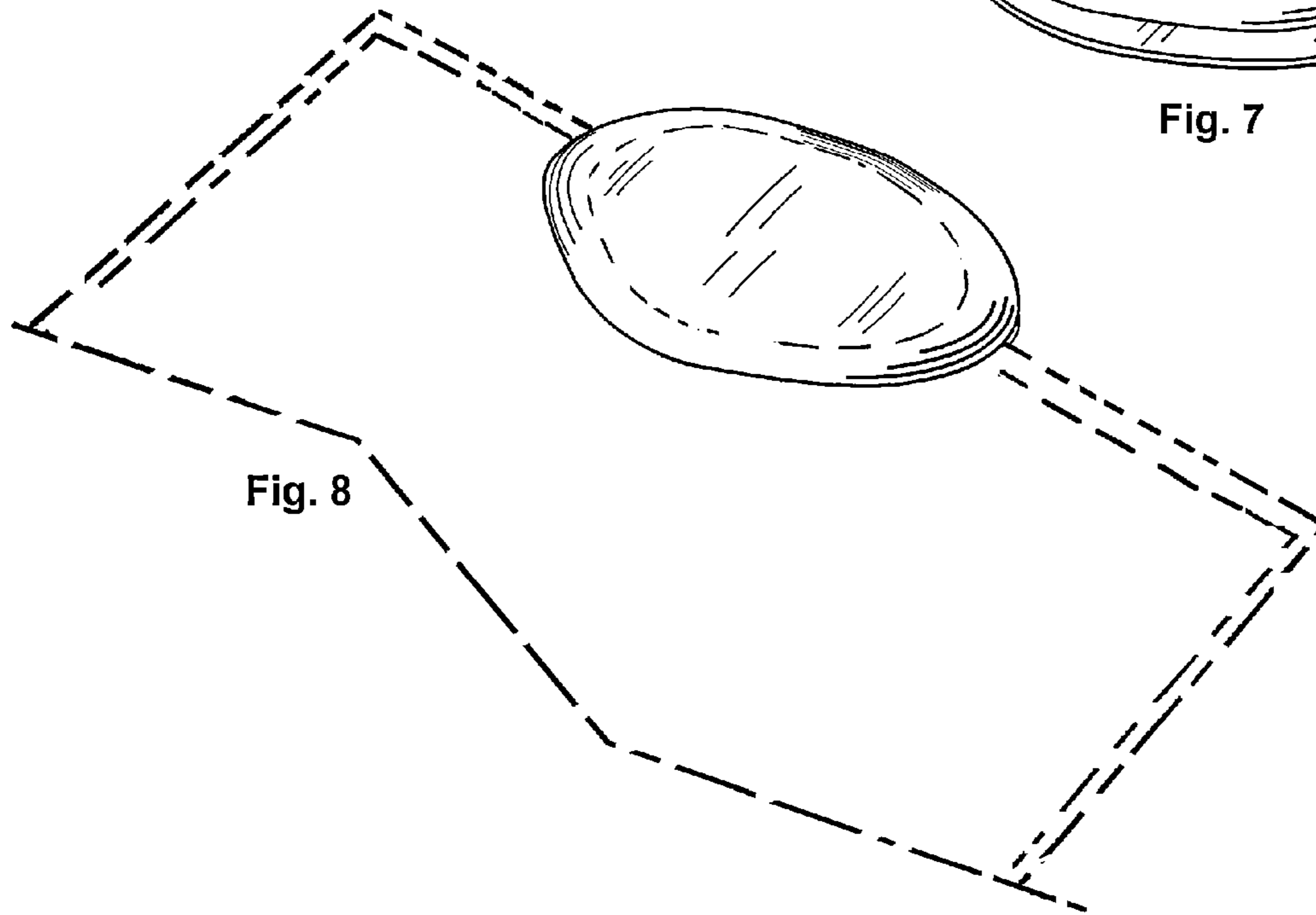


Fig. 8