



US00D740110S

(12) **United States Design Patent**
Luoma

(10) **Patent No.:** **US D740,110 S**
(45) **Date of Patent:** **** Oct. 6, 2015**

(54) **SEALING CLIPS**

(71) Applicant: **Eugene Howard Luoma**, Duluth, MN
(US)

(72) Inventor: **Eugene Howard Luoma**, Duluth, MN
(US)

(**) Term: **14 Years**

(21) Appl. No.: **29/471,309**

(22) Filed: **Oct. 30, 2013**

(51) **LOC (10) Cl.** **08-08**

(52) **U.S. Cl.**
USPC **D8/394**

(58) **Field of Classification Search**
USPC D8/394–396, 349, 354, 355, 371;
24/23 R, 16 R, 30.5 R, 30.5 S, 30.5 L,
24/570, 3.12; D24/127, 128; 248/62, 65,
248/72, 74.1–74.4, 300, 316.1
CPC D06F 55/00; B65D 63/06; B65D 63/08;
B65D 33/1675; B65D 33/1625; B65D
33/1633; F16L 3/14; F16L 3/04; F16L 3/24;
F16L 3/12; F16L 3/13
See application file for complete search history.

(56) **References Cited**

U.S. PATENT DOCUMENTS

D305,297 S *	1/1990	O'Neill	D9/434
D328,187 S *	7/1992	Saurette	D9/434
D426,577 S *	6/2000	Mackey et al.	D19/89
D467,802 S *	12/2002	Amundson	D9/443
D474,968 S *	5/2003	Hicks et al.	D9/443
D484,035 S *	12/2003	Smith-Kielland et al.	D8/394
D486,385 S *	2/2004	Smith-Kielland et al.	D8/394

D506,381 S *	6/2005	Lu	D8/349
D549,090 S *	8/2007	Feuerzeig	D8/394
D564,352 S *	3/2008	Rice	D9/434
D612,715 S *	3/2010	Weinberg et al.	D8/394
D688,122 S *	8/2013	Wasco	D8/395
D694,098 S *	11/2013	Byron et al.	D8/394
D712,729 S *	9/2014	Cushing	D8/395
2003/0188510 A1 *	10/2003	Vargas	53/410
2008/0155790 A1 *	7/2008	Hsu	24/30.5 R

* cited by examiner

Primary Examiner — John Windmuller

Assistant Examiner — Steven Czyz

(74) *Attorney, Agent, or Firm* — Christensen Fonder P.A.

(57) **CLAIM**

I claim the ornamental design for sealing clips, as shown and described.

DESCRIPTION

FIG. 1 is a perspective view of sealing clips showing my new design;
FIG. 2 is a right end view thereof;
FIG. 3 is a top plan view thereof;
FIG. 4 is a bottom plan view thereof;
FIG. 5 is a side elevational view thereof;
FIG. 6 is a side elevational view of an alternative configuration thereof, wherein the inner sealing clip is slidably withdrawn from within the outer sealing clip; and,
FIG. 7 is a perspective view of a sealing clip, shown separately for ease of disclosure.
The broken lines showing a third sealing clip are for illustrative purpose only and forms no part of the claim design.

1 Claim, 4 Drawing Sheets

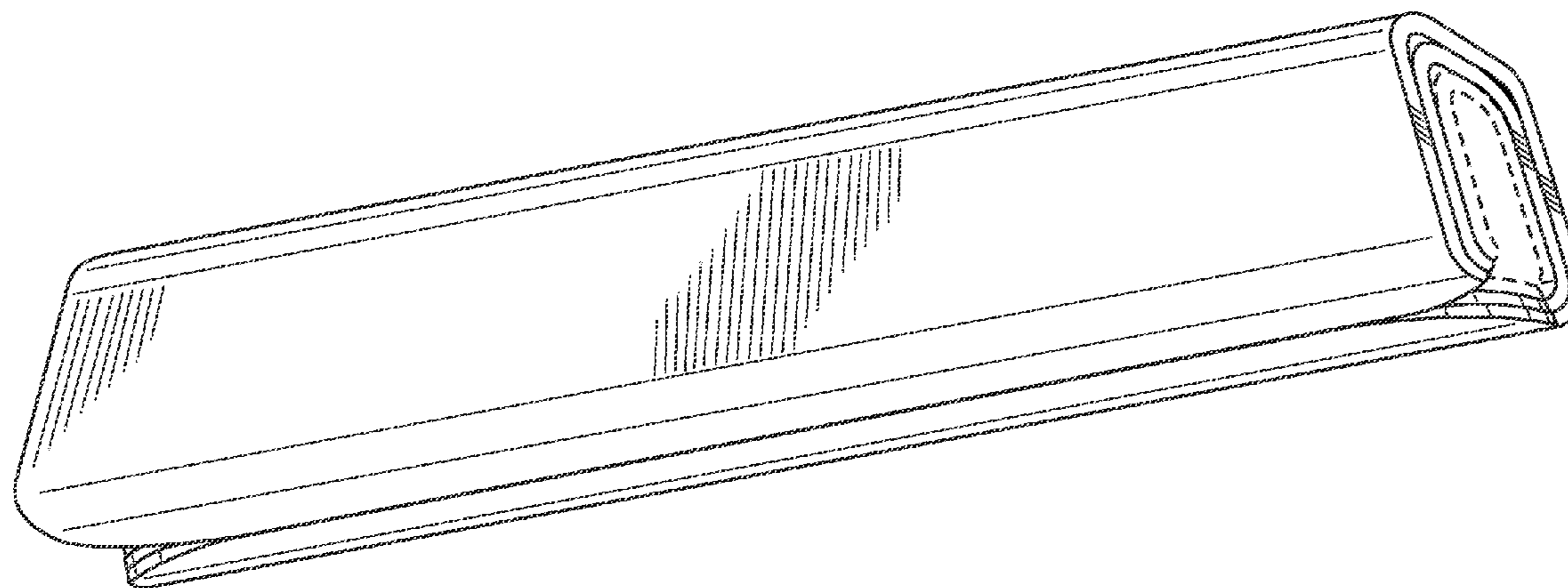


Fig. 1

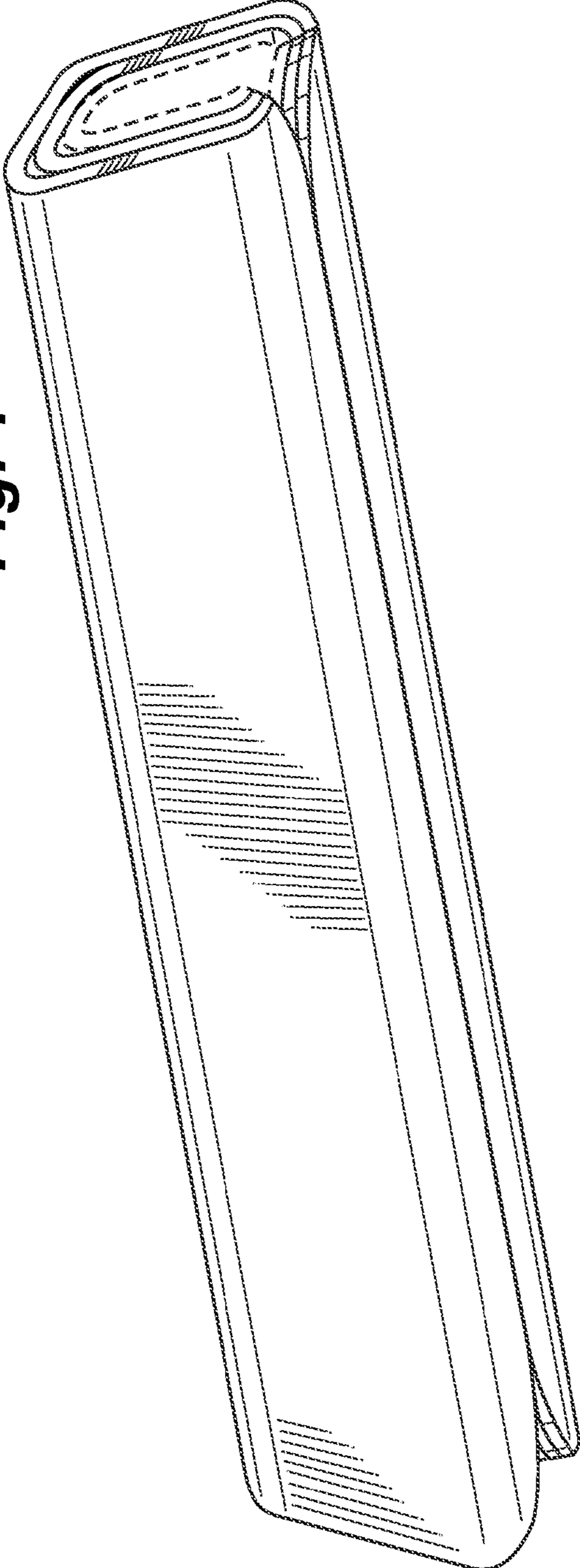


Fig. 2

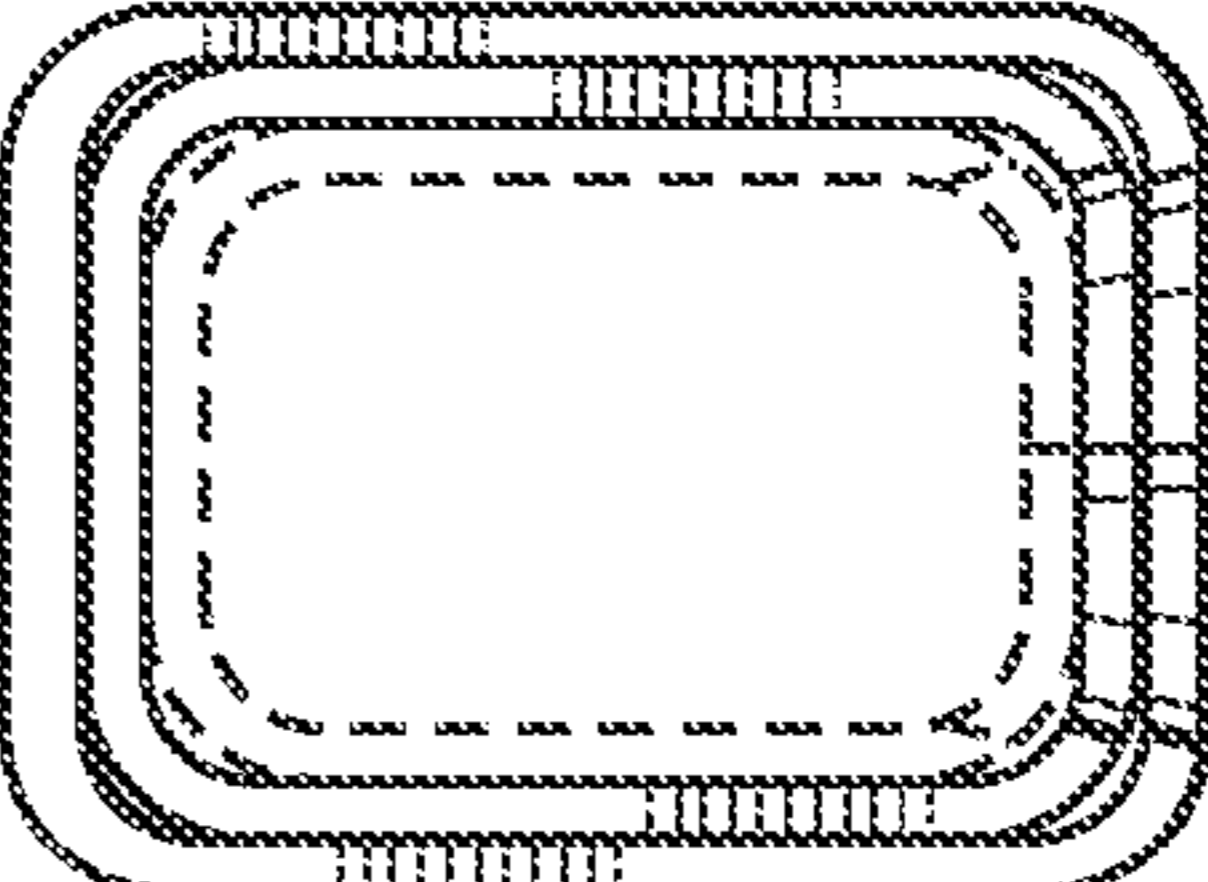


Fig. 3

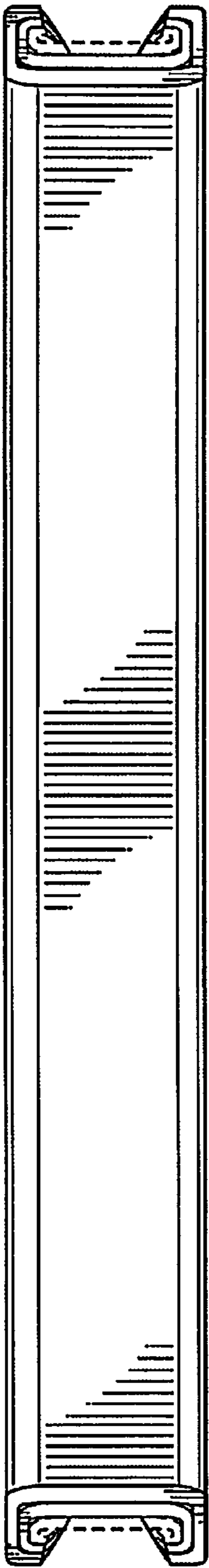


Fig. 4

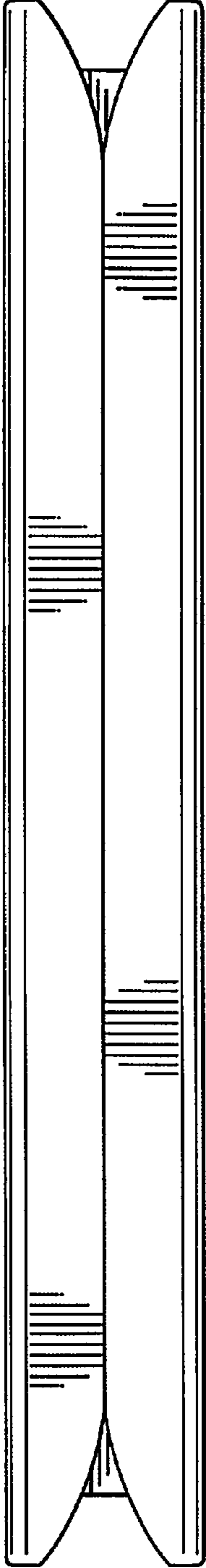


Fig. 5

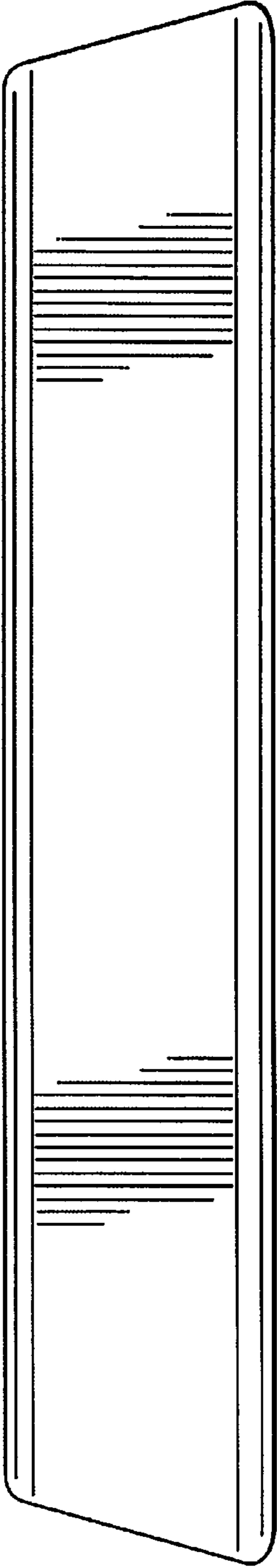
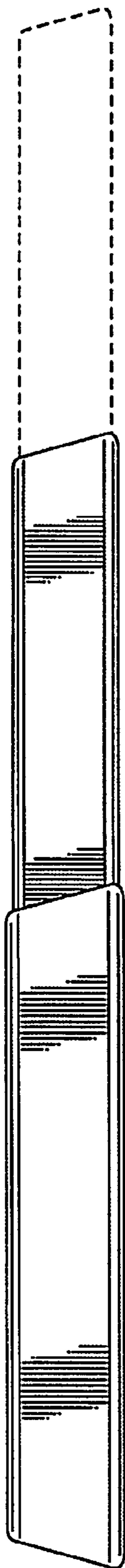


Fig. 6



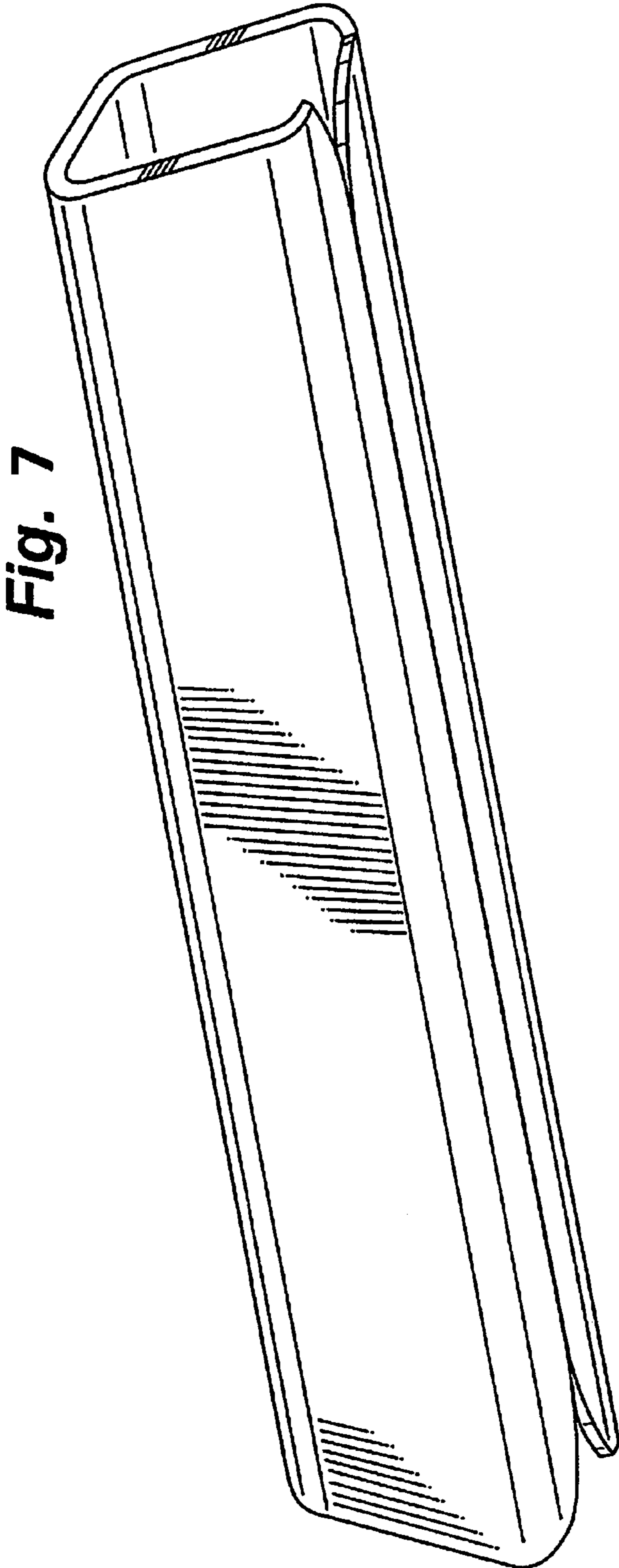


Fig. 7