

US00D740108S

(12) **United States Design Patent**
Di Stefano

(10) **Patent No.:** **US D740,108 S**

(45) **Date of Patent:** **** Oct. 6, 2015**

(54) **BRACKET FOR CURTAINS AND BLINDS**

(71) Applicant: **Carmelo Joseph Licciardi Di Stefano,**
Broadmeadows VIC (AU)

(72) Inventor: **Carmelo Joseph Licciardi Di Stefano,**
Broadmeadows VIC (AU)

(73) Assignee: **Acmeda Pty Ltd,** Broadmeadows, VIC
(AU)

(**) Term: **14 Years**

(21) Appl. No.: **29/451,975**

(22) Filed: **Apr. 10, 2013**

(30) **Foreign Application Priority Data**

Oct. 11, 2012 (AU) 15045/2012

(51) **LOC (10) Cl.** **08-05**

(52) **U.S. Cl.**
USPC **D8/363; D6/580; D8/366**

(58) **Field of Classification Search**
USPC D8/349, 354, 363, 373, 374, 376, 377,
D8/381, 382, 499; D6/580
CPC A47H 1/00; A47H 1/02; A47H 1/04;
A47H 1/10; A47H 1/12; A47H 1/13; A47H
1/14; A47H 1/18; A47H 1/102; A47H 1/104;
A47H 1/142; A47H 1/144; F16L 3/14; F16L
3/24; F16M 11/00

See application file for complete search history.

(56) **References Cited**

U.S. PATENT DOCUMENTS

1,559,124 A * 10/1925 Newton 248/254
2,470,648 A * 5/1949 Rohleder 248/255

2,696,358 A * 12/1954 Moyer et al. 248/264
D250,702 S * 1/1979 VandenBrink et al. D12/187
D330,503 S * 10/1992 Rana D8/349
D357,400 S * 4/1995 Sachs D8/356
D374,739 S * 10/1996 Blanton D26/138
D432,901 S * 10/2000 McDonald D8/354
D442,471 S * 5/2001 Willett D8/354
D683,565 S * 6/2013 Chou D6/580
2004/0094681 A1 * 5/2004 Birnbaum 248/300
2007/0120031 A1 * 5/2007 Rasmussen 248/266
2011/0226917 A1 * 9/2011 Ng et al. 248/262

* cited by examiner

Primary Examiner — Thomas Johannes

Assistant Examiner — Shawn T Gingrich

(74) *Attorney, Agent, or Firm* — Head, Johnson &
Kachigian, P.C.

(57) **CLAIM**

The ornamental design for a bracket for curtains and blinds,
as shown and described.

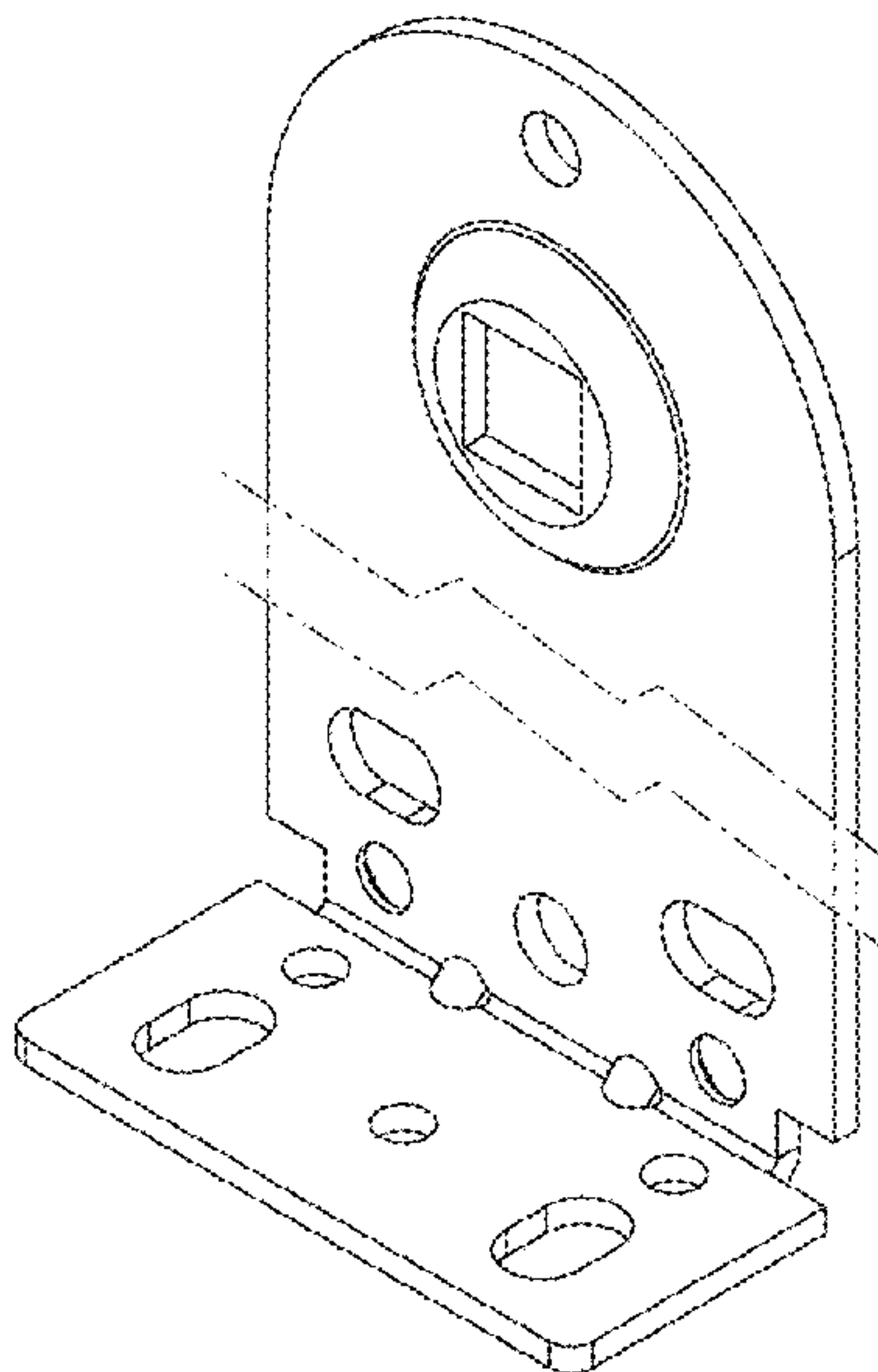
DESCRIPTION

FIG. 1 is a front view of the bracket for curtains and blinds;
FIG. 2 is a right side view thereof with the left side view being
a mirror image thereof;
FIG. 3 is a rear view thereof;
FIG. 4 is a bottom view thereof;
FIG. 5 is a top view thereof; and,
FIG. 6 is a perspective view thereof.

The breakaway symbols in the drawings indicate that any
portion of the article beyond what is shown forms no part of
the claimed design.

The broken lines throughout the drawings illustrate a portion
of the bracket that forms no part of the claimed design.

1 Claim, 3 Drawing Sheets



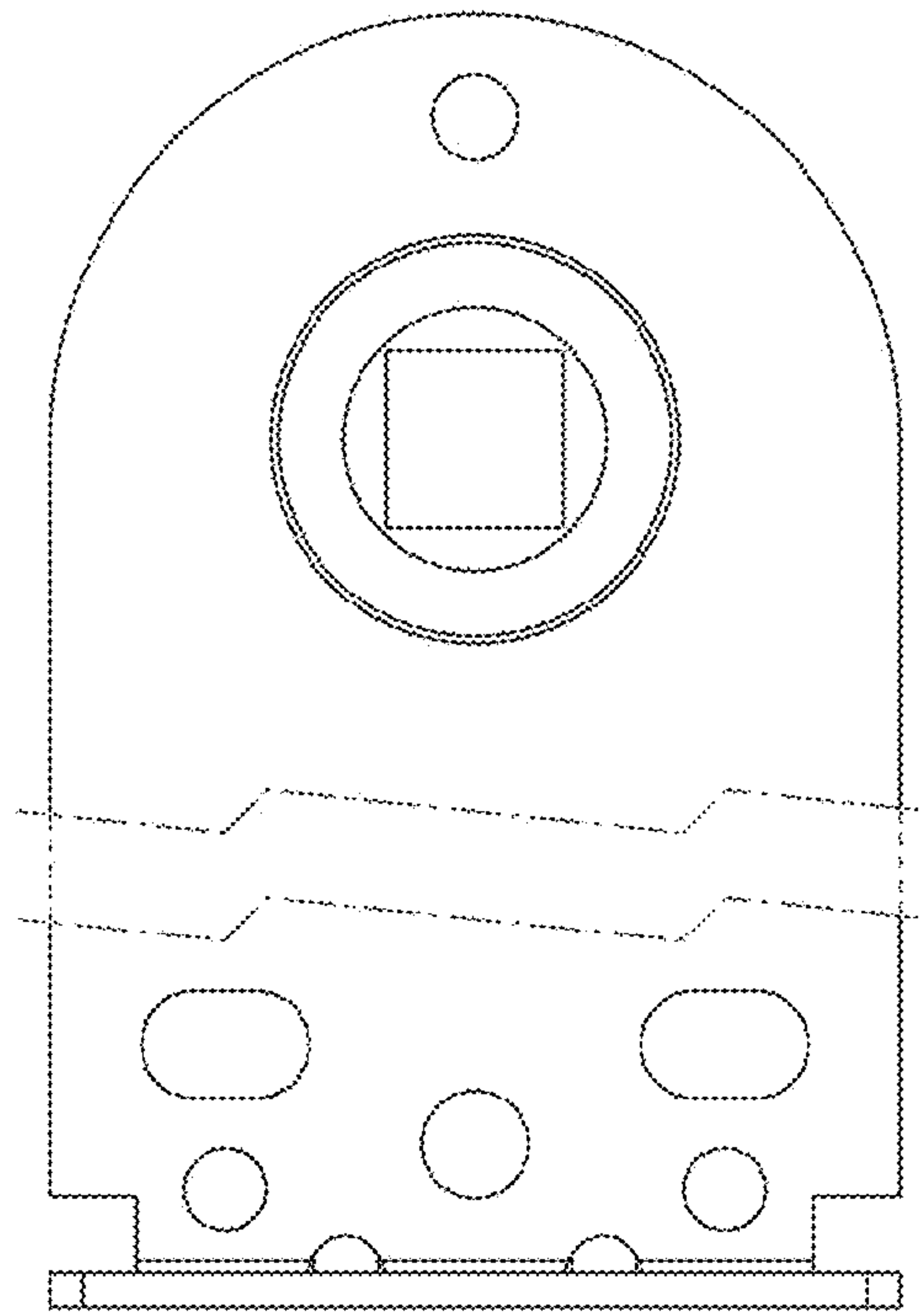


Figure 1

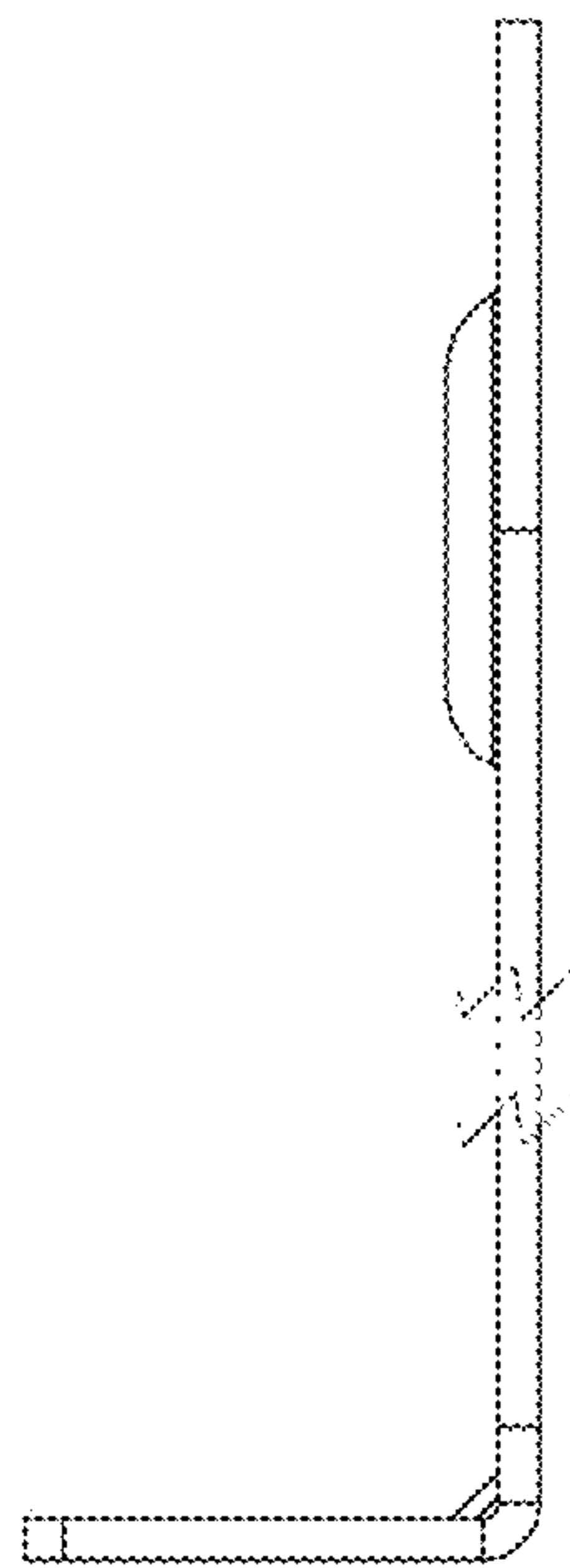


Figure 2

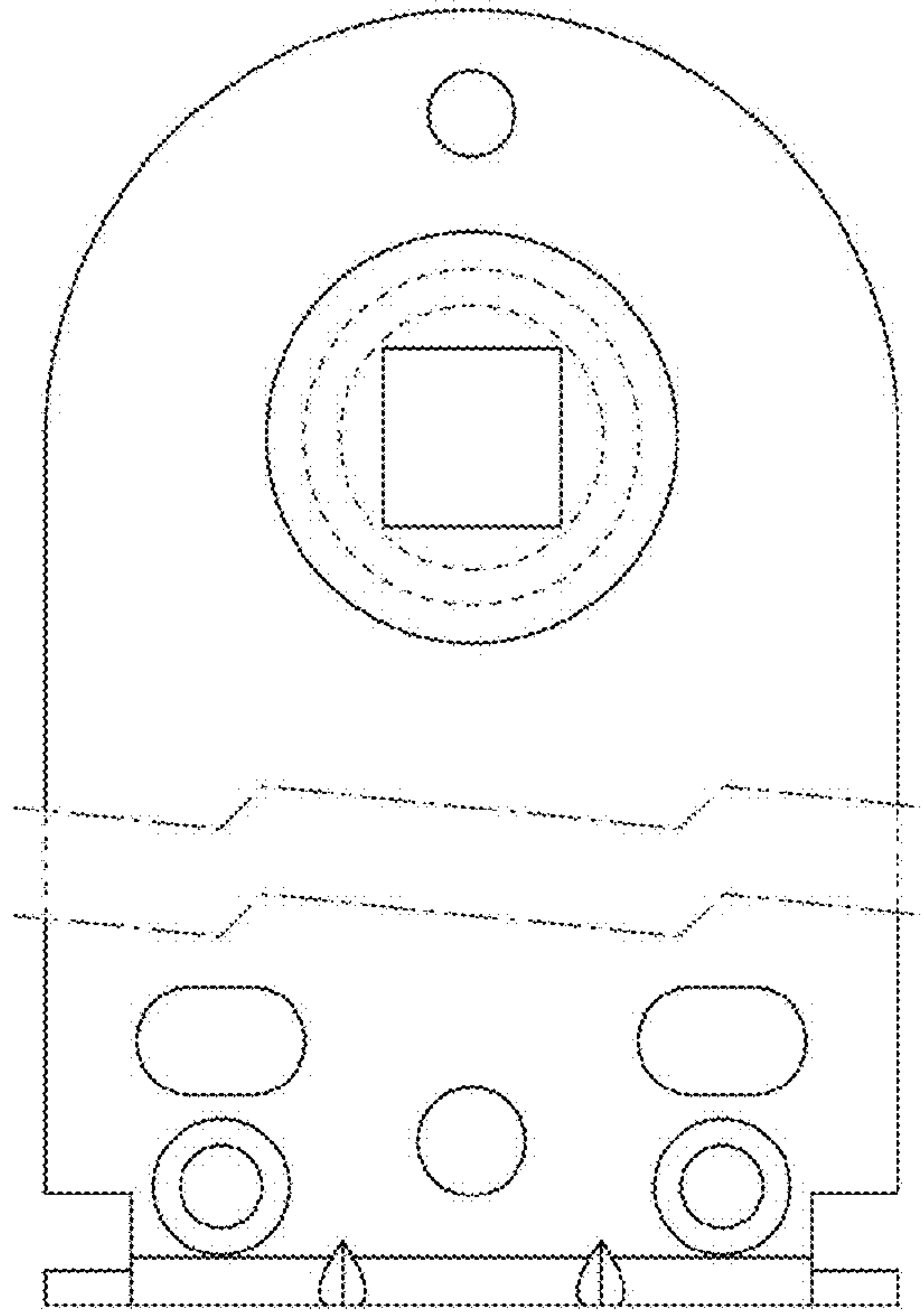


Figure 3

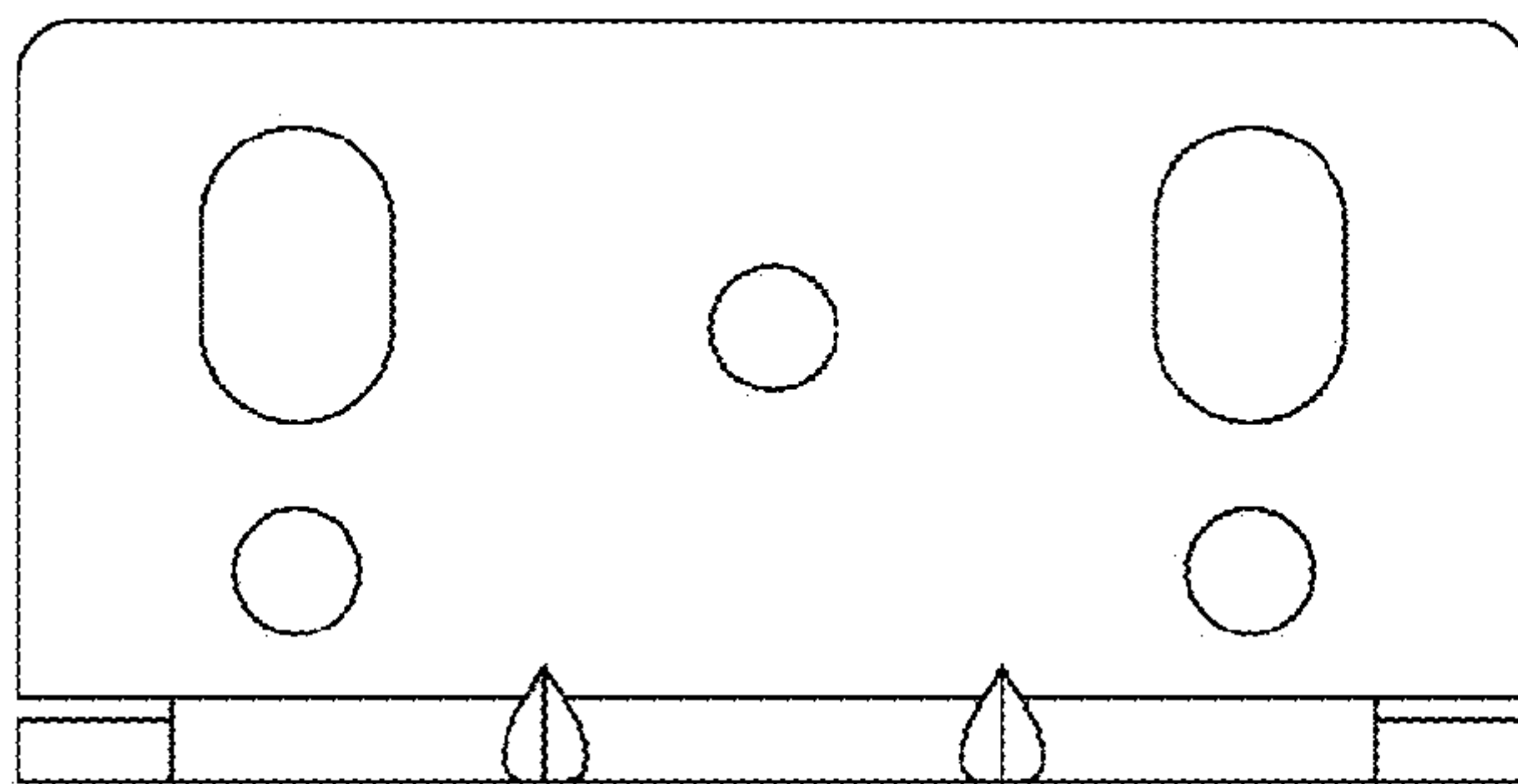


Figure 4

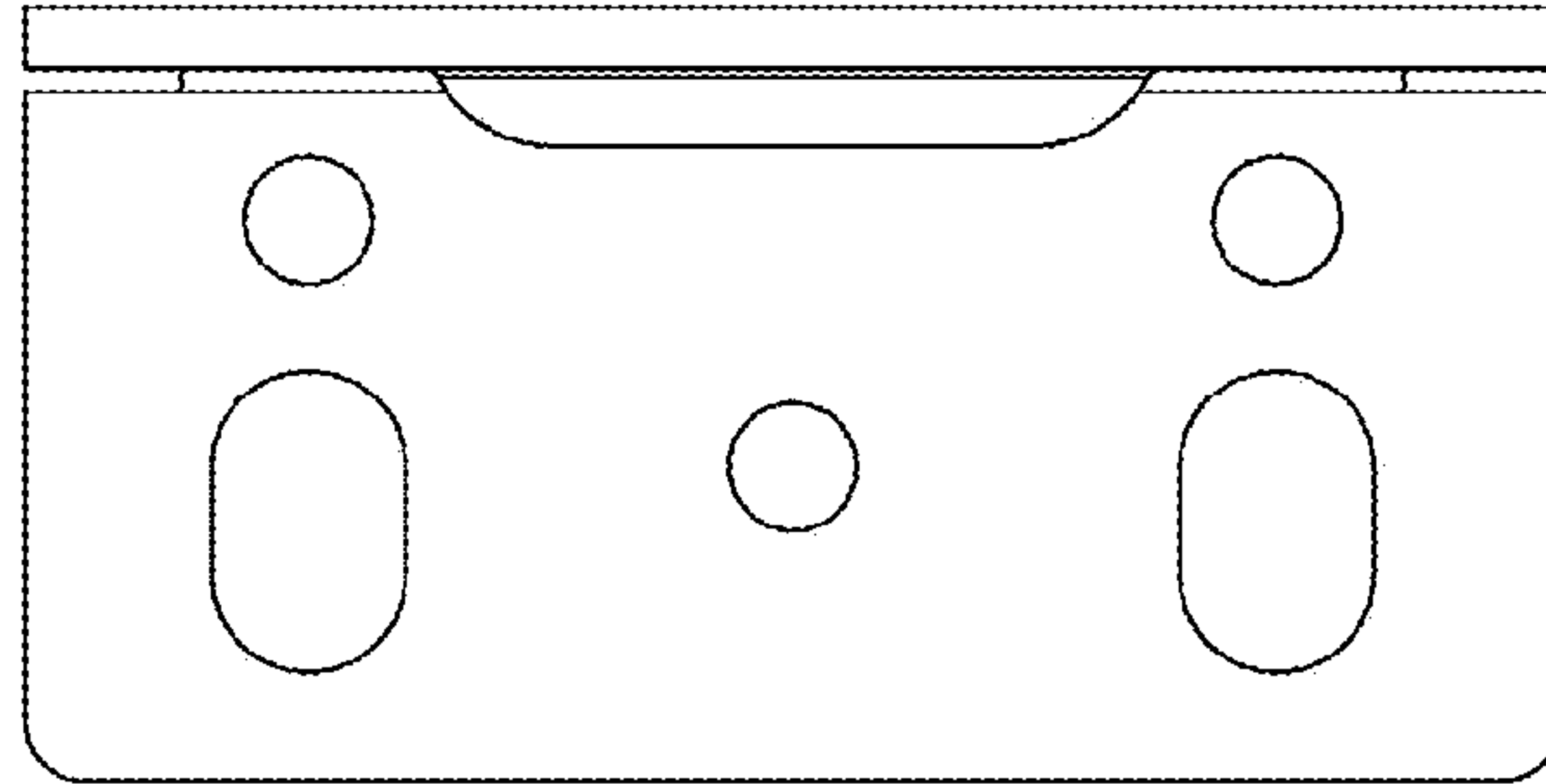


Figure 5

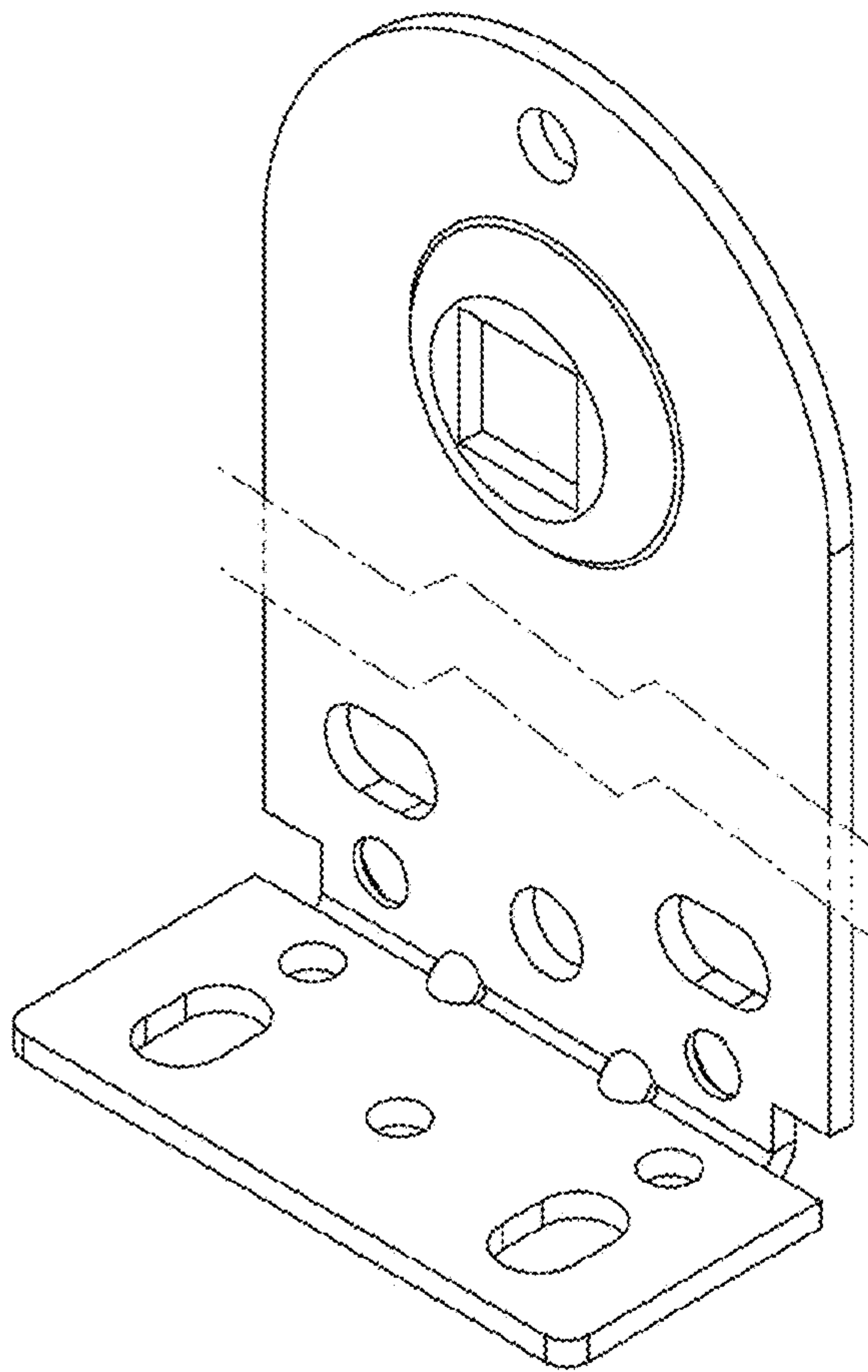


Figure 6