

US00D740107S

(12) **United States Design Patent**  
**Armani et al.**

(10) **Patent No.:** **US D740,107 S**

(45) **Date of Patent:** **\*\* Oct. 6, 2015**

- (54) **FILAMENT SPOOL**
- (71) Applicants: **Michael Daniel Armani**, Dayto, MD  
(US); **Syed Hamidur Rahman**,  
Bethesda, MD (US)
- (72) Inventors: **Michael Daniel Armani**, Dayto, MD  
(US); **Syed Hamidur Rahman**,  
Bethesda, MD (US)
- (\*\*) Term: **14 Years**
- (21) Appl. No.: **29/501,040**
- (22) Filed: **Aug. 29, 2014**
- (51) **LOC (10) Cl.** ..... **08-05**
- (52) **U.S. Cl.**  
USPC ..... **D8/358**
- (58) **Field of Classification Search**  
USPC ..... D8/358, 360, 356, 359, 383, 380, 381;  
D6/515; D12/96, 106, 400, 223, 217;  
D10/72; D19/67; D13/137.4; D34/14,  
D34/19, 24, 25  
CPC ..... B66D 3/006; B66D 3/18; B66D 3/26;  
B66D 3/02; B66D 3/14; B63B 21/18; B63B  
21/26; B65B 57/005; A61G 7/1051; A61G  
7/1061; B65H 16/02; B65H 2301/4131;  
B65H 75/4471; B66B 11/08  
See application file for complete search history.

- D379,425 S \* 5/1997 Wright et al. .... D8/359
- D390,093 S \* 2/1998 Spear et al. .... D8/358
- D404,286 S \* 1/1999 Plantz et al. .... D8/359
- D431,179 S \* 9/2000 Kovacik et al. .... D8/358
- D475,277 S \* 6/2003 Wu ..... D8/358
- D582,754 S \* 12/2008 Stein ..... D8/358
- D664,834 S \* 8/2012 Handa ..... D8/360
- D716,640 S \* 11/2014 Martinson ..... D8/356

\* cited by examiner

*Primary Examiner* — Robert M Spear

*Assistant Examiner* — Eliza Bennett-Hattan

(74) *Attorney, Agent, or Firm* — Michael J. Foycik, Jr.

(57) **CLAIM**

The ornamental design for a filament spool, as shown.

**DESCRIPTION**

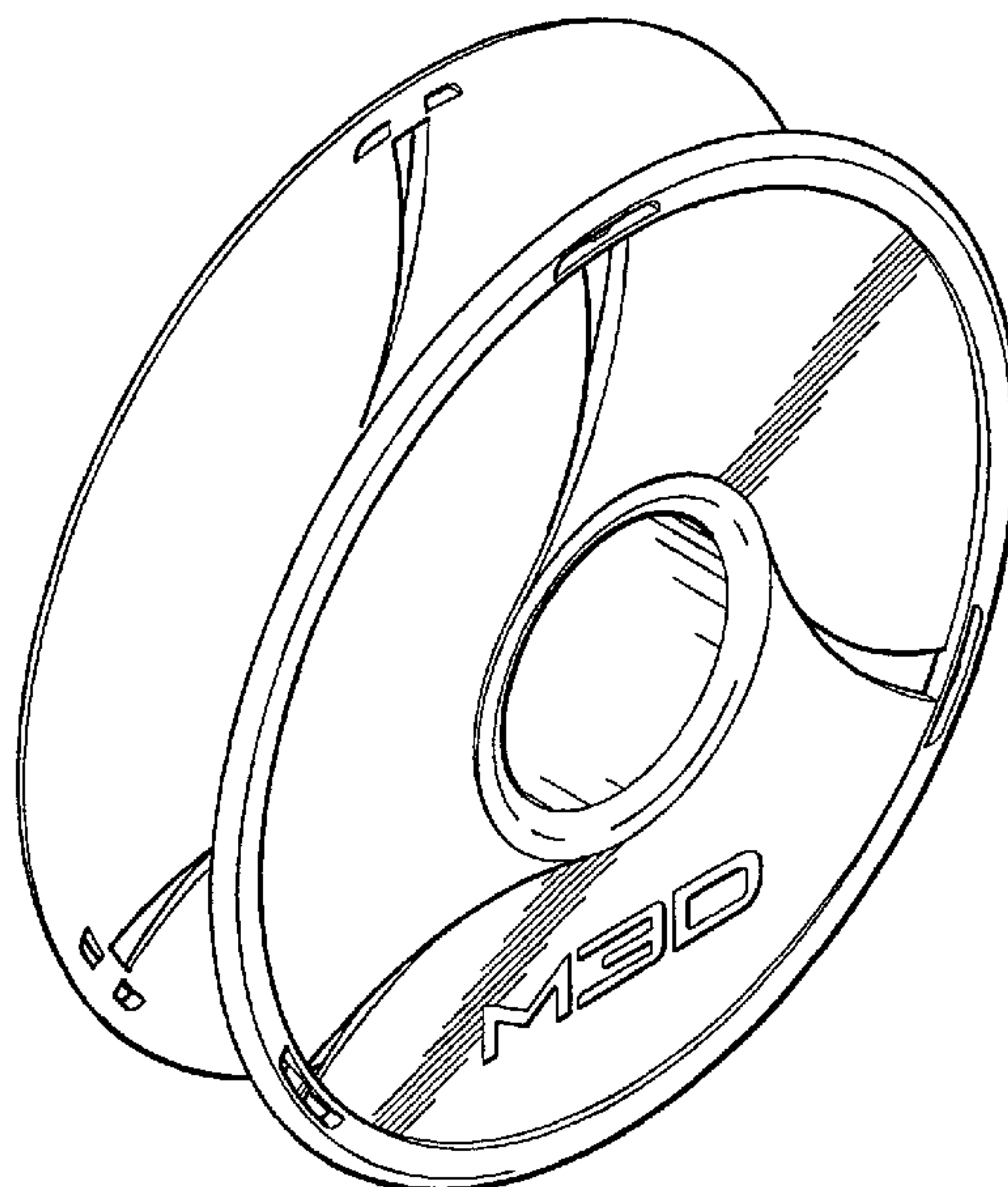
FIG. 1 is a perspective view, taken from the front, top, and left of a filament spool showing our new design;  
 FIG. 2 is a perspective back view thereof;  
 FIG. 3 is a front elevational view thereof;  
 FIG. 4 is a rear elevational view thereof;  
 FIG. 5 is a right side elevational view thereof, the left side being a mirror image of the right side;  
 FIG. 6 is a front elevational view thereof, having a section line 8-8 indicated thereon;  
 FIG. 7 is a rear elevational view thereof, having a section line 9-9 indicated thereon;  
 FIG. 8 is a sectional view thereof, taken along line 8-8 of FIG. 6;  
 FIG. 9 is a sectional view thereof, taken along line 9-9 of FIG. 7, and having a line 7-7 indicated thereon; and,  
 FIG. 10 is a sectional view thereof taken along line 7-7 of FIG. 9.

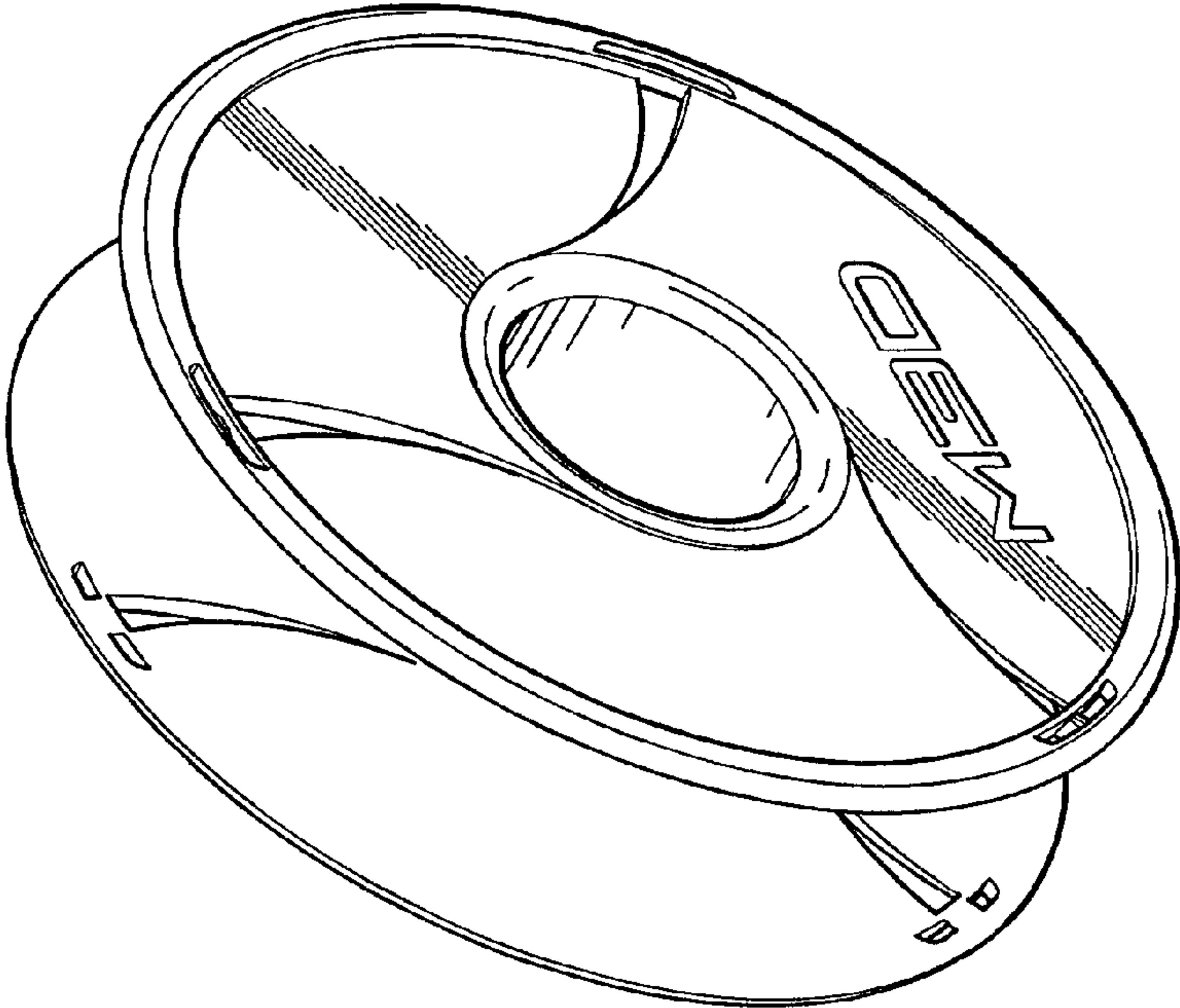
(56) **References Cited**

**U.S. PATENT DOCUMENTS**

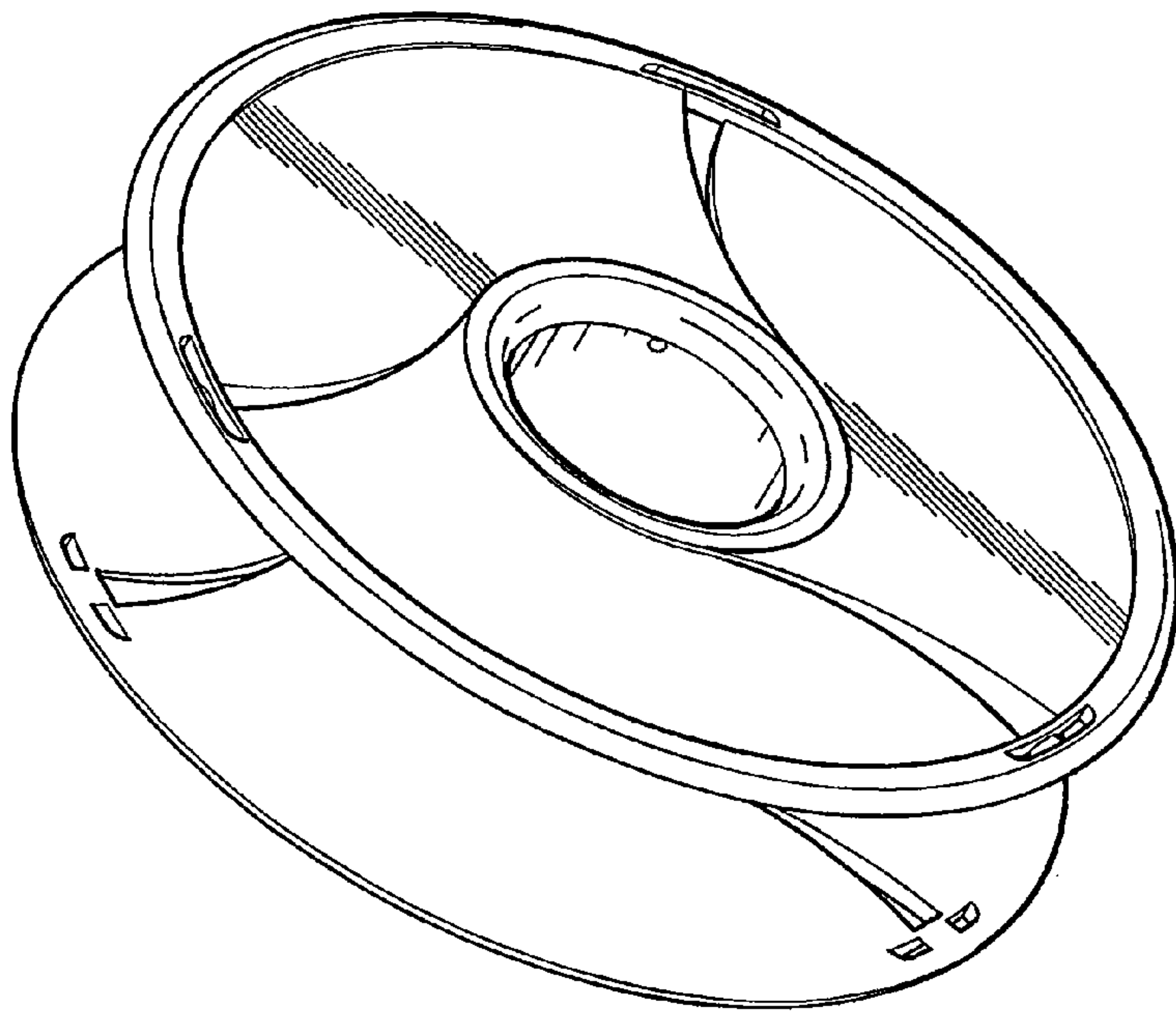
- D29,104 S \* 7/1898 Donnell ..... D8/358
- 758,081 A \* 4/1904 Kottusoh ..... 474/130
- D50,432 S \* 3/1917 Stimpson ..... D8/356

**1 Claim, 9 Drawing Sheets**

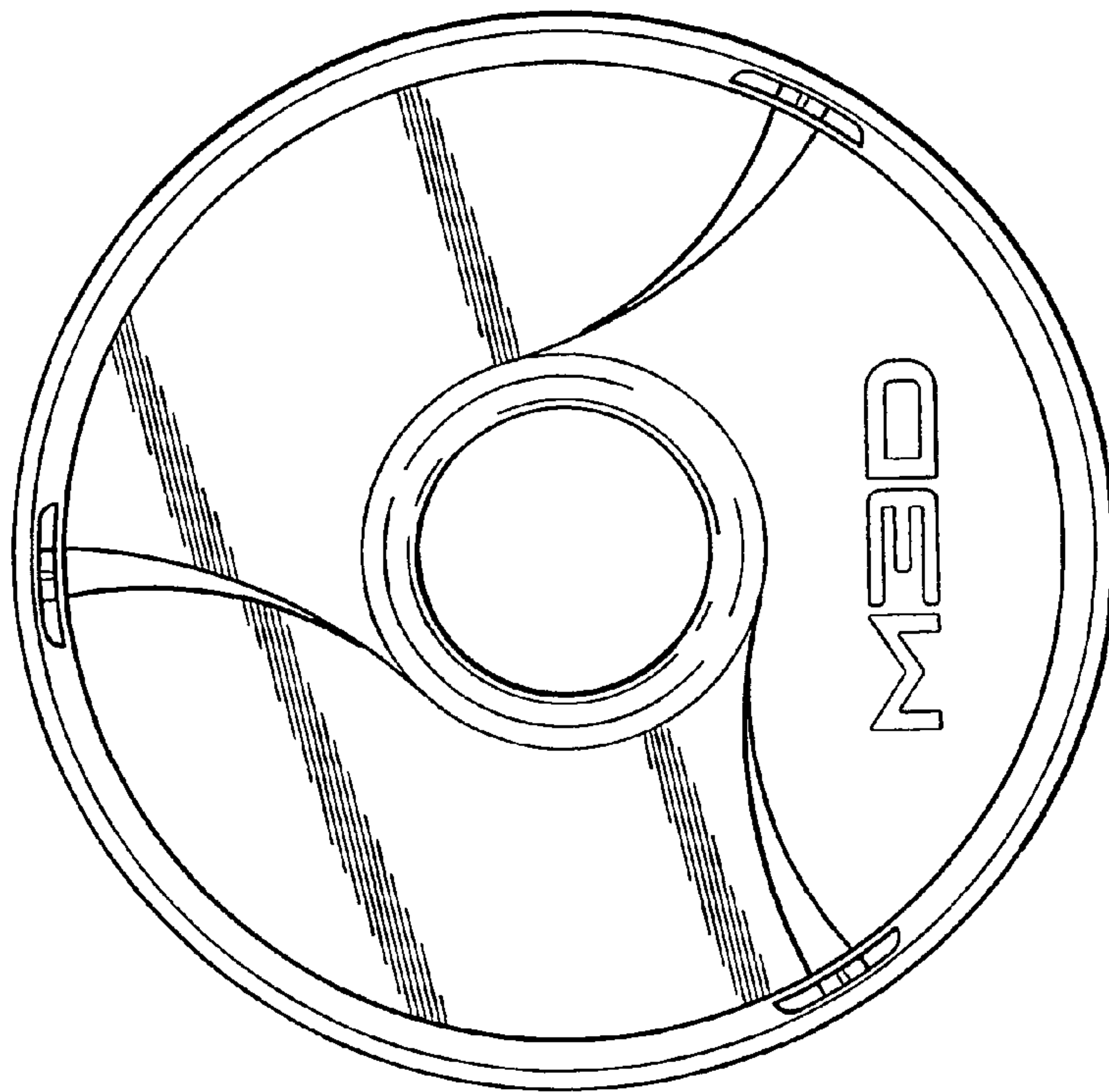




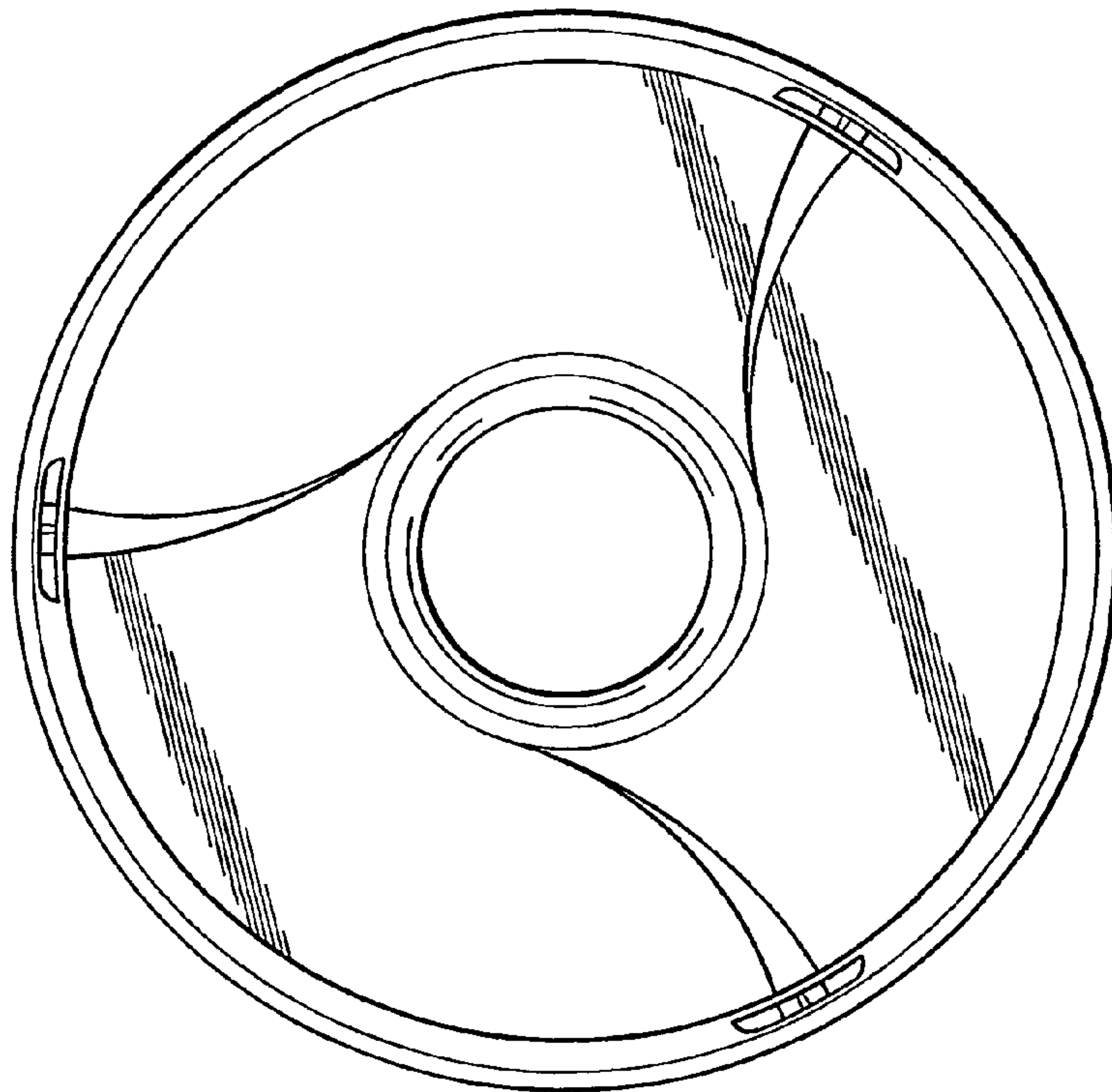
**FIG. 1**



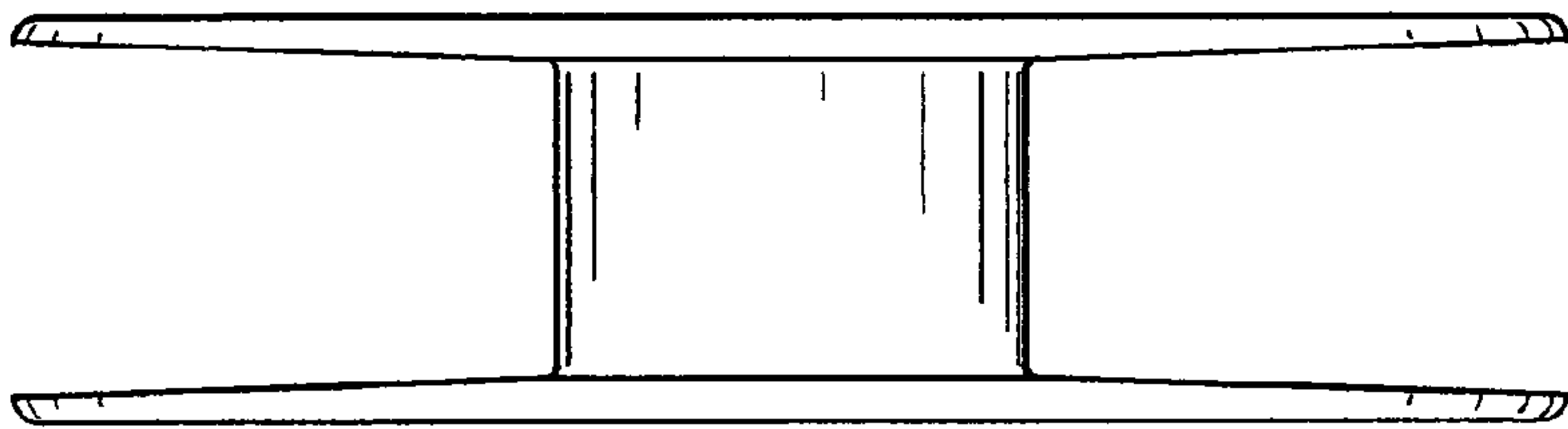
**FIG. 2**



**FIG. 3**



**FIG. 4**



**FIG. 5**



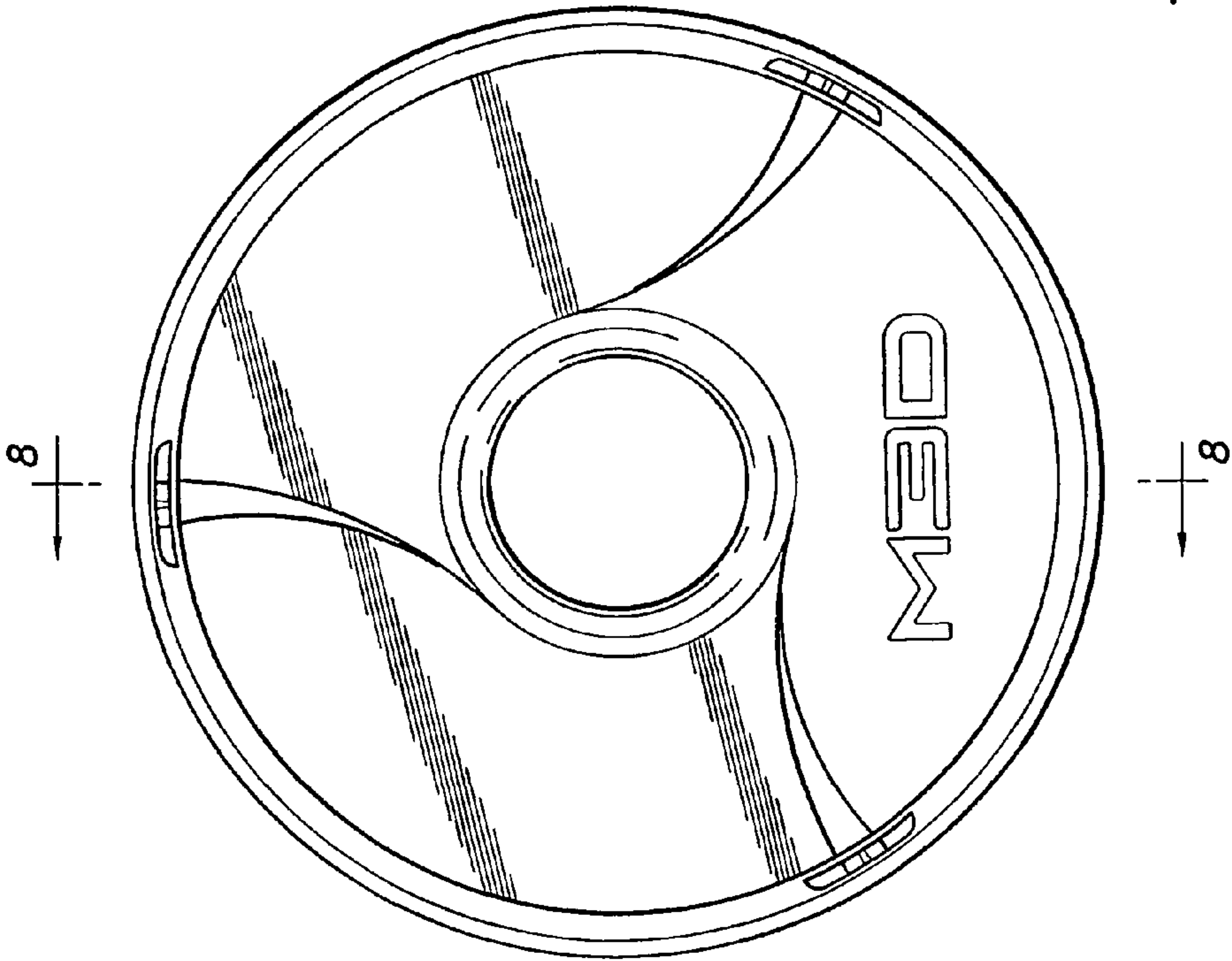
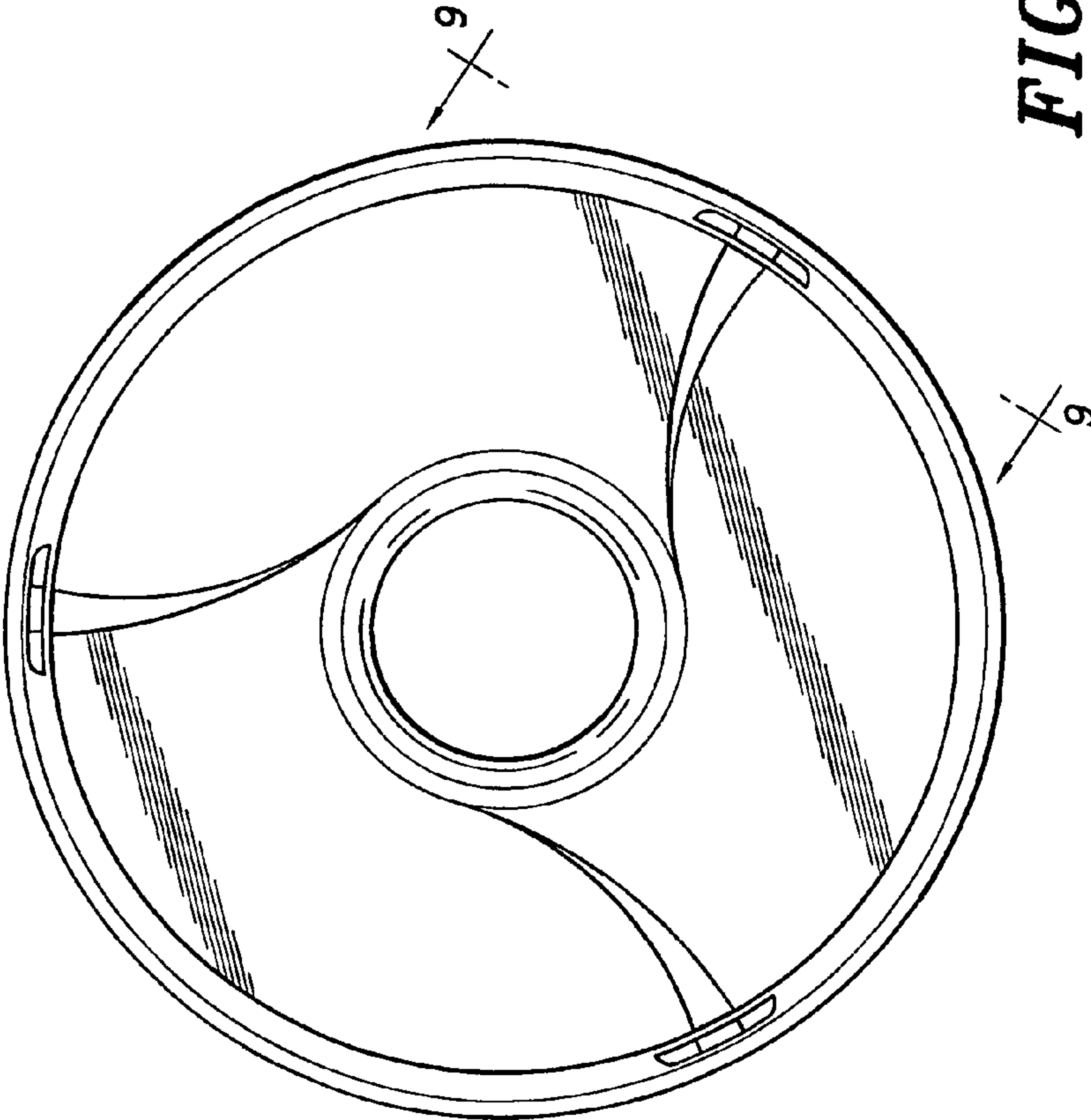
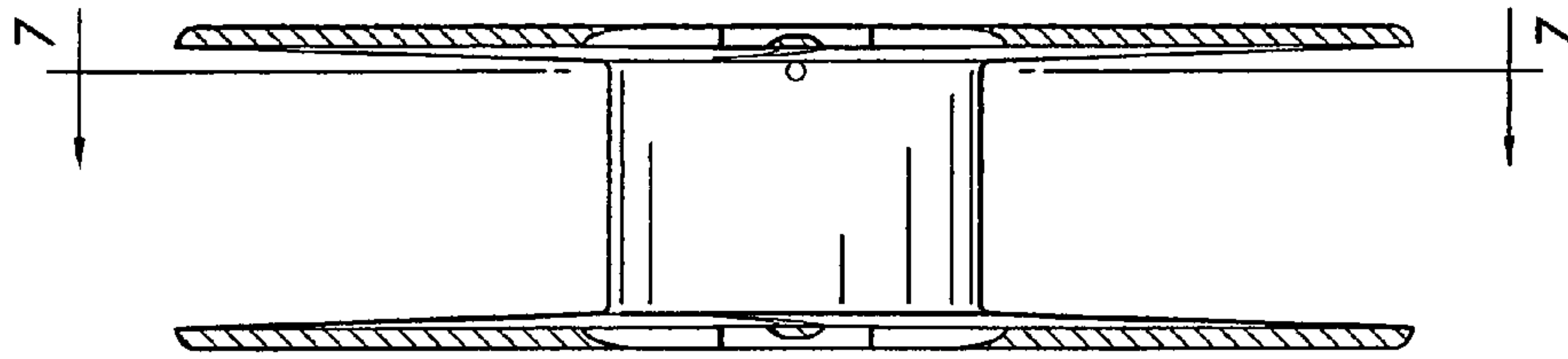


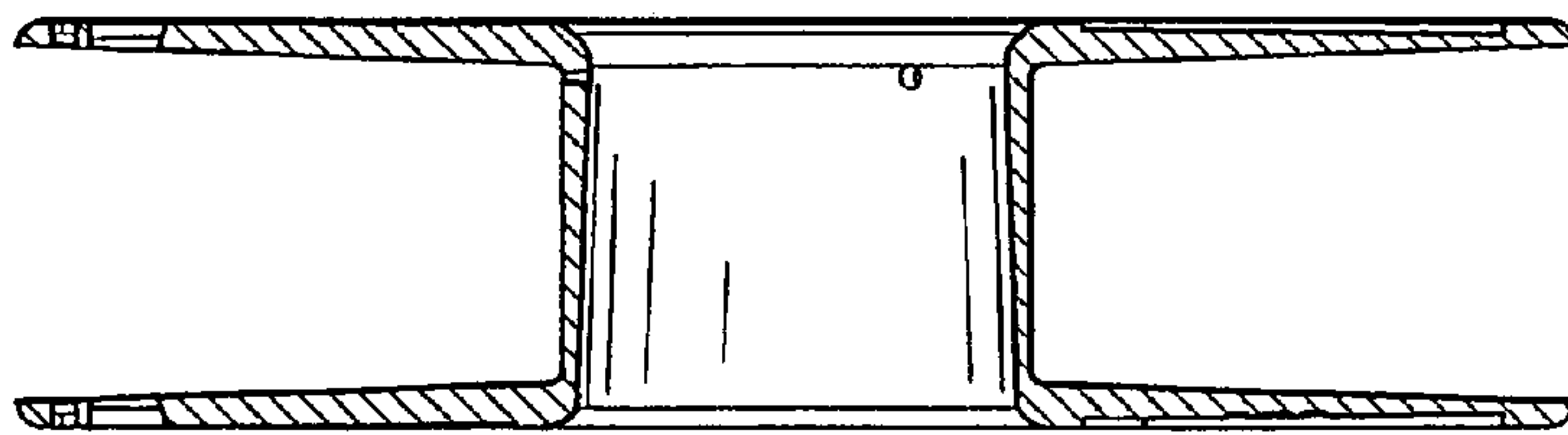
FIG. 6



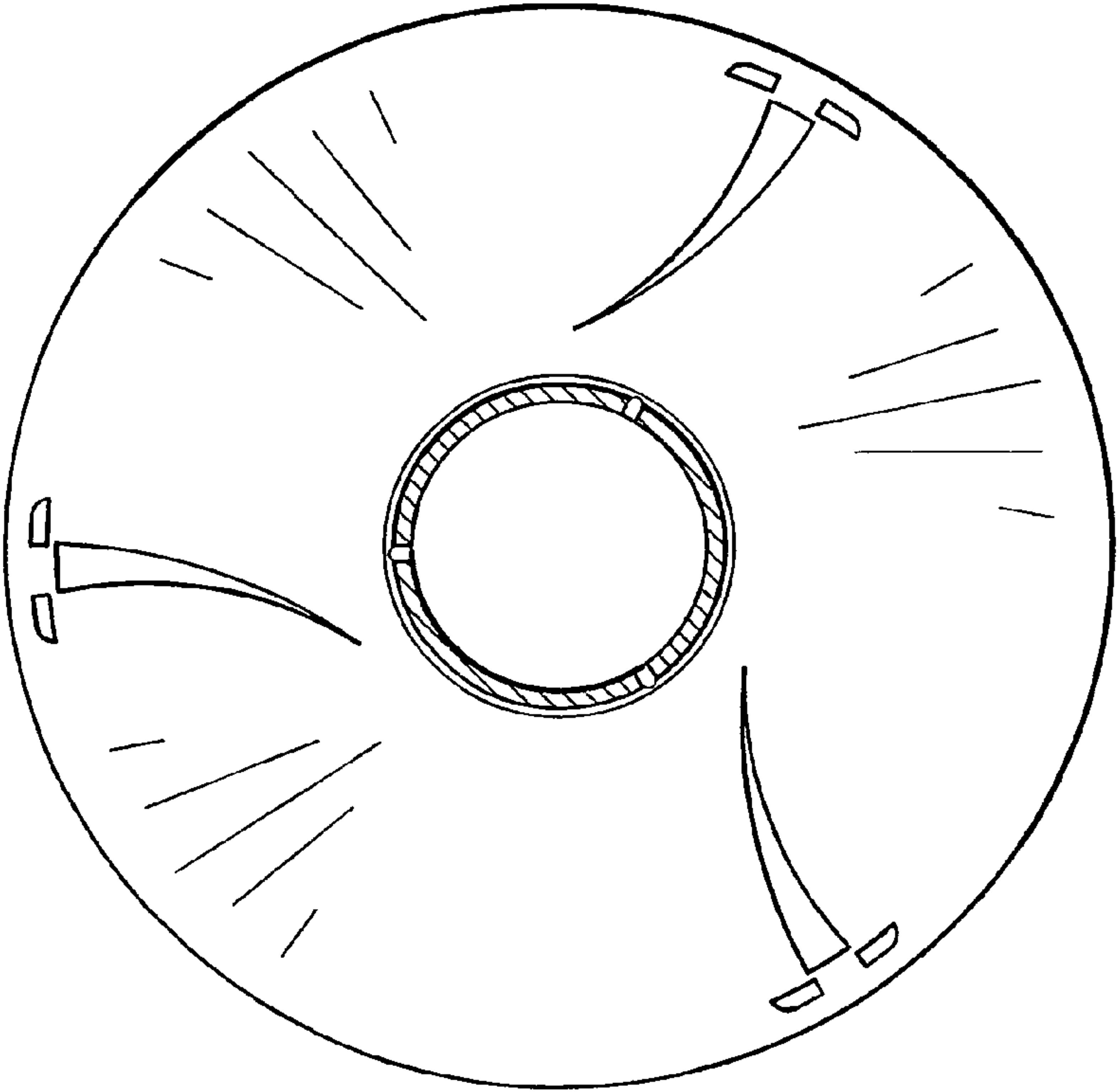




**FIG. 9**



**FIG. 8**



**FIG. 10**