



US00D740106S

(12) **United States Design Patent**
Cooper

(10) **Patent No.:** **US D740,106 S**

(45) **Date of Patent:** **** Oct. 6, 2015**

(54) **TIE DOWN HOLDER**

(71) Applicant: **Greg Cooper**, Jacksonville, FL (US)

(72) Inventor: **Greg Cooper**, Jacksonville, FL (US)

(**) Term: **14 Years**

(21) Appl. No.: **29/495,982**

(22) Filed: **Jul. 8, 2014**

(51) **LOC (10) Cl.** **08-05**

(52) **U.S. Cl.**
USPC **D8/356**

(58) **Field of Classification Search**
USPC D8/367, 354, 349; D6/323; 248/301
CPC F16B 2/00; A63B 27/00
See application file for complete search history.

(56) **References Cited**

U.S. PATENT DOCUMENTS

| | | | | | |
|-----------|------|---------|-------------------|-------|----------|
| 423,312 | A * | 3/1890 | Clark | | 24/134 R |
| 1,666,623 | A * | 4/1928 | Hoover | | 24/18 |
| D259,242 | S * | 5/1981 | Gilb | | D8/373 |
| 4,957,232 | A * | 9/1990 | Sprague | | 224/674 |
| D311,487 | S * | 10/1990 | Platt | | D8/396 |
| 5,234,185 | A * | 8/1993 | Hoffman et al. | | 248/56 |
| D390,447 | S * | 2/1998 | Colen, Jr. | | D8/356 |
| 6,092,444 | A * | 7/2000 | Hsiao | | 81/440 |
| 6,344,021 | B1 * | 2/2002 | Juster et al. | | 600/15 |
| D488,710 | S | 4/2004 | Holton | | |
| D494,450 | S * | 8/2004 | Schultz et al. | | D8/356 |
| 6,813,981 | B2 * | 11/2004 | Urban et al. | | 83/13 |
| D613,137 | S * | 4/2010 | Wieberdink et al. | | D8/14 |
| D624,378 | S * | 9/2010 | Wysopal | | D8/40 |
| D627,632 | S * | 11/2010 | Elmer et al. | | D8/383 |
| 8,079,116 | B2 | 12/2011 | Ayers et al. | | |
| 8,099,836 | B2 | 1/2012 | Breeden et al. | | |
| D657,564 | S * | 4/2012 | Baker | | D3/328 |
| D660,740 | S * | 5/2012 | Cullen et al. | | D11/3 |

| | | | | | |
|--------------|------|---------|------------------|-------|---------|
| D662,087 | S * | 6/2012 | Peller | | D14/223 |
| D684,845 | S * | 6/2013 | Wood | | D8/356 |
| 8,459,912 | B2 | 6/2013 | Siegenthaler | | |
| 8,615,849 | B2 * | 12/2013 | Rothbaum et al. | | 24/16 R |
| D703,516 | S | 4/2014 | Wood | | |
| D710,969 | S * | 8/2014 | Bradford et al. | | D23/209 |
| D717,132 | S * | 11/2014 | Van Dyke | | D7/708 |
| D724,935 | S * | 3/2015 | Warner | | D8/356 |
| D729,045 | S * | 5/2015 | Cavanaugh et al. | | D8/356 |
| D730,160 | S * | 5/2015 | Rothbaum et al. | | D8/356 |
| D731,296 | S * | 6/2015 | Nelson et al. | | D8/356 |
| D732,933 | S * | 6/2015 | Jansen | | D8/356 |
| 2014/0130310 | A1 | 5/2014 | Roth | | |

* cited by examiner

Primary Examiner — Cynthia Underwood

(74) *Attorney, Agent, or Firm* — Lawrence J. Gibney, Jr.; Mitch Ghaneie

(57) **CLAIM**

The ornamental design for tie down holder, as shown and described.

DESCRIPTION

FIG. 1 is an isometric view from the top of a tie down holder showing my new design;

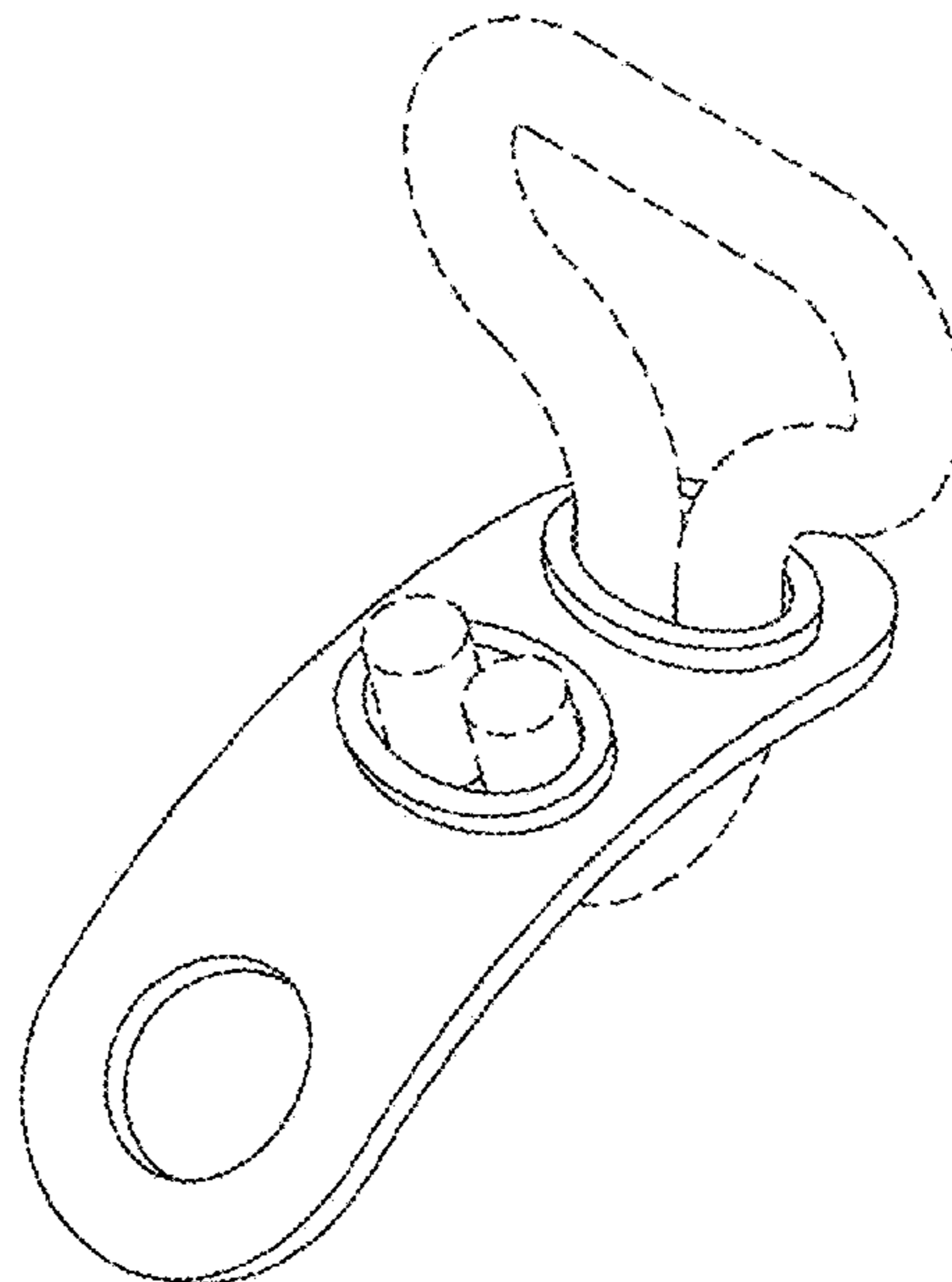
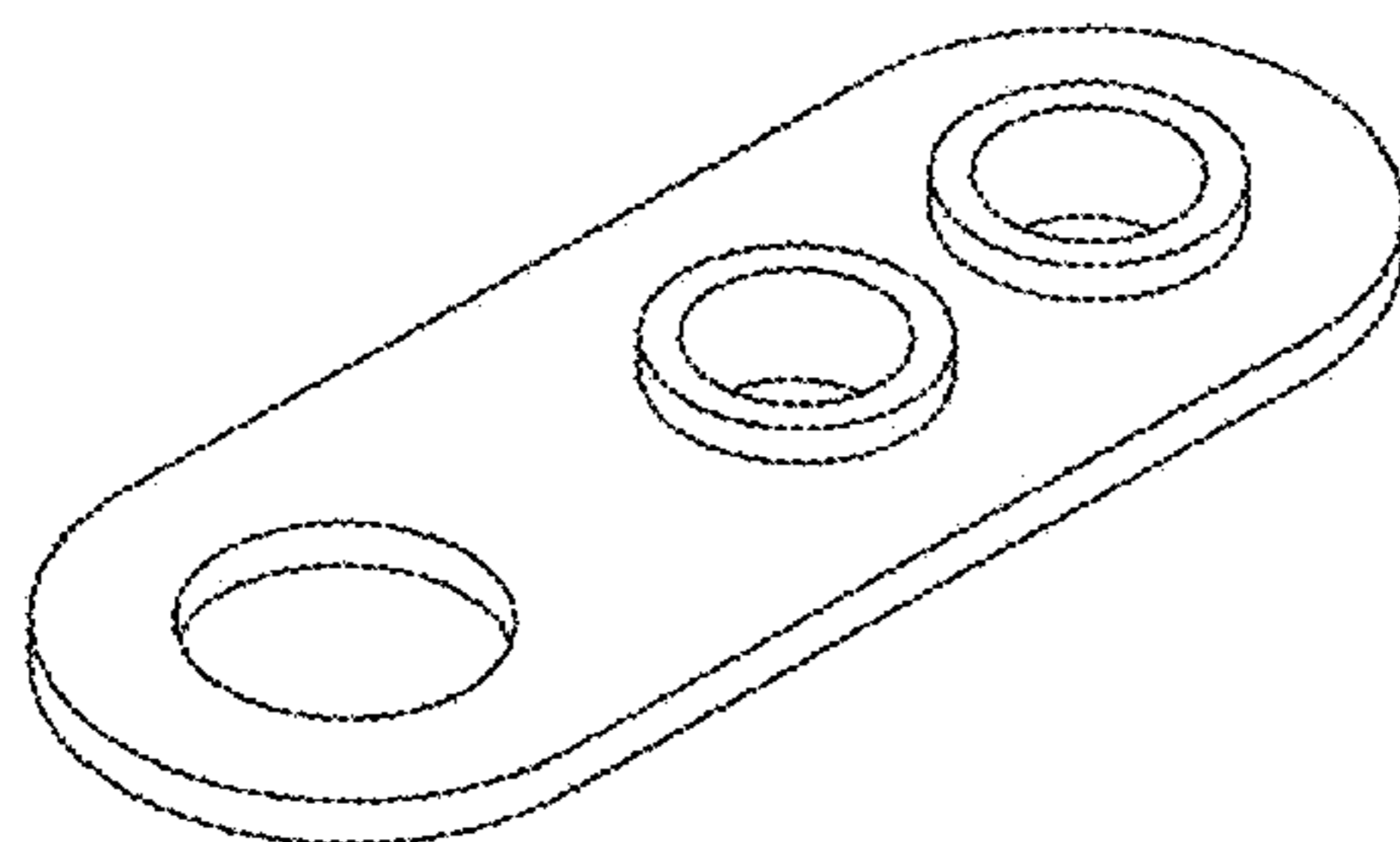
FIG. 2 is an isometric view from the top of a tie down holder shown in an alternate configuration of use and depicting a hook in broken lines;

FIG. 3 is an isometric view from the bottom of a tie down holder shown in an alternate configuration of use and depicting a hook in broken lines; and,

FIG. 4 is a side elevational view shown in an alternate configuration of use and with a hook in broken lines.

The broken lines in the drawings depicting a hook are environmental subject matter only and form no part of the claimed design.

1 Claim, 4 Drawing Sheets



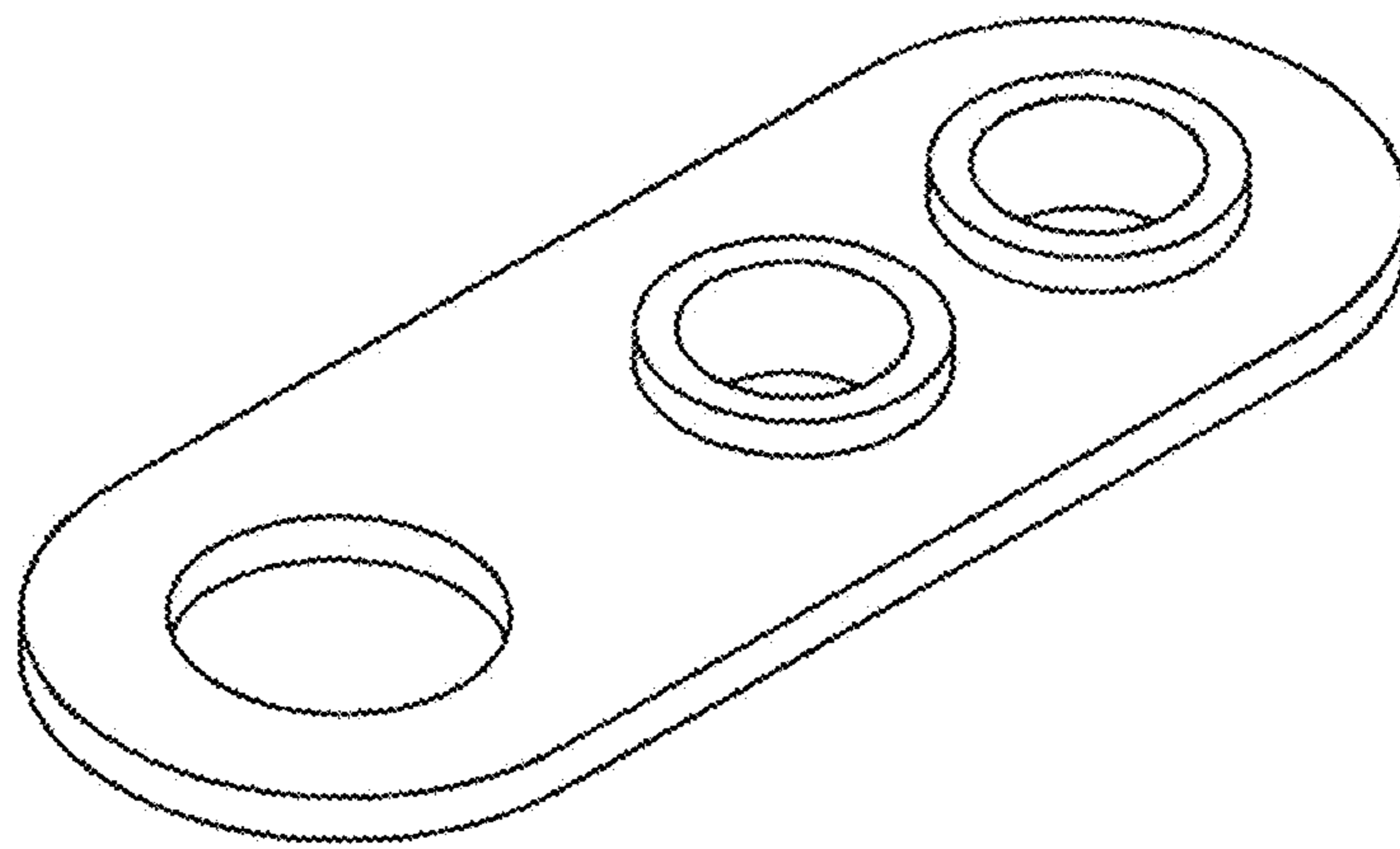


FIG. 1

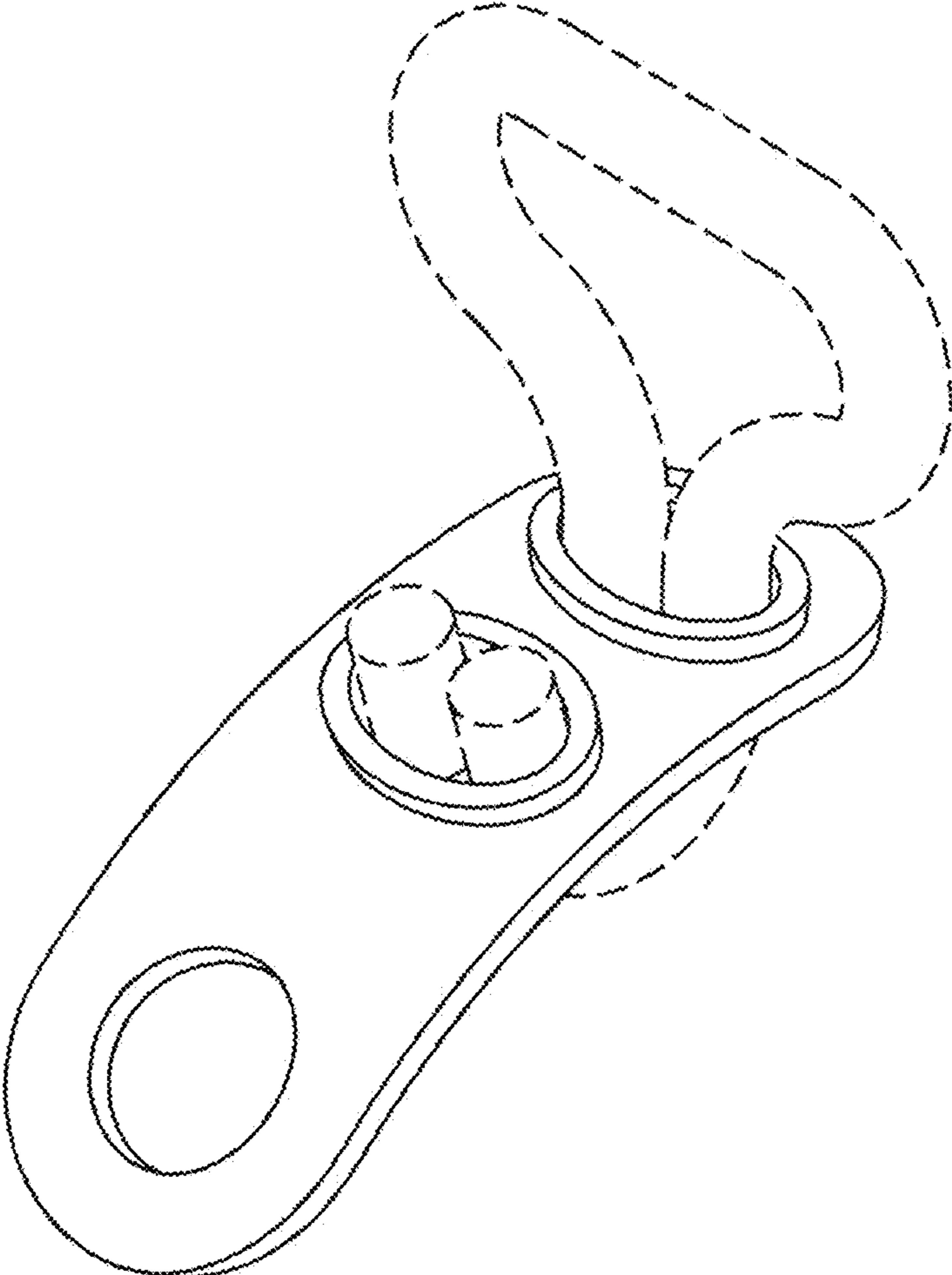


FIG. 2

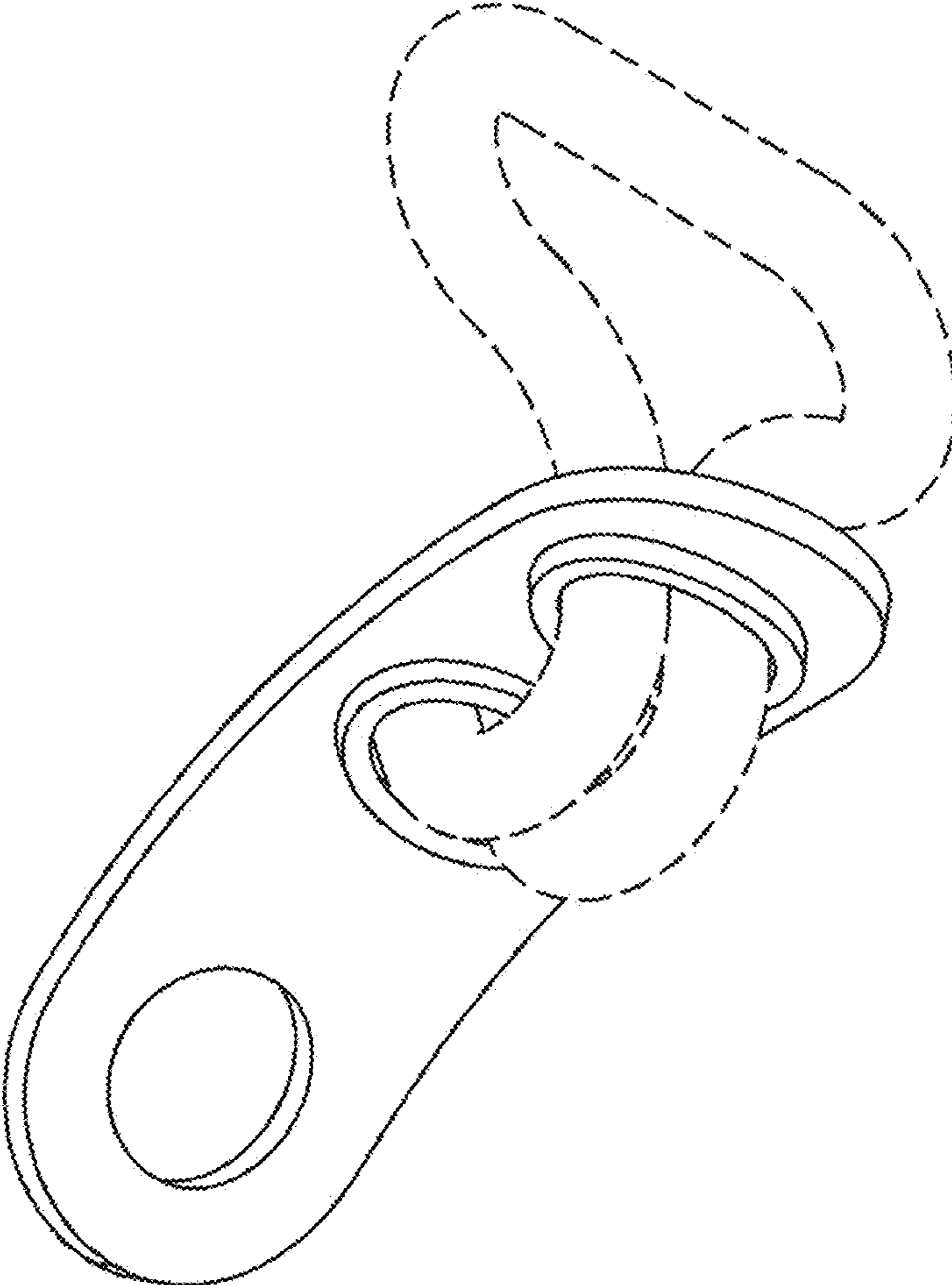


FIG. 3

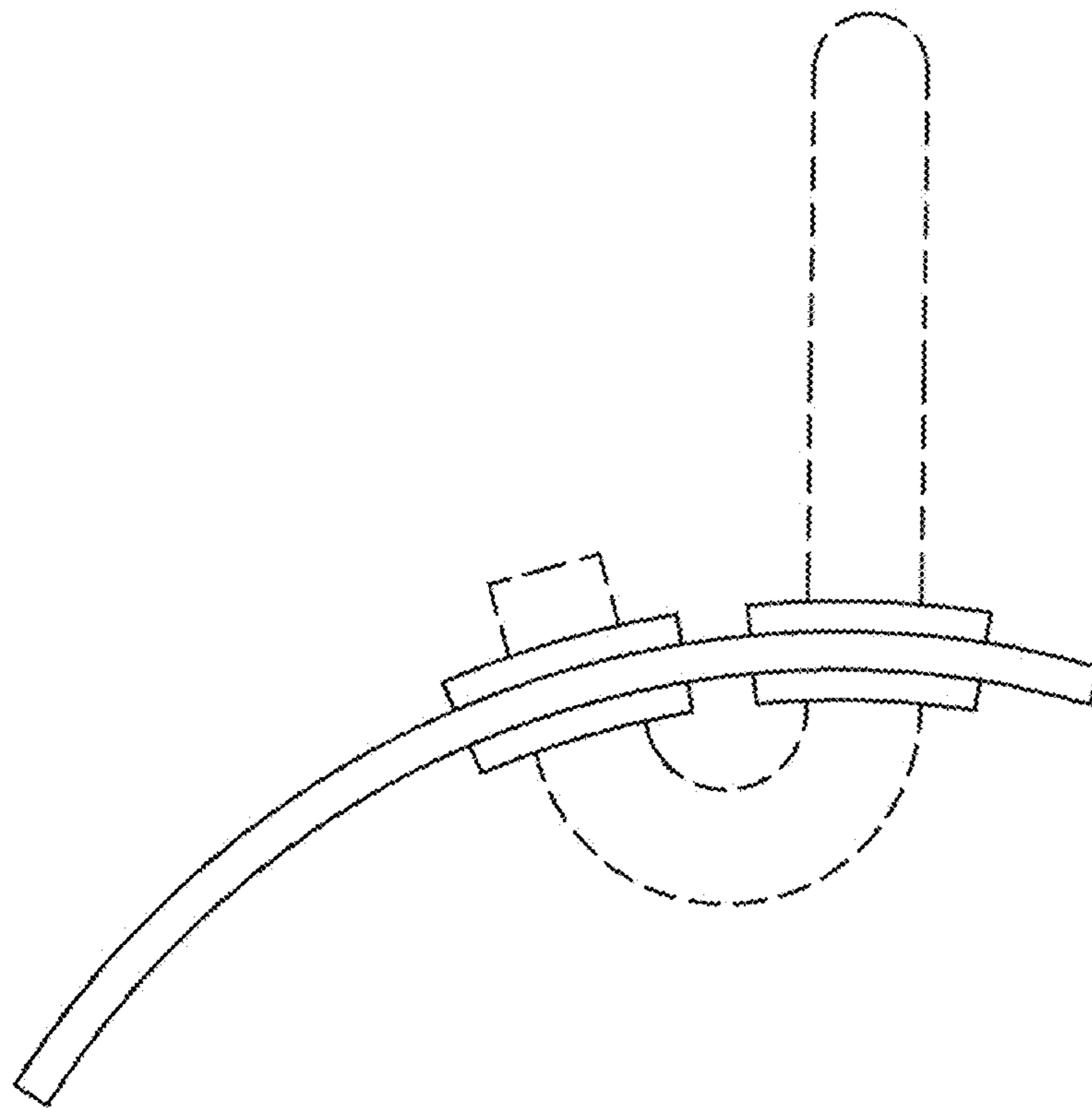


FIG. 4