



US00D740105S

(12) **United States Design Patent**
Kelleghan

(10) **Patent No.:** **US D740,105 S**
(45) **Date of Patent:** **** Oct. 6, 2015**

- (54) **CARABINER WITH STRAP ATTACHMENT**
- (71) Applicant: **Bison Designs LLC**, Longmont, CO (US)
- (72) Inventor: **Brian James Kelleghan**, Longmont, CO (US)
- (73) Assignee: **Bison Designs, LLC**, Longmont, CO (US)

D520,345 S *	5/2006	Kelleghan	D8/356
D521,362 S *	5/2006	Kelleghan	D8/356
D551,788 S *	9/2007	Bao	D26/38
D595,119 S *	6/2009	Kelleghan	D8/356
D609,078 S	2/2010	Kelleghan		
D628,873 S	12/2010	Kelleghan		
D637,478 S	5/2011	Kalbach		
D657,660 S *	4/2012	Petty et al.	D8/356
D659,518 S *	5/2012	Xu	D8/356
D670,154 S	11/2012	Kelleghan		
D670,555 S *	11/2012	Lin	D8/367
D724,935 S *	3/2015	Warner	D8/356

- (**) Term: **14 Years**
- (21) Appl. No.: **29/479,852**
- (22) Filed: **Jan. 21, 2014**
- (51) **LOC (10) Cl.** **08-05**
- (52) **U.S. Cl.**
USPC **D8/356**
- (58) **Field of Classification Search**
USPC D8/367, 356, 371, 373, 354, 355, 349;
D6/323; D3/24; 248/215, 301, 339,
248/349.1; 160/349.2; 24/265 H, 265 R,
24/599.1, 599.8, 113 R, 573.5; 294/82.18;
29/525.1, 45.3; 223/106; D14/432,
D14/140, 217
CPC A45F 3/00; A63B 27/00
See application file for complete search history.

OTHER PUBLICATIONS

U.S. Appl. No. 29/4759,291, filed Jun. 27, 2013; First Named Inventor: Brian James Kelleghan.

* cited by examiner

Primary Examiner — Cynthia Underwood
(74) *Attorney, Agent, or Firm* — Margaret Polson; Polson Intellectual Property Law, PC

CLAIM

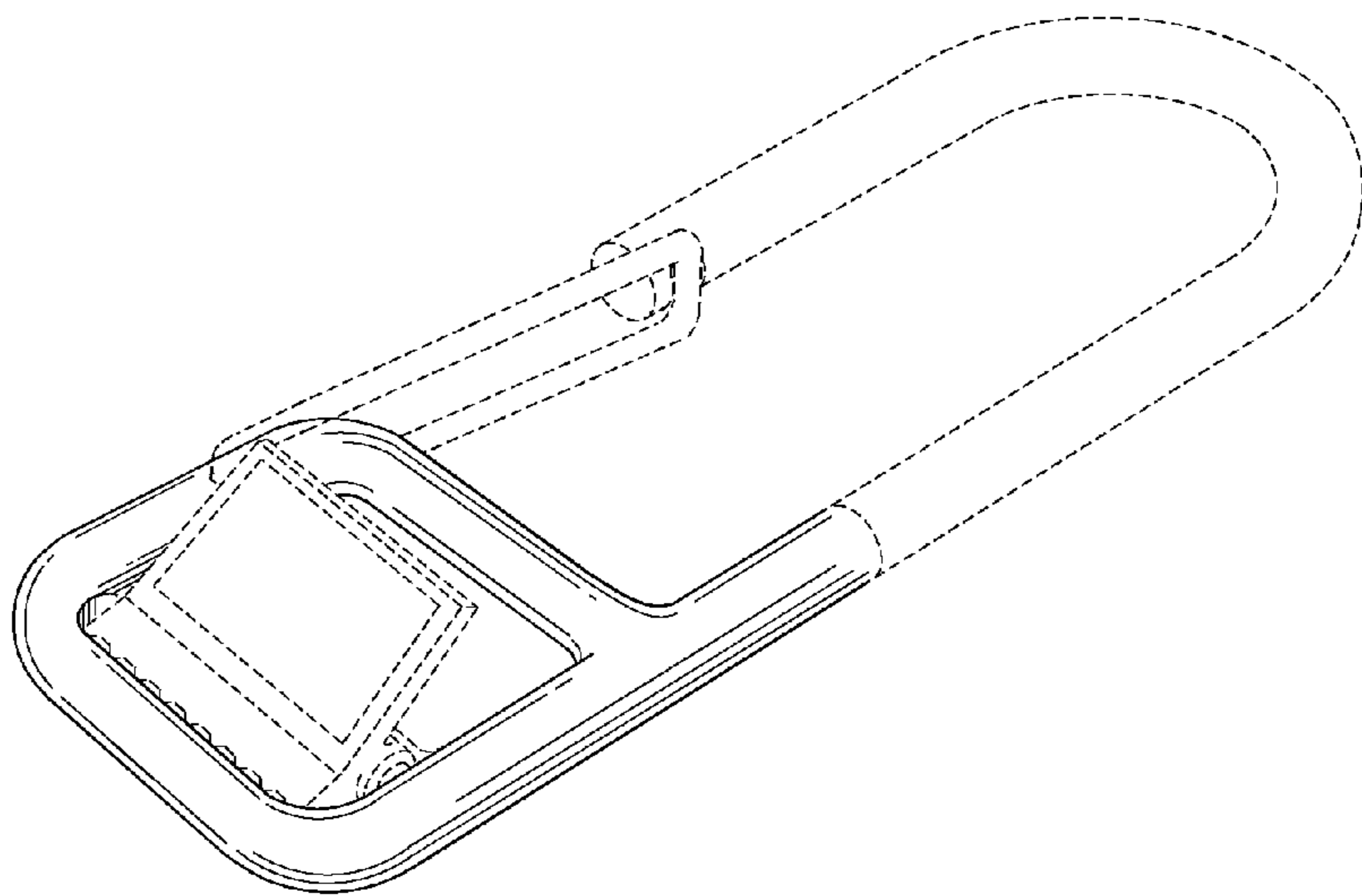
(57) The ornamental design for a carabiner with strap attachment, as shown and described.

DESCRIPTION

FIG. 1 is a front side elevation view of my new design for a carabiner with strap attachment.
FIG. 2 is a back side elevation view of FIG. 1.
FIG. 3 is a right side elevation view of FIG. 1.
FIG. 4 is a left side elevation view of FIG. 1.
FIG. 5 is a top side plan view of FIG. 1.
FIG. 5 is a bottom side plan view of FIG. 1; and,
FIG. 7 is a front side isometric view of FIG. 1.
The features shown in broken lines in the drawing depict environmental subject matter only and form no part of the claimed design.

- (56) **References Cited**
U.S. PATENT DOCUMENTS
- | | | | | |
|---------------|---------|------------|-------|--------|
| 4,712,646 A * | 12/1987 | Page | | 182/9 |
| D337,935 S * | 8/1993 | Hawley | | D8/367 |
| 5,291,638 A | 3/1994 | Huang | | |
| 5,920,963 A | 7/1999 | Chou | | |
| 5,937,490 A | 8/1999 | Mihailovic | | |
| D448,655 S | 10/2001 | Lai | | |
| D455,642 S * | 4/2002 | Kelleghan | | D8/367 |
| D466,791 S * | 12/2002 | Kelleghan | | D8/356 |

1 Claim, 2 Drawing Sheets



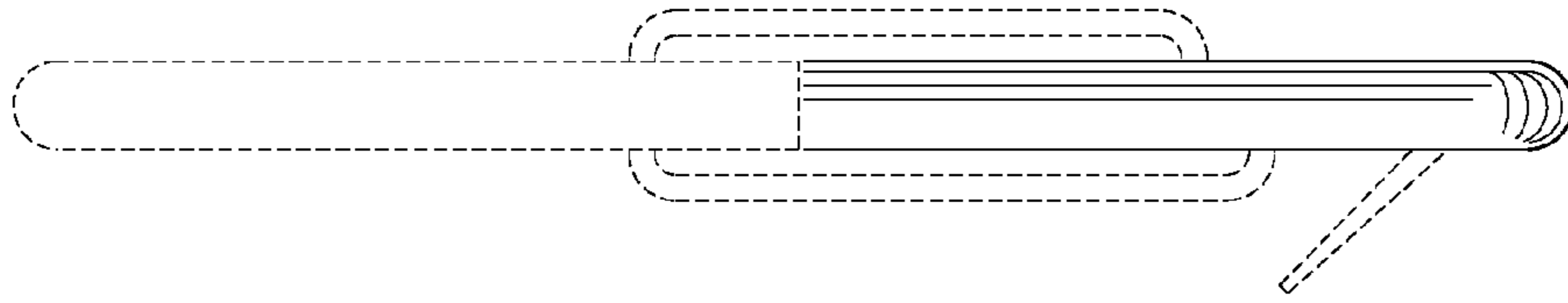


FIG.3

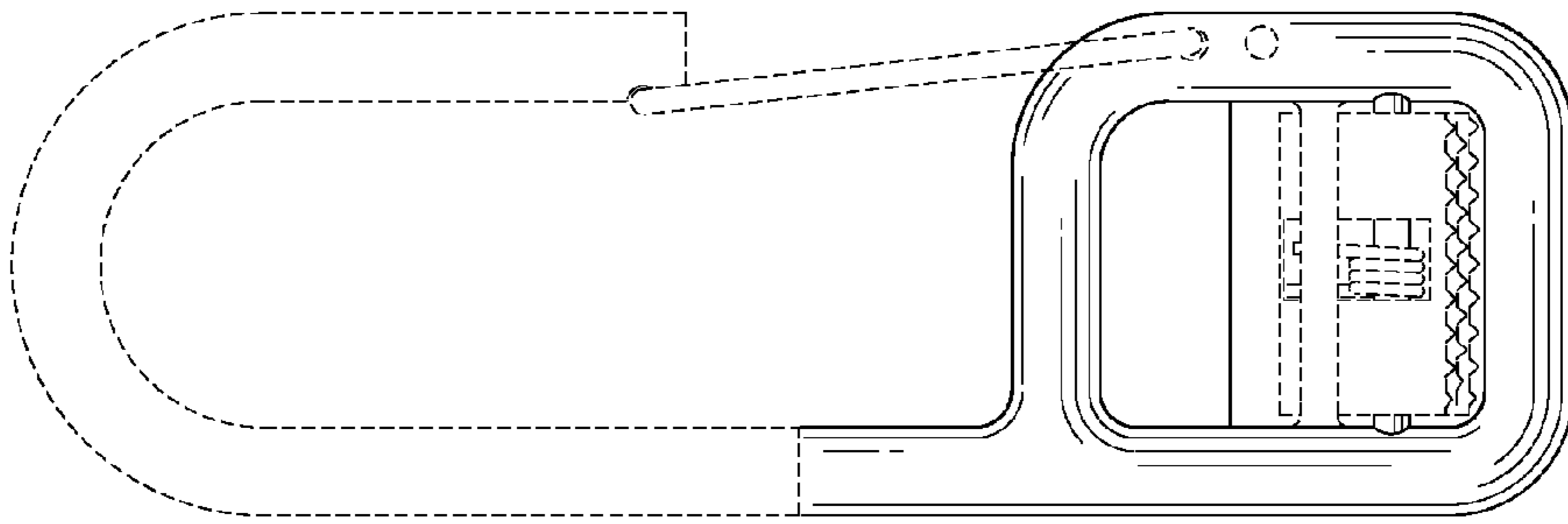


FIG.2

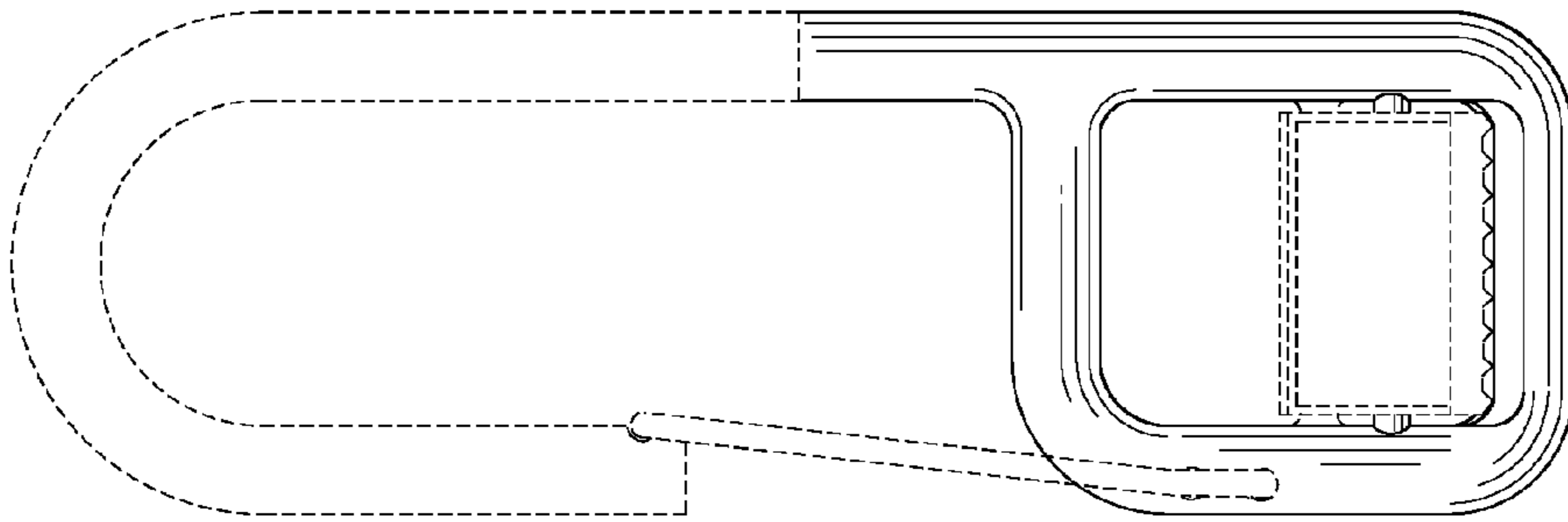


FIG.1

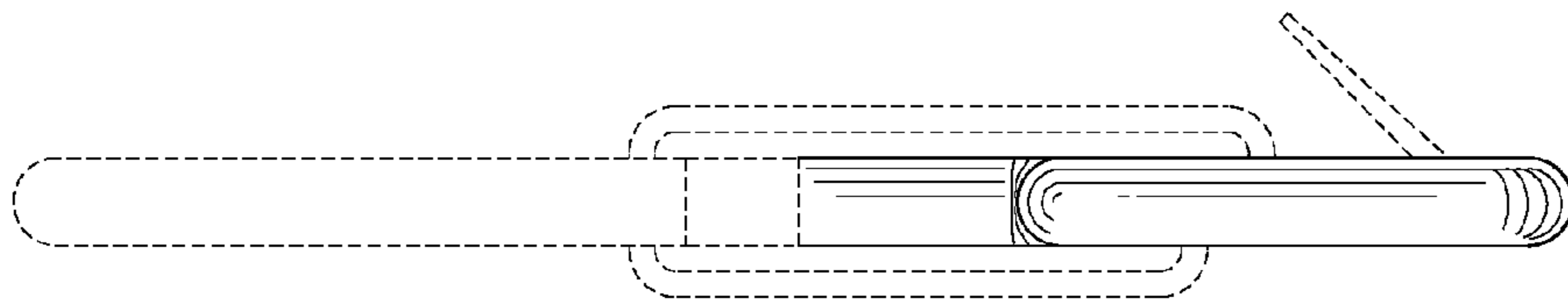


FIG.4

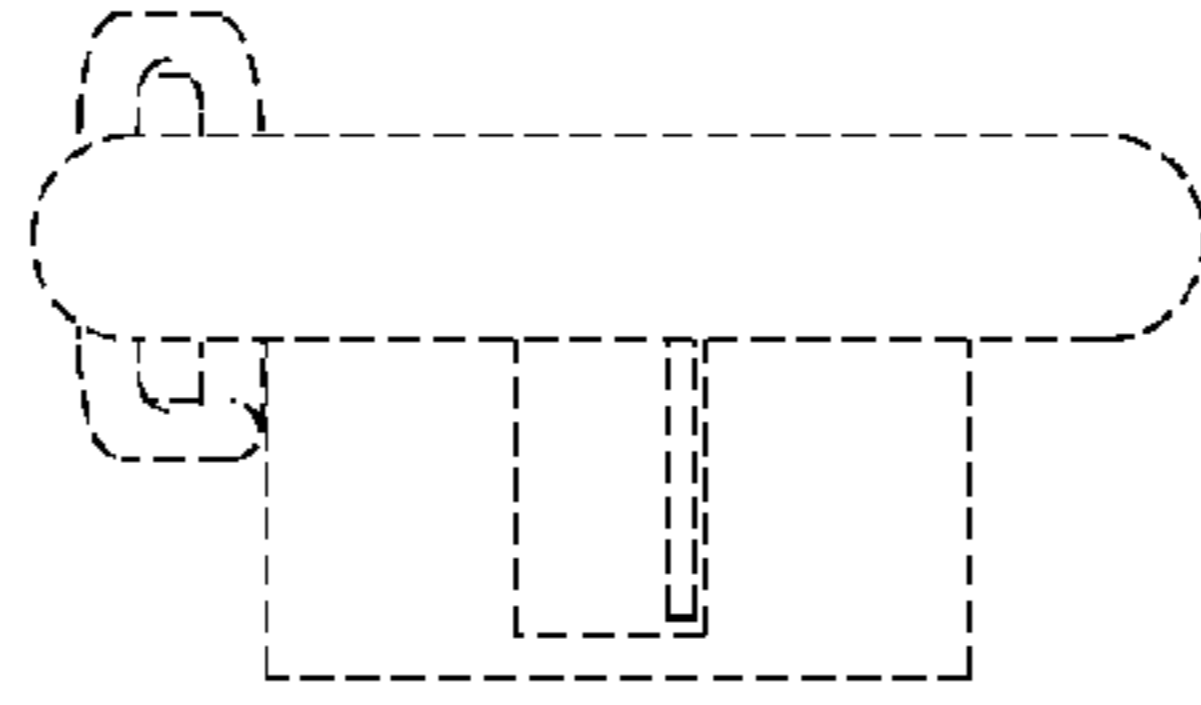


FIG. 5

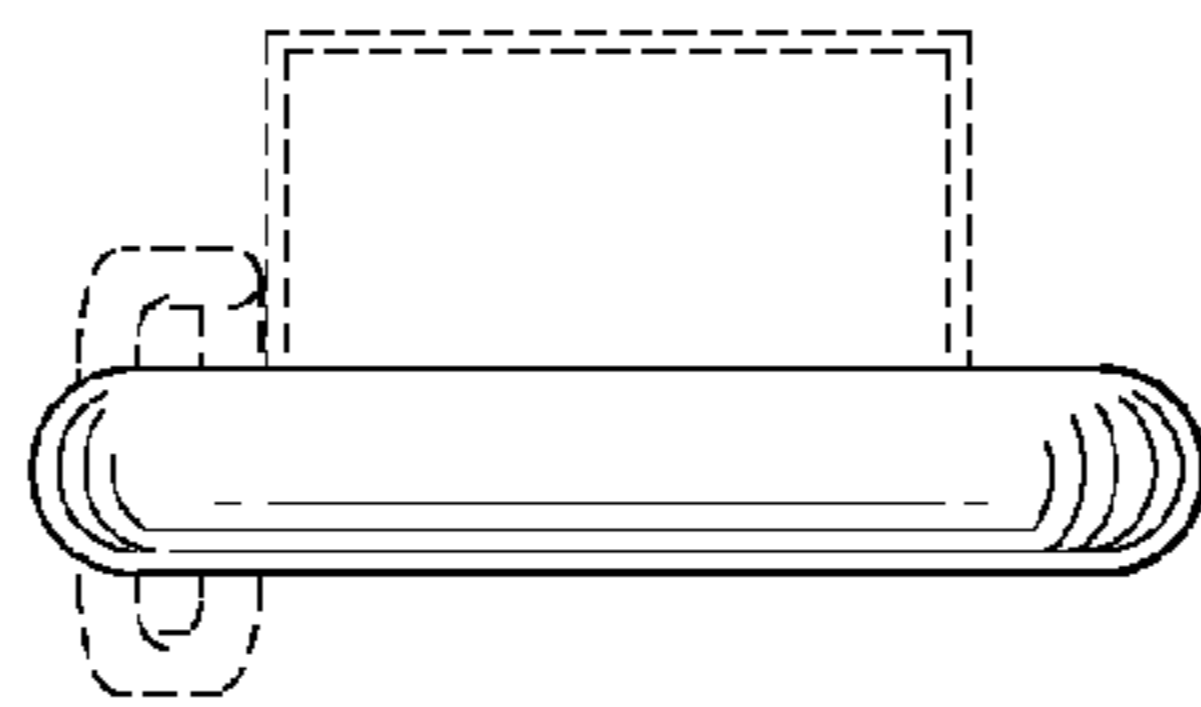


FIG. 6

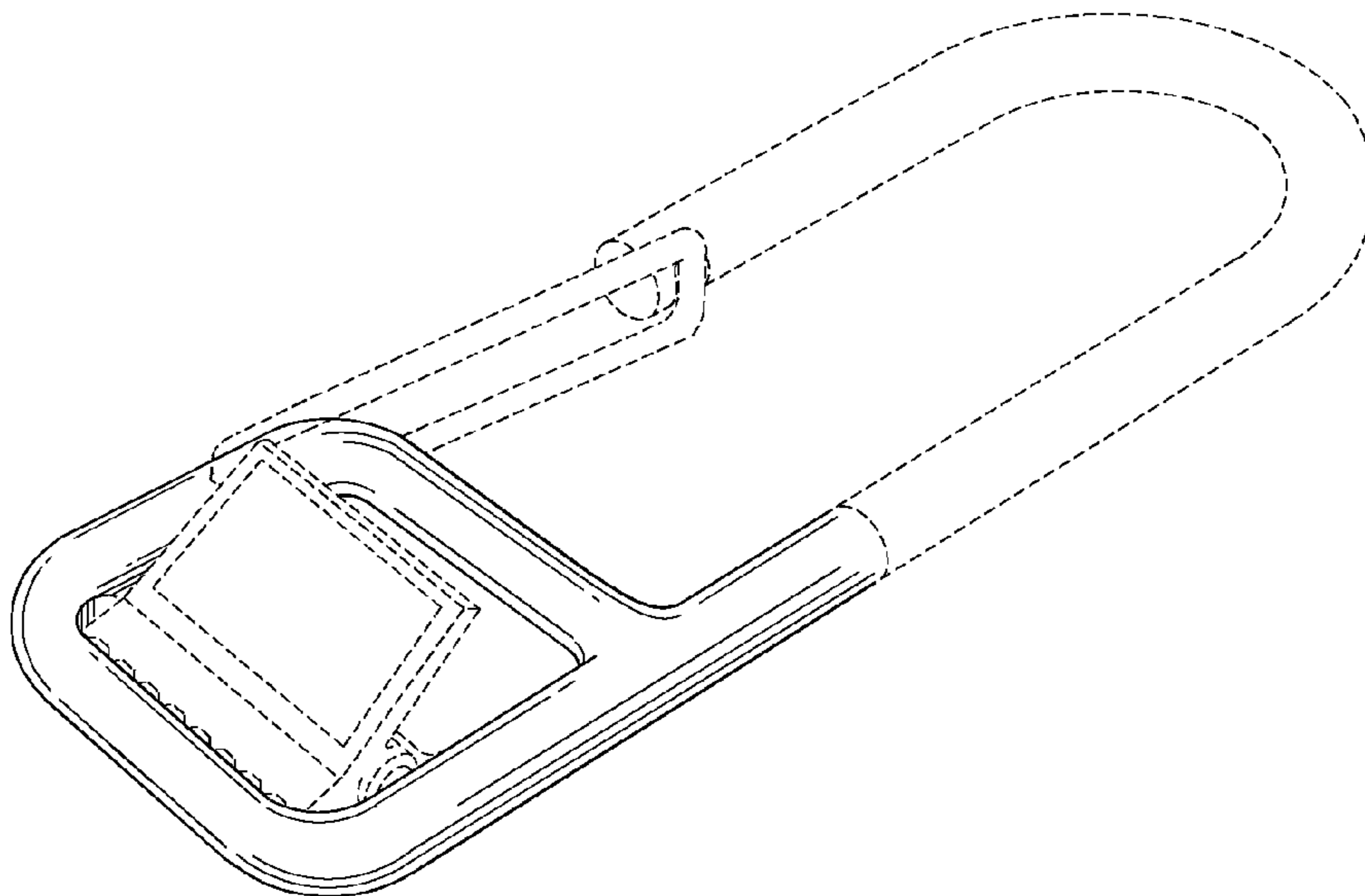


FIG. 7