



US00D740104S

(12) **United States Design Patent**
Morissette

(10) **Patent No.:** **US D740,104 S**
(45) **Date of Patent:** **** Oct. 6, 2015**

(54) **SHOWER PANEL GUIDE**

(71) Applicant: **Maax Bath Inc.**, Lachine (CA)

(72) Inventor: **Vincent Morissette**, Saint-Hubert (CA)

(**) Term: **14 Years**

(21) Appl. No.: **29/456,488**

(22) Filed: **May 31, 2013**

(51) **LOC (10) Cl.** **08-05**

(52) **U.S. Cl.**

USPC **D8/354**; D8/349

(58) **Field of Classification Search**

USPC D8/349, 354

CPC A47F 5/00; A47H 1/10; A47G 29/00;
A47G 29/08; A47B 97/00; A47K 3/14

See application file for complete search history.

(56) **References Cited**

U.S. PATENT DOCUMENTS

5,893,181 A 4/1999 Moncaster
5,911,519 A 6/1999 Eutebach
D649,863 S * 12/2011 Meyer D8/354
8,523,119 B1 * 9/2013 Greer et al. 248/65

FOREIGN PATENT DOCUMENTS

DE 37 25 543 A1 2/1989
DE 197 07 128 A1 11/1997
DE 196 43 102 A1 4/1998
DE 199 11 703 C1 12/2000
FR 2 754 698 A1 4/1998

WO 94/24917 A1 11/1994

* cited by examiner

Primary Examiner — Holly Baynham

(57) **CLAIM**

The ornamental design for a shower panel guide, as shown and described.

DESCRIPTION

FIG. 1 is a perspective view of a shower panel guide, according to a first embodiment of our new design, with a transparent shower wall panel and a transparent shower door shown in dotted lines;

FIG. 2 is another perspective view of the shower panel guide shown in FIG. 1, without the wall panel and shower door;

FIG. 3 is a front view of the shower panel guide shown in FIG. 2;

FIG. 4 is a rear view of the shower panel guide shown in FIG. 2;

FIG. 5 is a right side view of the shower panel guide shown in FIG. 2;

FIG. 6 is a left side view of the shower panel guide shown in FIG. 2;

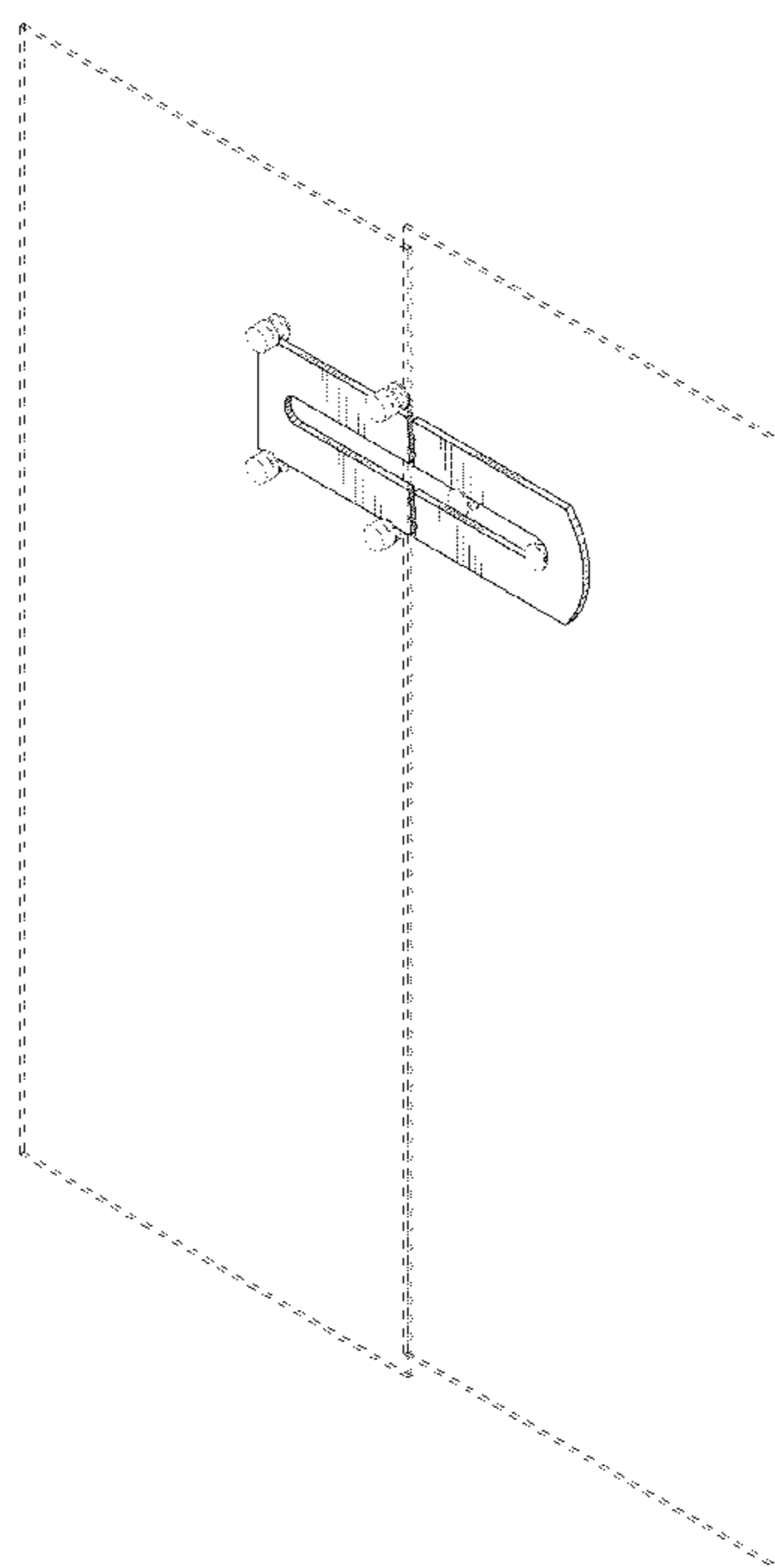
FIG. 7 is a top view of the shower panel guide shown in FIG. 2; and,

FIG. 8 is a bottom view of the shower panel guide shown in FIG. 2.

The broken lines showing shower panels are for the purpose of illustrating environment and forms no part of the claimed design.

The broken away symbols in the drawings indicate that any portion of the article beyond what is shown forms no part of the claimed design.

1 Claim, 3 Drawing Sheets



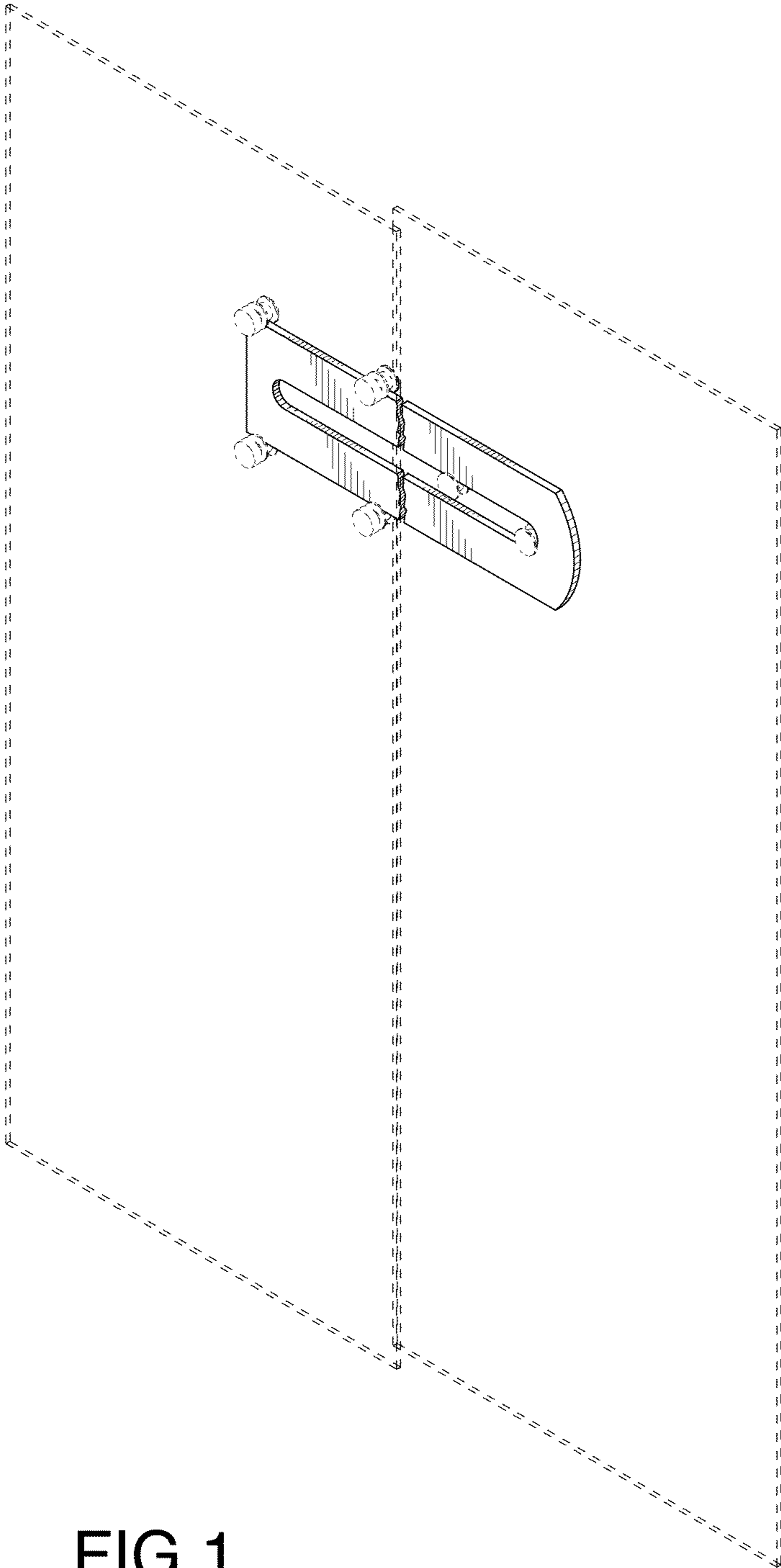


FIG. 1

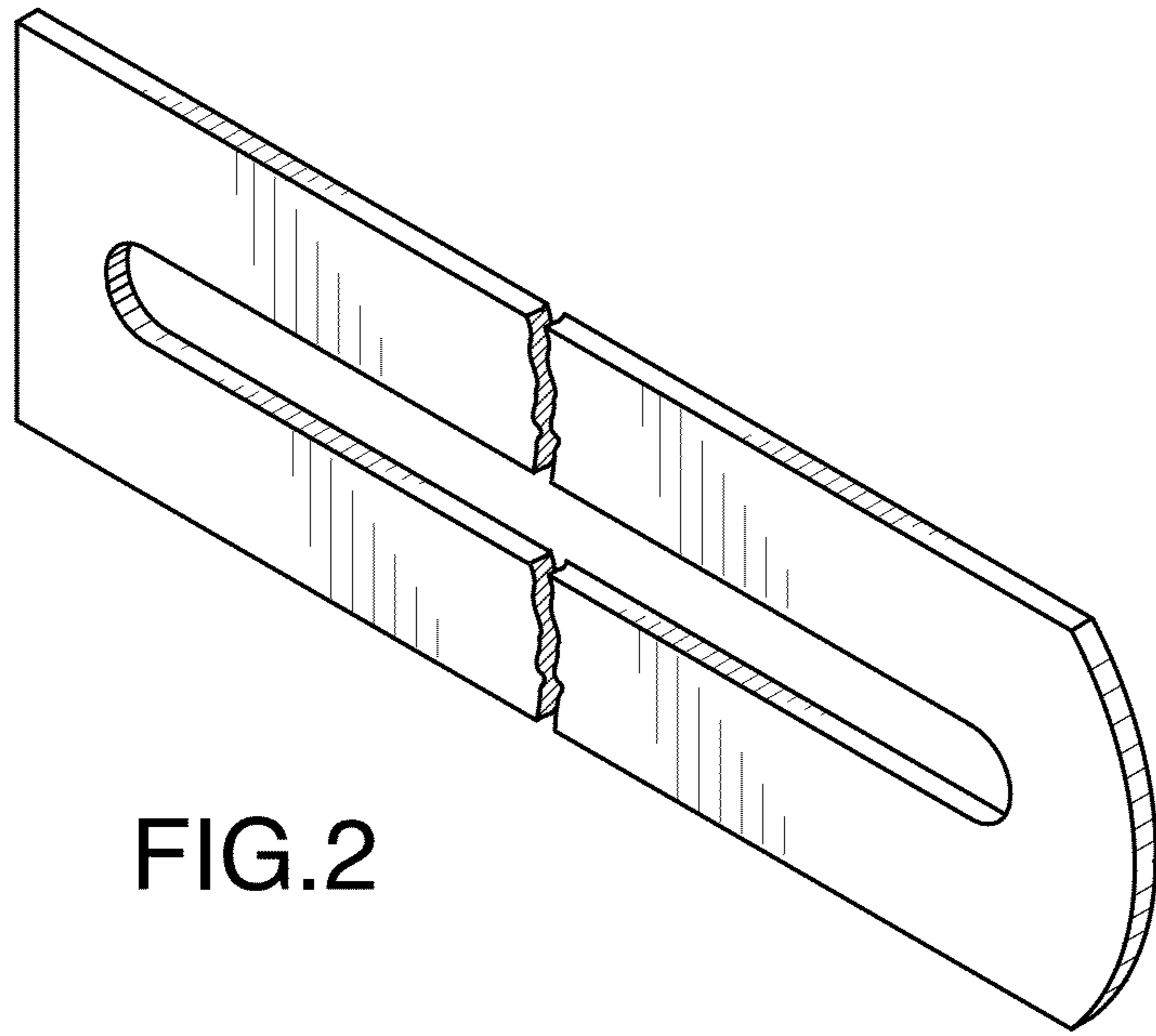


FIG. 2

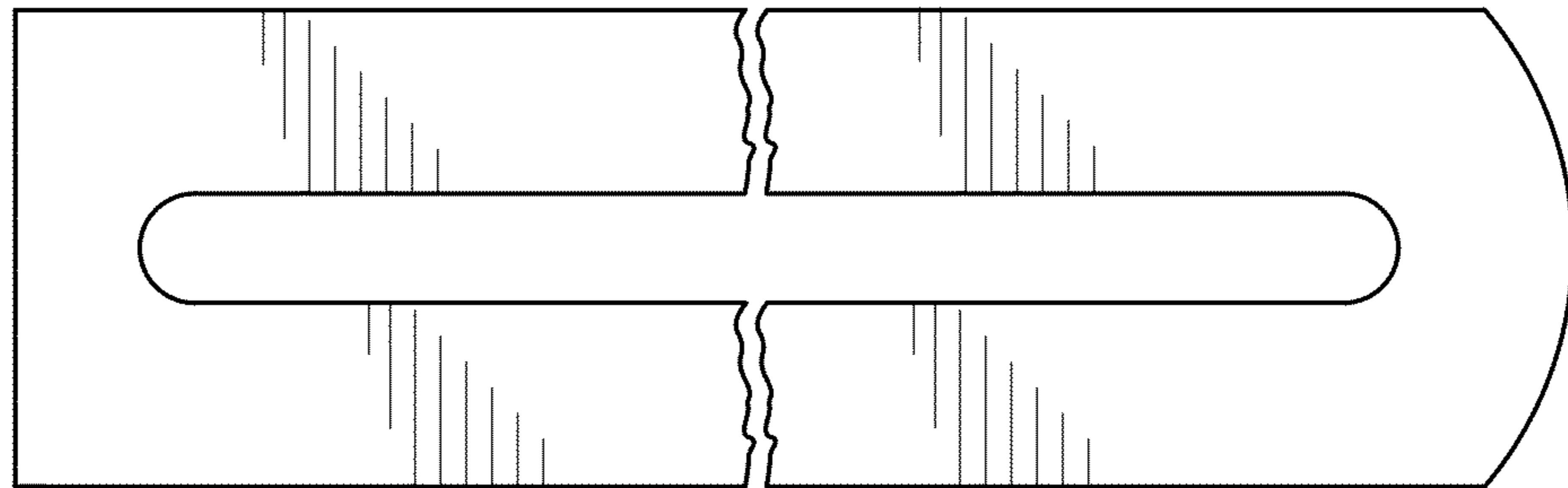


FIG. 3

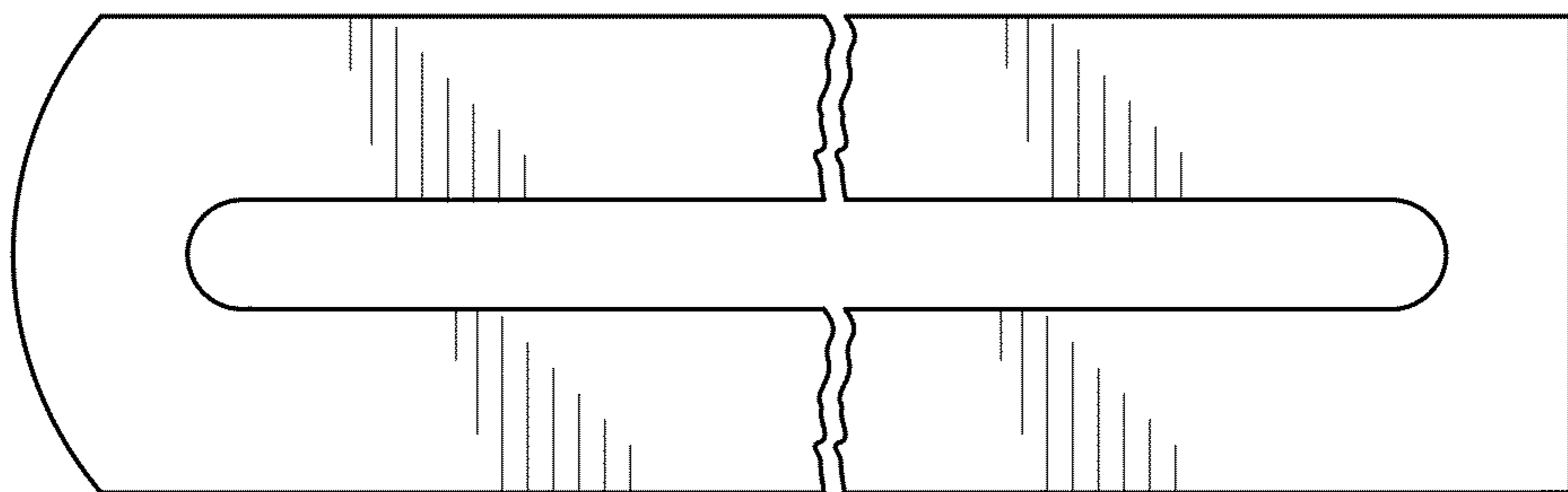


FIG. 4

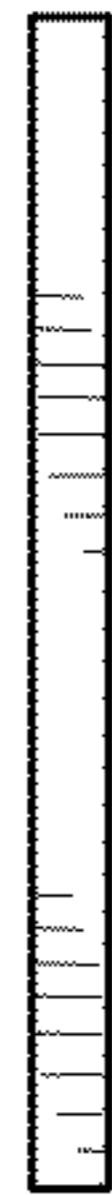


FIG.5



FIG.6

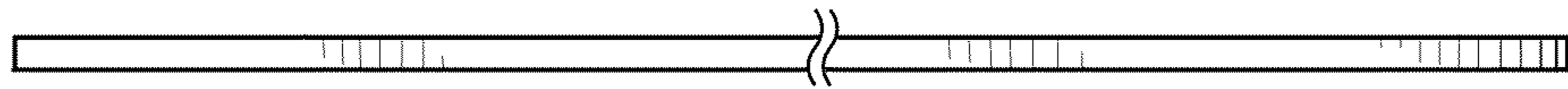


FIG.7

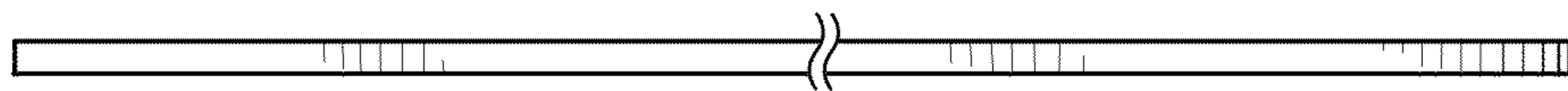


FIG.8