



US00D740102S

(12) **United States Design Patent**
Belokin

(10) **Patent No.:** **US D740,102 S**

(45) **Date of Patent:** **** Oct. 6, 2015**

- (54) **INTEGRATED SUCTION CUPS**
- (71) Applicant: **Displays by Martin Paul, Inc.—Creative Center**, Denton, TX (US)
- (72) Inventor: **Paul Belokin**, Denton, TX (US)
- (73) Assignee: **DISPLAYS BY MARTIN PAUL, INC.—CREATIVE CENTER**, Denton, TX (US)
- (**) Term: **14 Years**
- (21) Appl. No.: **29/444,232**
- (22) Filed: **Jan. 28, 2013**
- (51) **LOC (10) Cl.** **08-08**
- (52) **U.S. Cl.**
USPC **D8/349**
- (58) **Field of Classification Search**
USPC D8/349, 352–354, 373, 382, 499;
D26/13, 118, 128; 403/169; 248/309.1,
248/206.2, 205.5, 316.7, 206.5, 363;
52/582.1, 586.1, 650.3, 702, 712
CPC A63F 2003/00905; B60J 3/0247;
B25S 15/0683; B66C 1/0293; E05C 17/525;
Y10S 160/13; Y10S 292/28; F16B 47/00;
A45D 42/14
See application file for complete search history.

- 5,964,437 A 10/1999 Belokin et al.
- 6,131,865 A * 10/2000 Adams 248/206.2
- D470,613 S * 2/2003 Huang D26/28
- D576,865 S * 9/2008 Chiang et al. D8/349
- D629,281 S 12/2010 Belokin
- 2008/0083859 A1 4/2008 Belokin

* cited by examiner

Primary Examiner — Thomas Johannes

Assistant Examiner — Shawn T Gingrich

(74) *Attorney, Agent, or Firm* — Loveless Law Group, PLLC

(57) **CLAIM**

The ornamental design for integrated suction cups, as shown and described.

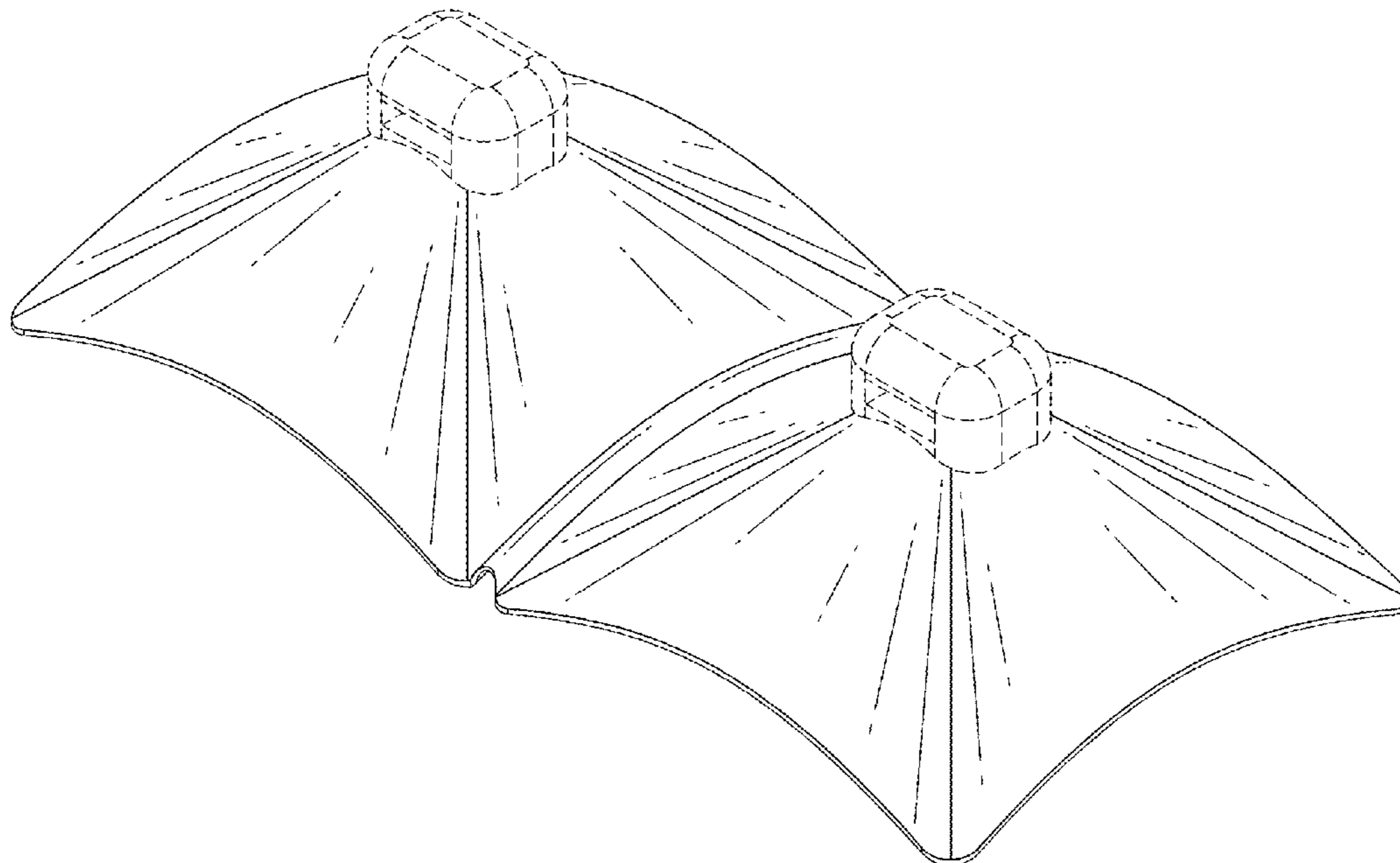
DESCRIPTION

FIG. 1 is a front perspective view of integrated suction cups showing my new design;
 FIG. 2 is a front view of the integrated suction cups of FIG. 1;
 FIG. 3 is a back view of the integrated suction cups of FIG. 1;
 FIG. 4 is a left side view of the integrated suction cups of FIG. 1;
 FIG. 5 is a right side view of the integrated suction cups of FIG. 1;
 FIG. 6 is a top view of the integrated suction cups of FIG. 1;
 and,
 FIG. 7 is a bottom view of the integrated suction cups of FIG. 1.

The broken line portion of the figure drawings is included to show unclaimed subject matter only and forms no part of the claimed design.

1 Claim, 3 Drawing Sheets

- (56) **References Cited**
U.S. PATENT DOCUMENTS
D271,529 S * 11/1983 Ziver D26/118
D381,571 S * 7/1997 Wu D8/354



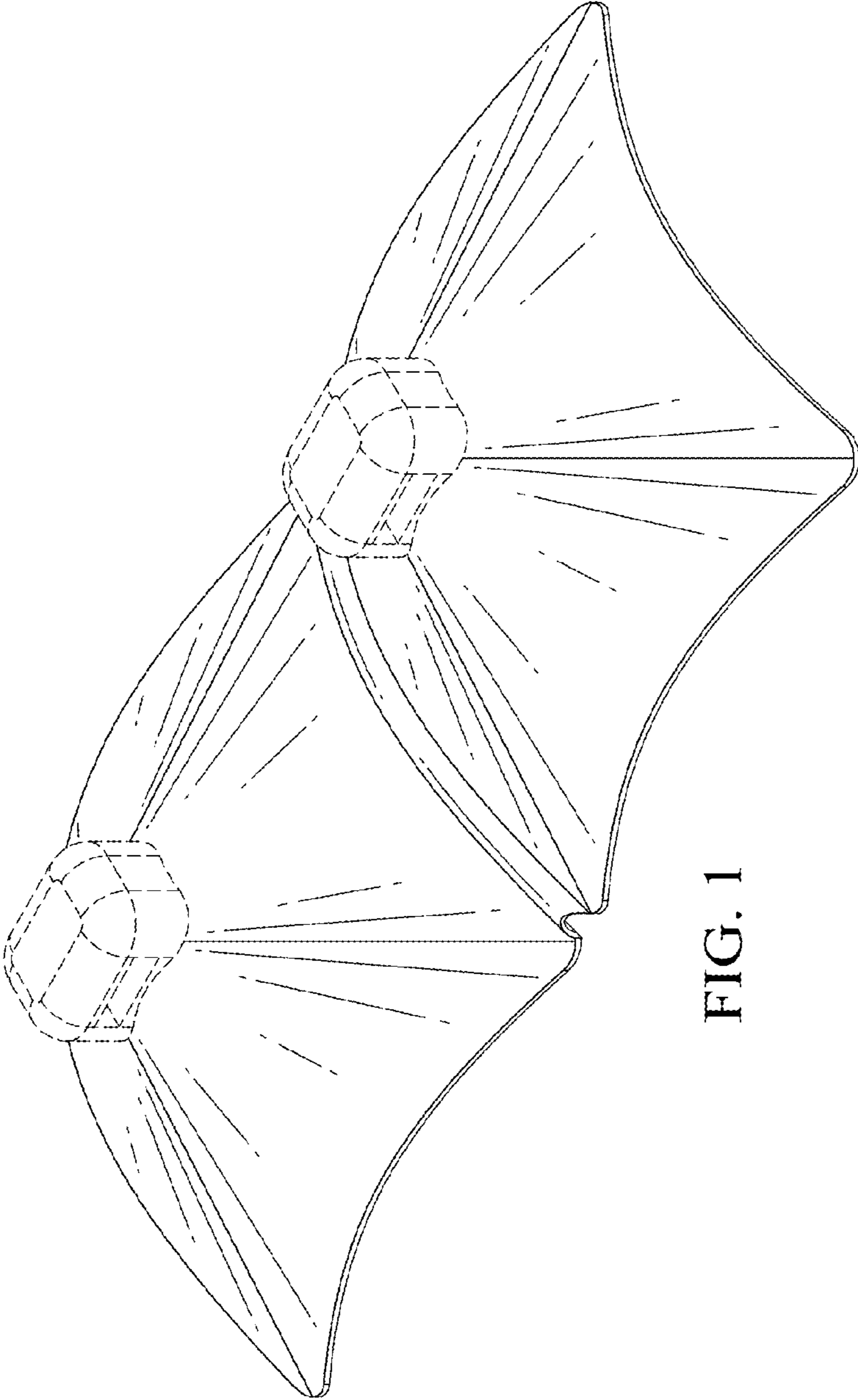


FIG. 1

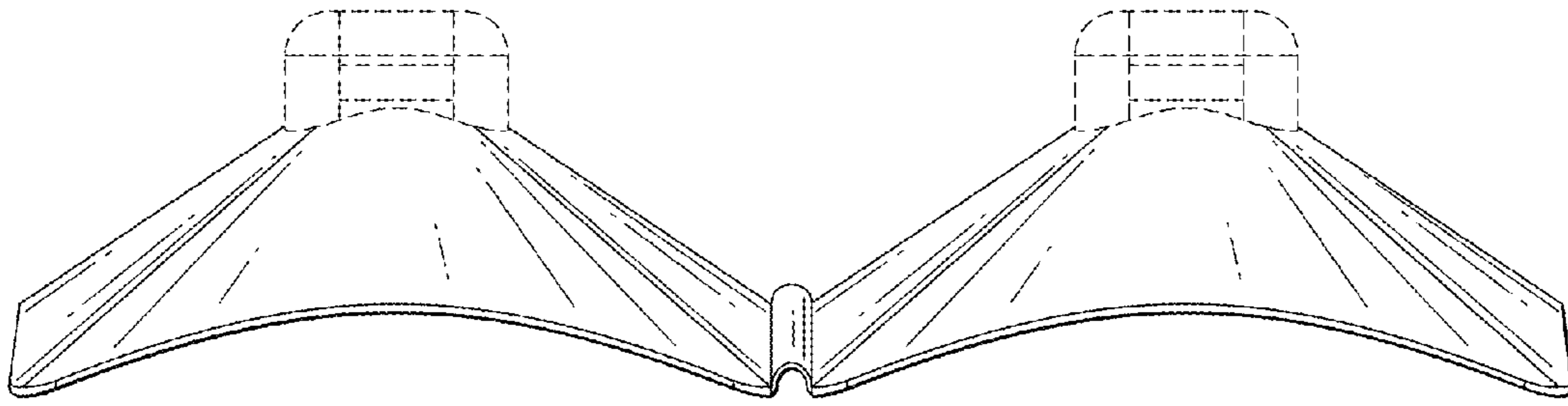


FIG. 2

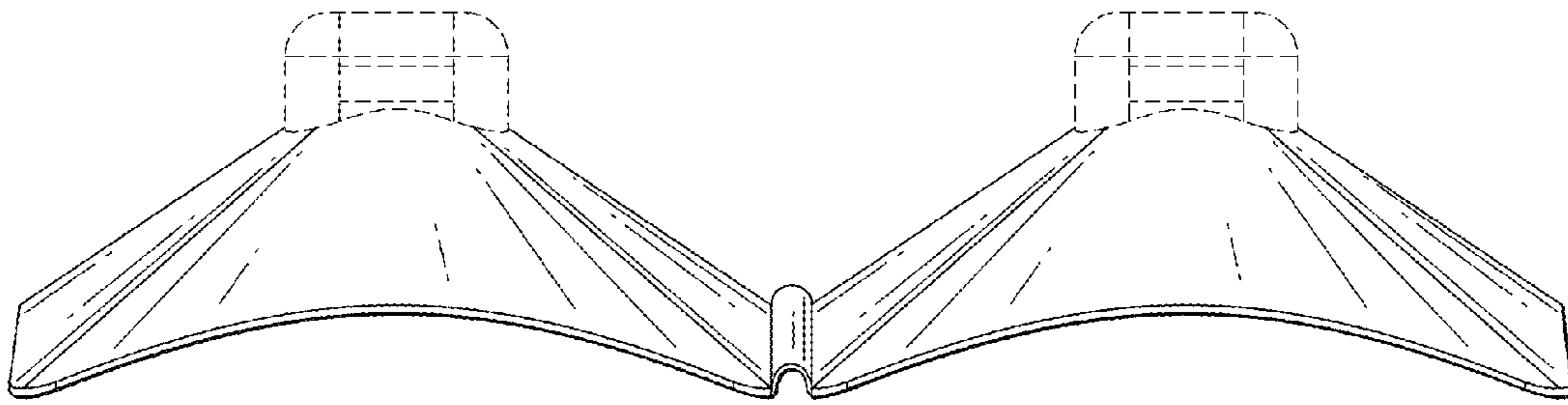


FIG. 3

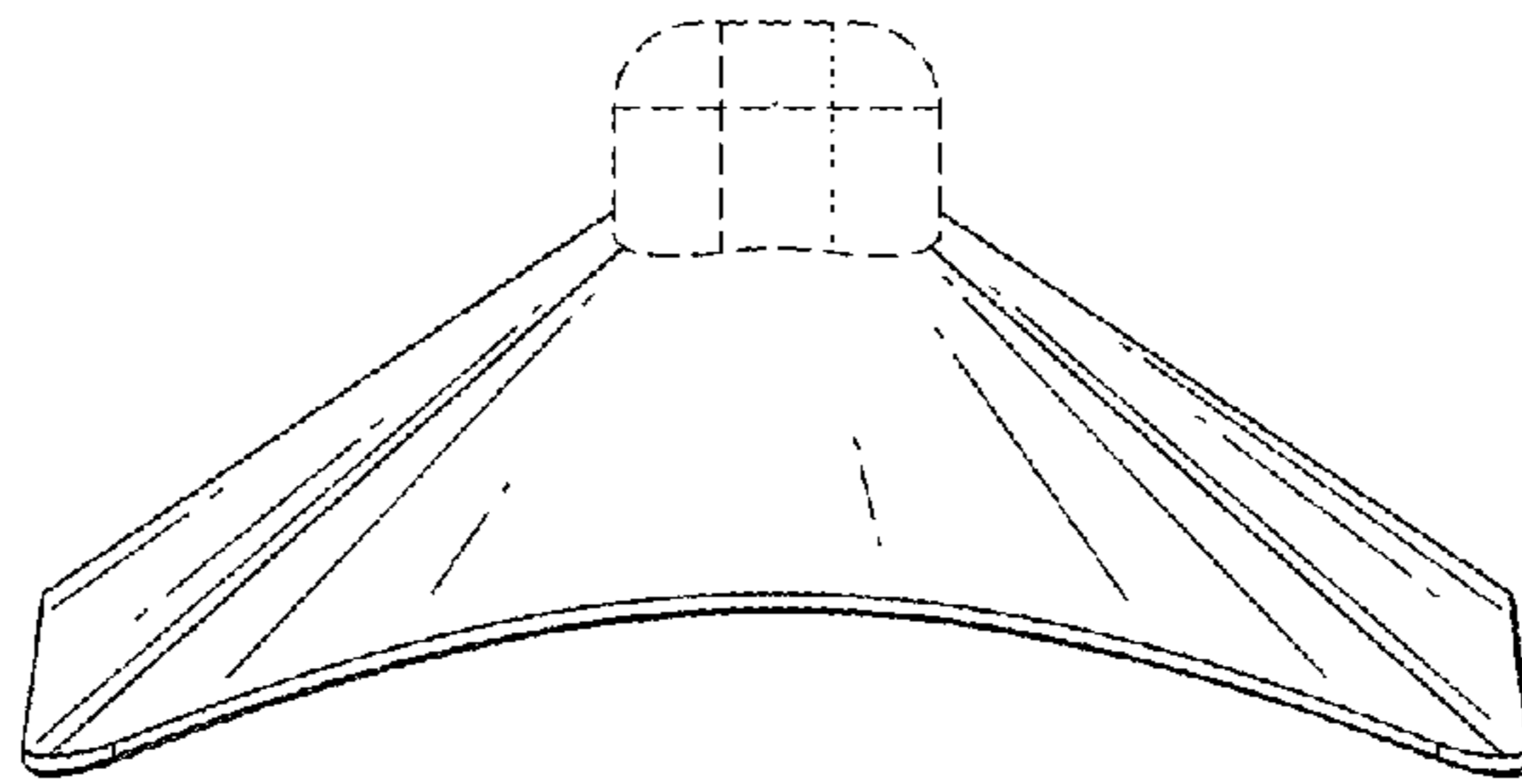


FIG. 4

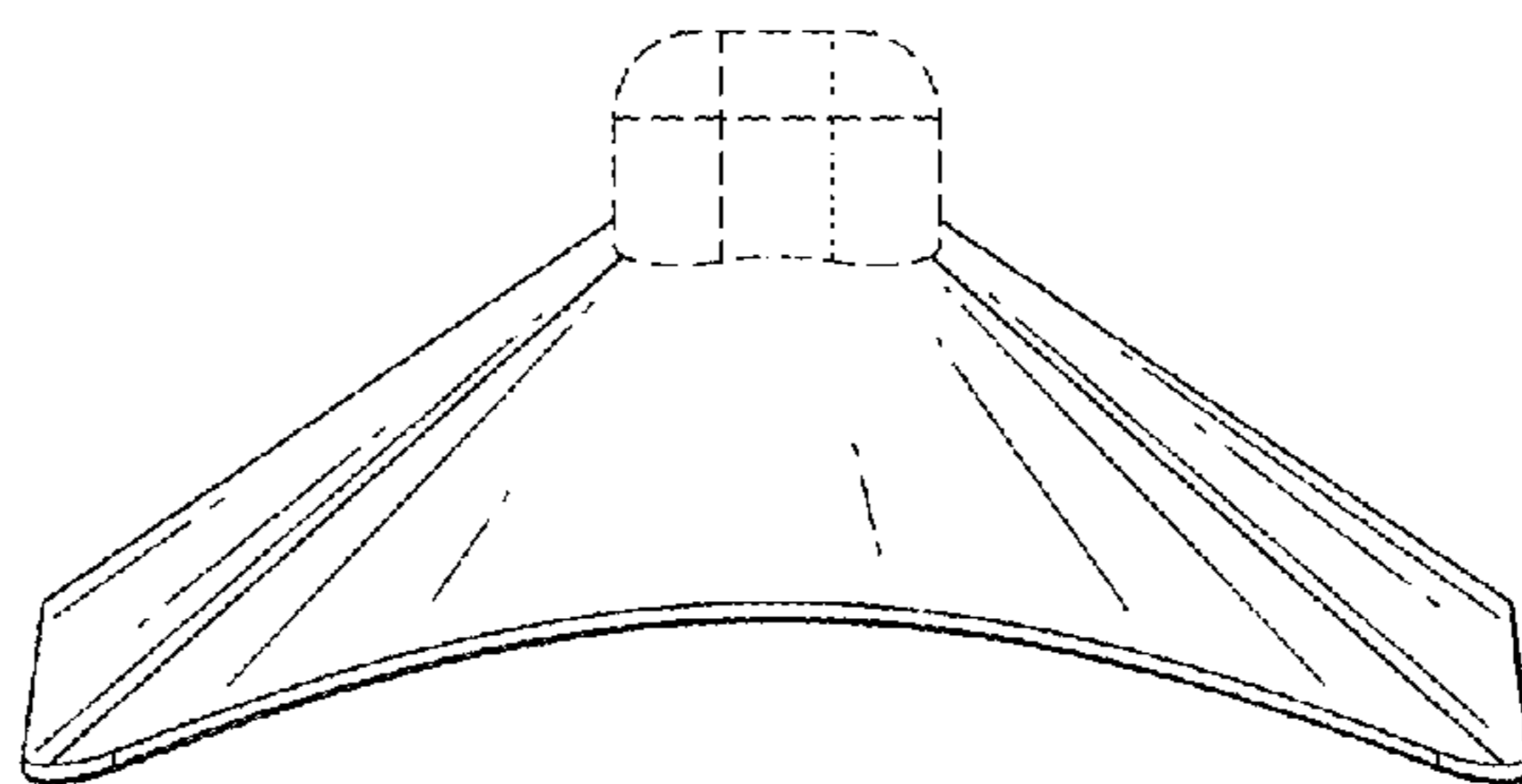


FIG. 5

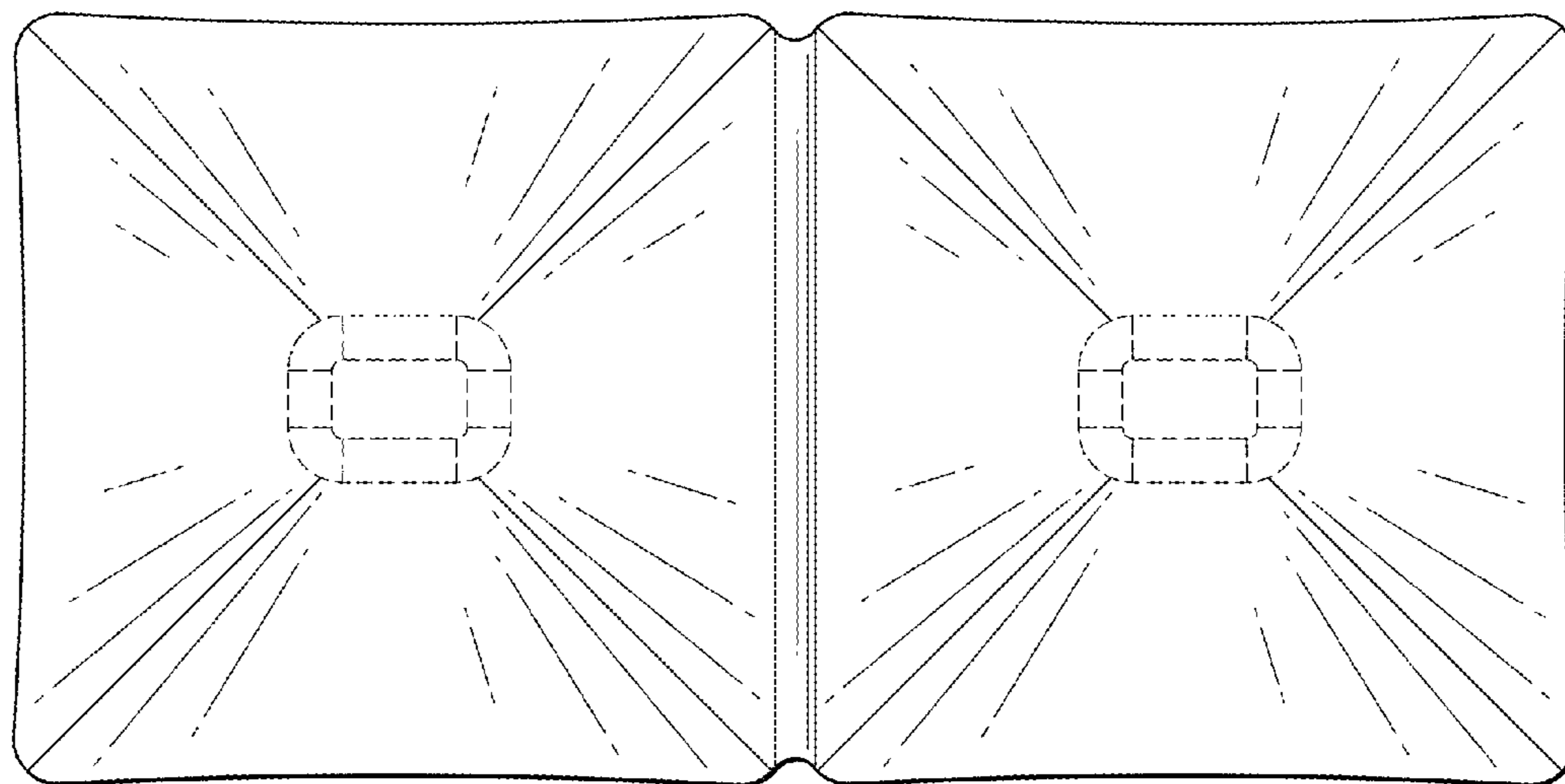


FIG. 6

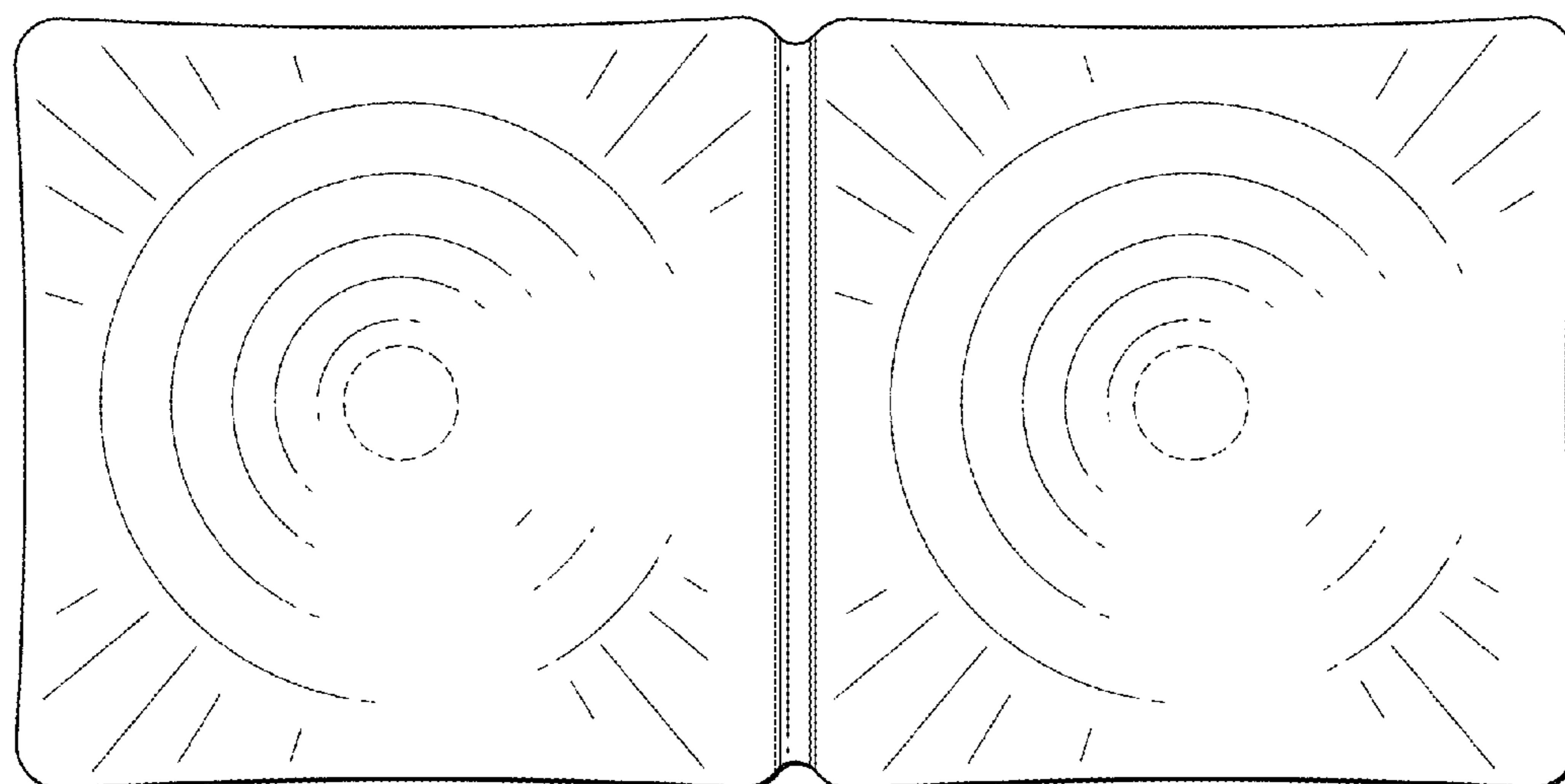


FIG. 7