



US00D740101S

(12) **United States Design Patent**
Chance et al.

(10) **Patent No.:** **US D740,101 S**

(45) **Date of Patent:** **** Oct. 6, 2015**

(54) **BONE SHAPED SLIDE LOCK**

(56) **References Cited**

(71) Applicant: **Stout Stuff, LLC**, Bentonville, AR (US)

U.S. PATENT DOCUMENTS

(72) Inventors: **Christopher E. Chance**, Bella Vista, AR (US); **Thomas Lawson**, Rogers, AR (US); **Andrew Bojie**, Centerton, AR (US); **Jake Mackenzie Houser**, Bentonville, AR (US); **Timothy Hart**, Rogers, AR (US)

3,439,515	A *	4/1969	Gehrie	70/288
4,791,756	A *	12/1988	Simpson	49/175
5,145,221	A *	9/1992	Pennebaker et al.	292/175
5,881,582	A *	3/1999	Monaco	70/14
D409,473	S *	5/1999	Tieu	D8/342
D455,063	S *	4/2002	Anderson	D8/339
6,668,428	B2 *	12/2003	Moeller	24/163 R
D631,636	S *	2/2011	Hague	D1/106
D654,777	S *	2/2012	Beres et al.	D8/339
D658,036	S *	4/2012	Fong	D8/339
D658,821	S *	5/2012	Viola	D30/160
8,910,596	B2 *	12/2014	Finlan	119/863

(73) Assignee: **Stout Stuff, LLC**, Bentonville, AR (US)

(**) Term: **14 Years**

* cited by examiner

(21) Appl. No.: **29/498,108**

Primary Examiner — Prabhakar Deshmukh

(22) Filed: **Jul. 31, 2014**

(74) *Attorney, Agent, or Firm* — Thomas J. Oppold; Larkin Hoffman Daly & Lindgren, Ltd.

Related U.S. Application Data

(63) Continuation-in-part of application No. 29/444,587, filed on Jan. 31, 2013, now Pat. No. Des. 713,099.

(51) **LOC (10) Cl.** **08-07**

(52) **U.S. Cl.**
USPC **D8/339**; D8/330; D8/341

(58) **Field of Classification Search**
USPC D8/330, 331, 339-342, 349, 367, 400;
70/14, 19, 57, 57.1, 58, 51, 52, 199,
70/237, 240, 431, 288, 94, 99; 292/92,
292/339, 259 R, 259 A, 57, 262, 273, 305,
292/306, DIG. 47, DIG. 55, DIG. 60; 49/57,
49/61, 62, 303, 463-466
CPC E05B 3/00; E05B 9/02; E05B 15/00;
E05B 55/00

See application file for complete search history.

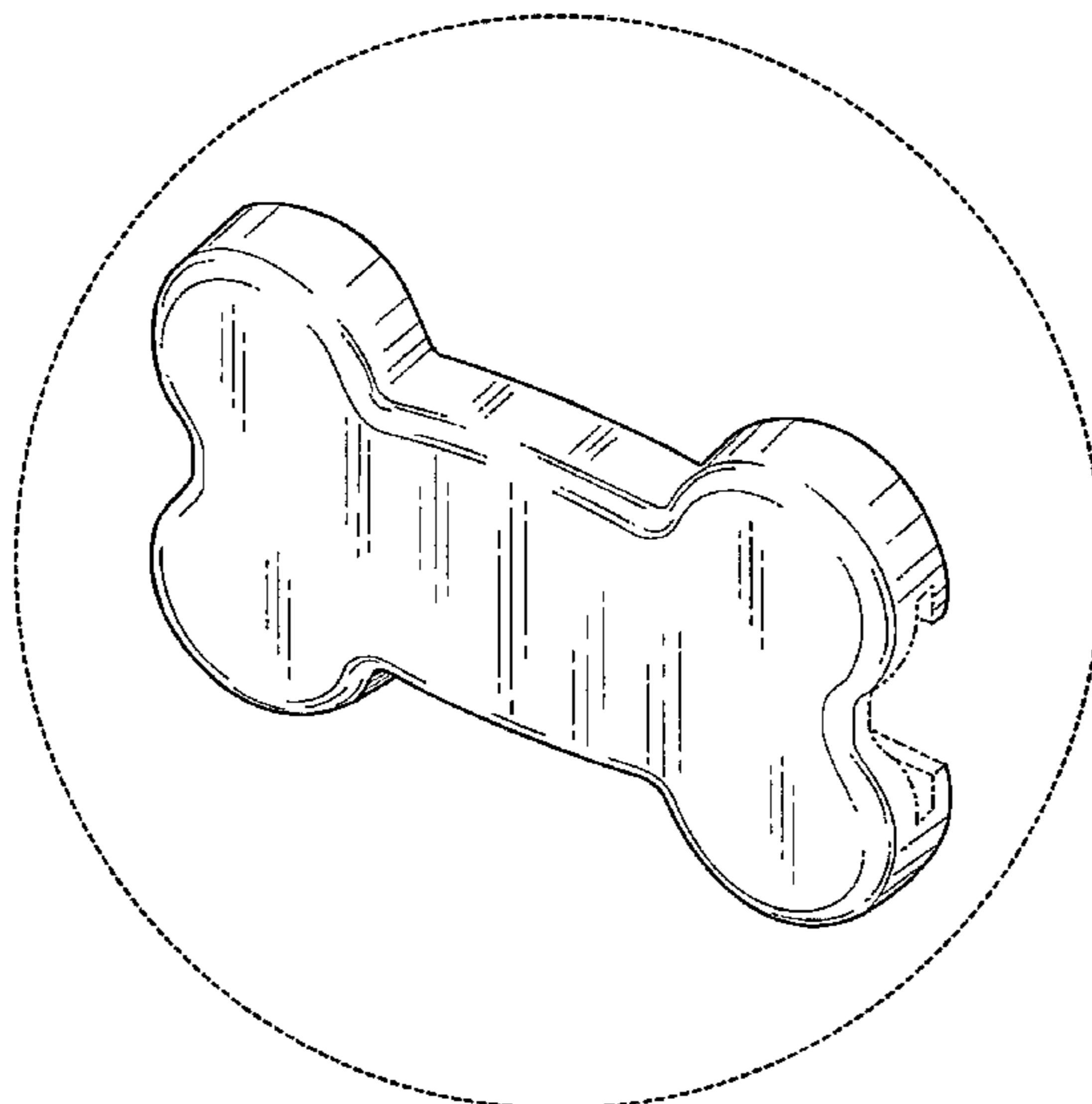
(57) **CLAIM**

The ornamental design for a bone shaped slide lock, as shown and described.

DESCRIPTION

FIG. 1 is a perspective view of a bone shaped slide lock showing our new design, shown in the environmental use; FIG. 2 is an enlarged perspective view of a bone shaped slide lock, encircled in FIG. 1; FIG. 3 is a front elevational view thereof; FIG. 4 is a left side elevational view thereof; FIG. 5 is a right side elevational view thereof; FIG. 6 is a top plan view thereof; FIG. 7 is a bottom plan view thereof; and, FIG. 8 is a rear elevational view thereof. The dashed lines in FIG. 1 illustrate environment and forms no part of the claimed design. The broken lines in FIGS. 2, 4, 5, and 8 indicate the boundary and form no part of the claimed design.

1 Claim, 2 Drawing Sheets



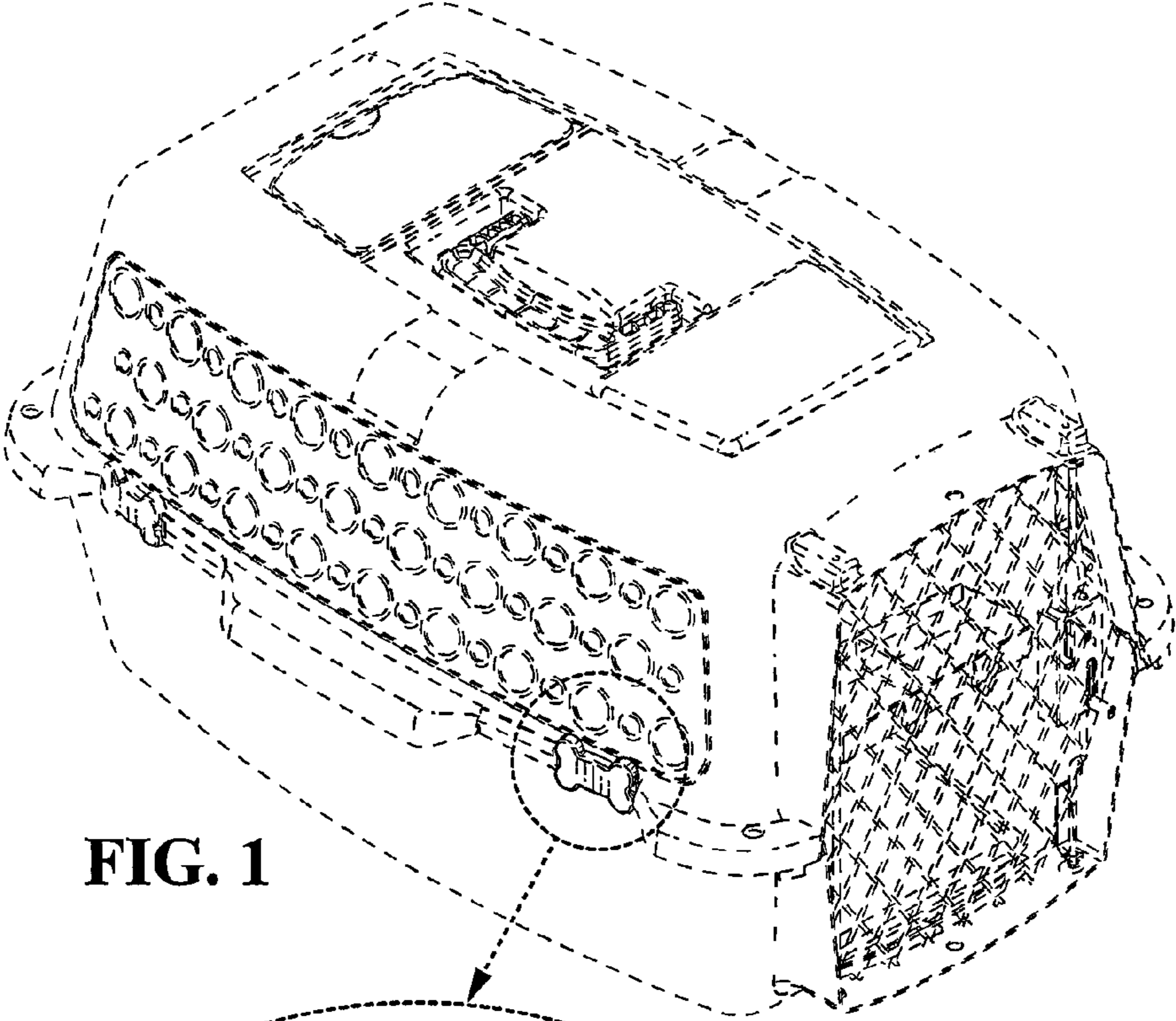


FIG. 1

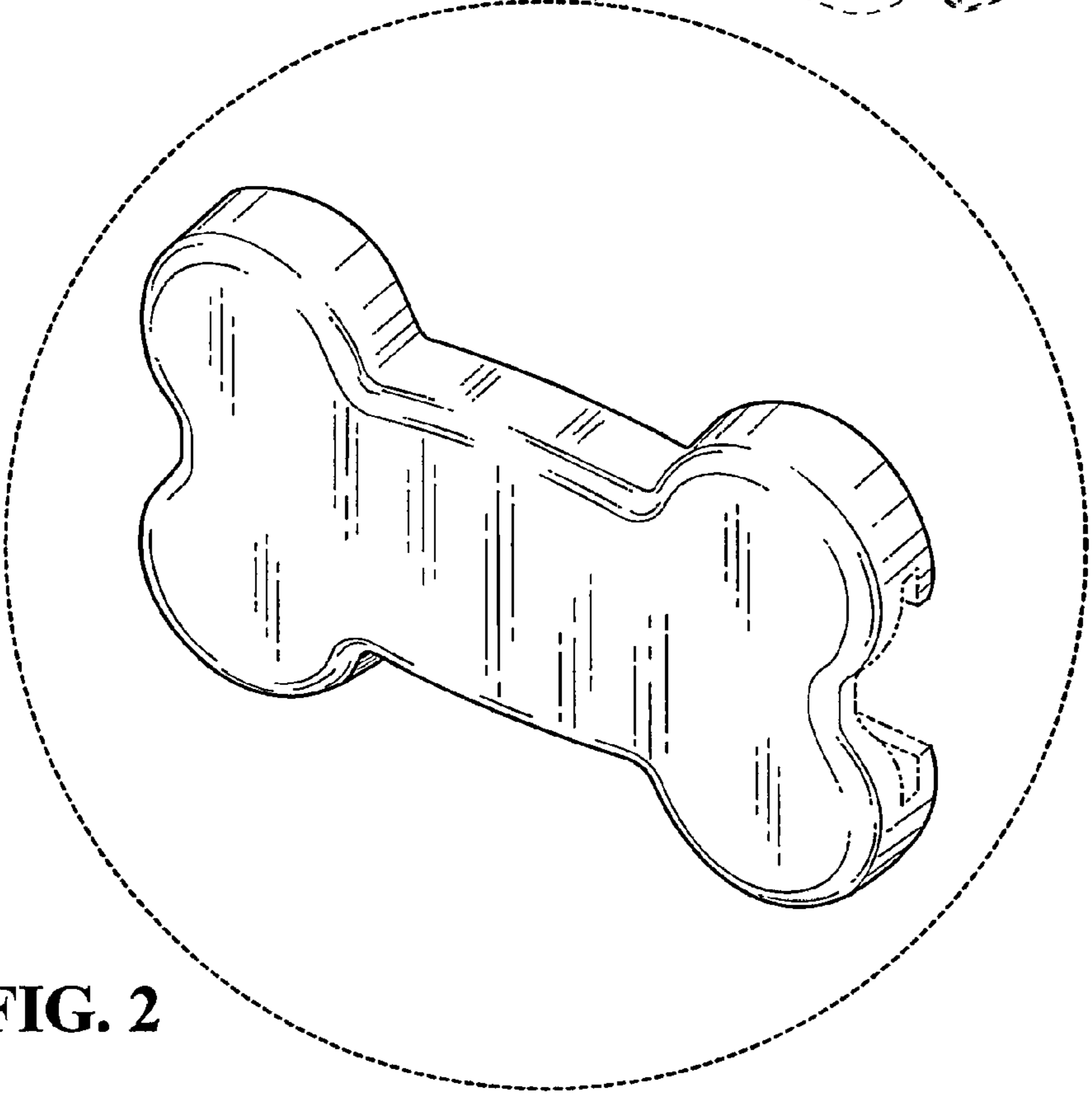


FIG. 2

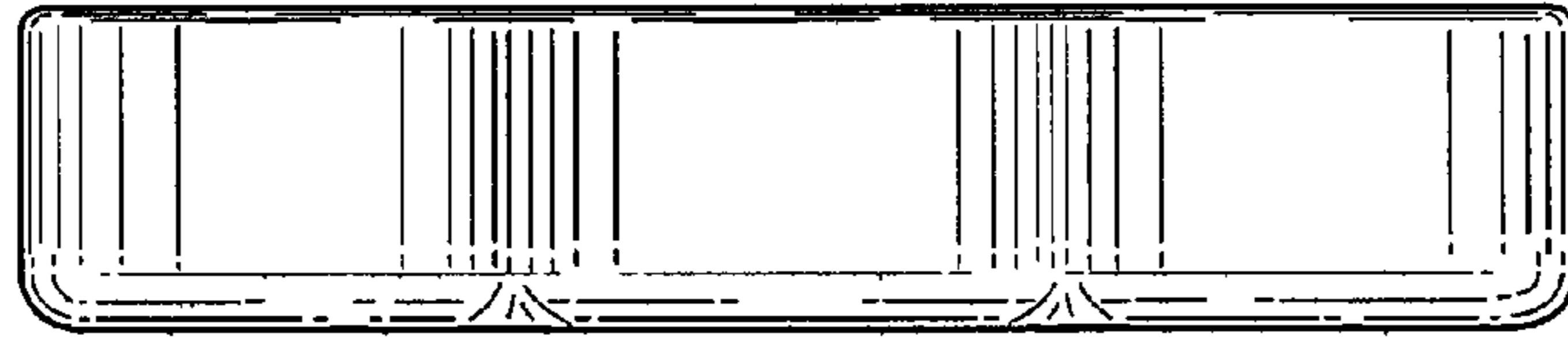


FIG. 6

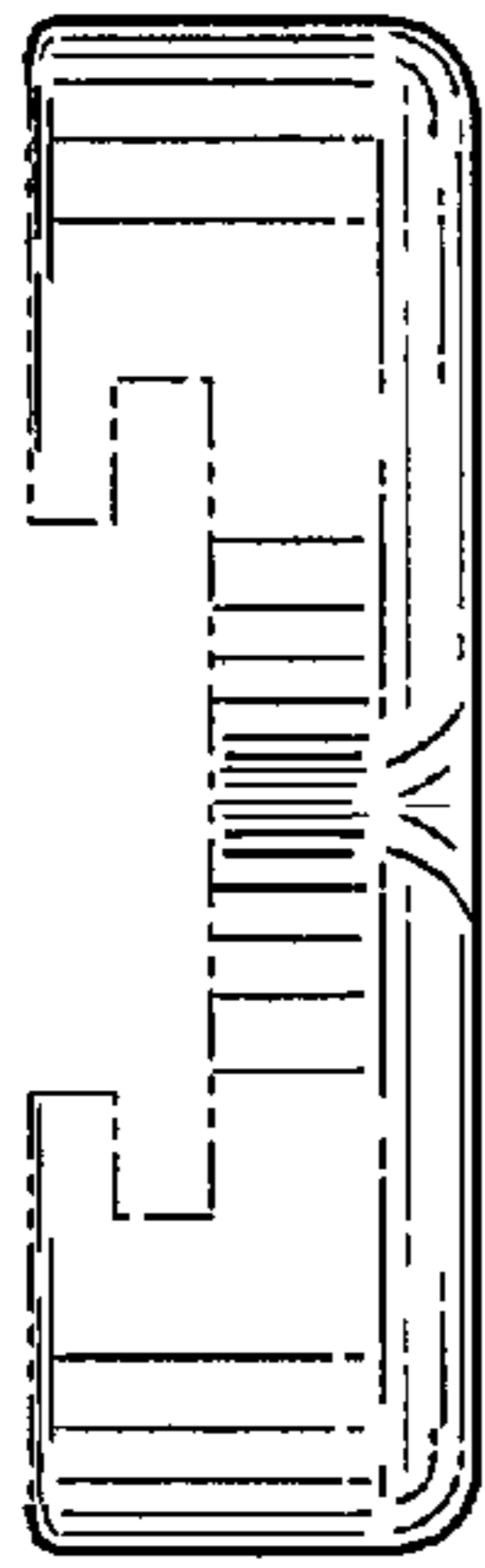


FIG. 4

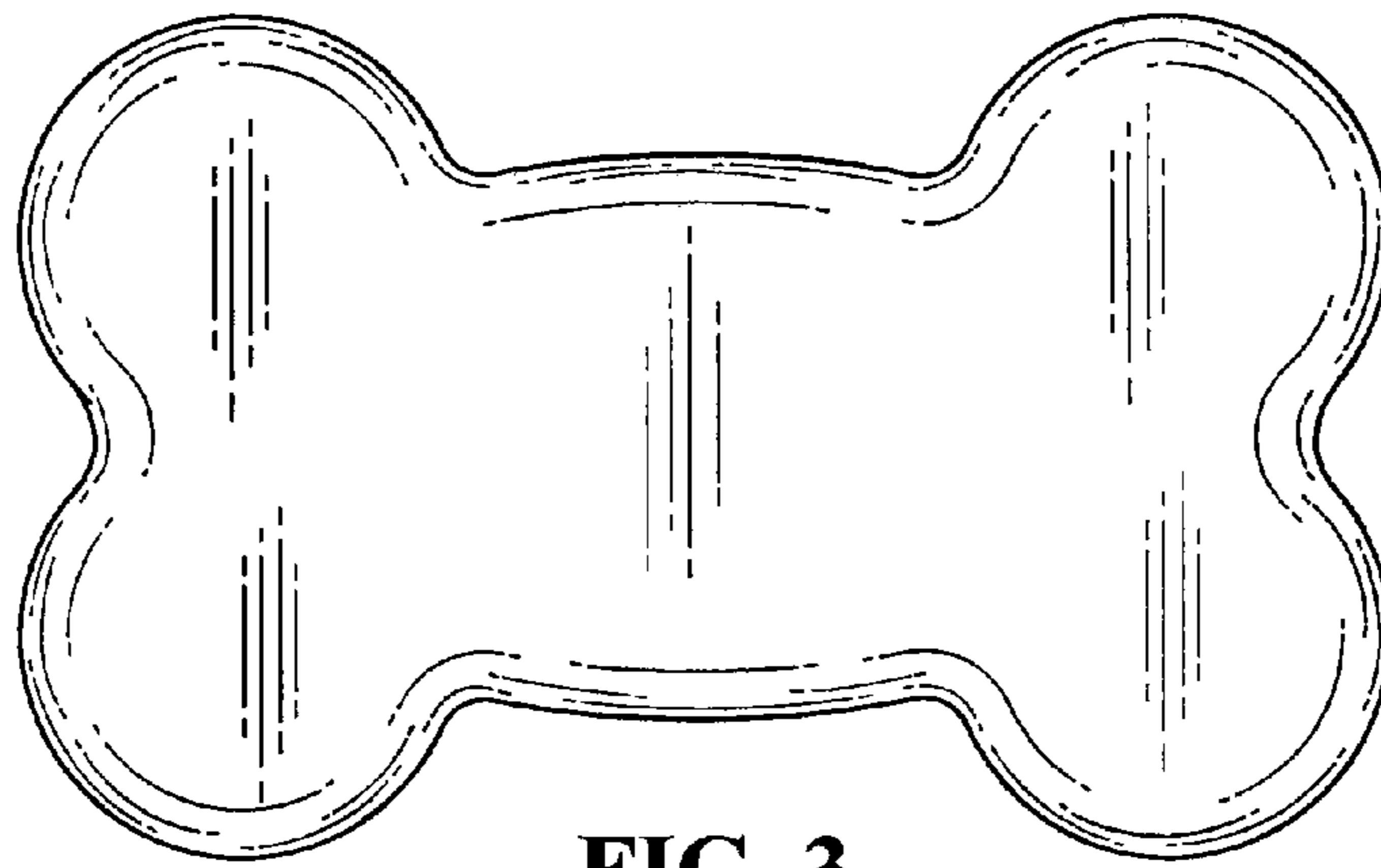


FIG. 3

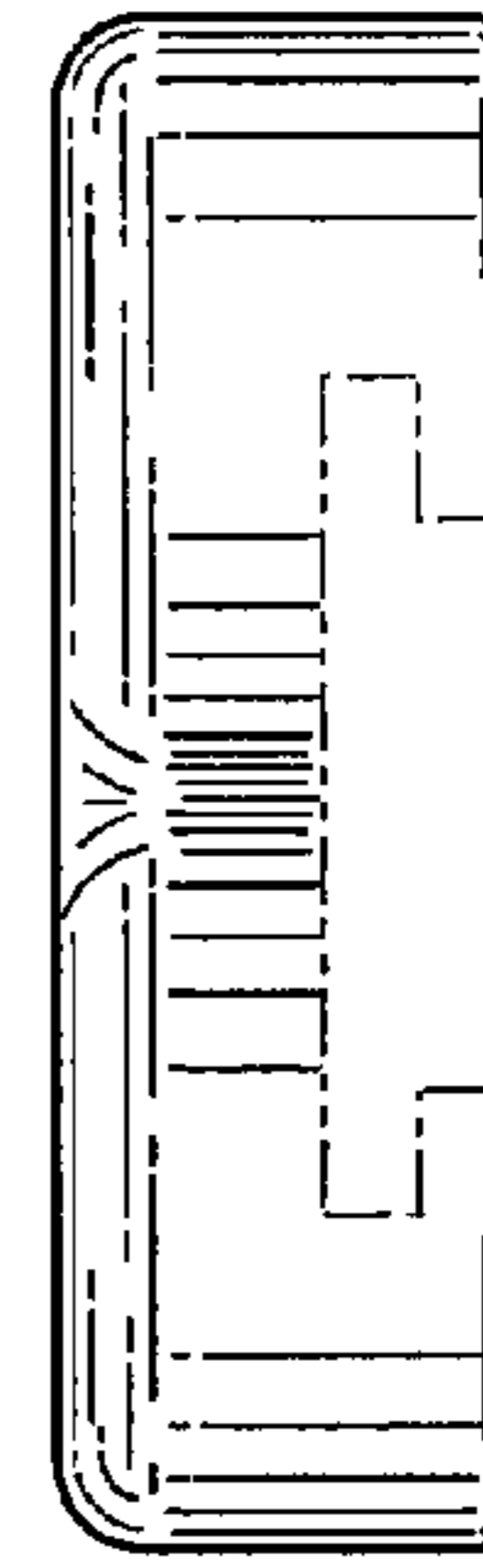


FIG. 5

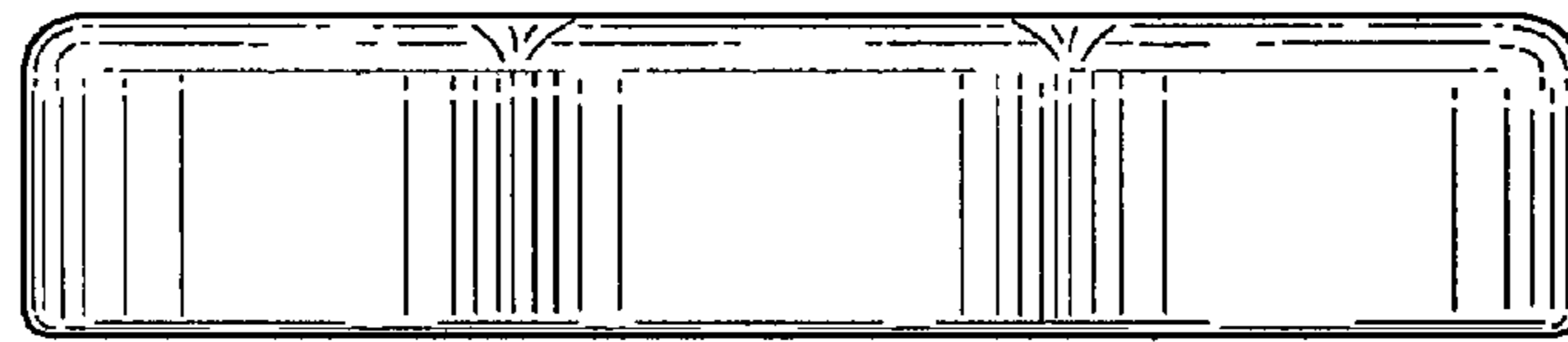


FIG. 7

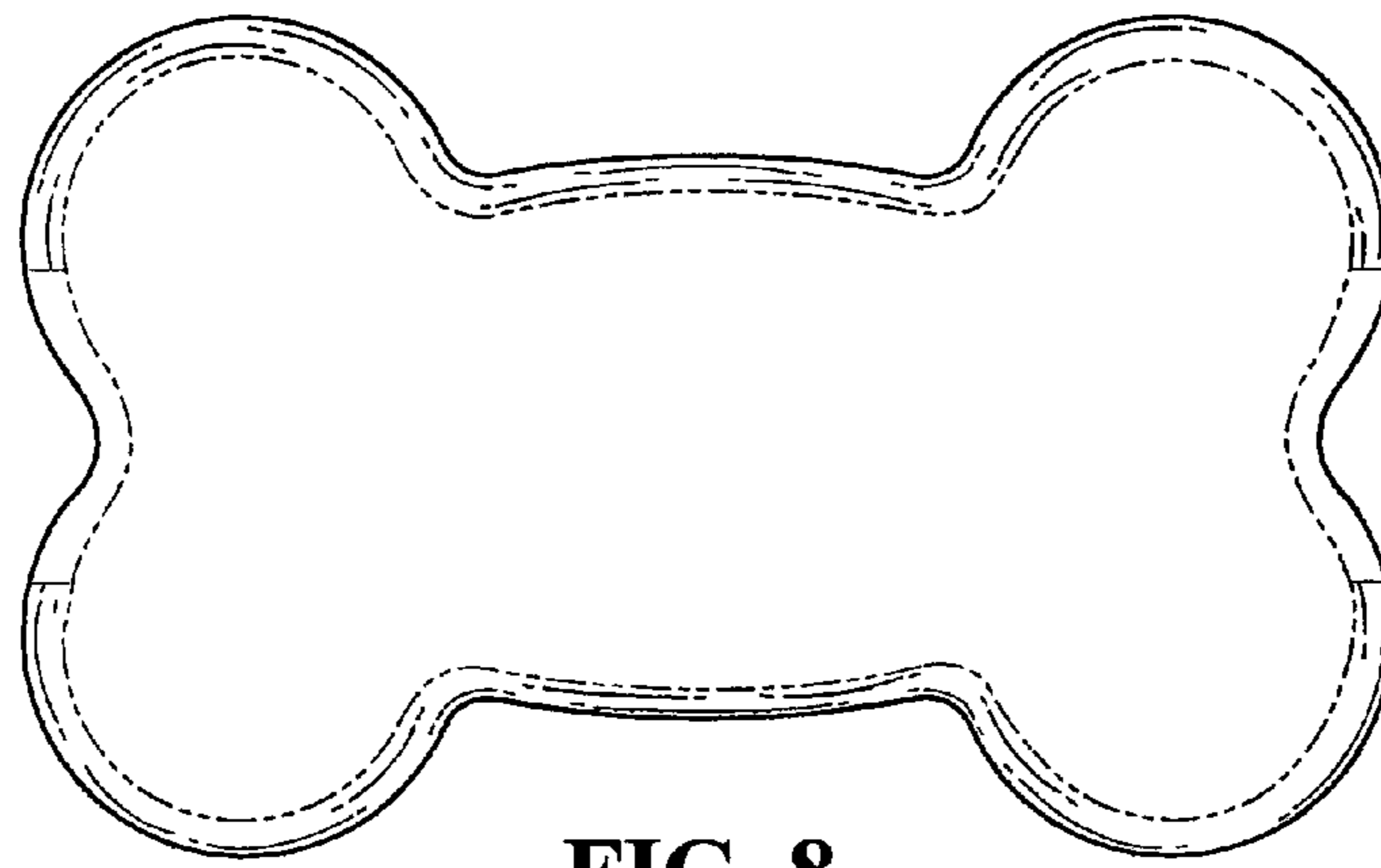


FIG. 8