



US00D740100S

(12) **United States Design Patent**
Alfredsson

(10) **Patent No.:** **US D740,100 S**

(45) **Date of Patent:** **** Oct. 6, 2015**

(54) **LOCK**

(71) Applicant: **Industrilås i Nässjö Aktiebolag**, Nässjö (SE)

(72) Inventor: **Bengt-Åke Alfredsson**, Bodafors (SE)

(73) Assignee: **Industrilås i Nässjö Aktiebolag**, Nässjö (SE)

(**) Term: **14 Years**

(21) Appl. No.: **29/479,038**

(22) Filed: **Jan. 10, 2014**

(30) **Foreign Application Priority Data**

Jul. 12, 2013 (EM) 002273094

(51) **LOC (10) Cl.** **08-07**

(52) **U.S. Cl.**
USPC **D8/331; D8/330**

(58) **Field of Classification Search**
USPC D8/330, 331, 341, 343–346, 349;
70/288, 306, 312, 316, 69–72;
292/DIG. 26, DIG. 42, DIG. 48, DIG. 49
See application file for complete search history.

(56) **References Cited**

U.S. PATENT DOCUMENTS

3,350,902	A *	11/1967	Chance	70/74
6,145,352	A *	11/2000	Vickers et al.	70/208
D548,565	S *	8/2007	Vickers	D8/331
D570,669	S *	6/2008	Le et al.	D8/331
7,424,813	B2 *	9/2008	Wu	70/58
D603,684	S *	11/2009	Martis et al.	D8/331
D649,432	S *	11/2011	Main et al.	D8/331
D654,779	S *	2/2012	Matre	D8/356
D656,383	S *	3/2012	Matre	D8/331
D686,903	S *	7/2013	Guichot	D8/331

D704,530 S * 5/2014 Le D8/331

* cited by examiner

Primary Examiner — Prabhakar Deshmukh

(74) *Attorney, Agent, or Firm* — Michael G. Johnston;
Moore & Van Allen PLLC

(57) **CLAIM**

The ornamental design for a lock, as shown and described.

DESCRIPTION

FIG. 1 is a perspective view of a lock in a first position showing my new design.

FIG. 2 is a top plan view of the lock as shown in FIG. 1 showing my new design.

FIG. 3 is a bottom plan view of the lock as shown in FIG. 1 showing my new design.

FIG. 4 is a rear elevation view of the lock as shown in FIG. 1 showing my new design.

FIG. 5 is a front elevation view of the lock as shown in FIG. 1 showing my new design.

FIG. 6 is a right side elevation view of the lock as shown in FIG. 1 showing my new design, the left side elevation view being a mirror image thereof.

FIG. 7 is a perspective view of the lock as shown in FIG. 1 in a second position showing my new design.

FIG. 8 is a top plan view of the lock as shown in FIG. 7 showing my new design.

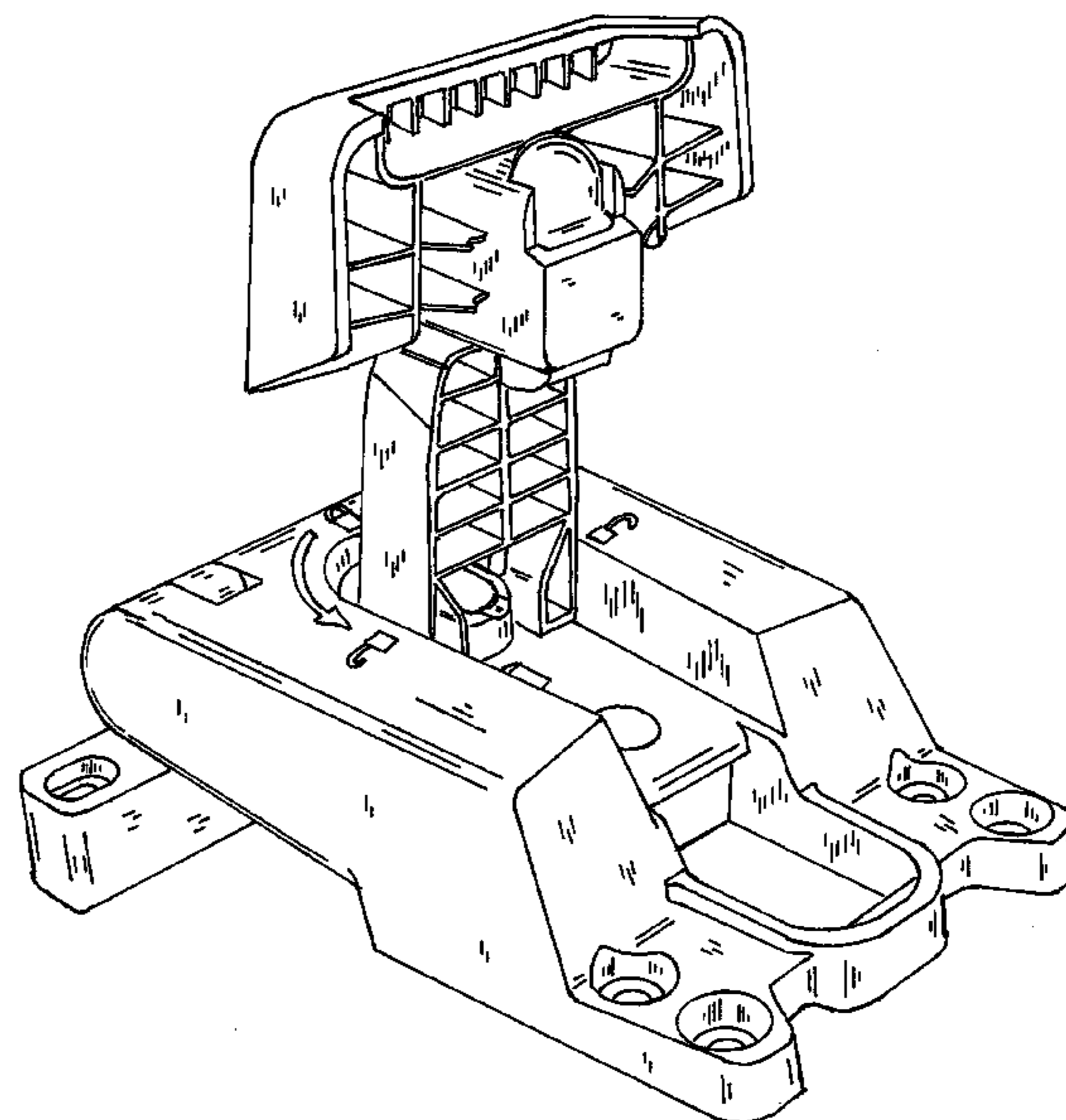
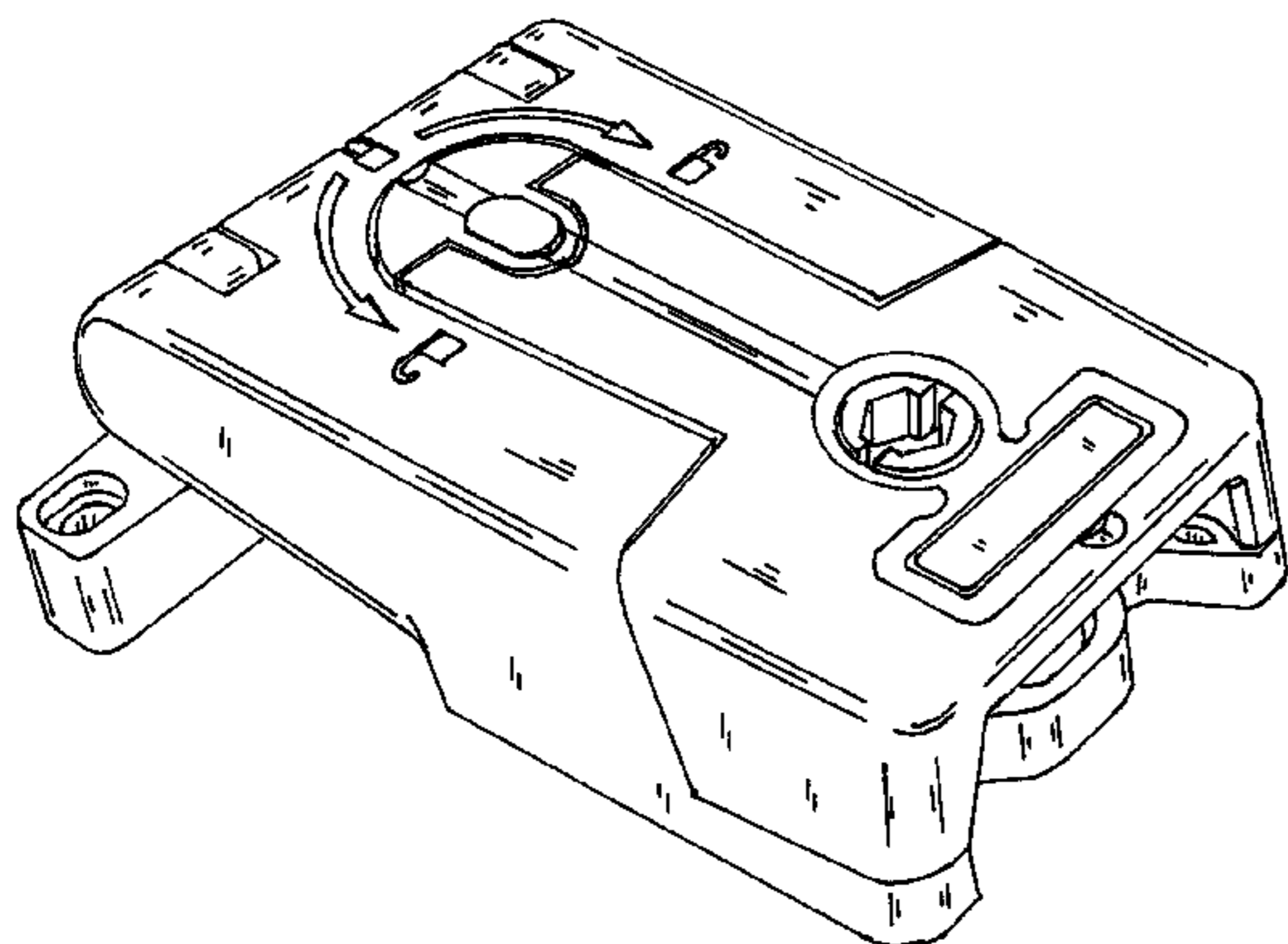
FIG. 9 is a bottom plan view of the lock as shown in FIG. 7 showing my new design.

FIG. 10 is a rear elevation view of the lock as shown in FIG. 7 showing my new design.

FIG. 11 is a front elevation view of the lock as shown in FIG. 7 showing my new design; and,

FIG. 12 is a right side elevation view of the lock as shown in FIG. 7 showing my new design, the left side elevation view being a mirror image thereof.

1 Claim, 11 Drawing Sheets



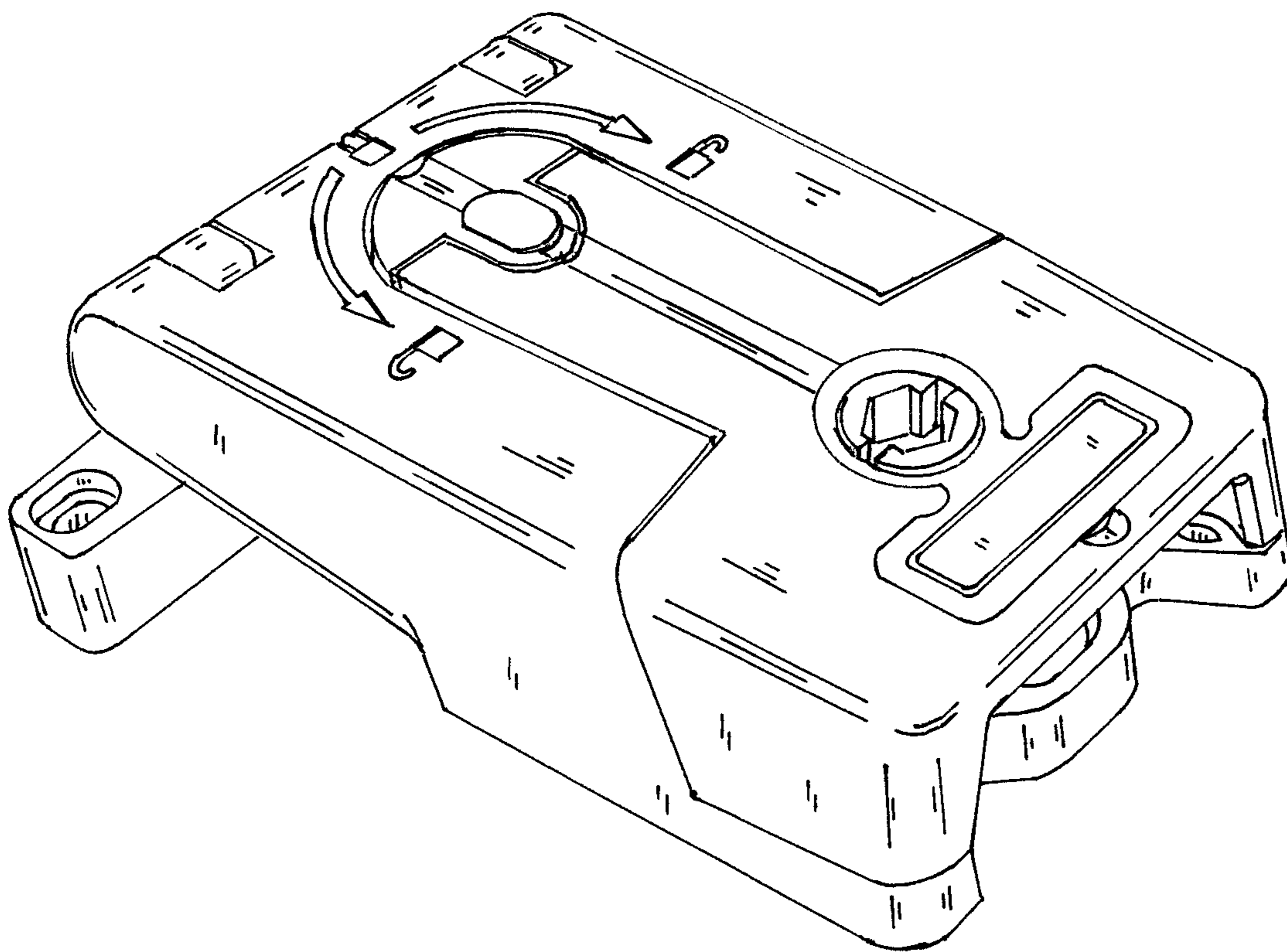


FIG. 1

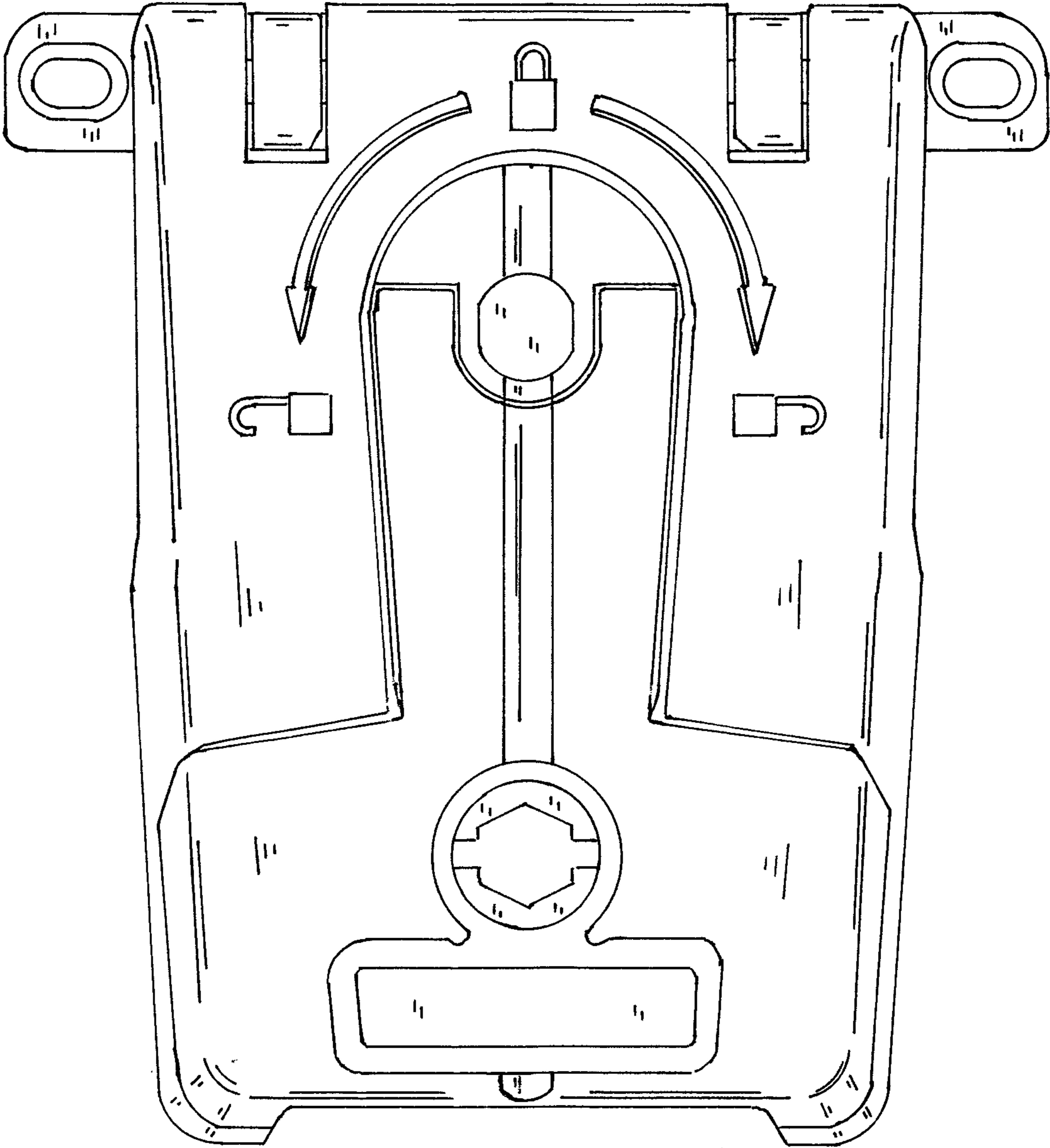


FIG. 2

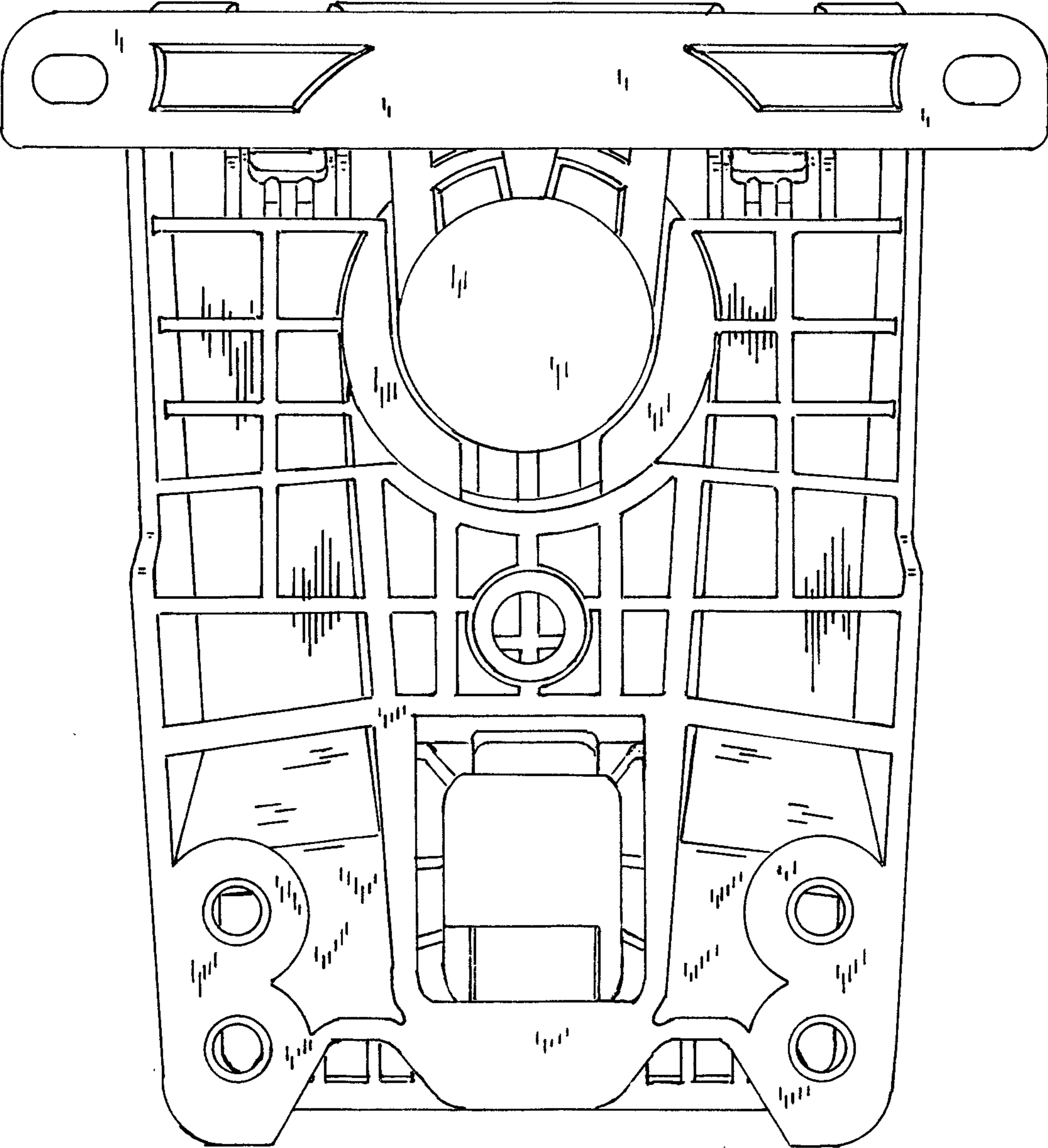


FIG. 3

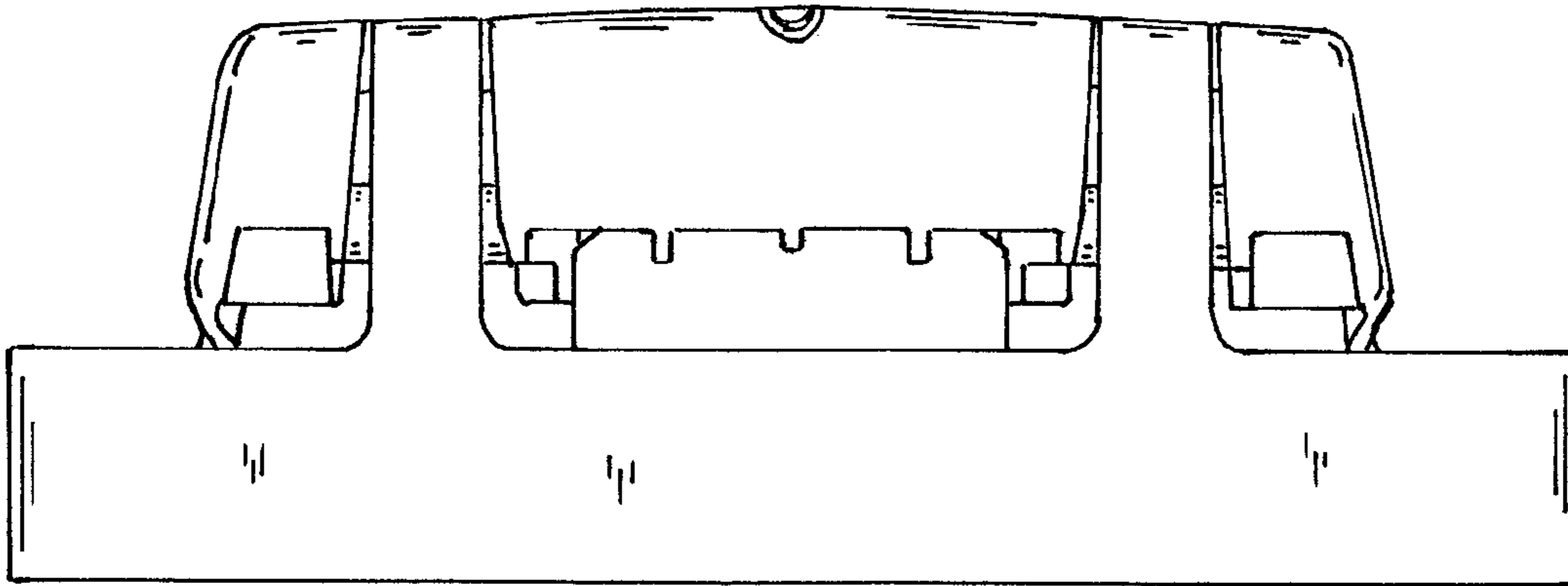


FIG. 4

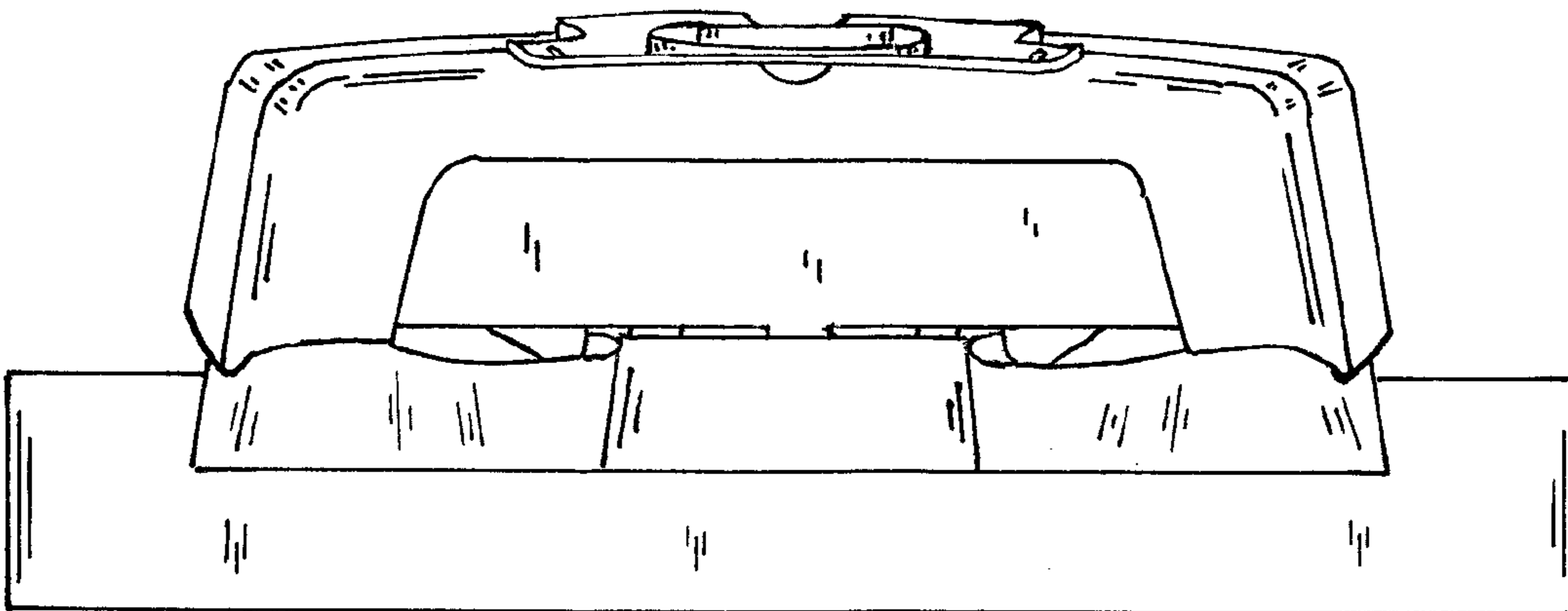


FIG. 5

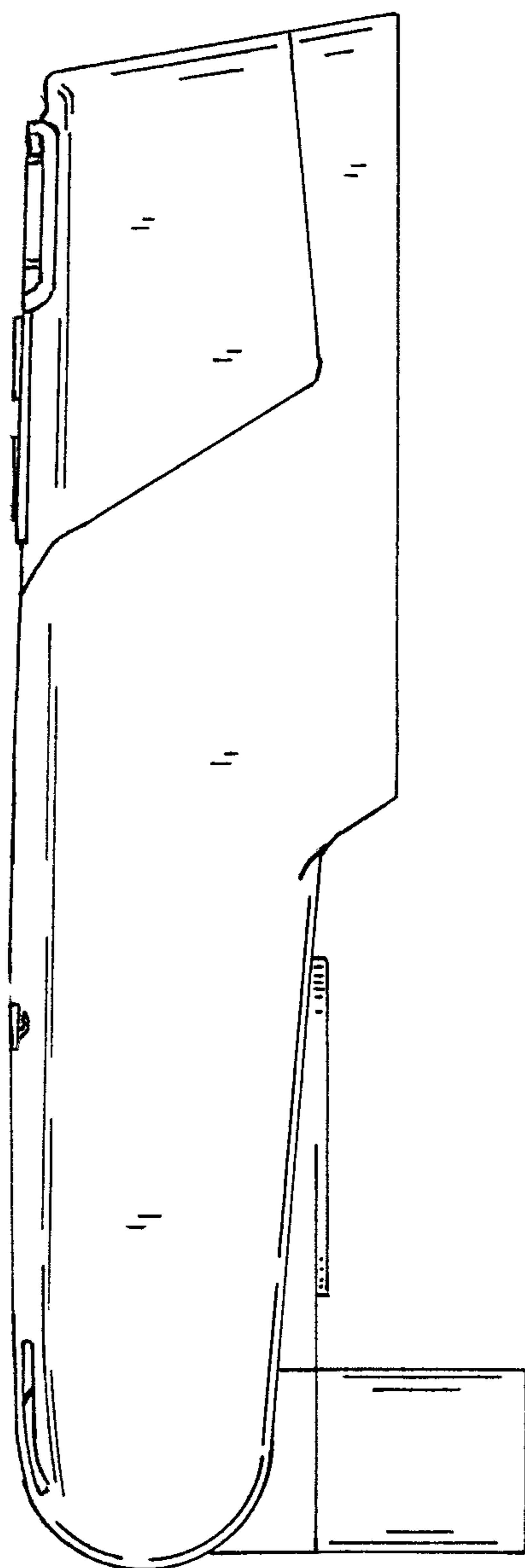


FIG. 6

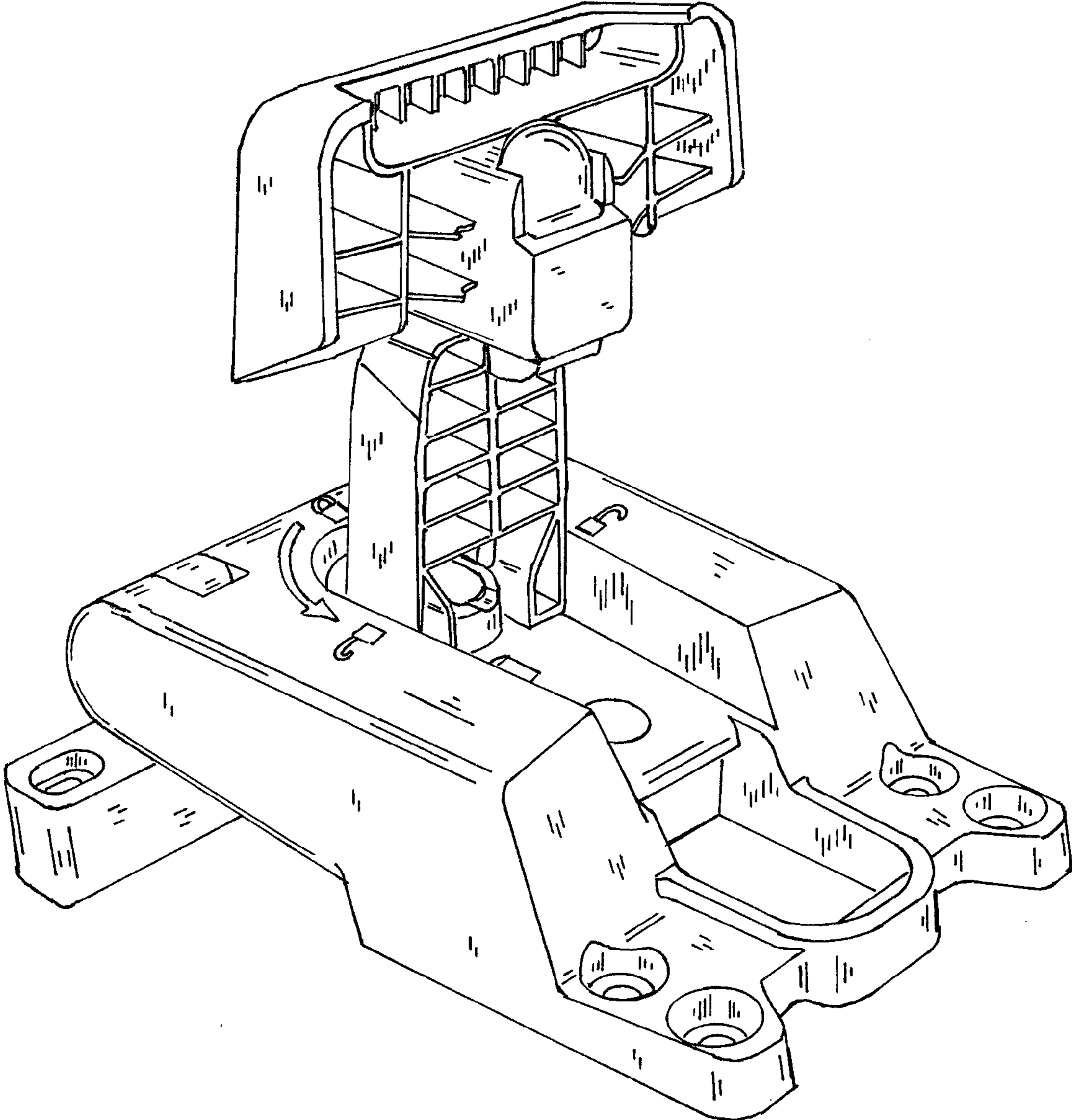


FIG. 7

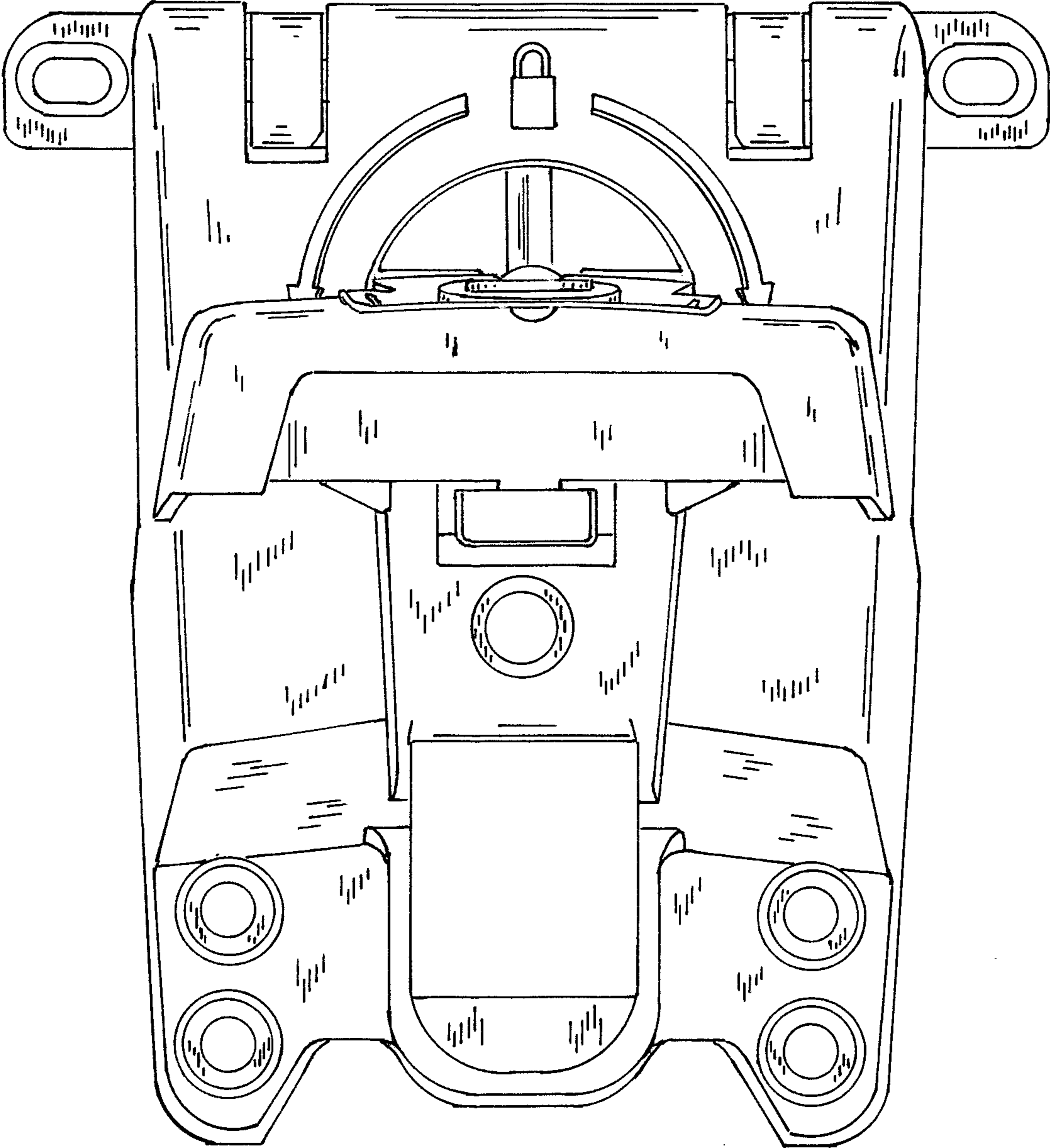


FIG. 8

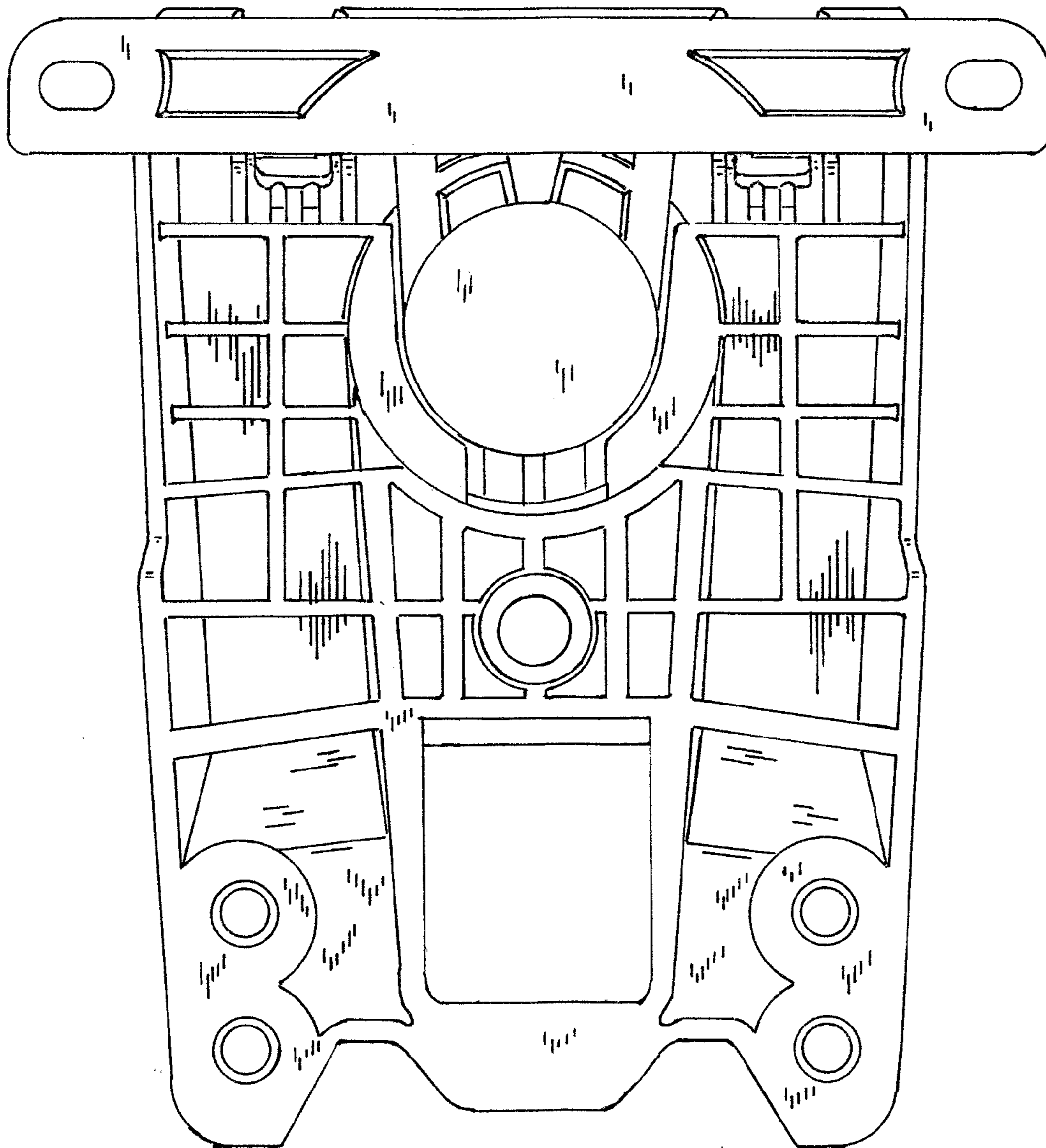


FIG. 9

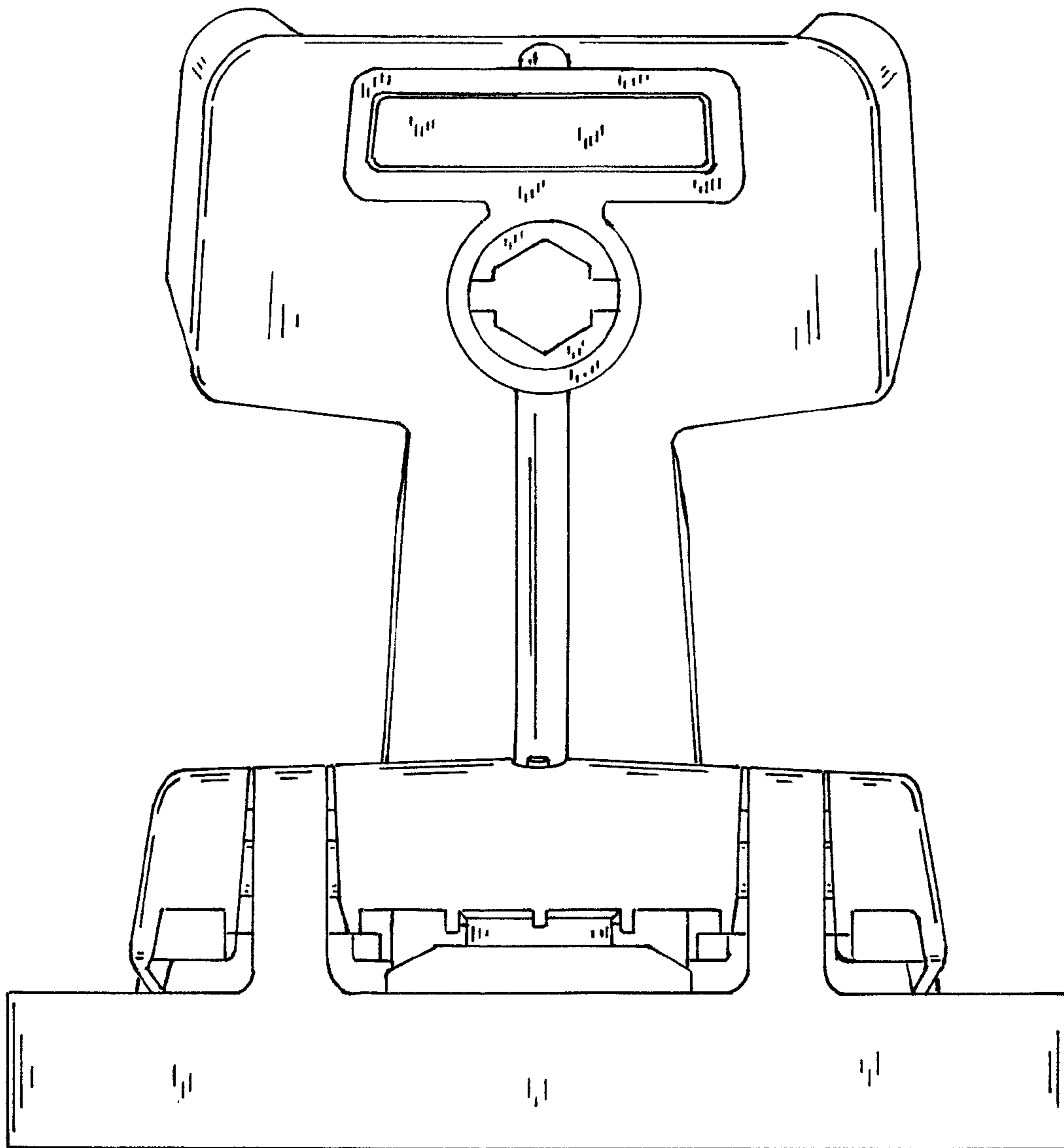


FIG. 10

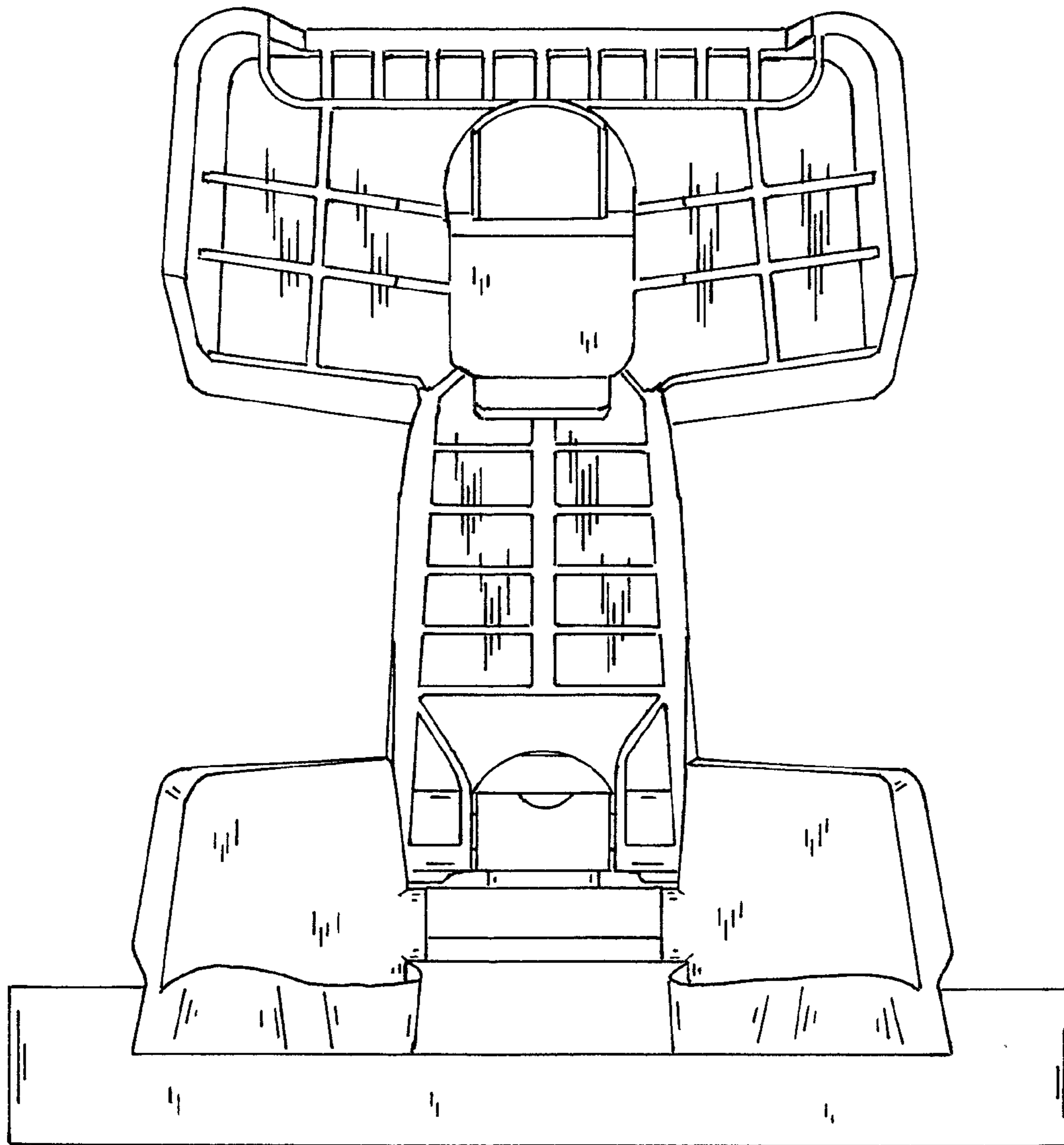


FIG. 11

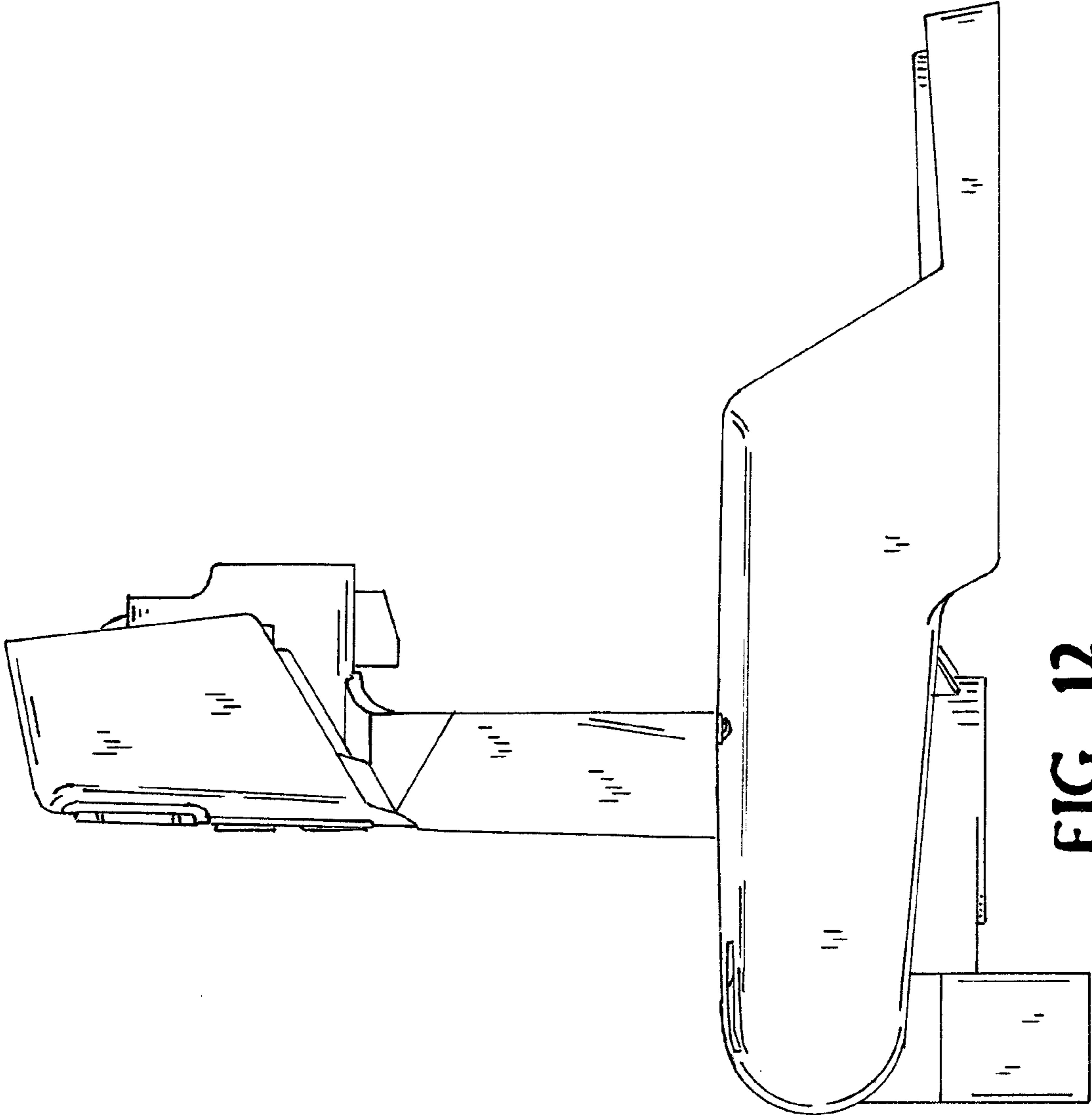


FIG. 12