



US00D740099S

(12) **United States Design Patent**
Chang

(10) **Patent No.:** **US D740,099 S**
(45) **Date of Patent:** **** Oct. 6, 2015**

(54) **SUPPORT ACCESSORY**
(71) Applicant: **Cheng Chung Chang**, Taichung (TW)
(72) Inventor: **Cheng Chung Chang**, Taichung (TW)
(73) Assignee: **Designer Brass Corporation**, Taichung (TW)
(**) Term: **14 Years**

D320,337 S * 10/1991 Tye et al. D8/319
D453,434 S 2/2002 Ou-Young
D503,061 S * 3/2005 Fuchs D6/549
D505,819 S 6/2005 Hoernig
D529,323 S 10/2006 Gilbert
D563,707 S * 3/2008 Lee D6/549
D586,199 S 2/2009 Gifford
D600,960 S 9/2009 Krumpe
D600,961 S * 9/2009 Krumpe D6/549
D606,789 S * 12/2009 Krumpe D6/523
D658,745 S * 5/2012 Obara et al. D23/304
D658,746 S 5/2012 Obara et al.

(21) Appl. No.: **29/484,717**
(22) Filed: **Mar. 12, 2014**
(51) **LOC (10) Cl.** **08-06**
(52) **U.S. Cl.**
USPC **D8/316**

* cited by examiner
Primary Examiner — Derrick Holland
Assistant Examiner — Lauren Calve
(74) *Attorney, Agent, or Firm* — Muncy, Geissler, Olds & Lowe, P.C.

(58) **Field of Classification Search**
USPC D8/300, 315–320, DIG. 1; D23/250, D23/254, 303–305; D99/11; D6/546, 549; D7/393, 394; 211/16; 16/110.1, 412, 16/413, 415, 419, 422, 424, 425, DIG. 19
CPC Y10T 16/469; Y10T 16/44; Y10T 16/458; Y10T 16/498; Y10T 16/476; Y10T 16/459; Y10T 16/466; Y10T 16/4713; Y10T 16/4644; Y10T 16/513; Y10T 16/509; Y10T 16/473; Y10T 16/462; Y10T 16/4701; Y10T 74/20732; Y10T 29/49826; Y10T 16/4719; Y10T 16/455; Y10T 16/4559; Y10T 74/20828; Y10T 74/20738; Y10T 74/20762; Y10T 16/4628; Y10T 74/20864; Y10T 16/4567; Y10T 16/4576; Y10T 16/501; Y10T 16/86

(57) **CLAIM**
The ornamental design for a support accessory, as shown and described.

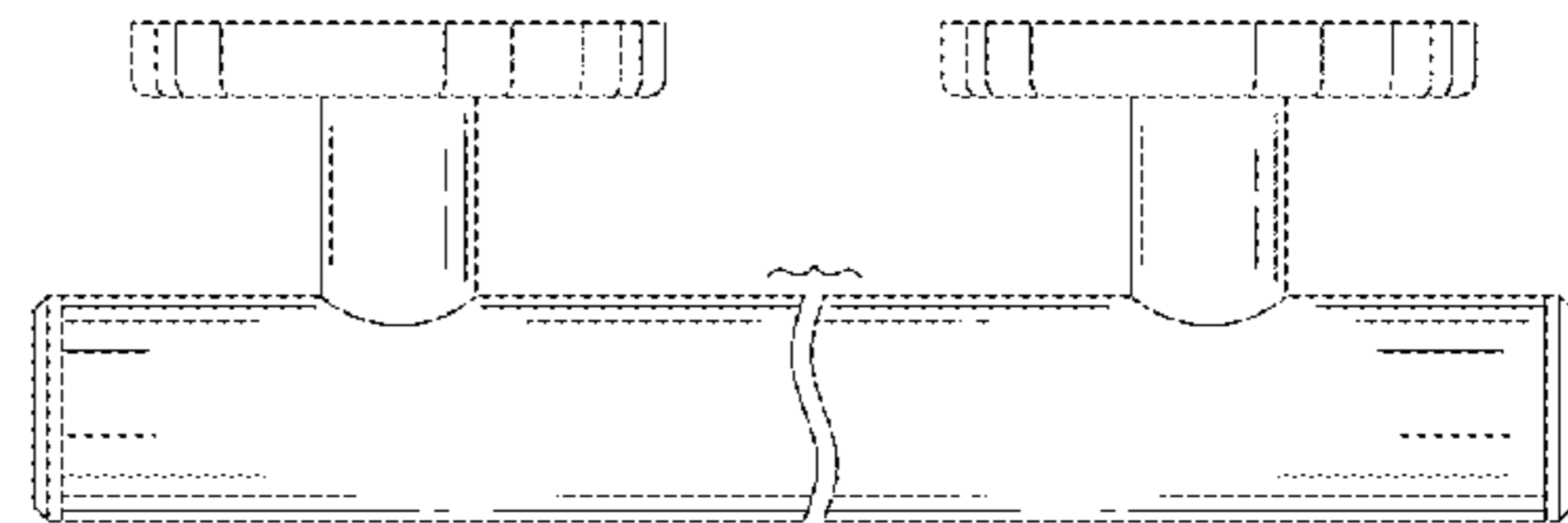
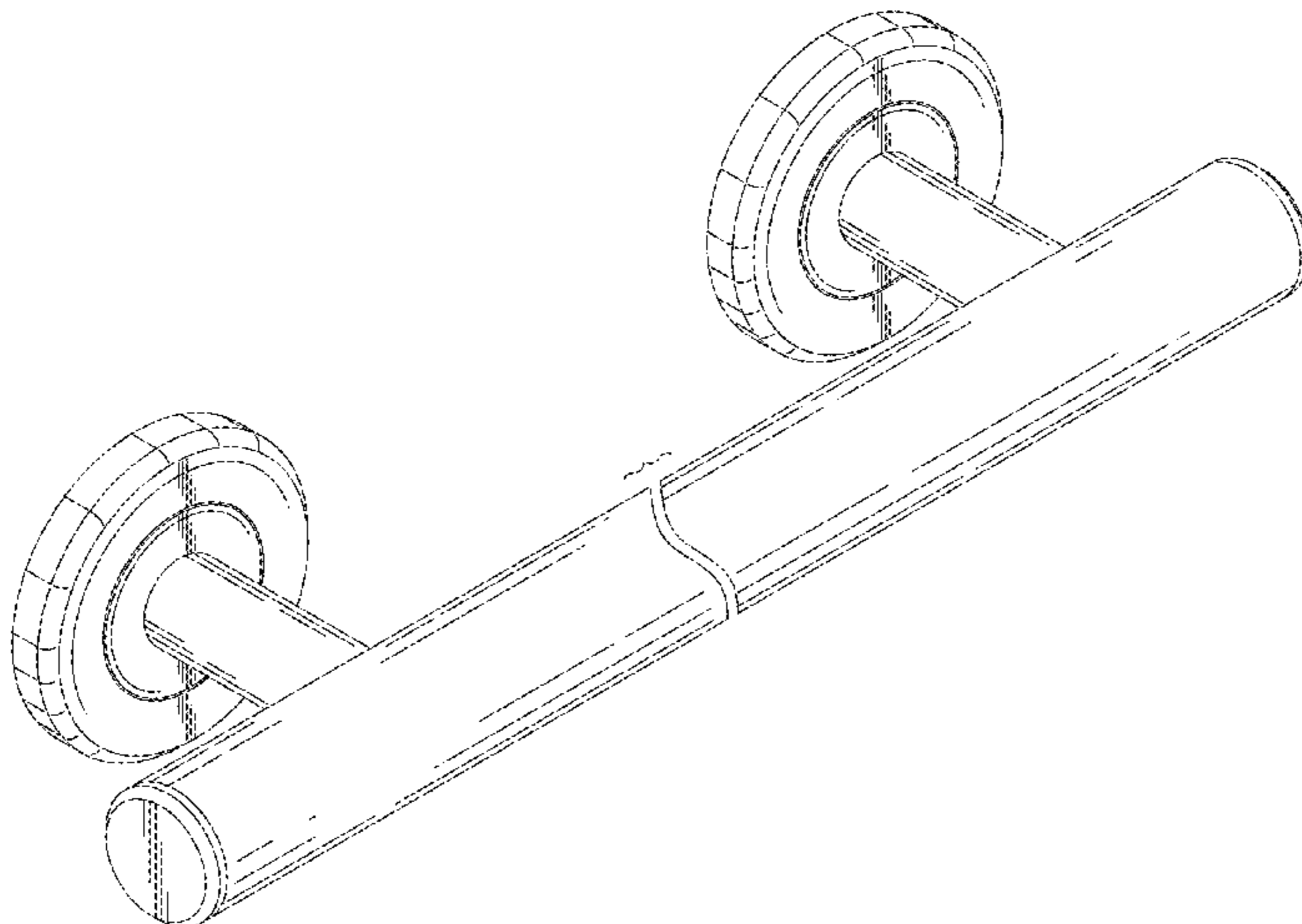
See application file for complete search history.

DESCRIPTION

FIG. 1 is a top, front, and left side perspective view of a support accessory showing my new design; FIG. 2 is a front elevation view thereof; FIG. 3 is a rear elevation view thereof; FIG. 4 is a top plan view thereof, the bottom plan view being a mirror image; and, FIG. 5 is a left side elevation view thereof, the right side elevation view being a mirror image. The broken lines represent unclaimed subject matter and form no part of the claimed design. The claim is shown with a symbolic break in its length. The appearance of any portion of the article between the break lines forms no part of the claimed design.

(56) **References Cited**
U.S. PATENT DOCUMENTS
D274,123 S * 6/1984 Tegner D8/316
D299,110 S * 12/1988 Jans D8/316

1 Claim, 3 Drawing Sheets



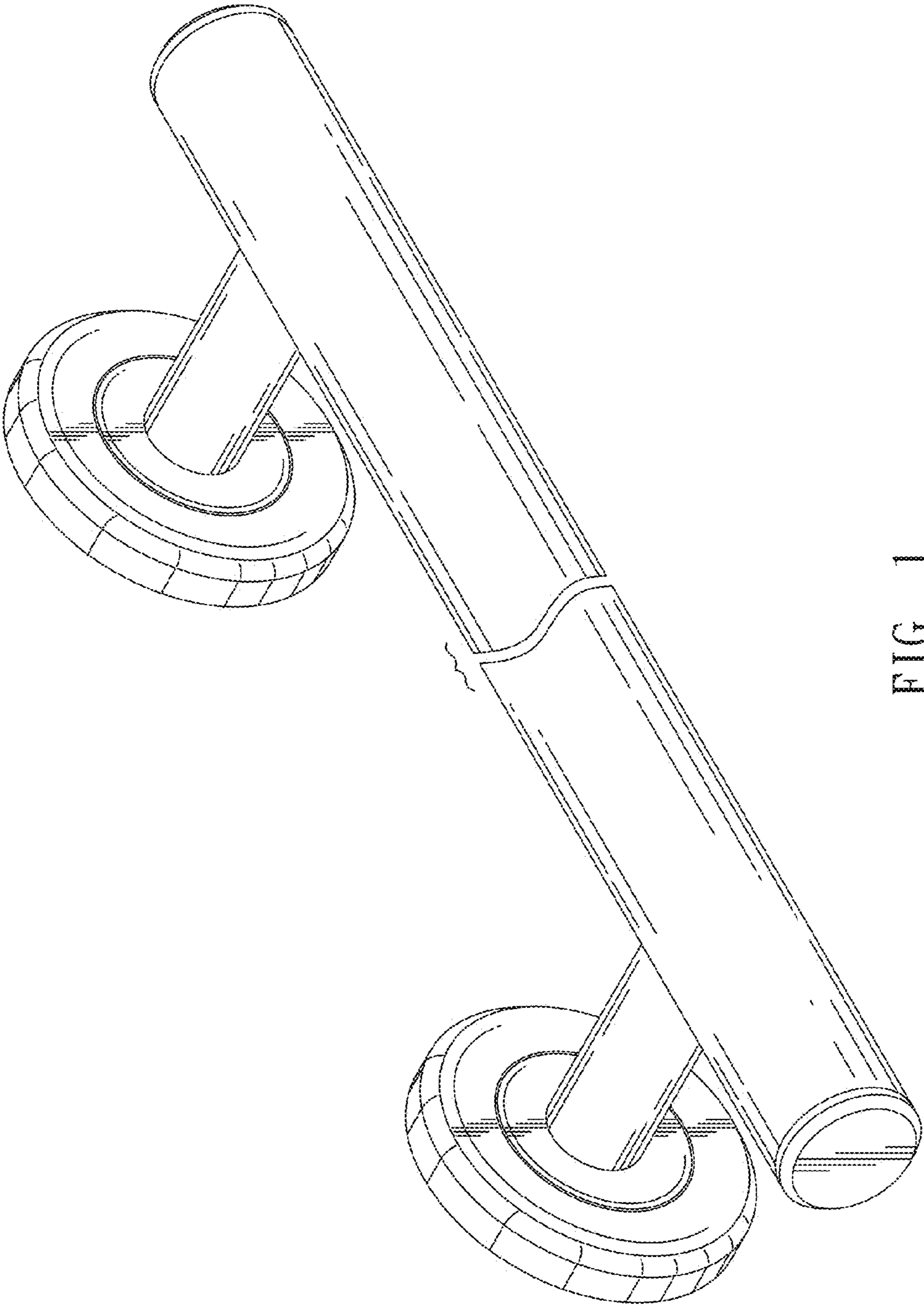


FIG. 1

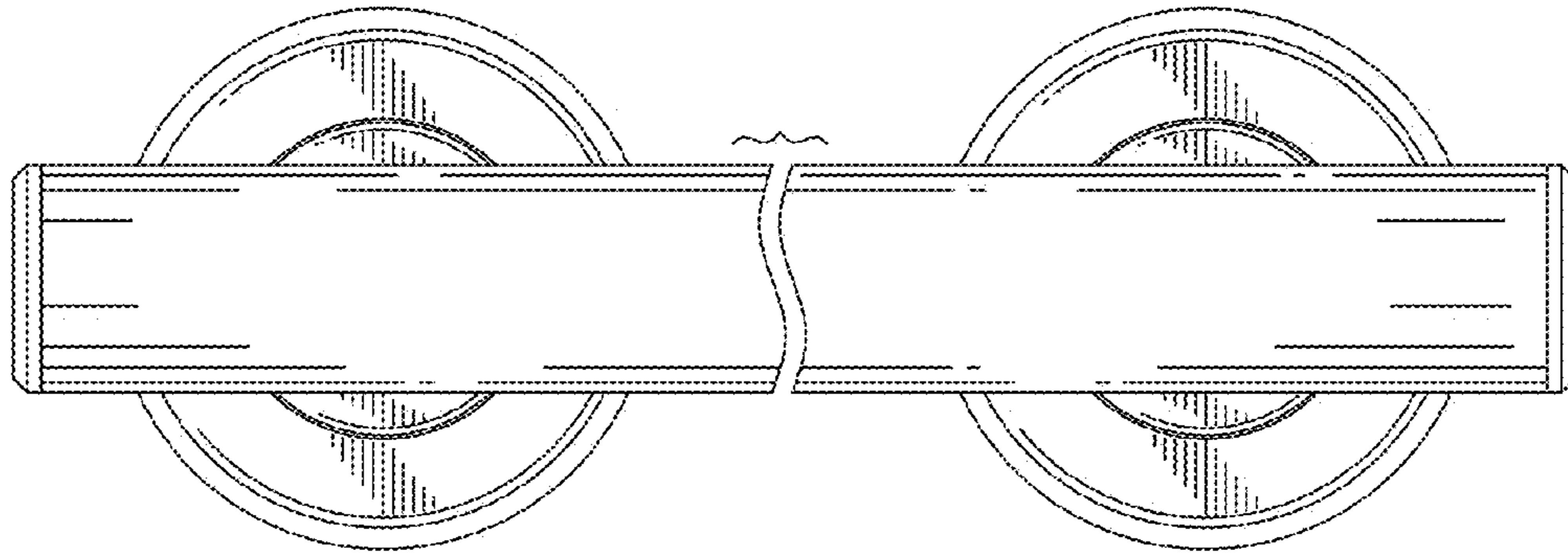


FIG. 2

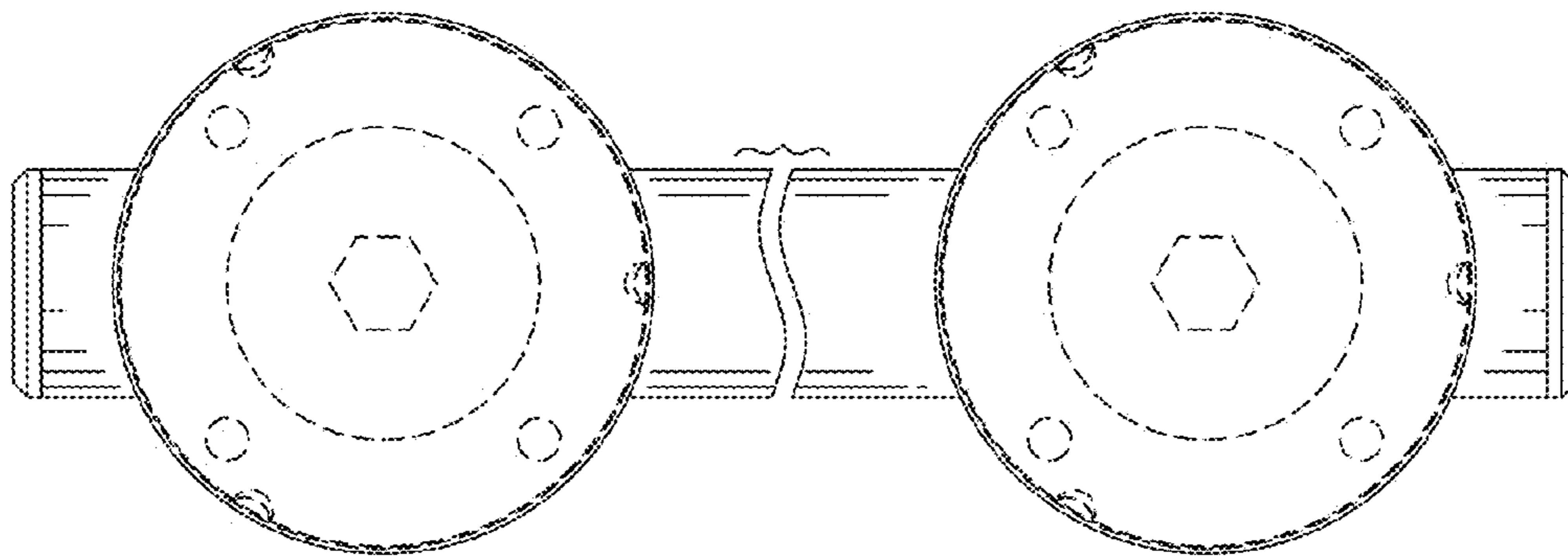


FIG. 3

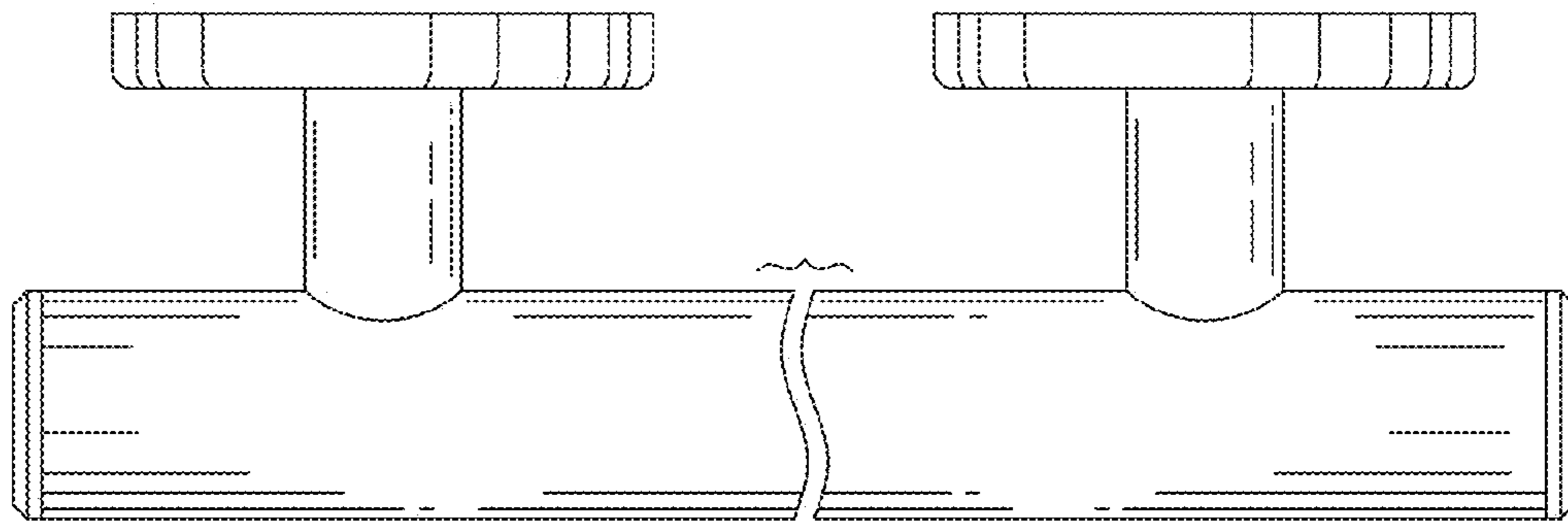


FIG. 4

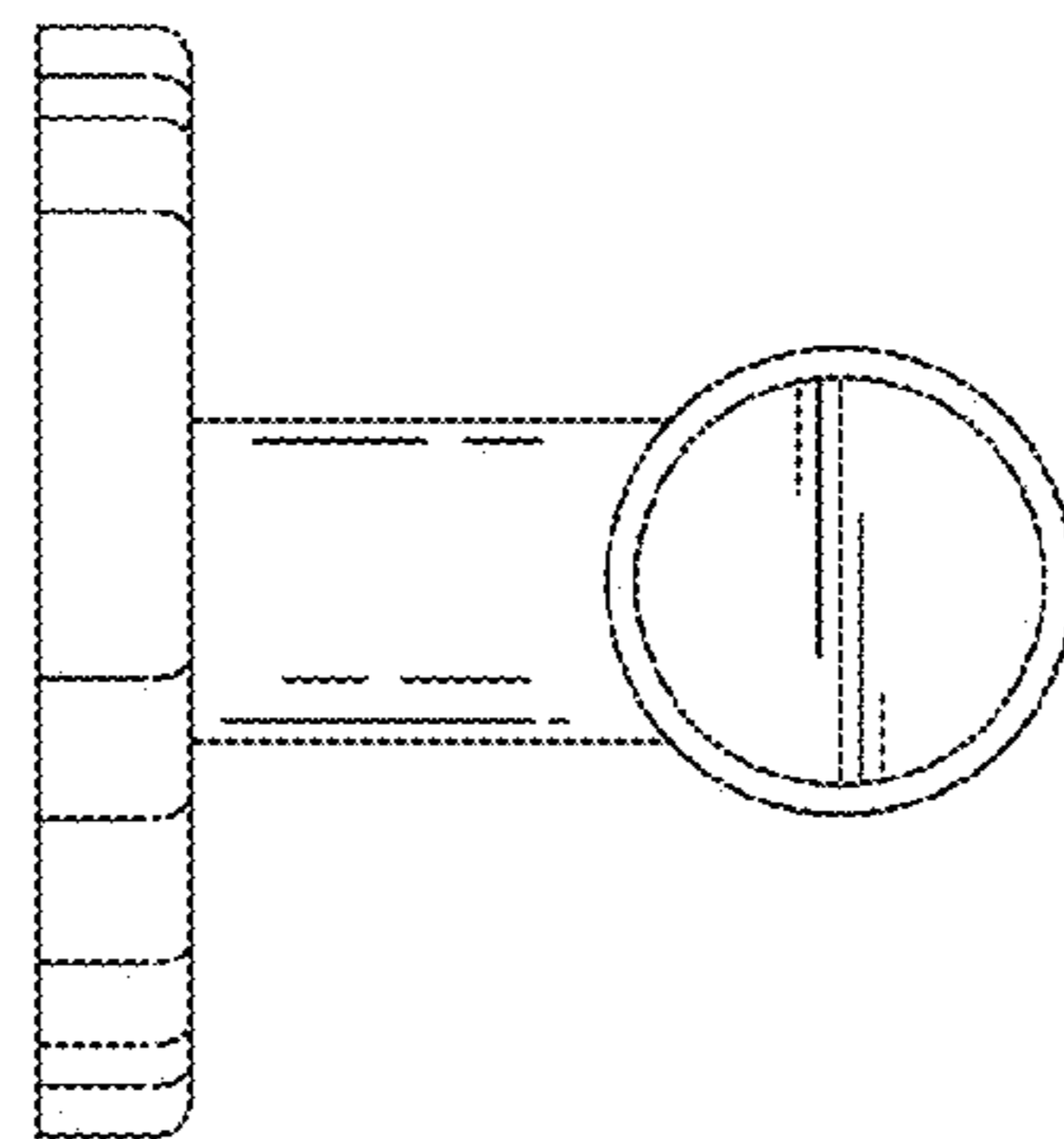


FIG. 5