



US00D740097S

(12) **United States Design Patent**
Truesdale et al.

(10) **Patent No.:** **US D740,097 S**

(45) **Date of Patent:** **** Oct. 6, 2015**

(54) **POWER TOOL**

(71) Applicants: **Robert Bosch Tool Corporation**,
Broadview, IL (US); **Robert Bosch GmbH**, Stuttgart (DE)

(72) Inventors: **Timothy L. Truesdale**, Lindenhurst, IL (US); **James Dangora**, Chicago, IL (US); **Collin Ostergaard**, Chicago, IL (US)

(73) Assignee: **Robert Bosch GmbH**, Stuttgart (DE)

(**) Term: **14 Years**

(21) Appl. No.: **29/479,675**

(22) Filed: **Jan. 17, 2014**

(51) **LOC (10) Cl.** **08-01**

(52) **U.S. Cl.**
USPC **D8/67**

(58) **Field of Classification Search**
USPC D8/61, 67, 70, 107; 409/182, 180, 134, 409/132, 131; 144/48.6, 252.1, 154.5, 144/136.95
CPC B27C 5/10; B29C 2059/02; B27D 5/006; B23B 45/00; E04F 2019/00; B27G 13/00
See application file for complete search history.

(56) **References Cited**

U.S. PATENT DOCUMENTS

D281,218 S *	11/1985	Barrett et al.	D8/67
D473,439 S *	4/2003	Grant et al.	D8/61
D495,226 S *	8/2004	Grant et al.	D8/61
D511,079 S *	11/2005	Ozawa et al.	D8/67
D538,614 S *	3/2007	Aglassinger	D8/61
D546,654 S *	7/2007	Etter et al.	D8/67

D553,930 S *	10/2007	Robson	D8/67
D567,613 S *	4/2008	Steinfels	D8/67
D584,590 S *	1/2009	Etter et al.	D8/67
D588,428 S *	3/2009	Etter et al.	D8/67
D619,436 S *	7/2010	Baker et al.	D8/61

* cited by examiner

Primary Examiner — Austin Murphy

(74) *Attorney, Agent, or Firm* — Maginot Moore & Beck LLP

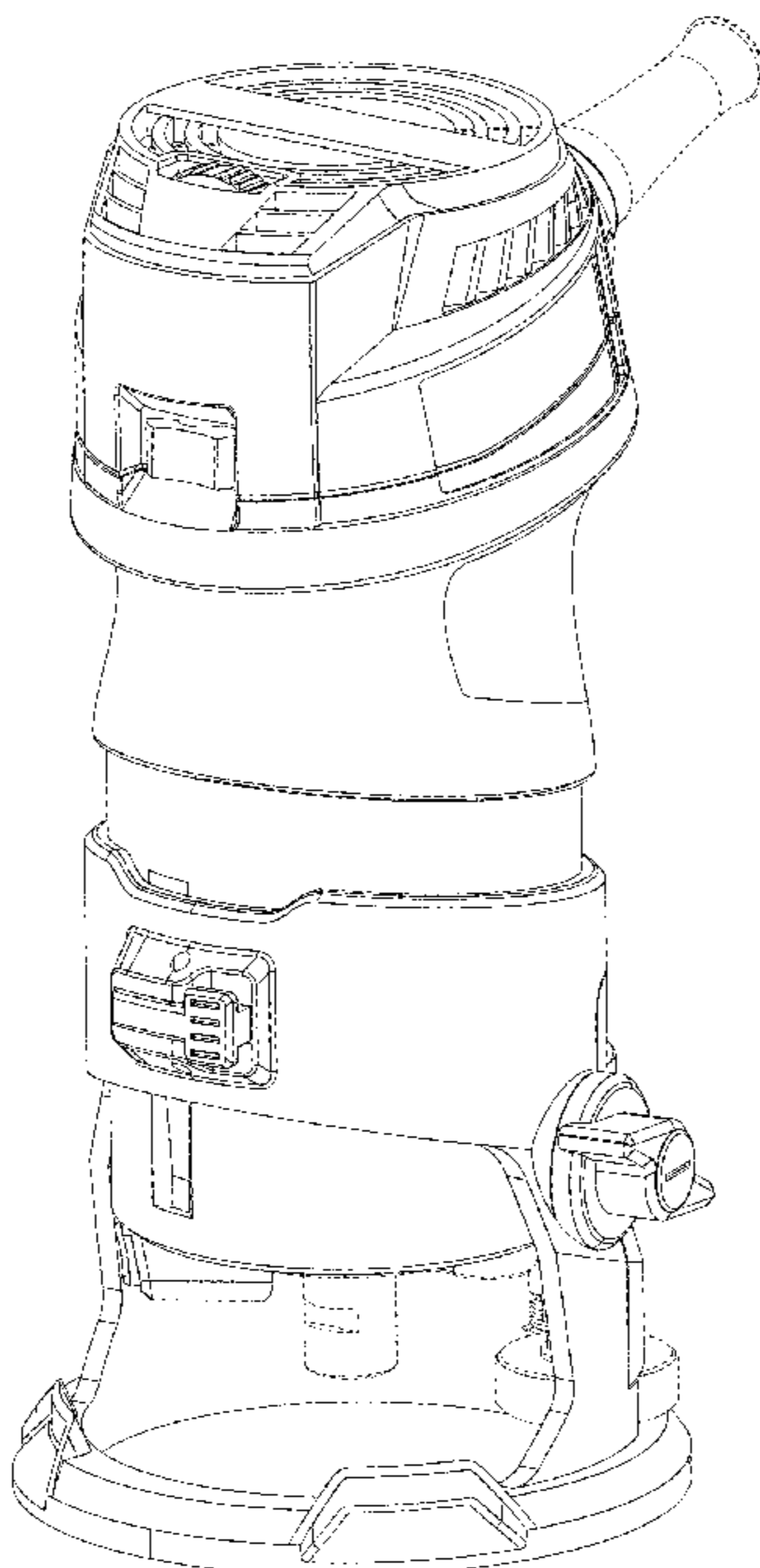
(57) **CLAIM**

The ornamental design for a power tool, as shown and described.

DESCRIPTION

FIG. 1 is a front perspective view of a power tool showing our new design;
 FIG. 2 is a right side perspective view showing the design for the power tool of FIG. 1;
 FIG. 3 is a front elevational view showing the design for the power tool of FIG. 1;
 FIG. 4 is a rear elevational view showing the design for the power tool of FIG. 1;
 FIG. 5 is a left side elevational view showing the design for the power tool of FIG. 1;
 FIG. 6 is a right side elevational view showing the design for the power tool of FIG. 1;
 FIG. 7 is a top plan view showing the design for the power tool of FIG. 1; and,
 FIG. 8 is a bottom plan view showing the design for the power tool of FIG. 1.
 The broken lines shown in the figures illustrate portions of the power tool that form no part of the claimed design.

1 Claim, 8 Drawing Sheets



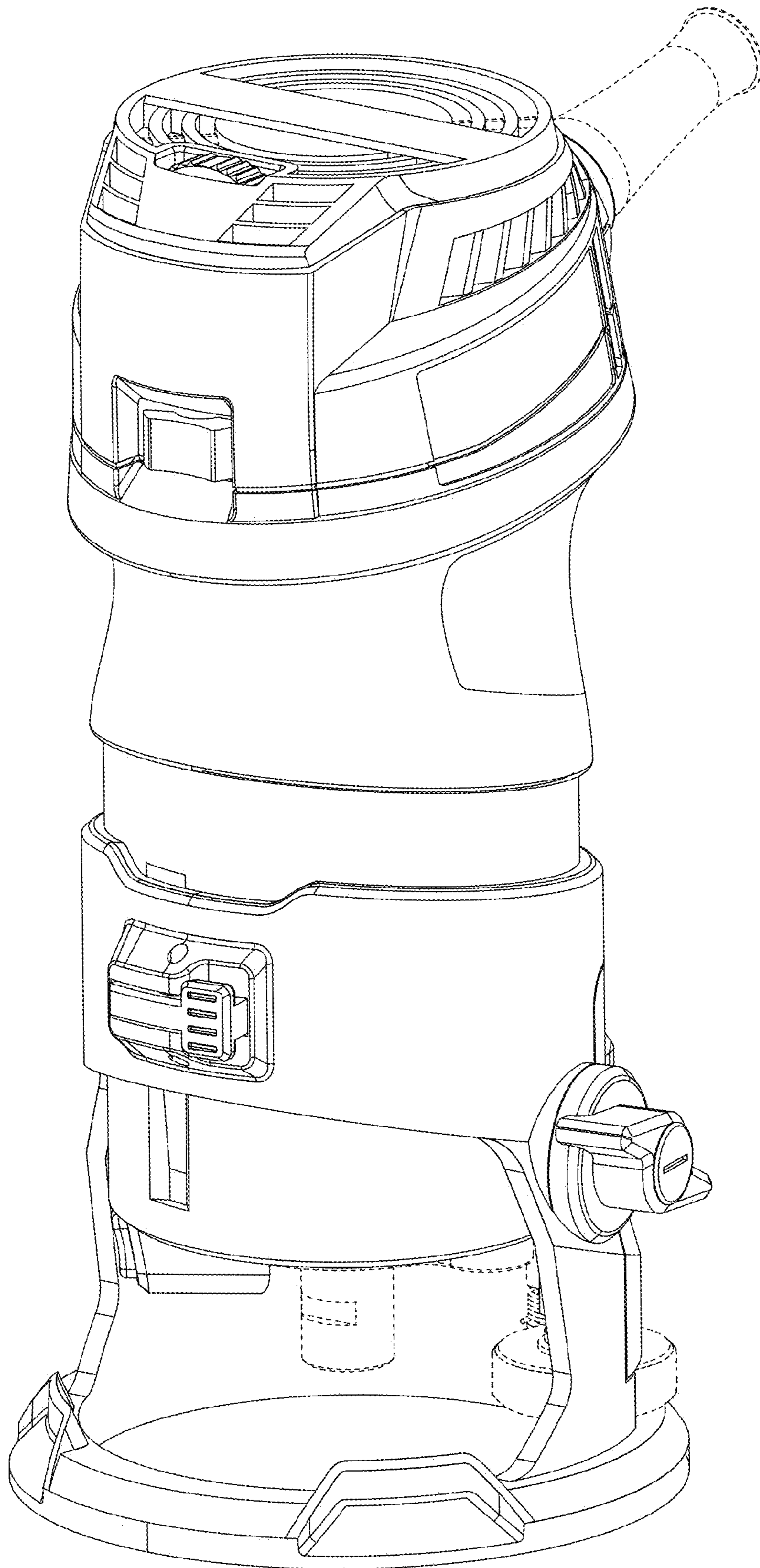


FIG. 1

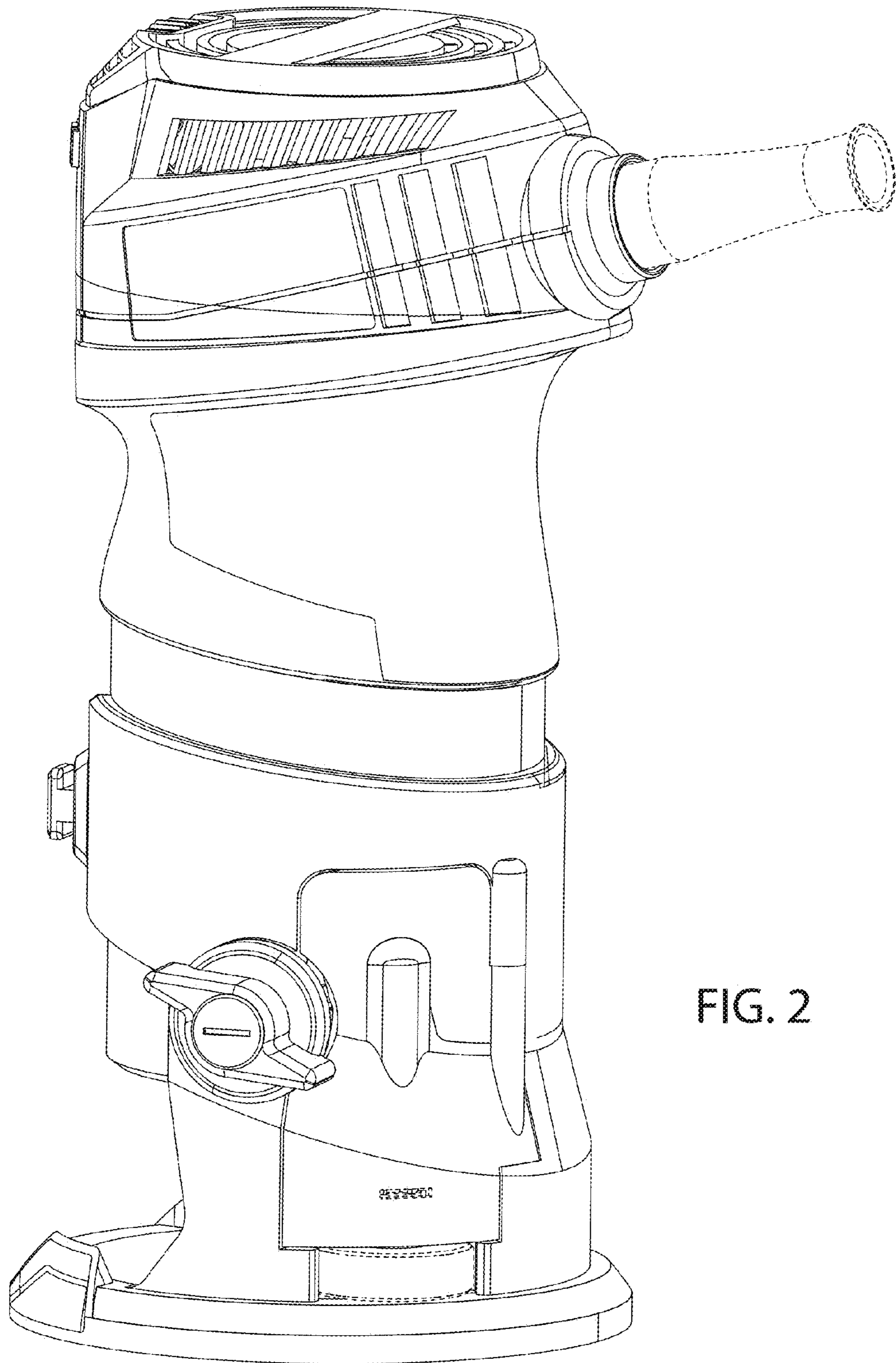


FIG. 2

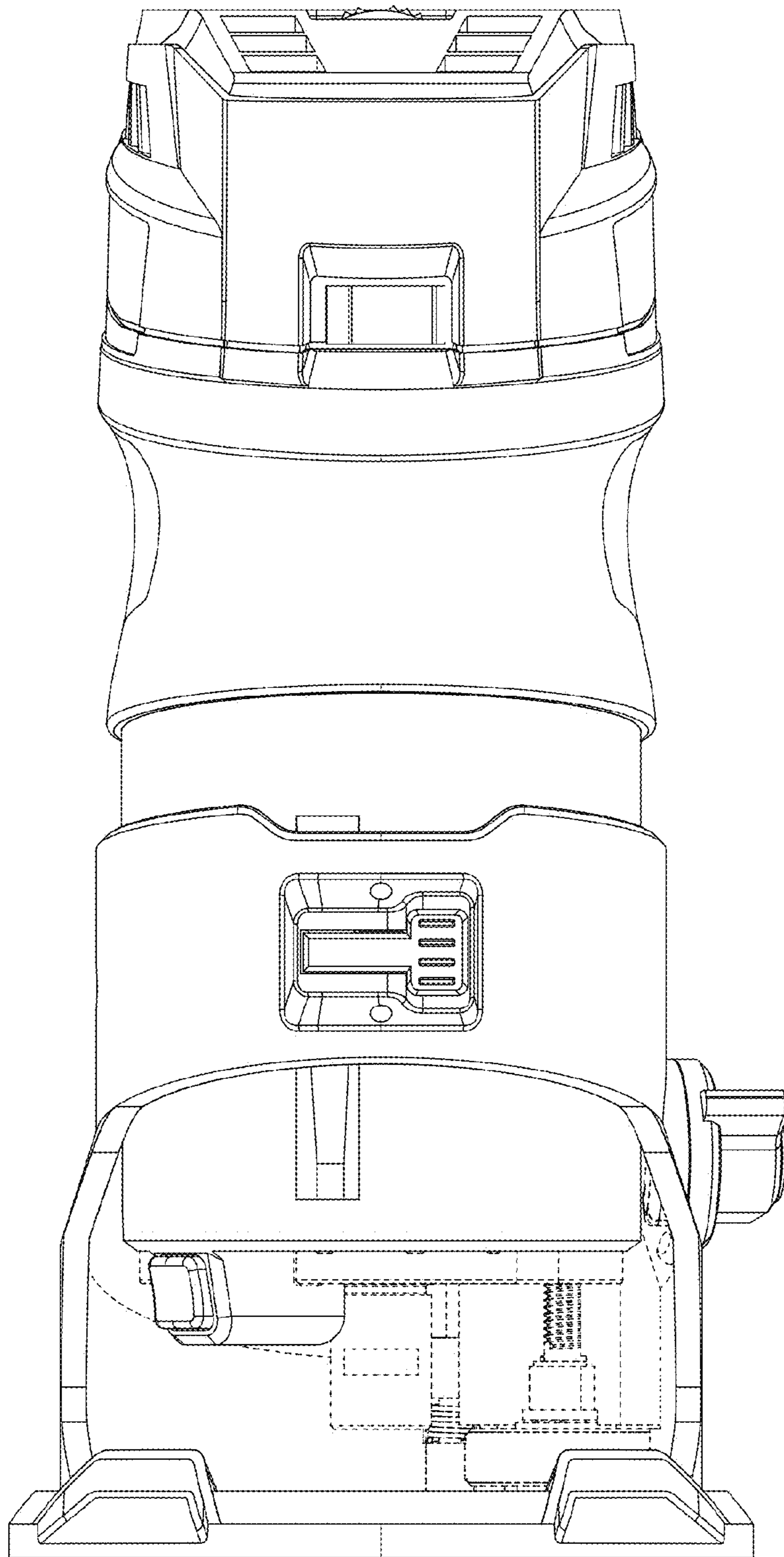


FIG. 3

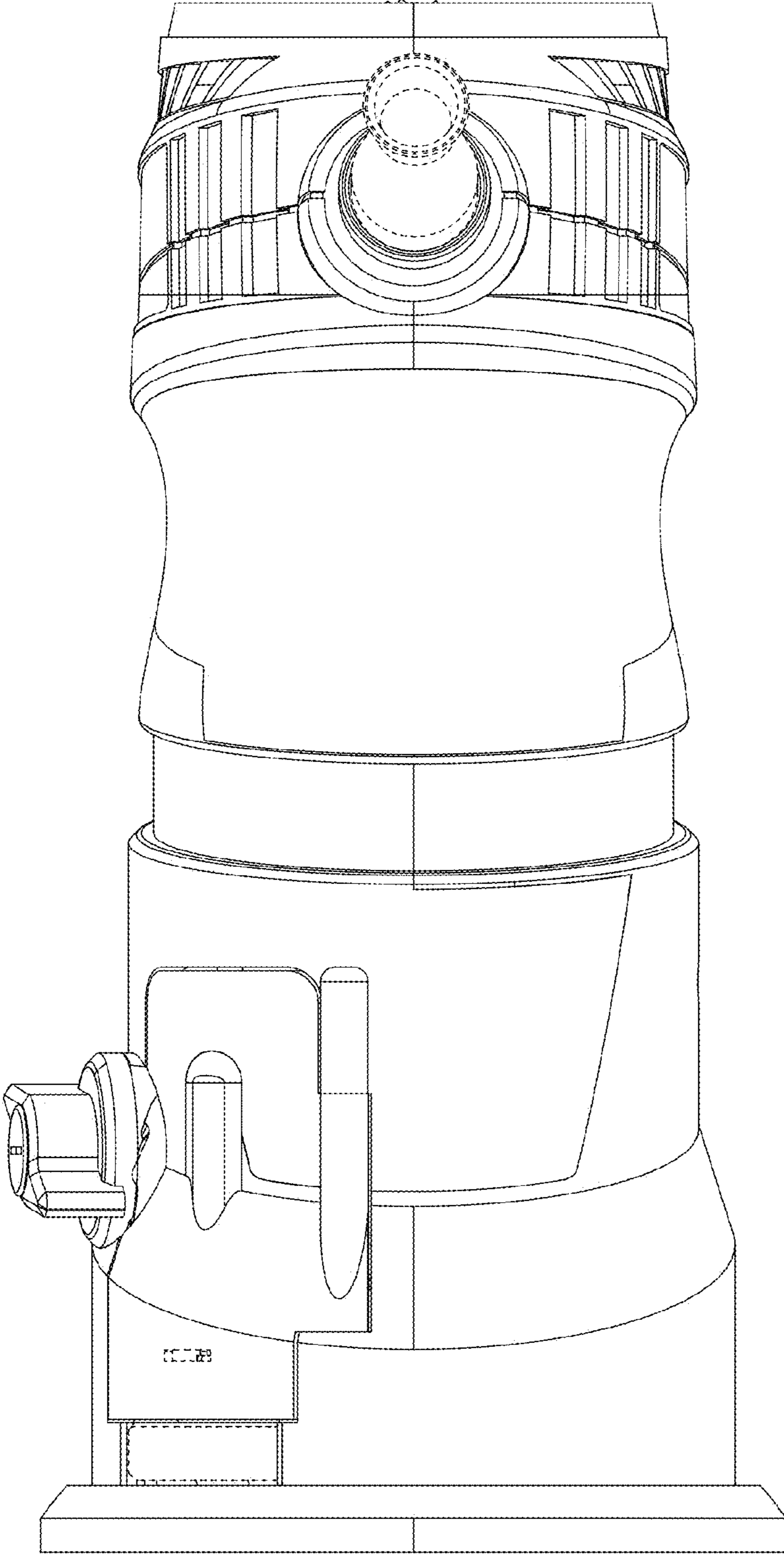


FIG. 4

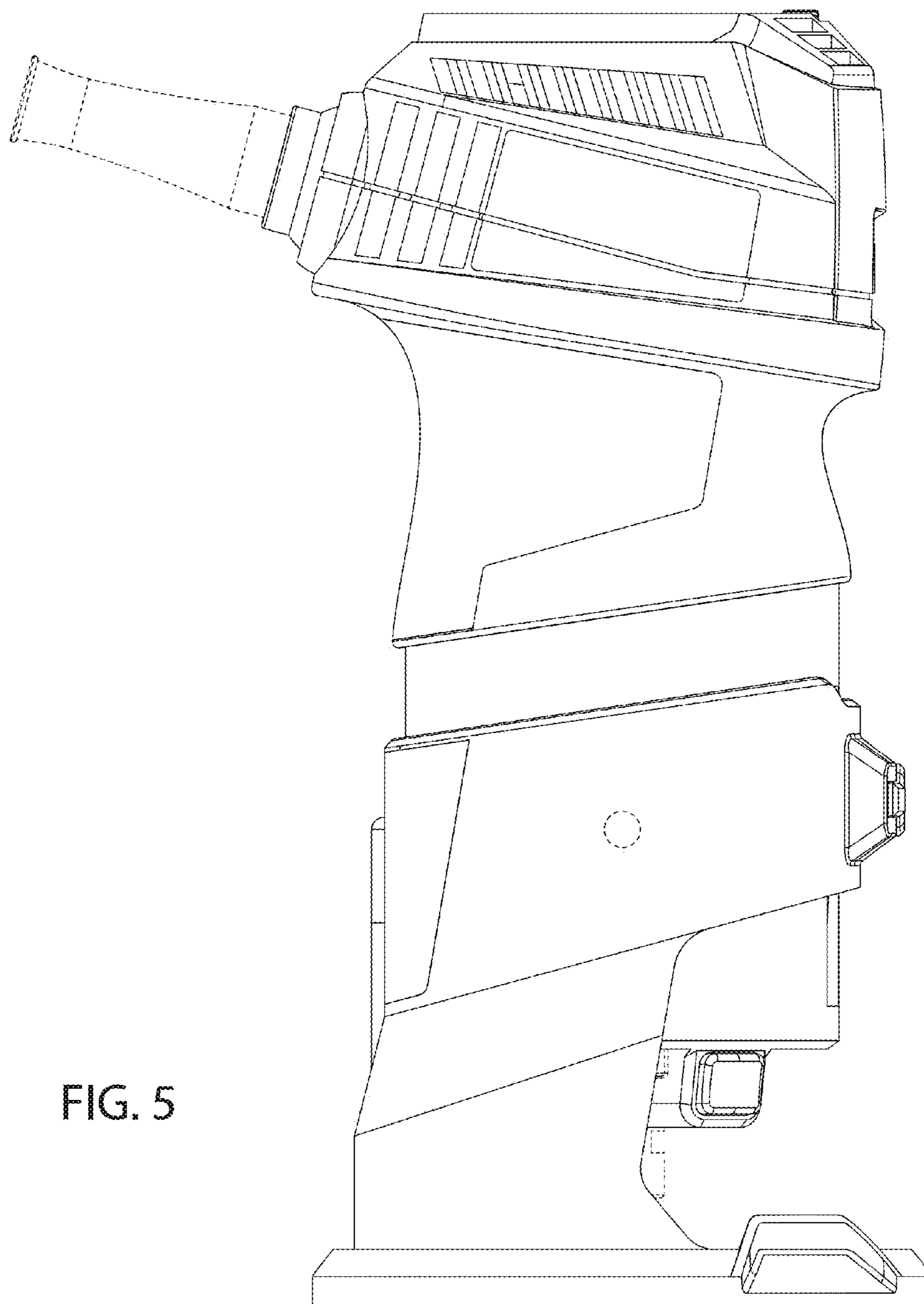


FIG. 5

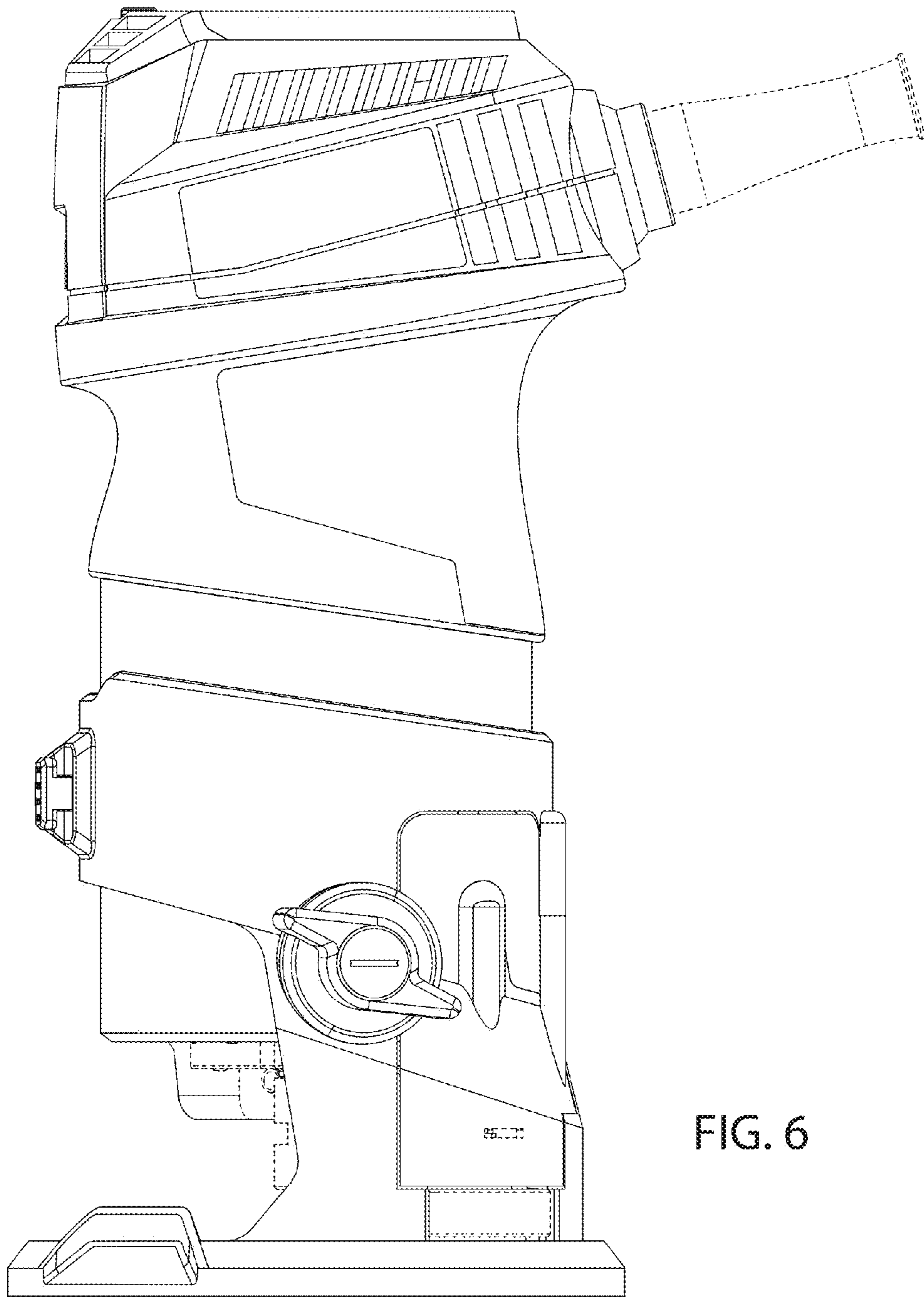


FIG. 6

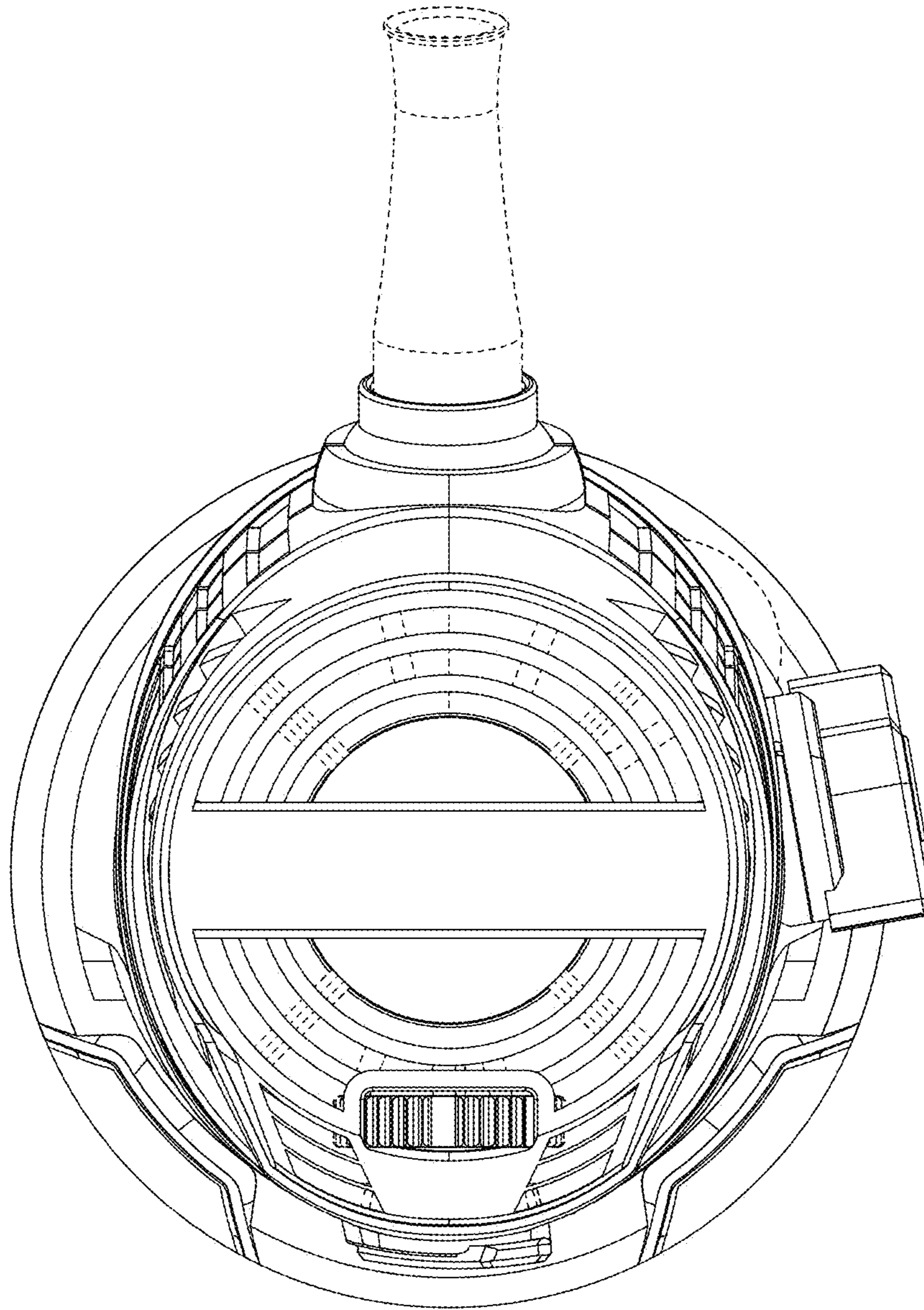


FIG. 7

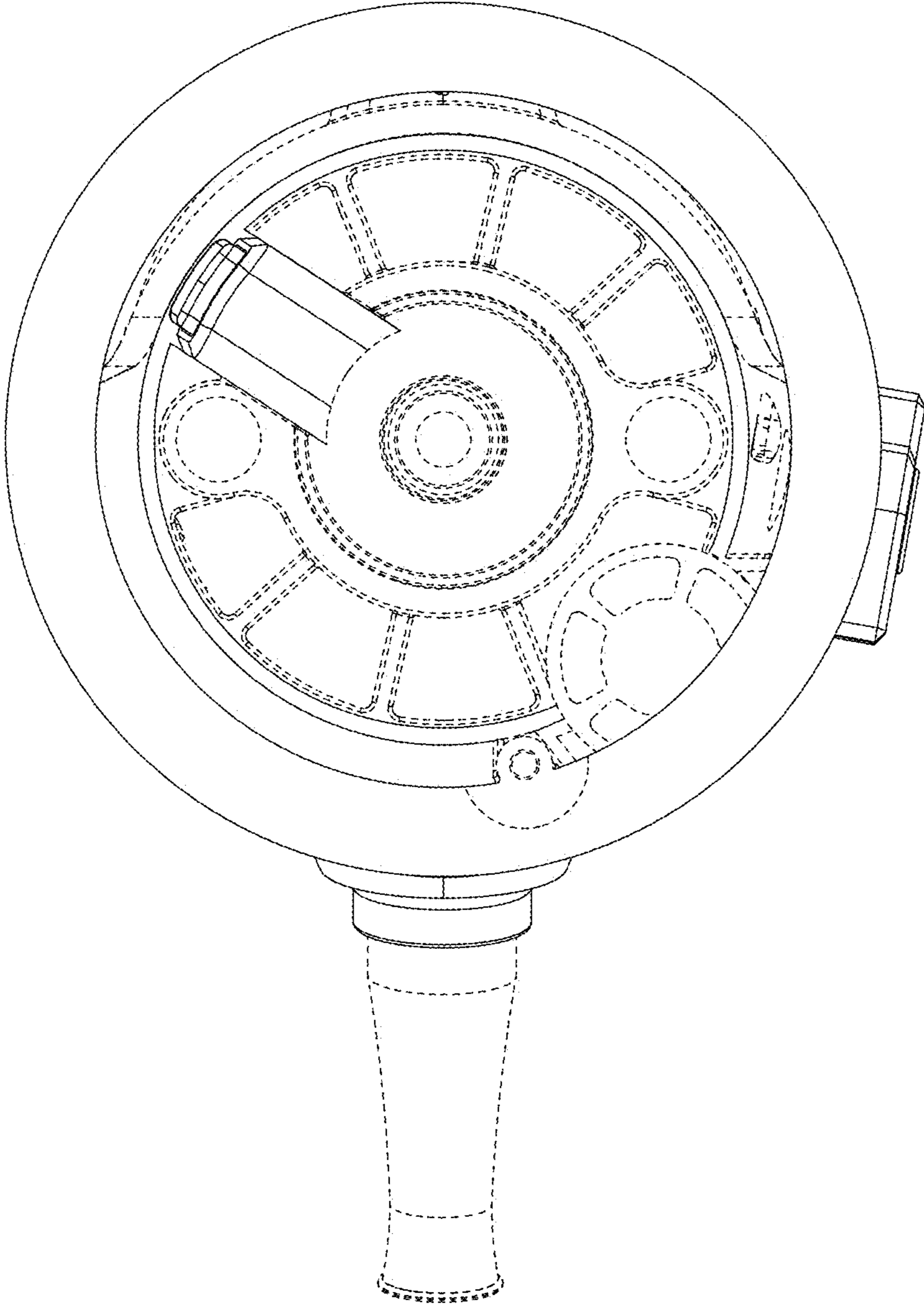


FIG. 8