



US00D740092S

(12) **United States Design Patent**
Notaro

(10) **Patent No.:** **US D740,092 S**

(45) **Date of Patent:** **** Oct. 6, 2015**

(54) **CAN OPENING TOOL**

(71) Applicant: **Samuel Jeremiah Notaro**, Southold, NY
(US)

(72) Inventor: **Samuel Jeremiah Notaro**, Southold, NY
(US)

(**) Term: **14 Years**

(21) Appl. No.: **29/500,011**

(22) Filed: **Aug. 20, 2014**

(51) **LOC (10) Cl.** **07-99**

(52) **U.S. Cl.**
USPC **D8/38**

(58) **Field of Classification Search**
USPC D8/16, 18, 19, 33-43, 89, 98-104;
D9/600, 680; D22/104
CPC B67B 7/00; B67B 7/14; B67B 7/16;
B67B 7/24; B67B 7/30; B67B 7/32; B67B
7/34; B67B 7/36; B67B 7/38; B67B 7/44
See application file for complete search history.

(56) **References Cited**

U.S. PATENT DOCUMENTS

D214,496 S * 6/1969 Critcher D22/104
D251,913 S * 5/1979 Romano D22/104

D251,914 S * 5/1979 Romano D22/104
D274,639 S * 7/1984 Seminiano D22/104
D297,345 S * 8/1988 Hartfelder D22/104
D301,828 S * 6/1989 Wong D8/36
D312,672 S * 12/1990 Arnott D21/574
D338,054 S * 8/1993 Cummings D22/104
D377,077 S * 12/1996 Predazzer D22/104
D392,857 S * 3/1998 Lallemand D8/36
D420,717 S * 2/2000 Donnelly D22/104

* cited by examiner

Primary Examiner — Elizabeth Albert

(74) *Attorney, Agent, or Firm* — QuickPatents; Kevin Prince

(57) **CLAIM**

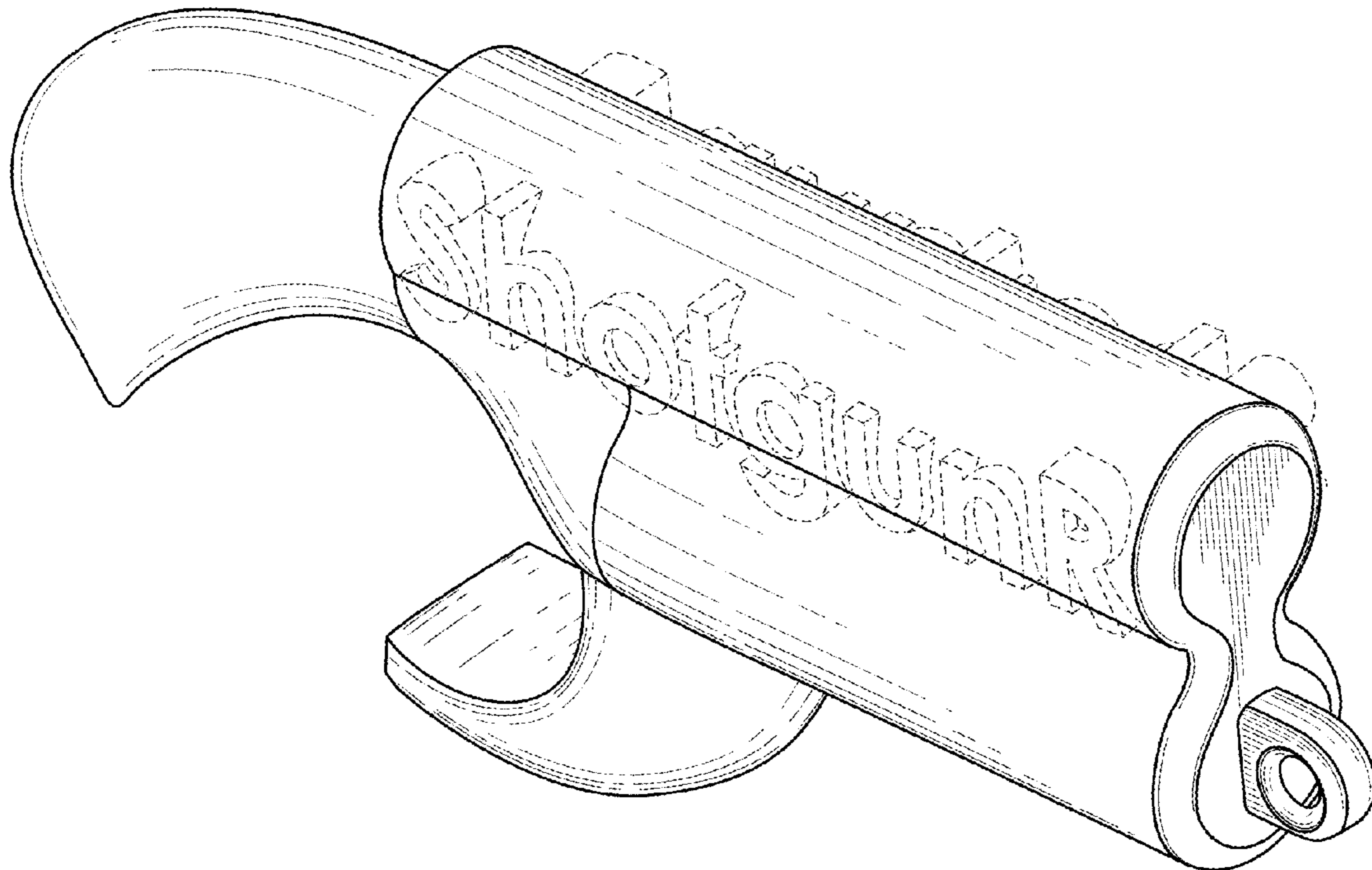
I claim the ornamental design for a can opening tool, as shown and described.

DESCRIPTION

FIG. 1 is a perspective view of a can opening tool, showing my new design;
FIG. 2 is a rear elevational view thereof;
FIG. 3 is a front elevational view thereof;
FIG. 4 is a left-side elevational view thereof;
FIG. 5 is a right-side elevational view thereof;
FIG. 6 is a bottom plan view thereof; and,
FIG. 7 is a top plan view thereof.

The broken lines showing a logo in the figures depict environmental matter and form no part of the claimed design.

1 Claim, 5 Drawing Sheets



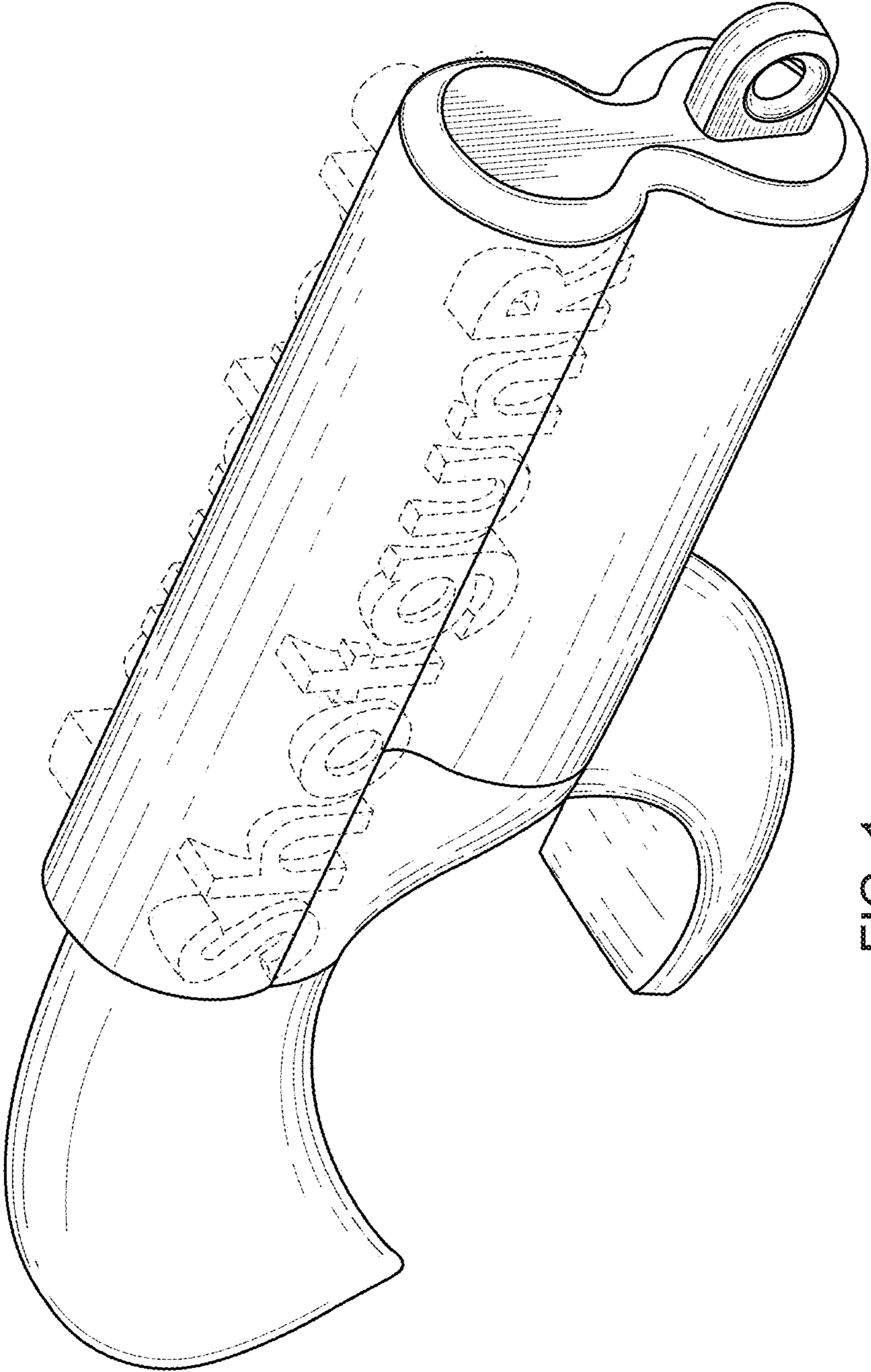


FIG. 1

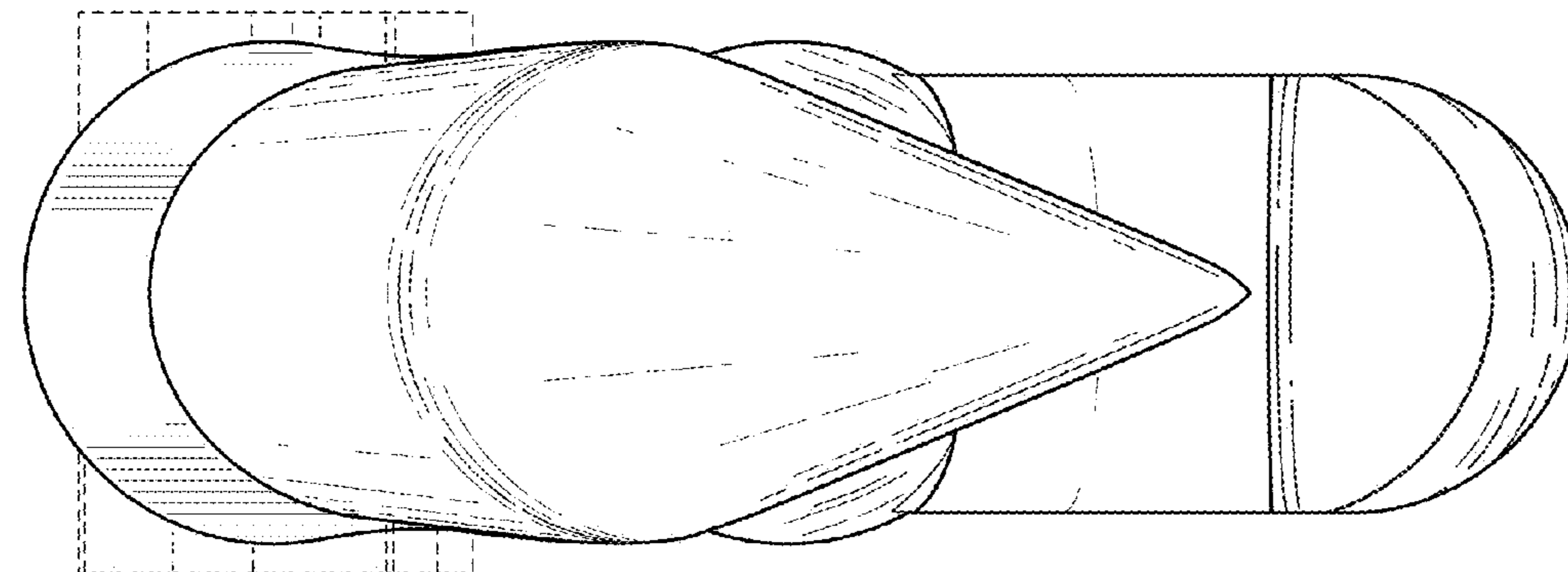


FIG. 2

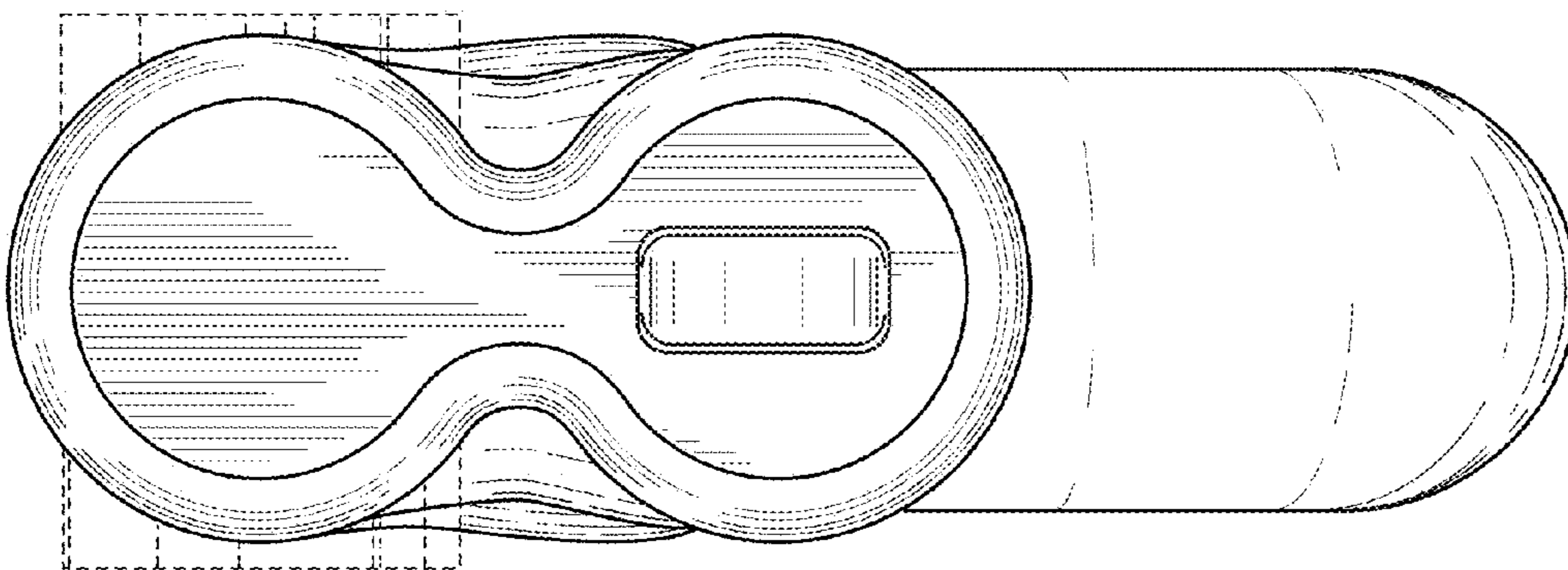


FIG. 3

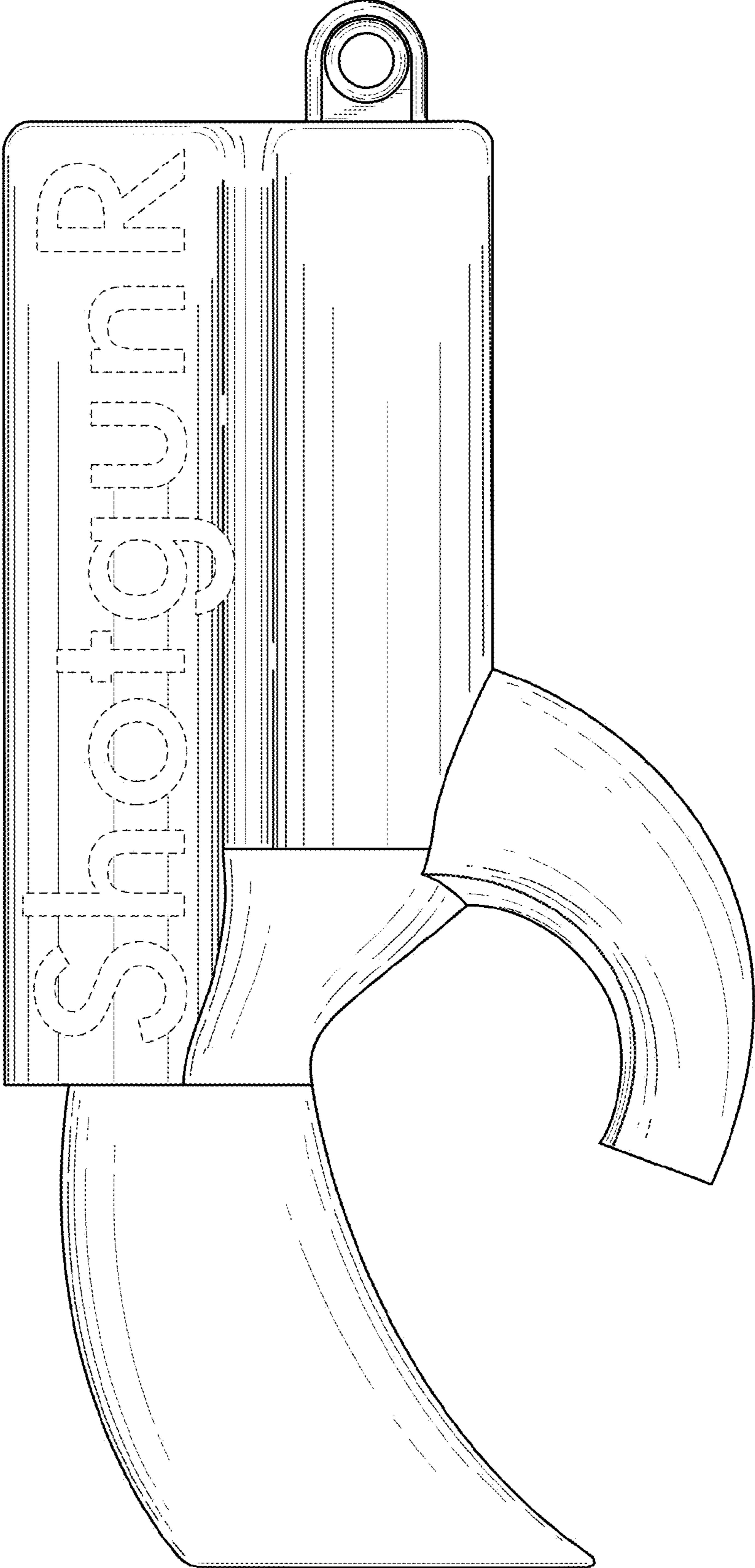


FIG. 4

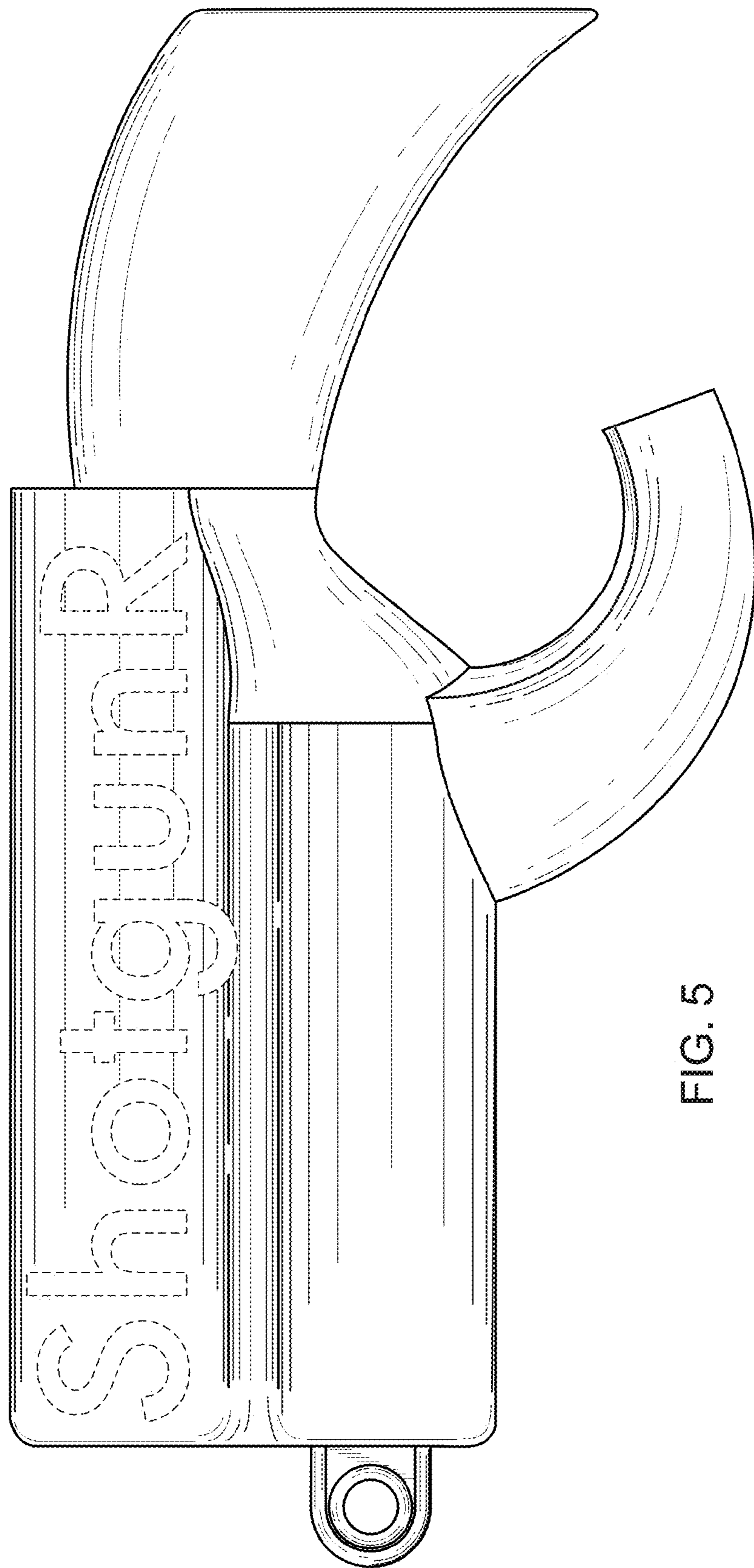


FIG. 5

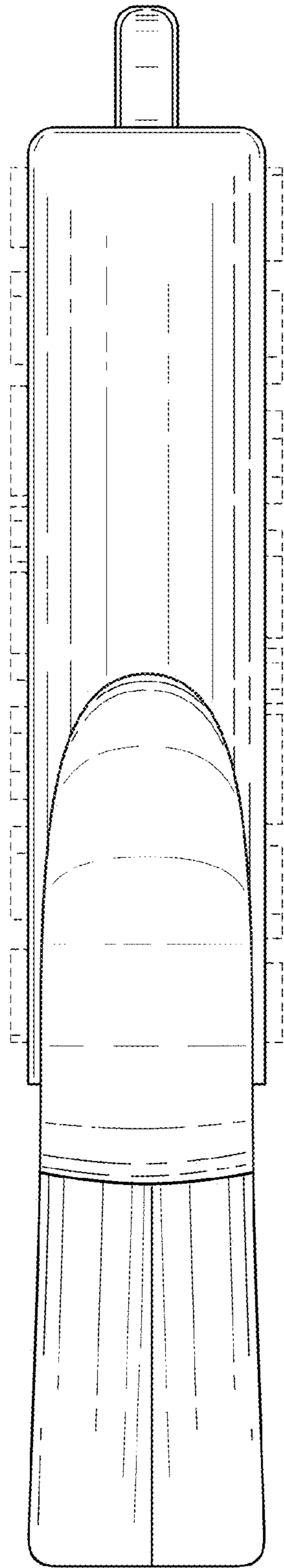


FIG. 6

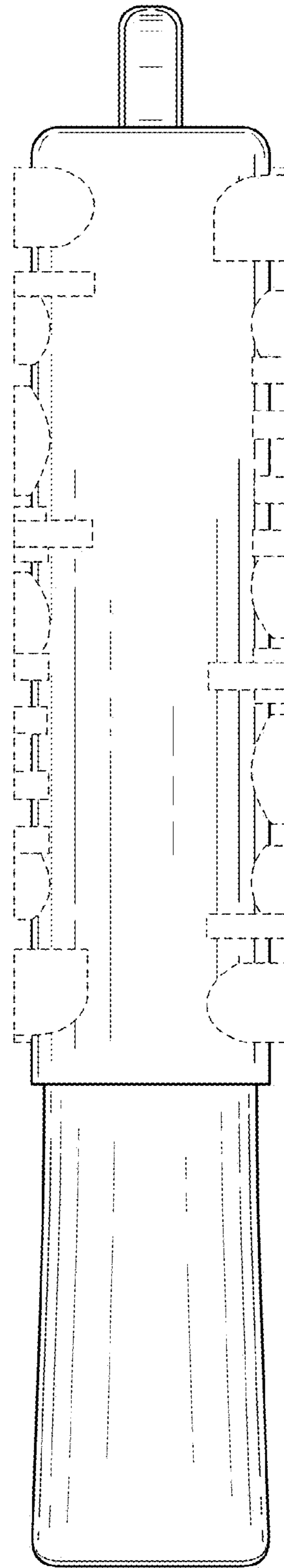


FIG. 7