



US00D740091S

(12) **United States Design Patent**
Mochizuki et al.

(10) **Patent No.:** **US D740,091 S**
(45) **Date of Patent:** **** Oct. 6, 2015**

(54) **DESOLDERING TOOL**

5,380,982 A * 1/1995 Fortune 219/230
6,057,527 A * 5/2000 Kilmer 219/227
6,127,656 A * 10/2000 Kilmer et al. 219/227

(71) Applicant: **Hakko Corporation**, Osaka-shi, Osaka (JP)

FOREIGN PATENT DOCUMENTS

(72) Inventors: **Toshikazu Mochizuki**, Osaka (JP); **Aiko Wakamatsu**, Osaka (JP)

JP 869243 5/1993

(73) Assignee: **Hakko Corporation**, Osaka-shi, Osaka (JP)

OTHER PUBLICATIONS

(**) Term: **14 Years**

Den-On Instruments Co., Ltd., Catalog for "The desoldering tool (SC-7000Z)" Jul. 2002.
Taiyo Electric Ind. Co., Ltd., printout of web site for "The desoldering tool (TP-100)" available at <http://www.goot.jp/suitori-rework/tp-100/> published on or before Jan. 14, 2014.

(21) Appl. No.: **29/495,600**

* cited by examiner

(22) Filed: **Jul. 2, 2014**

Primary Examiner — Phillip S Hyder

(30) **Foreign Application Priority Data**

(74) *Attorney, Agent, or Firm* — Squire Patton Boggs (US LLP)

Jan. 14, 2014 (JP) D2014-000446

(51) **LOC (10) Cl.** **08-03**

(57) **CLAIM**

(52) **U.S. Cl.**

The ornamental design for a desoldering tool, as shown and described.

USPC **D8/30**

DESCRIPTION

(58) **Field of Classification Search**

USPC D8/14, 29.1, 29.2, 30, 68
CPC B23K 1/00; B23K 1/08; B23K 3/00;
B23K 3/02

See application file for complete search history.

FIG. 1 is a first perspective view of a desoldering tool;
FIG. 2 is a second perspective view thereof;
FIG. 3 is a front view thereof;
FIG. 4 is a rear view thereof;
FIG. 5 is a left side view thereof;
FIG. 6 is a right side view thereof;
FIG. 7 is a top view thereof; and,
FIG. 8 is a bottom view thereof.

(56) **References Cited**

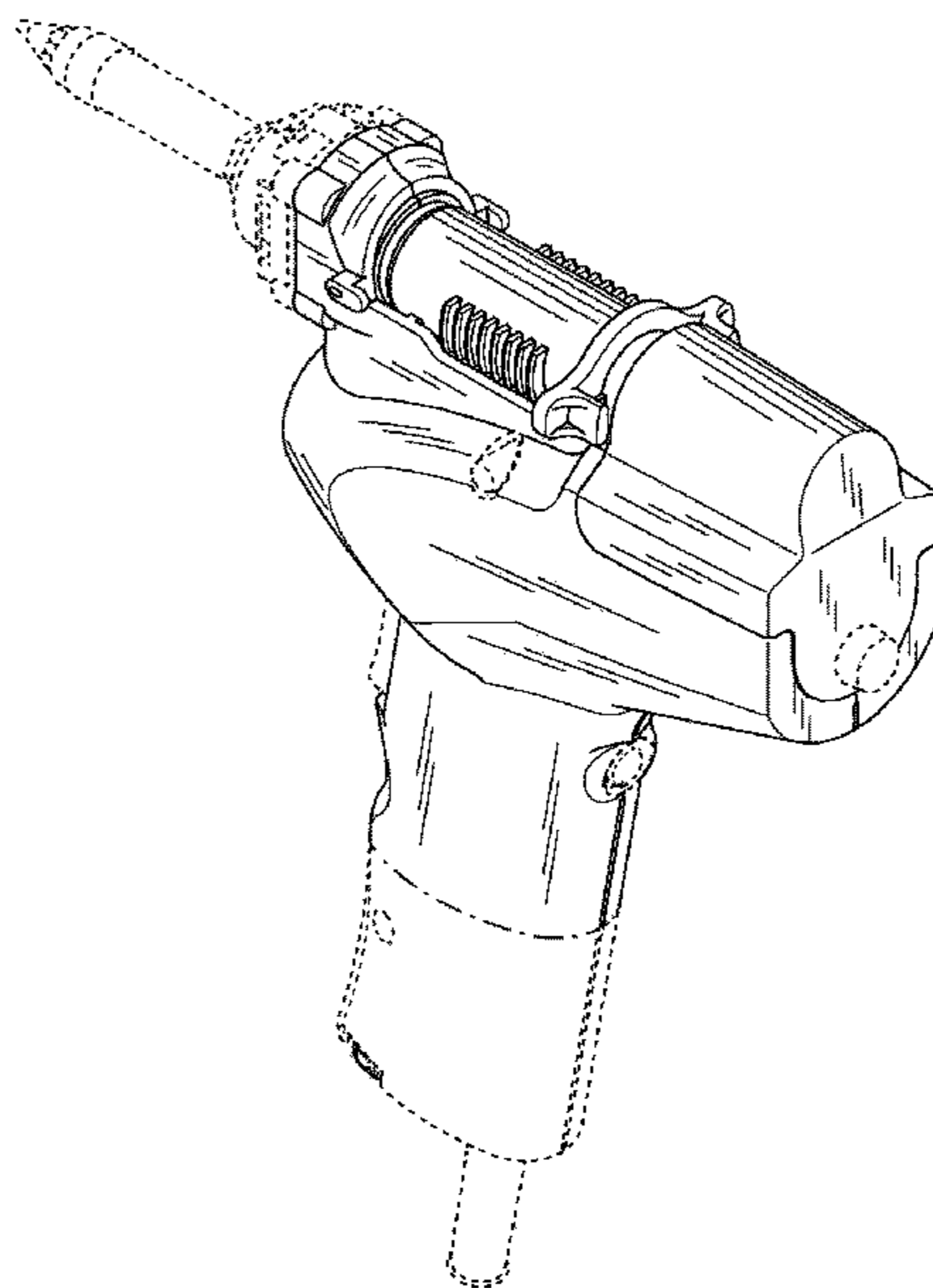
U.S. PATENT DOCUMENTS

2,882,380 A * 4/1959 Campo 228/20.5
3,884,409 A * 5/1975 Kaufman 228/20.5
4,574,994 A * 3/1986 Rauchwerger 228/20.5
4,779,786 A * 10/1988 Holdway 228/20.5
5,007,574 A * 4/1991 Carlomagno et al. 228/20.5
5,143,272 A * 9/1992 Carlomagno et al. 228/20.5
D348,593 S * 7/1994 Fortune D8/30

The broken lines depict portions of the desoldering tool in which the design is embodied that are not considered part of the claimed design.

The dashed lines show a borderline between the claimed design and other portion.

1 Claim, 6 Drawing Sheets



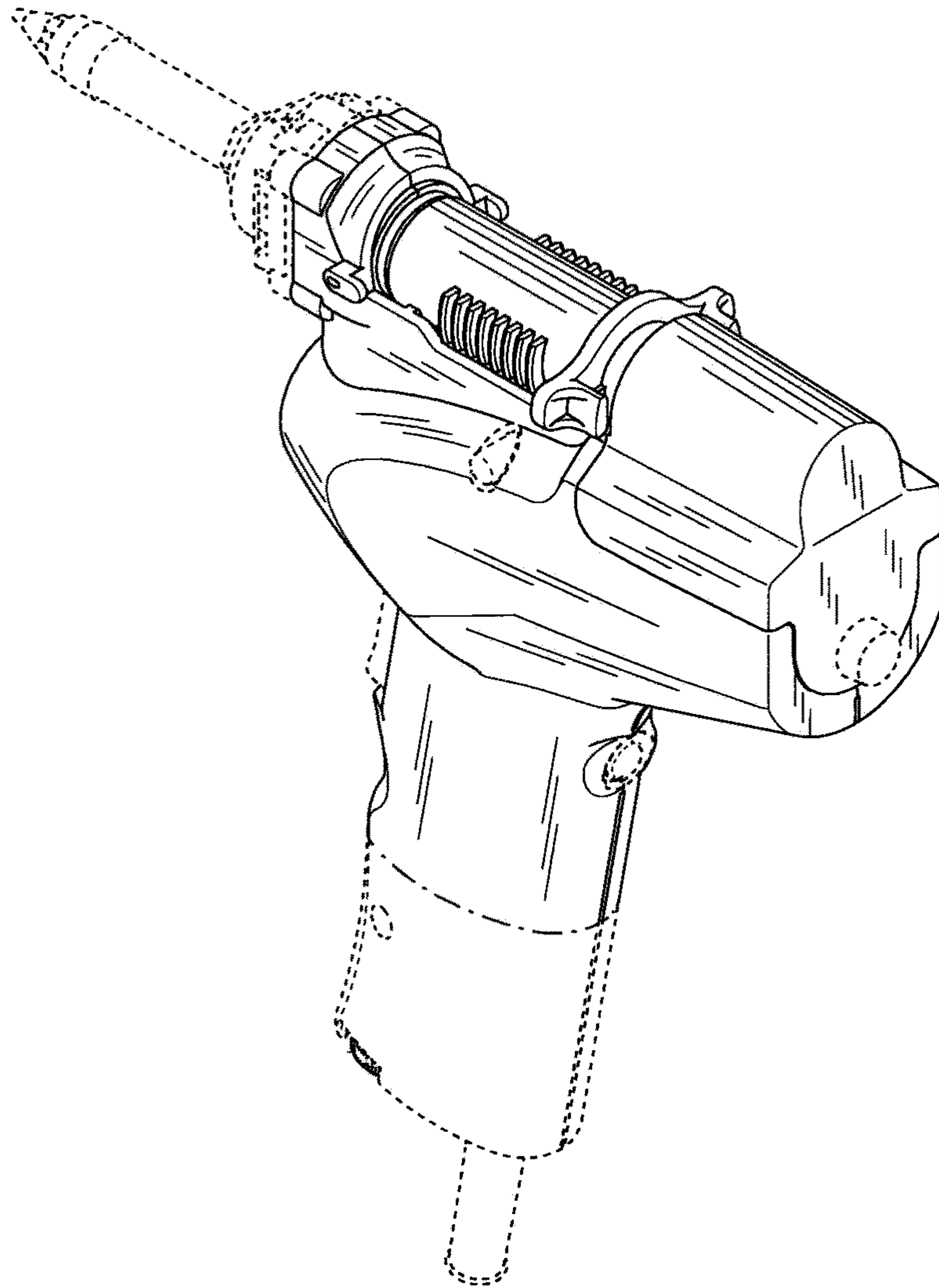


FIG. 1

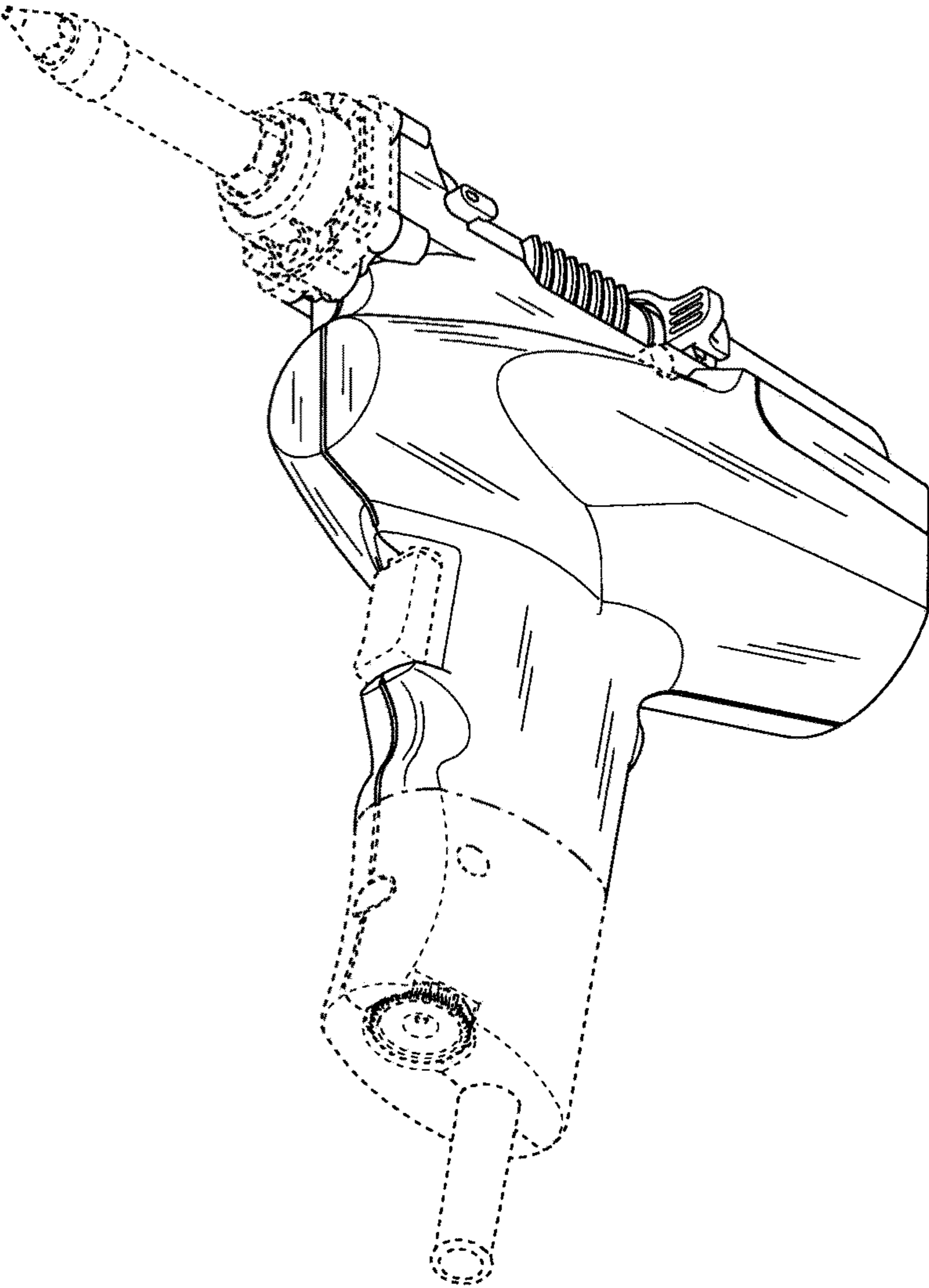


FIG.2

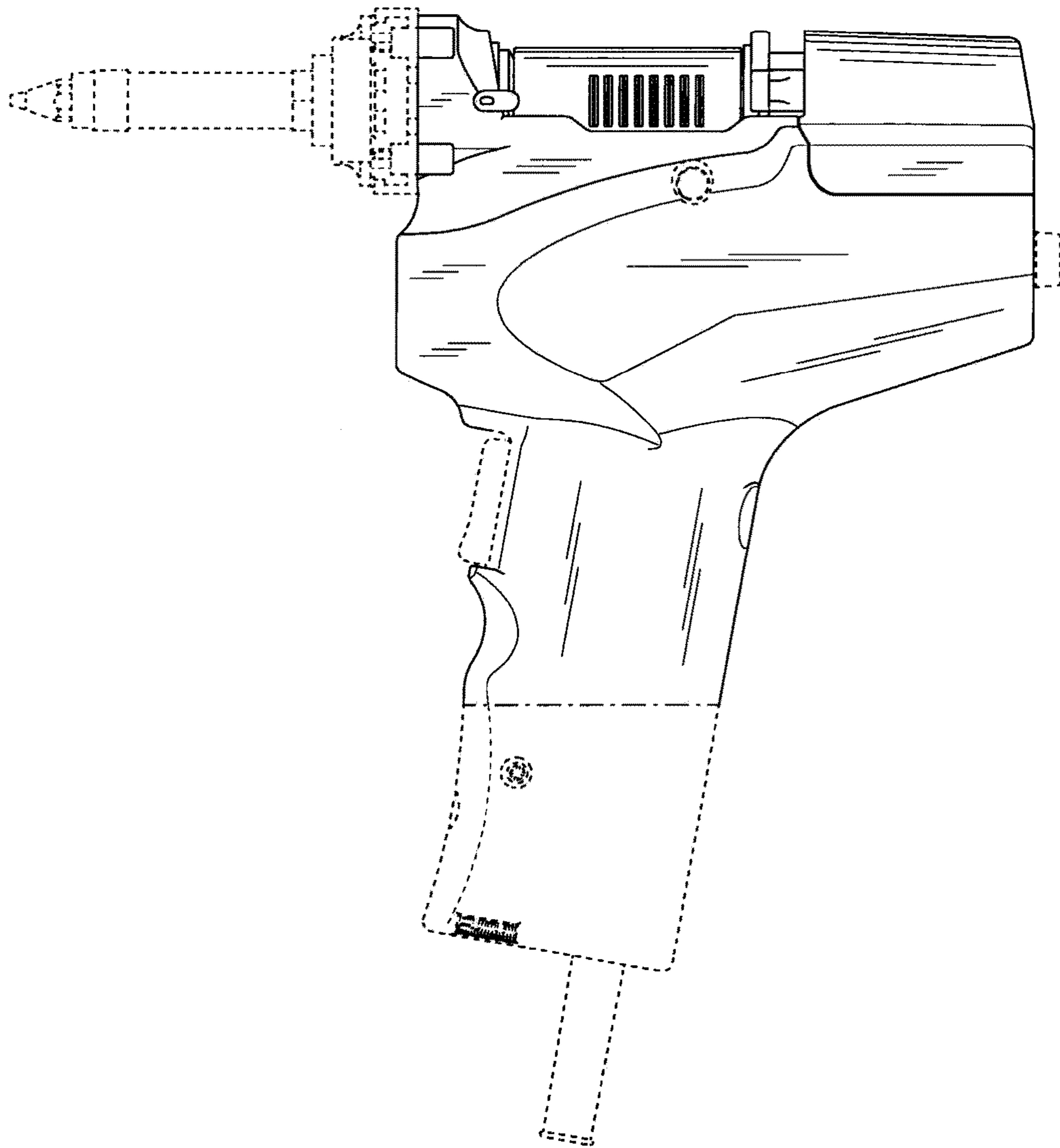


FIG.3

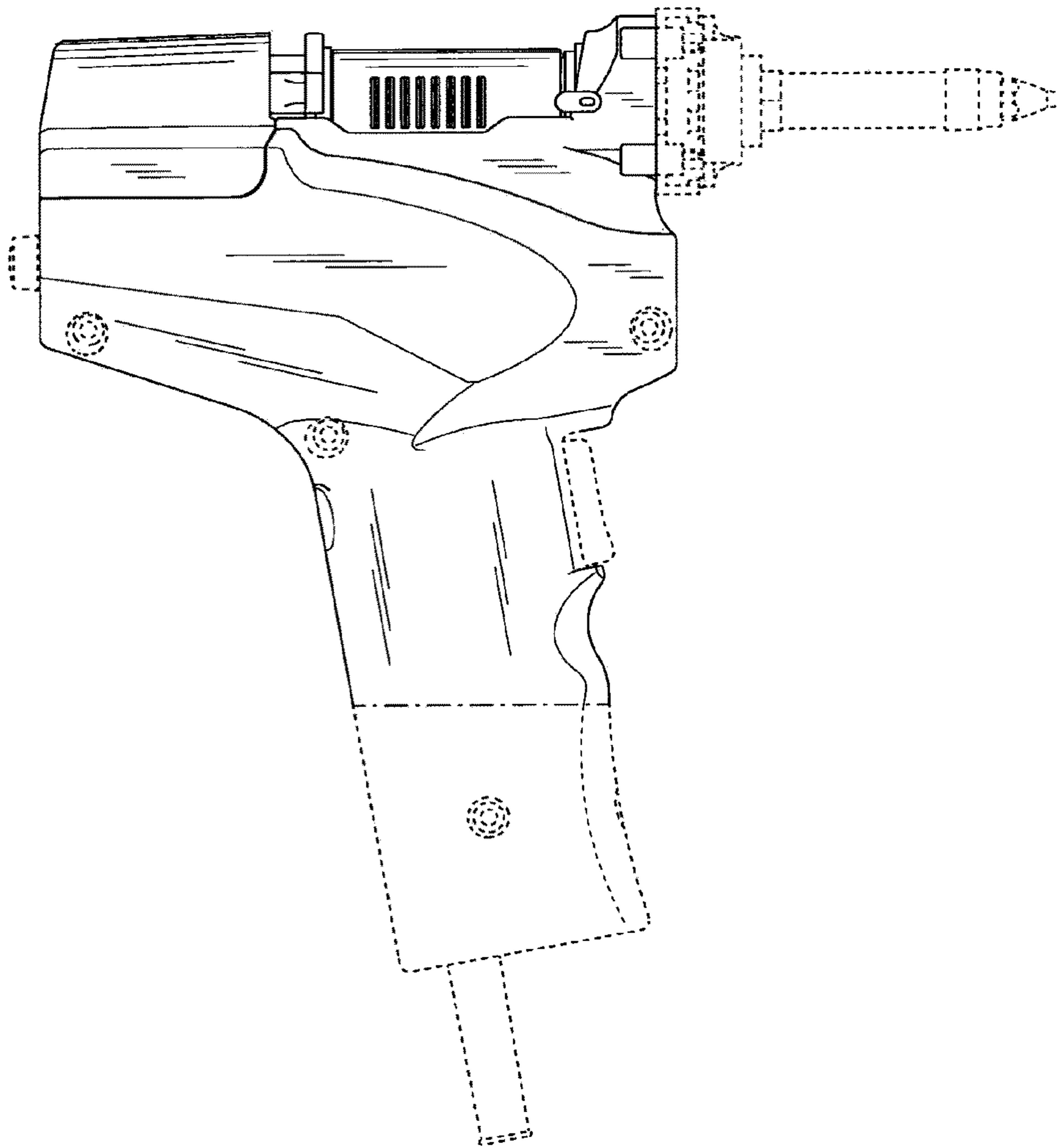


FIG.4

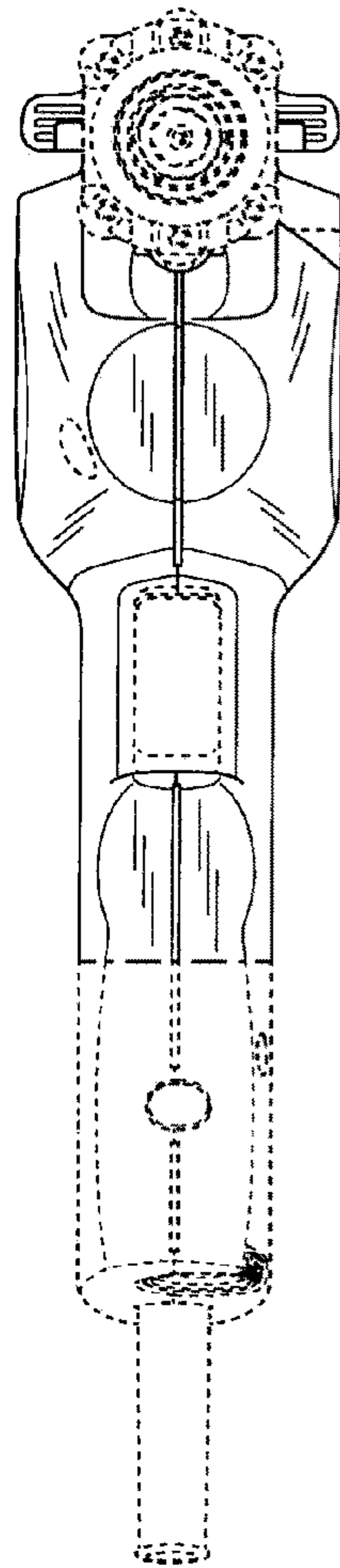


FIG. 5

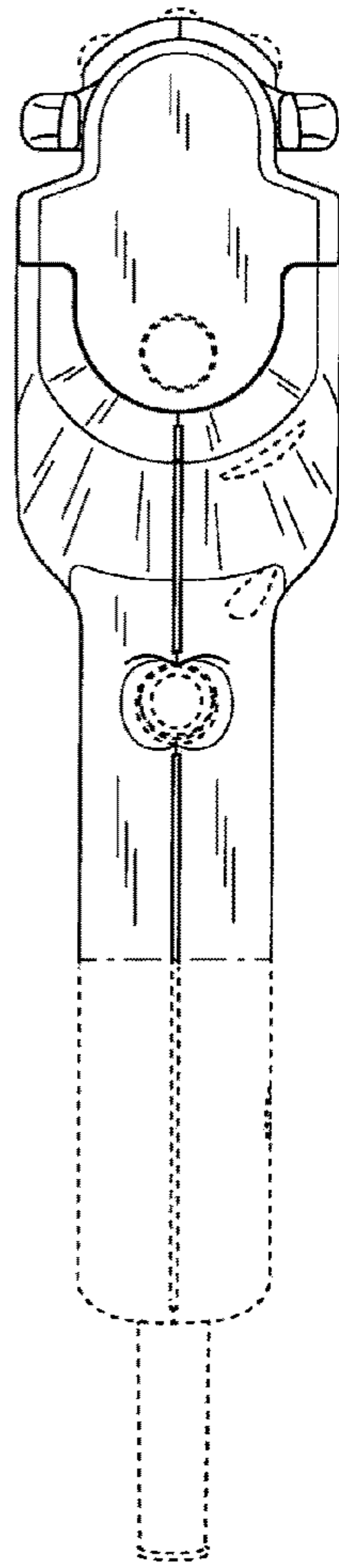


FIG. 6

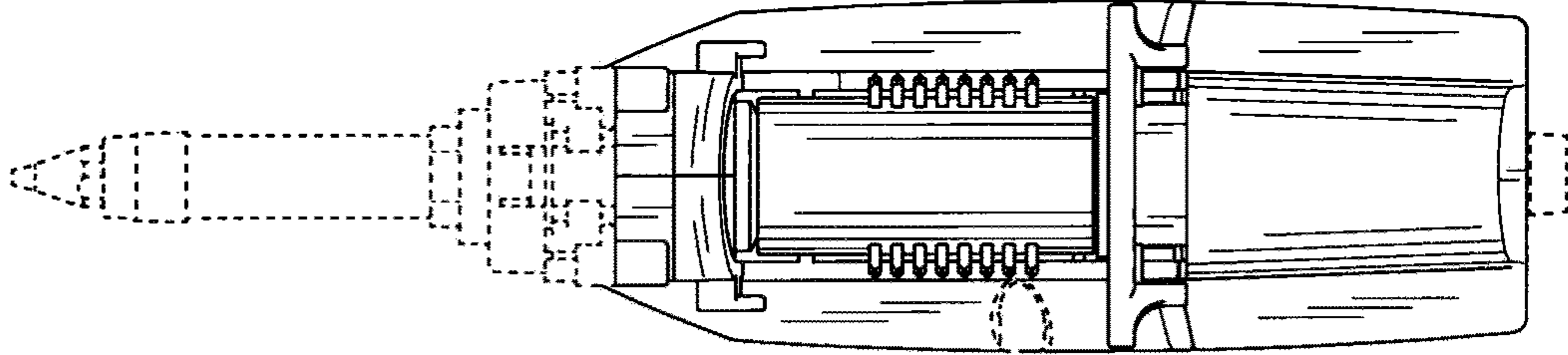


FIG. 7

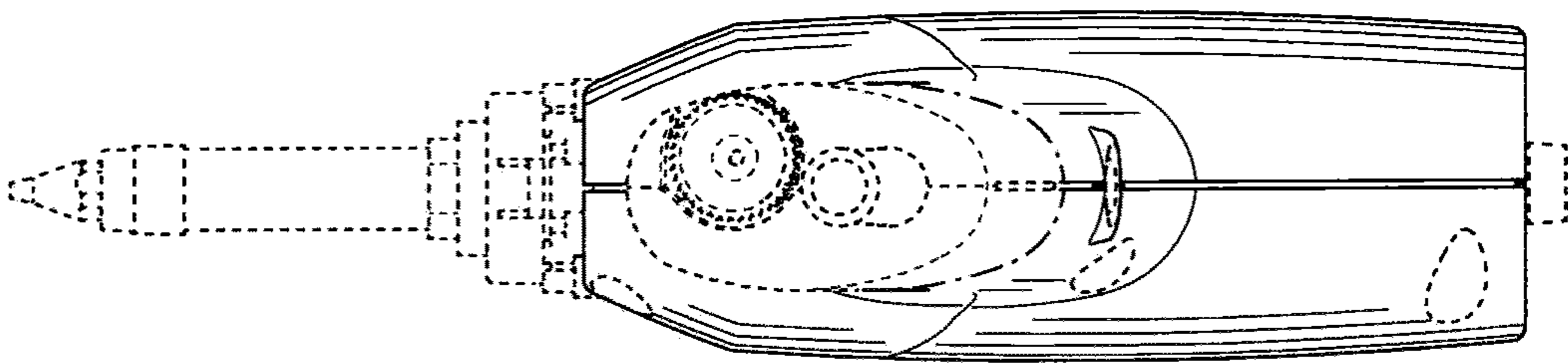


FIG. 8