



US00D740089S

(12) **United States Design Patent**
Guo et al.

(10) **Patent No.:** **US D740,089 S**
(45) **Date of Patent:** **** Oct. 6, 2015**

- (54) **ELECTRIC GREASE GUN**
- (71) Applicants: **Kong Ling Guo**, Suzhou (CN); **Americo dos Santos**, Fort Mill, SC (US); **Terry C. Peters**, Concord, NC (US)
- (72) Inventors: **Kong Ling Guo**, Suzhou (CN); **Americo dos Santos**, Fort Mill, SC (US); **Terry C. Peters**, Concord, NC (US)
- (73) Assignee: **LINCOLN INDUSTRIAL CORPORATION**, St Louis, MO (US)

D523,303	S	*	6/2006	Amin	D8/14.1
7,249,695	B2	*	7/2007	Shew	222/333
D590,673	S	*	4/2009	Guo	D8/14.1
7,828,119	B1	*	11/2010	Schirado	184/105.2
8,528,782	B2	*	9/2013	Mergener et al.	222/37
D710,169	S	*	8/2014	Guo et al.	D8/61
D722,480	S	*	2/2015	Zhu et al.	D8/14.1
2006/0060426	A1	*	3/2006	Chen	184/105.2

* cited by examiner

Primary Examiner — Phillip S Hyder

(74) *Attorney, Agent, or Firm* — Mark Ussal; SKF USA Inc. Patent Dept.

(**) Term: **14 Years**

(57) **CLAIM**

We claim the ornamental design for an electric grease gun, as shown.

(21) Appl. No.: **29/471,718**

DESCRIPTION

(22) Filed: **Nov. 4, 2013**

(51) **LOC (10) Cl.** **08-05**

(52) **U.S. Cl.**
USPC **D8/14.1**

(58) **Field of Classification Search**
USPC D8/14.1, 61, 68, 14; 222/333, 263; 184/105.2
CPC F16N 3/12; F16N 3/02; F16N 5/02
See application file for complete search history.

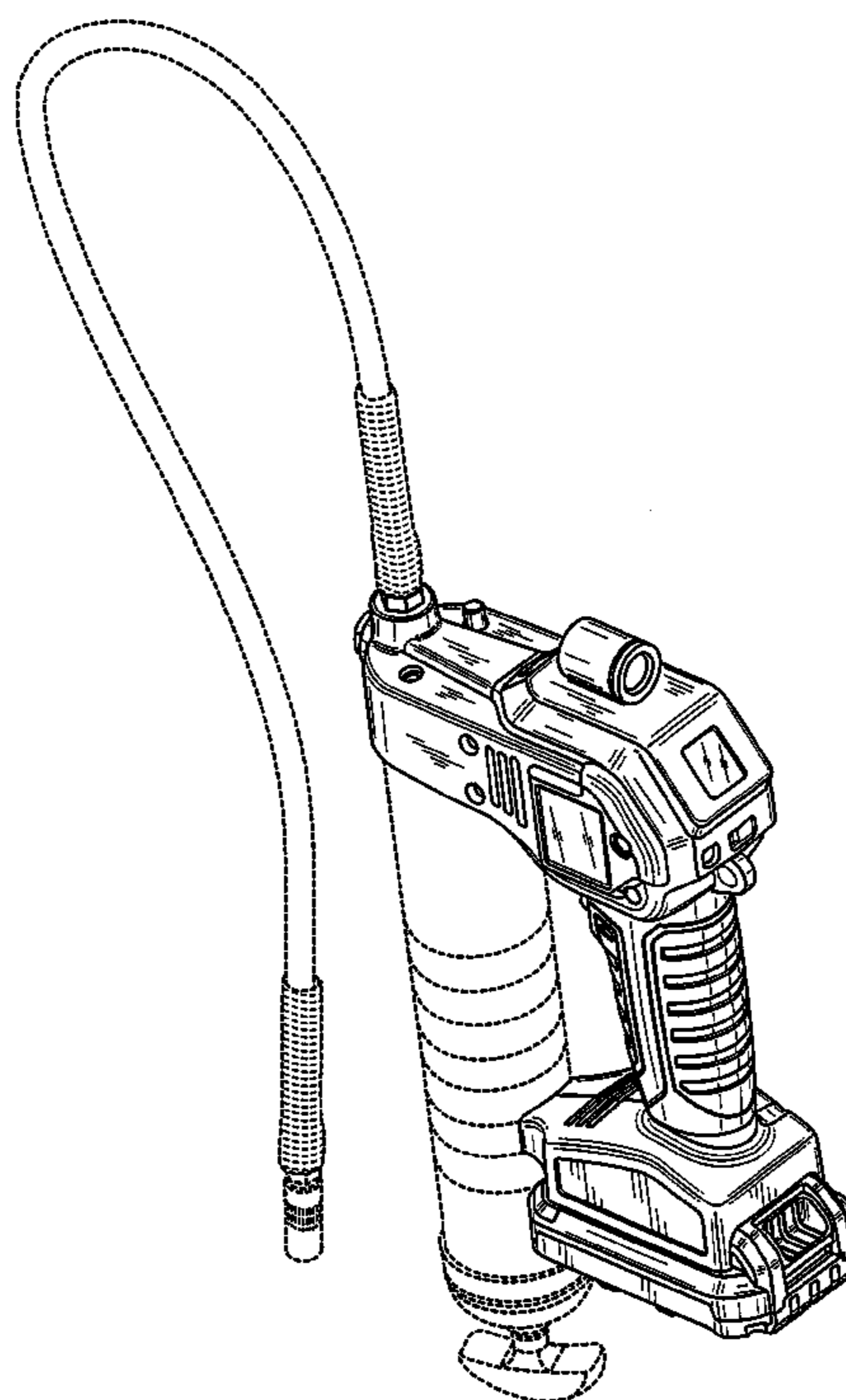
FIG. 1 is a perspective view of an electric grease gun showing our new design;
 FIG. 2 is a top plan view thereof;
 FIG. 3 is a bottom plan view thereof;
 FIG. 4 is a right side elevational view thereof;
 FIG. 5 is a left side elevational view thereof;
 FIG. 6 is a rear elevational view thereof;
 FIG. 7 is a front elevational view thereof; and,
 FIG. 8 is another front elevational view of the electric grease gun, shown without the cylinder and hose.
 The cylinder and hose are shown in broken line form since they depict portions of the electric grease gun in which the design is embodied that are not considered part of the claimed design.

(56) **References Cited**

U.S. PATENT DOCUMENTS

D409,059	S	*	5/1999	Wilson et al.	D8/14.1
D510,242	S	*	10/2005	Chen	D8/14.1
7,004,257	B2	*	2/2006	Simpson et al.	166/297
7,032,713	B2	*	4/2006	Huang et al.	184/105.2

1 Claim, 2 Drawing Sheets



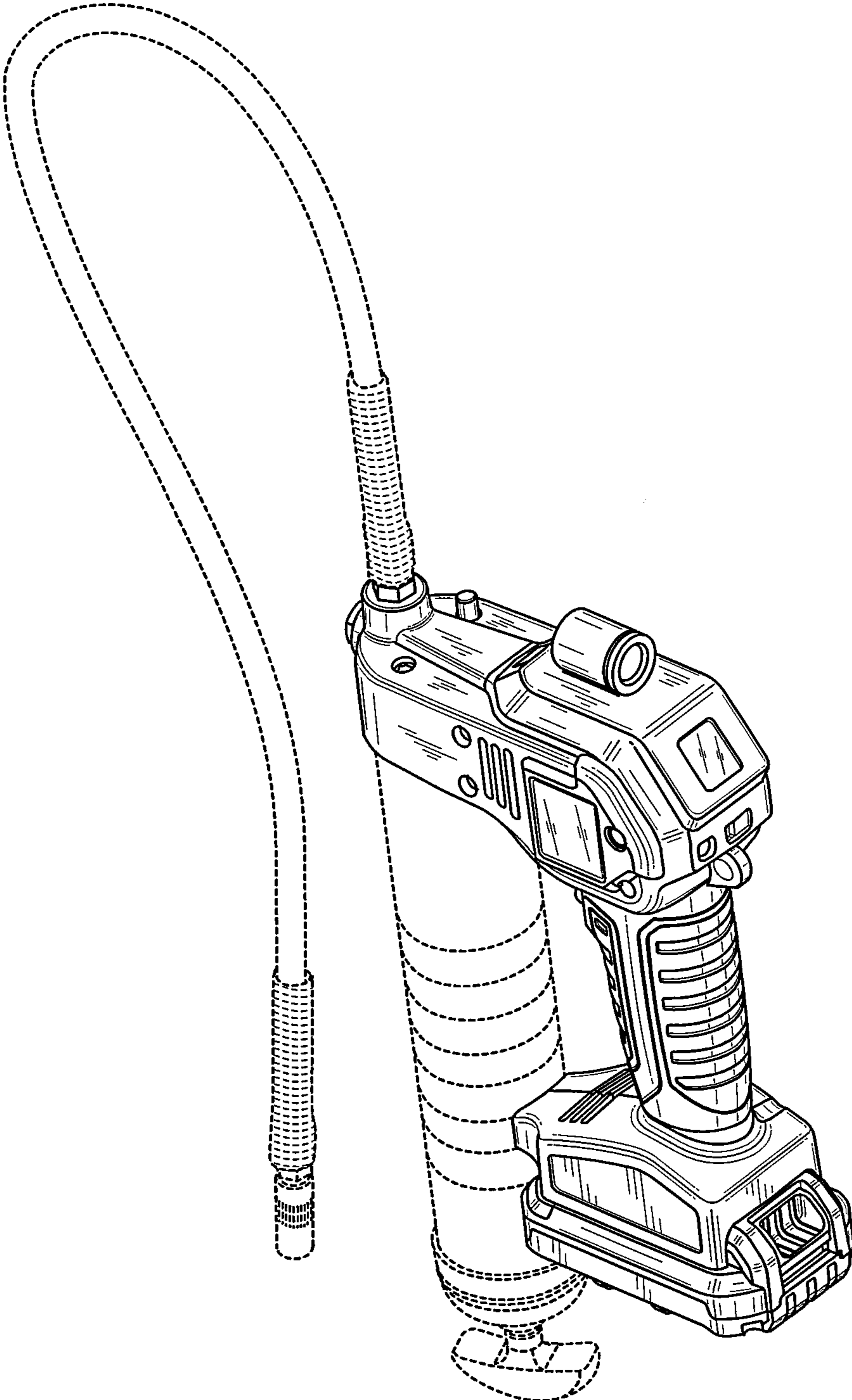


FIG. 1

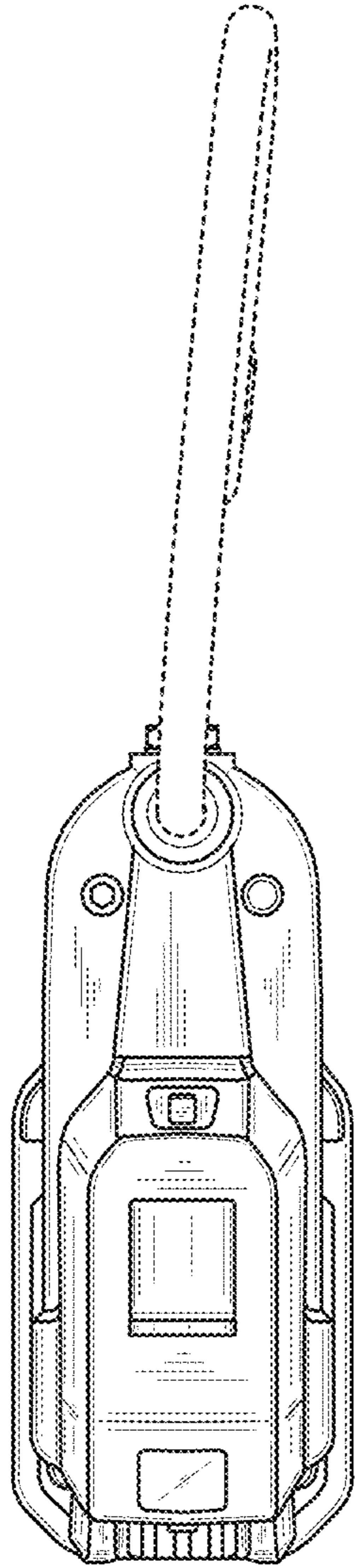


FIG. 2

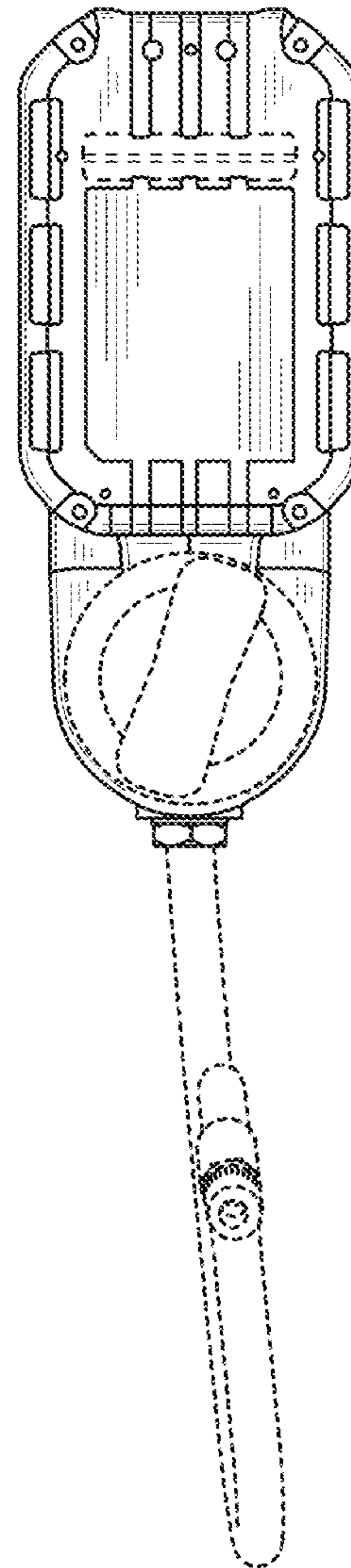


FIG. 3